

 Search with **Ctrl-F** (PC) or **Command-F** (Mac) to quickly find what you're looking for.



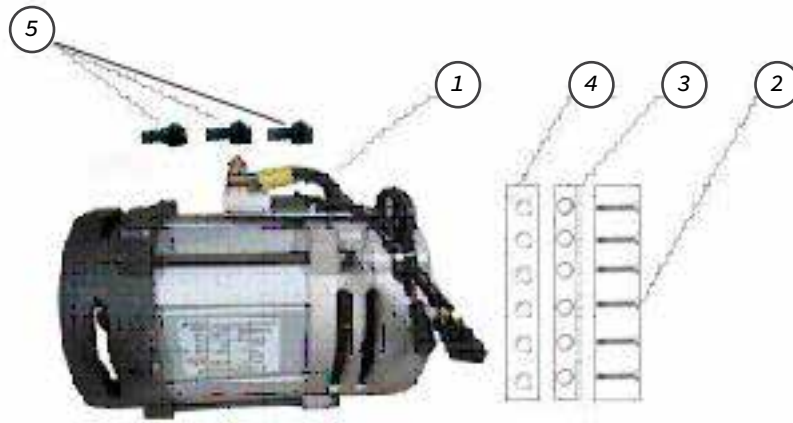
ACcel Parts Manual

ACcel 2-AC

Contents

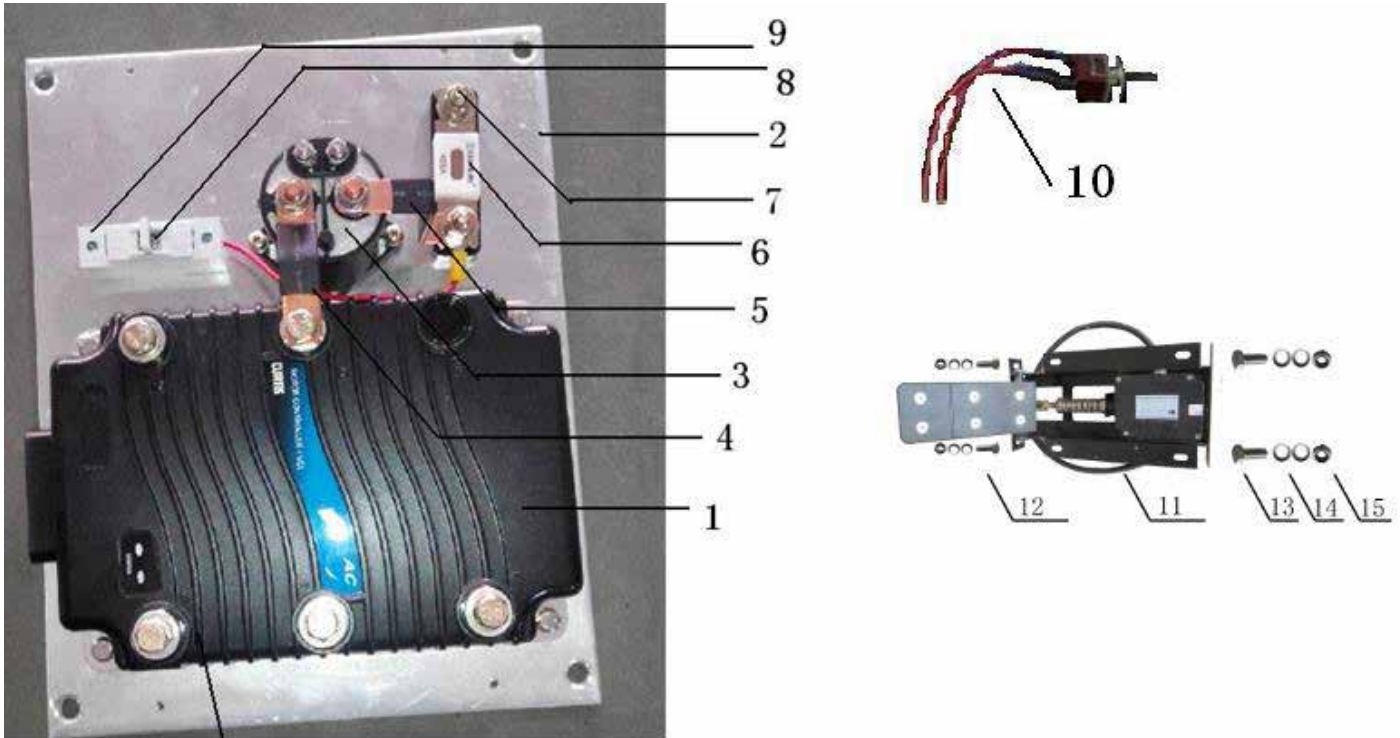
1	Motor Assembly	3
2	Controller	4
3	Rear Axle Assembly	5
4	Shock Absorber and Swing Frame Assembly	7
5	Spindle Assembly	8
6	Tire Assembly	10
7	Brake Assembly	11
8	Electric Parts	13
9	Chassis and Accessories Assembly	15
10	Body Cover Assembly	16
11	Door Assembly	18
12	Steering Assembly	19
13	Backrest Assembly	20
14	Windshield Wiper Assembly	21
15	DPI Charger	22

1 Motor Assembly



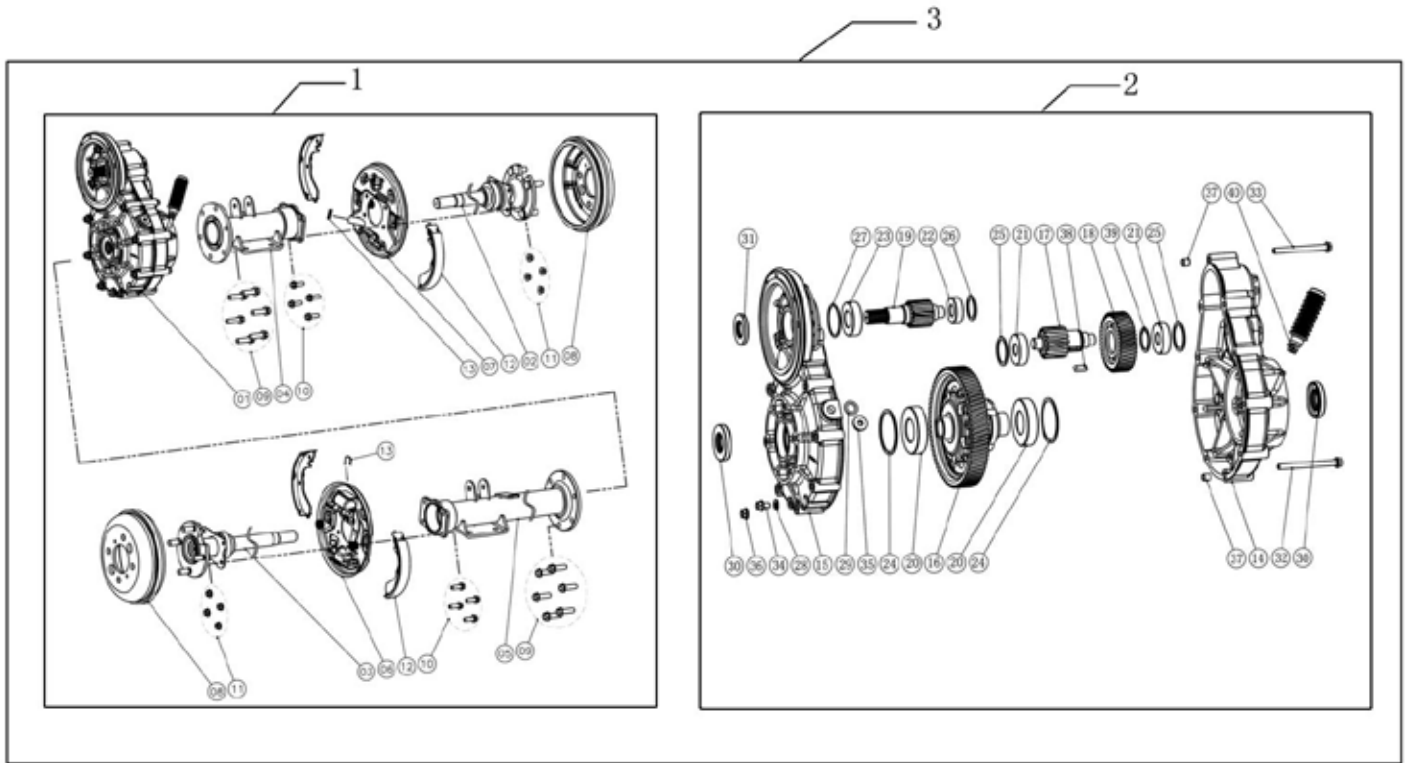
Item No.	STAR EV Part No.	Description	MPN	Qty
1	2MO330	AC motor	2101903004000	1
2	2MO331	Outer hexagon bolt	2200100024000	6
3		Spring washer	2200701010000	6
4		Flat washer	2200700015000	6
5	2BT402	Motor terminal cap (black)	2301902002000	3

2 Controller



Item No.	STAR EV Part No.	Description	MPN	Qty
1	2CN100	AC controller	2101700015000	1
2		Heating panel	2209200002S00	1
3		DC contactor	2102300013000	1
4		Copper connector assemblies	2209100004S10	1
5				
6	2FU170	Main fuse	2102601010000	1
7		Base for fuse	2102603005000	1
8	2FU150	Fuse	1005410-001	1
9		Fuse holder	2303400009000	1
10	2SW500	Trailer switch	2101400050000	1
11	2AC200	Accelerator	2102000003000	1
12		Hexagon bolt	2200100200000	2
13		Outer hexagon bolt	2200100259000	2
14		Flat washer	2200700021000	4
15		Nonmetal insert hexagon lock nut	2200401003000	2

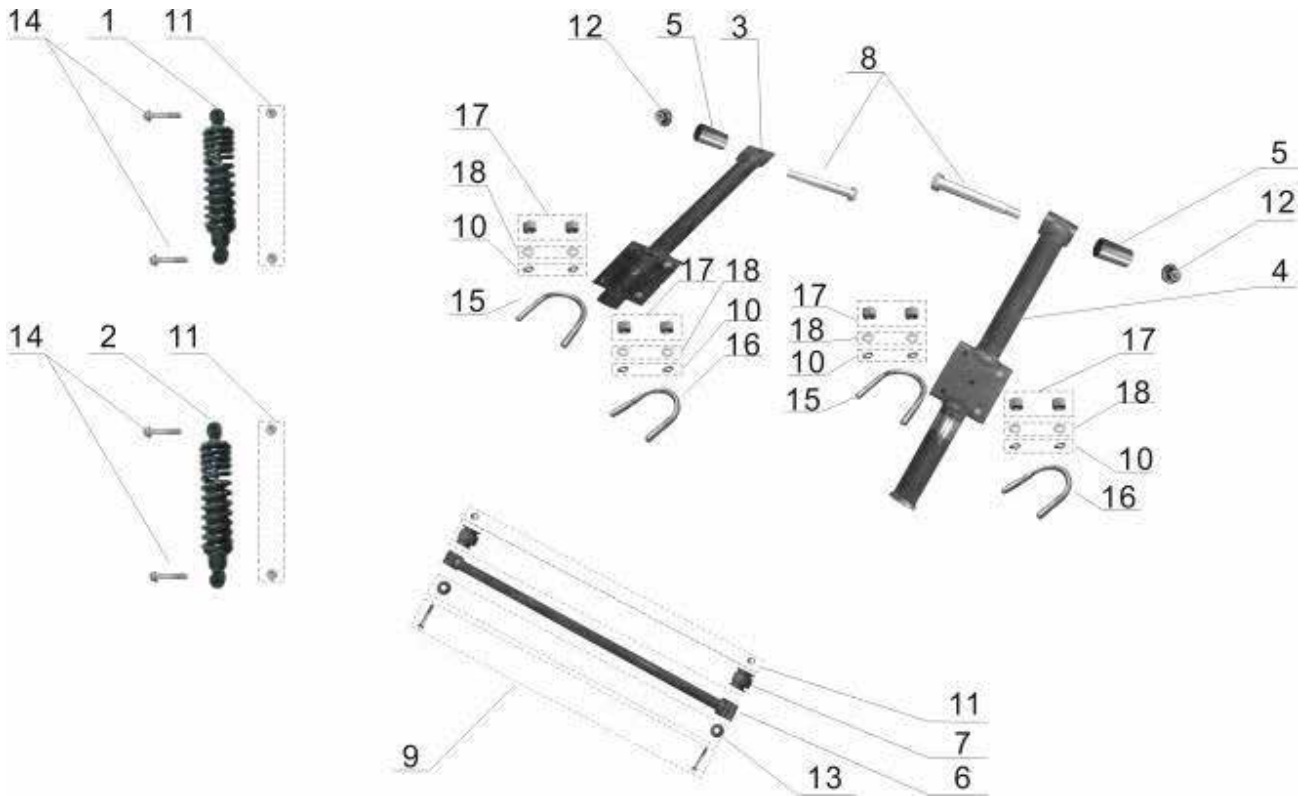
3 Rear Axle Assembly



Item No.	STAR EV Part No.	Description	MPN	Qty
1	2RR230	Gear box assembly	2204100029000	1
2	2AX245	Semiasis assembly 353	2201803038000	1
3	2AX240	Semiasis assembly 603	2201803039000	1
4	2AX246	Semiasis sleeve assembly 220.2	2209400039000	1
5	2AX241	Semiasis sleeve assembly 470.2	2209400040000	1
6		Hydraulic brake back plate L	2207100001000	1
7		Hydraulic brake back plate R	2207100002000	1
8	2DM070	Rear brake drum	2902700582000	2
9		Hexagonal head screw M10*P1.25*35L	2200301099000	12
10		Hexagonal head screw M8*P1.25*25L	2200301100000	8
11		Shrapnel nut	2200501001000	8
12	2SH010	Brake shoe	2201103001000	4
13	2BM250	Brake cable clip	2207901020000	2
14		Gear box side cover set	2401011801000	1
15		Gear box cover noumenon	2401011802000	1
16		Planet carrier&70T assembly	2401011803000	1
17		Spiral gear 15T	2304301009000	1
18		Spiral gear 42T	2304301010000	1
19		Spiral gear 16T	2304301011000	1
20		Deep groove ball bearing NO.6207	2201200123000	2
21		Deep groove ball bearing NO.6303	2201200124000	2
22		Deep groove ball bearing NO.6203	2201200125000	1
23		Deep groove ball bearing NO.6205	2201200126000	1

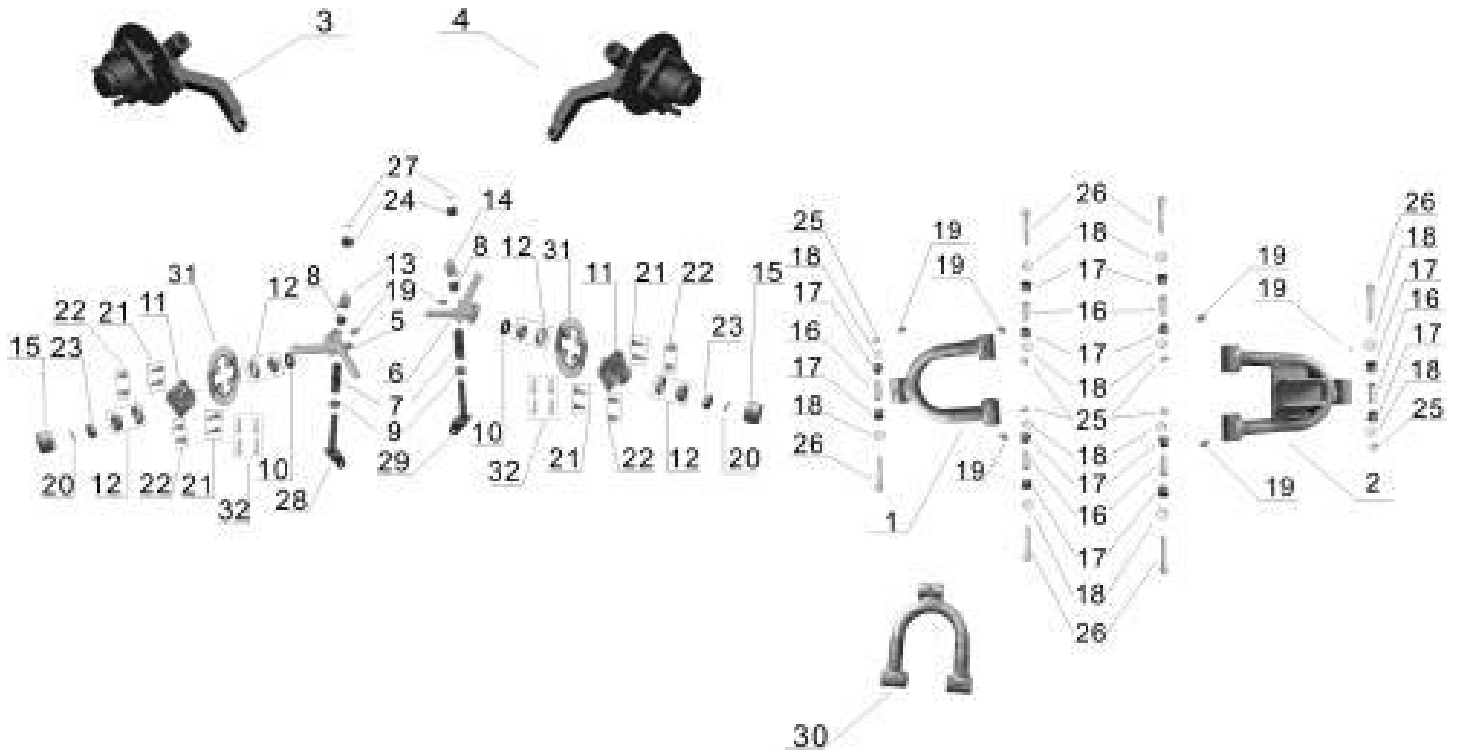
24		Washer $\Phi 61 \times \Phi 69 \times 1.5t(S)$	2200703044000	2
25		Washer $\Phi 36 \times \Phi 44 \times 1.5t(S)$	2200703045000	2
26		Washer $\Phi 32 \times \Phi 40 \times 1.0t(S)$	2200703046000	1
27		Washer $\Phi 45 \times \Phi 51 \times 1.5t(S)$	2200703047000	1
28		Washer $\Phi 8.2 \times \Phi 16 \times 2.0t(W)$	2200703048000	1
29		Washer $\Phi 14.5 \times \Phi 22 \times 1.0t(W)$	2200703049000	1
30		Oil seal TC $\Phi 28 \times \Phi 55 \times 9h$	2301300023000	2
31		Oil seal TC $\Phi 25 \times \Phi 47 \times 6h$	2301300024000	1
32		Hexagonal head screw M8*P1.25*100L	2200301101000	7
33		Hexagonal head screw M8*P1.25*90L	2200301102000	3
34		Hexagonal head screw M8*P1.25*12L	2200301103000	1
35		Thin Allen M14*P1.25	2200301104000	1
36		Hexagonal head nut M8*P1.25	2200301105000	10
37		Locating bush $\Phi 8.2 \times \Phi 10 \times 12L$	2202100200000	2
38		Parallel key	2206100087000	2
39		C retaining ring	2207900022000	1
40		Hosepipe set	2300500028000	1
41	2RE100	Rear axle assembly 12.25:1	2204400017S00	1
n/a	2CY301	Rear wheel cylinder	2204300042000	2

4 Shock Absorber and Swing Frame Assembly



Item No.	STAR EV Part No.	Description	MPN	Qty
1	2SC080	Front shock absorber	2205300006000	2
2	2SK250	Rear shock absorber	2205300007000	2
3		Black rear swing frame (LH)	2207200147S00	1
4		Black rear swing frame (RH)	2207200148S00	1
5	2BS230	Buffering sleeve, rear swing frame	2202100025000	2
6		Anti-roll bar (Black)	2204900010000	1
7	2BS220	Buffering gasket, anti-roll bar	2301900040000	2
8		Fixing bolt, rear swing frame	2200103011000	2
9		Hex-Head Flange Bolt M10X60X1.25	2200102023000	2
10		Lock washer Φ10	2200701014000	8
11		Self-locking nut M10x1.25	2200404002000	10
12		Self-locking nut M12x1.25	2200404003000	2
13		Big flat washer Φ10	2200703001000	2
14		Hex-Head Flange Bolt M10X55X1.25	2200102014000	8
15		U-shape bolt (flat)	2200104015S00	2
16		U-shape bolt (bent)	2200104016S00	2
17		Thick nut M10*1.25	2200406004000	8
18		Flat washer Φ10	2200700025000	8

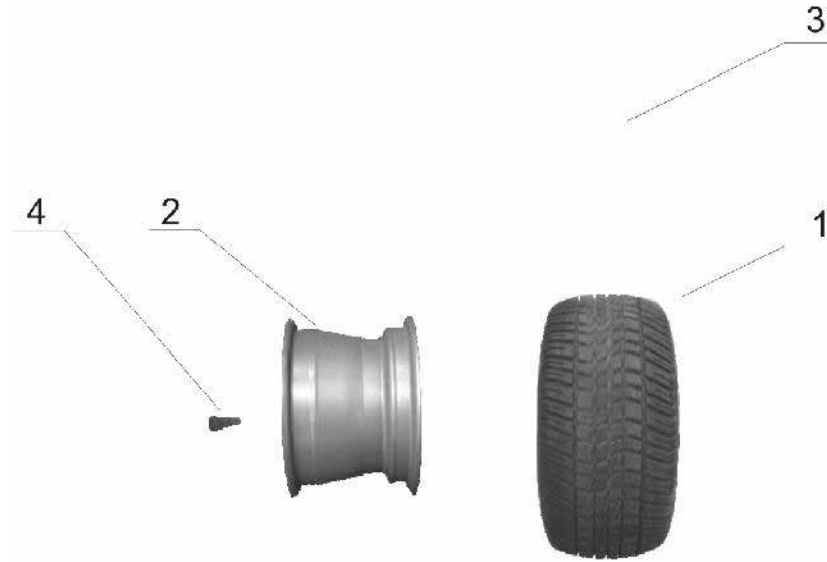
5 Spindle Assembly



Item No.	STAR EV Part No.	Description	MPN	Qty
1	2SC210	Upper swing arm, front axle (LH / driver side)	2204700035000	1
2	2SC212	Lower swing arm, front axle (driver or passenger side)	2204700011S00	2
3	2SP160	Spindle assembly, front axle (LH)	2201802011S00	1
4	2SP161	Spindle assembly, front axle (RH)	2201802012S00	1
5		Spindle (LH)	2201802052000	1
6		Spindle (RH)	2201802053000	1
7		Inner spacer, spindle	2202100163000	2
8		Inner bushing, spindle (top)	2202100002000	2
9		Inner bushing, spindle (bottom)	2202100003000	2
10		Oil seal	2301300031000	2
11		Connecting plate, front wheel	2208900022000	2
12		Taper bearing	2201200120000	4
13		Clevis, upper swing arm (LH)	2208607002S10	1
14		Clevis, upper swing arm (RH)	2208607003S10	1
15		Dustproof cover	2300806125000	2
16		Inner gasket, swing arm	2202100153000	12
17		Nylon gasket, swing arm	2301900107000	24
18		Dust cover, swing arm	2209000018000	24
19		Grease jet M6	2202500005000	14
20		Cotter pin	2200900020000	2
21		Screw, Connecting plate M12*1.25*25	2200103006000	8
22		Tire Nut	2200406003000	8

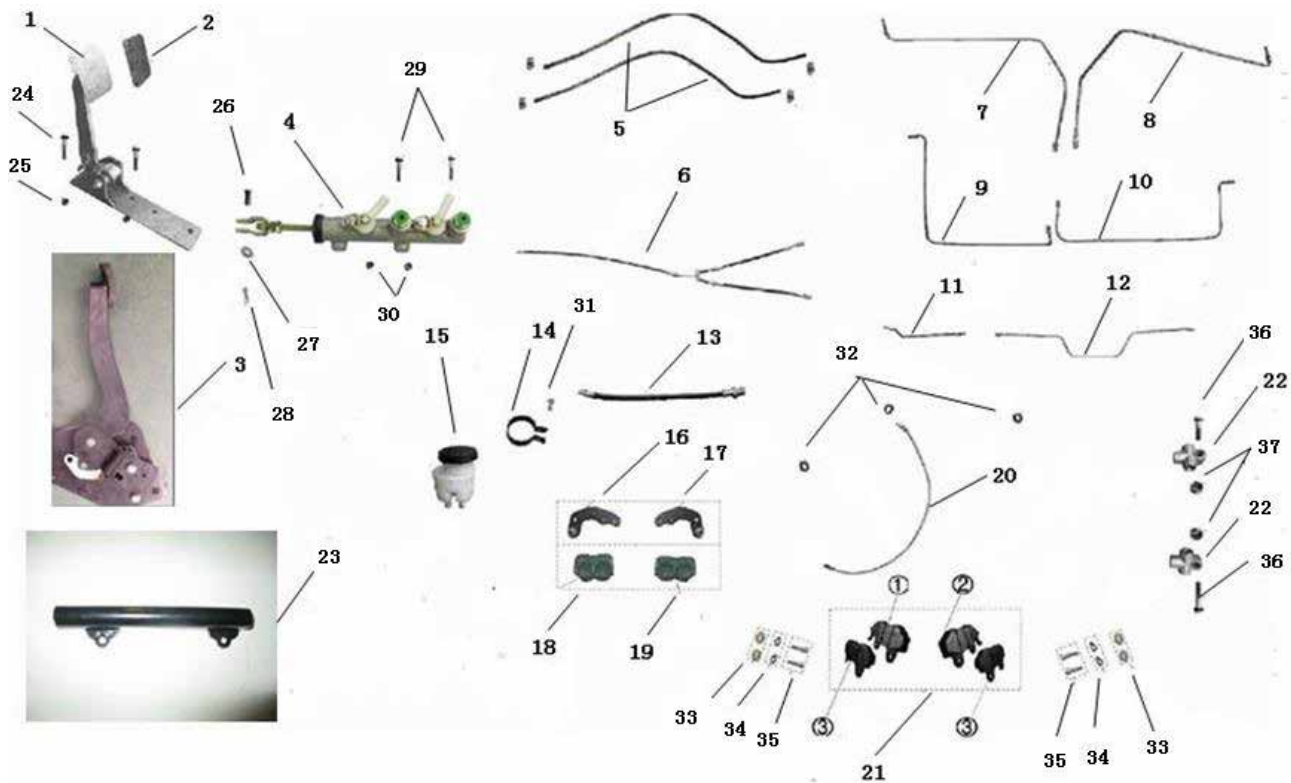
23		Hexagon slotted nut M24	2200403016000	2
24		Nut, slotted hex M16*1.5	2200403007000	2
25		self-locking nut M10*1.25	2200404002000	12
26		Hex-Head Flange Bolt M10*75*1.25	2200102015000	12
27		Cotter pin 3.2*32	2200900007000	2
28		Clevis, lower swing arm (LH)	2201804003S00	1
29		Clevis, lower swing arm (RH)	2201804004S00	1
30	2SC211	Upper swing arm, front axle (RH / passenger side)	2204700036000	1
31		Brake disc	2205200012000	2
32		Connecting bolt, disc brake	2200106001000	8

6 Tire Assembly



Item No.	STAR EV Part No.	Description	MPN	Qty
1		Tire	2301400005000	4
2	2RM908	Aluminum rim	2205100077000	4
3	2CC160	Center cap	2302400011000	4
4	2TR901	Valve	2205900004000	4

7 Brake Assembly

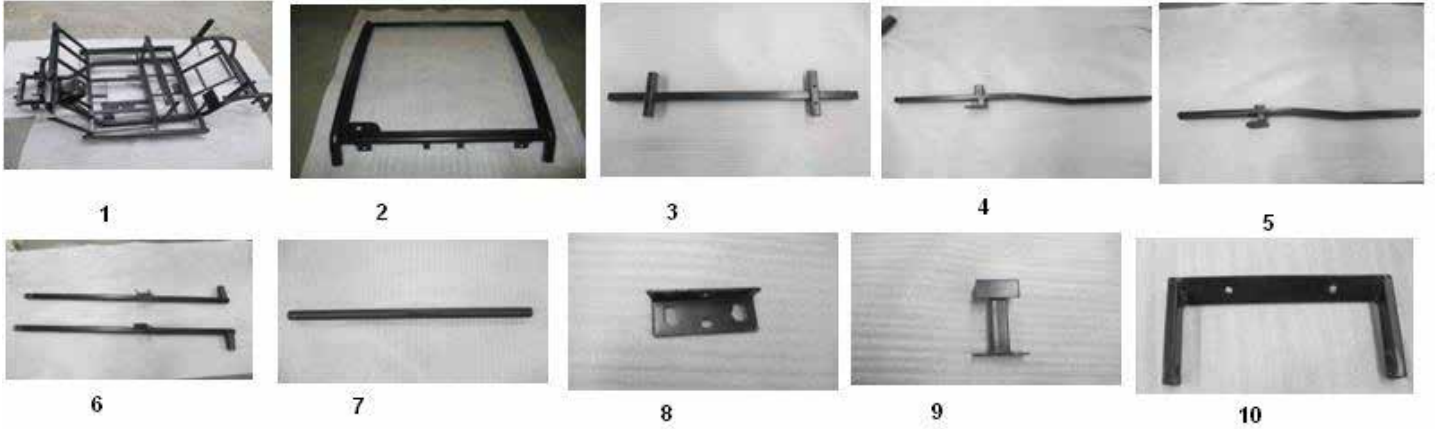


Item No.	STAR EV Part No.	Description	MPN	Qty
1	2PD070	Brake pedal assembly	2902700004000	1
2		Brake pedal rubber bush	2301900023000	1
3	2PB200	Parking pedal	2206200108A00	1
4	2MC020	Master cylinder assembly	2902700237000	1
5	2TB160	Oil cup pipeline	2300500004000	2
6	2CB600	Hand brake line assembly	2206900055A00	1
7		Front wheel braking iron tubing left	2206700005000	1
8		Front wheel braking iron tubing right	2206700006000	1
9		Brake iron tubing front end	2206700053000	1
10		Brake iron tubing middle piece	2206700054000	1
11		Brake iron tubing back end left	2206700055000	1
12		Brake iron tubing back end right	2206700004000	1
13	2TB162	Soft tubing assembly	2206700035000	1
14		Oil cup splint	2209100001000	1
15	2TB161	Fluid reservoir	2303300001000	1
16		Disc brake mounting base left	2208100107000	1
17		Disc brake mounting base right	2208100108000	1
18		Disc brake assembly left	2205500012000	1
19		Disc brake assembly right	2205500013000	1
20		Disc brake assembly tubing	2206700036000	2
21	2SH050	Disc brake block assembly	2205500014000	1
22	2TB060	Three direct links	2201704001000	2
23				1

24		Hexagon flange bolt M10*1.25X45	2200102016000	2
25		Self-locking nut M10X1.25	2200404002000	6
26		Pin roll	2200902007000	1
27		Flat washer	2200700021000	1
28		Cotter	2200900008000	2
29		Hexagon flange bolt M10X65X1.25	2200102017000	2
30		Self-locking nut M10X1.25	2200404002000	6
31		Cross recess pan head screw	2200304053000	2
32		Fine thread thin hexagonal nut	2200400024000	3
33		Flat washer Φ8	2200700021000	5
34		Spring washer	2200701012000	4
35		Hexagon socket cap screws M8X25	2200300013000	4
36		Hexagon flange bolts M10X35X1.25	2200102013000	2
37		Self-locking nut M10X1.25	2200404002000	6
38	2SH013	Rear Shoe for Accel that has front disc brakes only	2204500005000	1

13	2SW170	Hazard warning switch	2101400035000	1
14		High performance switch	2101400007000	1
15	2WH080	Leader cable	2901703004000	1
16	2LT265	Headlight assembly	2901800056A00	2
16-A	2LB120	Headlight bulb	2100705008000	2
17	2LT260	High-mount brake light assembly	2901800044A00	1
18	2LT710	Tail light assembly	2901800057A00	1
18-A	2LB119	Tail light bulb	2100705004000	2
19	2LT270	Turn light assembly	2901800067A00	2
	2LB118	Turn light bulb	2100705014000	2
20	2SW330	Buzzer	2101602003000	1
21		Controller waterproof cover	2300806004000	2
22		Controller waterproof rubber cover	2300806079000	5
23		Controller positive/negative cable	2901701003S10	5
24		Side light assembly	2901800042A00	2
25		Rear side light assembly	2206900059A00	2
26		Motor connecting line	2901706008S00	3
27		Data patch cord	2901711070A00	1
28		Control harness	2901705005S40	1
29		Battery connecting cable	2901700137A00	1
30		Charging socket assembly	2902300016A00	1
31	2SW210	Horn	2101600001000	1
32	2SW520	Parking and brake switch	2902100012S10	1
33		Battery	2100101017000	6
34	2BT402	Battery cap black	2301902002000	6
35	2BT404	Battery cap red	2301902001000	6
36	2FU165	Fuse box	2300901020000	1

9 Chassis and Accessories Assembly



Item No.	STAR EV Part No.	Description	MPN	Qty
1		Chassis	2207400105A10	1
2	2WS270	Windshield frame	2207200385A10	1
3		Back rest	2207200381A00	1
4	2BK700	Roof rear bracket left	2207200383A20	1
5	2BK701	Roof rear bracket right	2207200384A20	1
6	2UB010	Roof frame right	2207200382A20	1
	2UB000	Roof frame left	2207201044A00	1
7		Roof frame connecting pipe	2208400287A10	1
8		Windshield soleplate	2208100074A00	2
9		Body position limiter	2207200743A00	2
10		Front bumper mounting bracket	2207200744A00	1

10 Body Cover Assembly



1



2



3



4



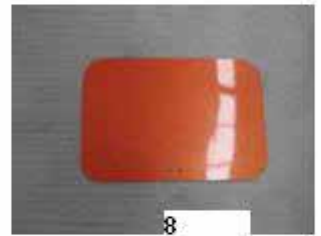
5



6



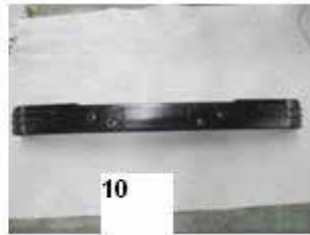
7



8



9



10



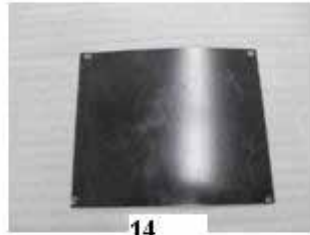
11



12



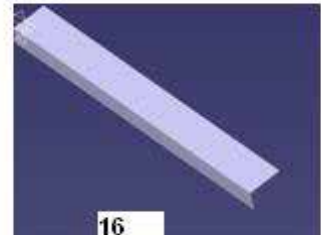
13



14



15



16



17



18



19

20



21



22



23



24



25

Item No.	STAR EV Part No.	Description	MPN	Qty
1	2BO750	Body	2401101250A10	1
2	2DB040	Dashboard	2400900705A10	1
3	2TK180	Trunk cover	2401008701000	1
4	2FN000	Left fender	2302305305000	1
5	2FN010	Right fender	2302305306000	1
6		Tail trunk	2401008800A20	1
7		Battery protecting plate	2401009000A00	1
8		Motor protecting plate	2300806072A20	1
9		Windshield base	2401009806000	1
10	2BR560	Rear bumper	2401009300A10	1
11	2BU030	Front bumper	2301800015A00	1
12	2RF700	Roof	2302502200A00	1
13		Steering column cover	2300407709A10	1
14		Dashboard protecting cover plate	2300400123A10	1
15	2WS290	Windshield glass	2400700044A00	1
16		Guard bar	2302606001A00	2
17		Combination switch front cover	2300800086A00	1
18		Combination switch rear cover	2300800087A00	1
19	2SV020	Sun shield right	2207300037000	1
20	2SV010	Sun shield left	2207300036000	1
21	2CP040	Cup holder	2303301006000	1
22	2BT023	Battery briquetting	2303400002000	2
23	2BT330	Battery box rubber seal	2301906018000	2
24	2MR300	Left rearview mirror assembly	2902700016000	1
25	2MR360	Right rearview mirror assembly	2902700017000	1

11 Door Assembly

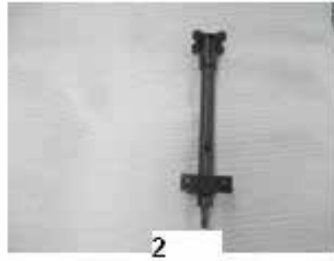


Item No.	STAR EV Part No.	Description	MPN	Qty
1	2DO250	Door (LH)	2401009400A00	1
2	2DO260	Door (RH)	2401009600A00	1
3		Door lock box (left)	2208700011A00	1
4		Door lock box (right)	2208700012A00	1
5		Door hinge (left)	2202400050A00	2
6		Door hinge (right)	2202400051A00	2
7		Door lock left)	2202000035000	1
8		Door lock (right)	2202000023000	1
9		Door key cylinder	2202000026A10	2
10		Door lock bin	2202000009000	2
11		Door handle	2201900001000	2
12	2TK030	Tuck net	2501403002000	2

12 Steering Assembly



1



2



3



4

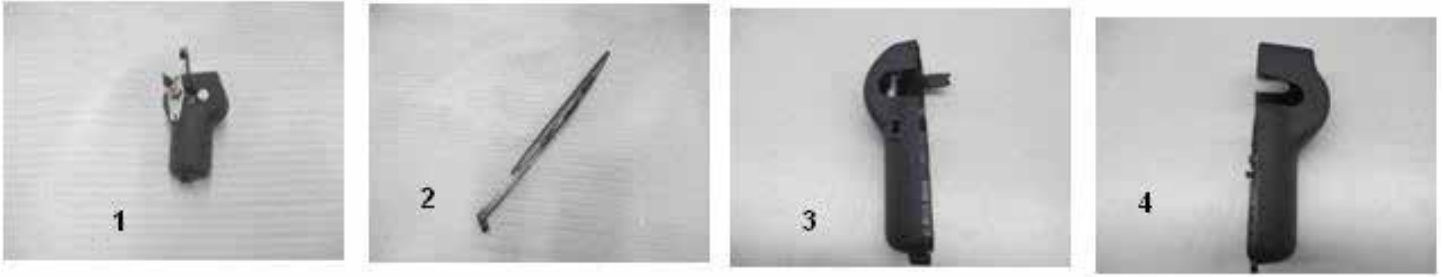
Item No.	STAR EV Part No.	Description	MPN	Qty
1	2ST550	Steering track assembly	2207800003000	1
2	2ST120	Steering column assembly	2205600011A00	1
3	2SL030	Steering wheel	2207700020000	1
4	2ST230	Compound steering joint assembly	2206000005B00	1

13 Backrest Assembly



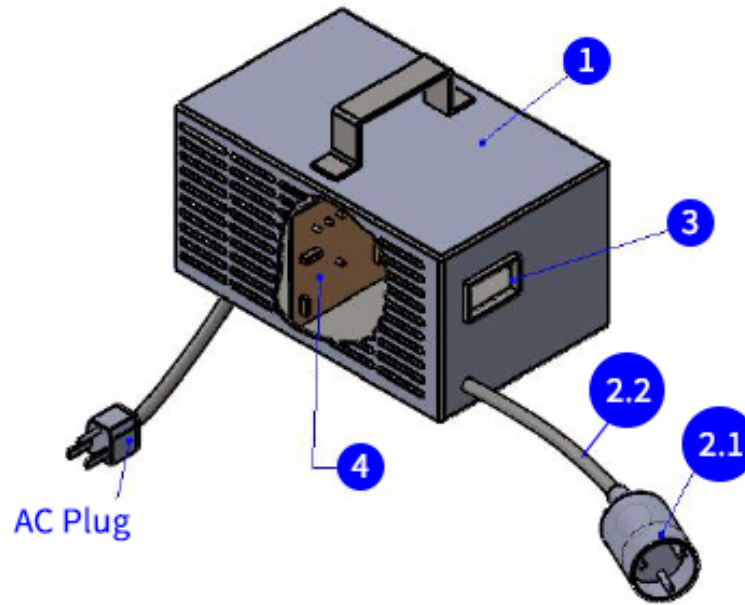
Item No.	STAR EV Part No.	Description	MPN	Qty
1	2CS500	Backrest	2501504002000	2
2	2CS470	Cushion	2501500050A00	1
3	2HG020	Hinge (female)	2202400058A00	2
4	2HG030	Hinge (male)	2202400016C00	2
5	2SB030	Seat belt	2501304006000	1

14 Windshield Wiper Assembly



Item No.	STAR EV Part No.	Description	MPN	Qty
1	2WP060	Windscreen wiper motor	2101902005000	1
2	2WP020	Windscreen wiper arm assembly	2303600001000	1
3	2WP110	Windscreen wiper upper cover	2300806017000	1
4		Windscreen wiper lower cover	2300806018000	1

15 DPI Charger



Item No.	Star EV Part No.	Description	Remark	Qty
1	2CH048	DPI 48 V charger, 120 V		1
	2CH481	DPI 48 V charger, 220 V	220 V, 50 Hz	
2.1	2PG148	DPI male plug ONLY, black, Gen. IV		1
2.1 + 2.2	2CR048	9 ft DC 48 V output cord with black plug, Gen. IV		1
	2CR480	9 ft DC 48 V output cord with black plug, Gen. III and earlier		
3	2MT240	DPI charger AMP meter		1
4	2BI480	DPI control board, 48 V, 110 V	110 V, 60 Hz	1
	2BI481	DPI control board, 48 V, 220 V	220 V, 50 Hz	
	2BI148	DPI board kit for 48 V charger, no relay, Gen. IV		
AC Plug	2CR120	120 V AC input cord for Gen. IV charger	IPCJ0038-L001830	1
	2CR230	230 V AC input cord for Gen. IV charger	IPCJ0039-L001830	