

 Search with **Ctrl-F** (PC) or **Command-F** (Mac) to quickly find what you're looking for.



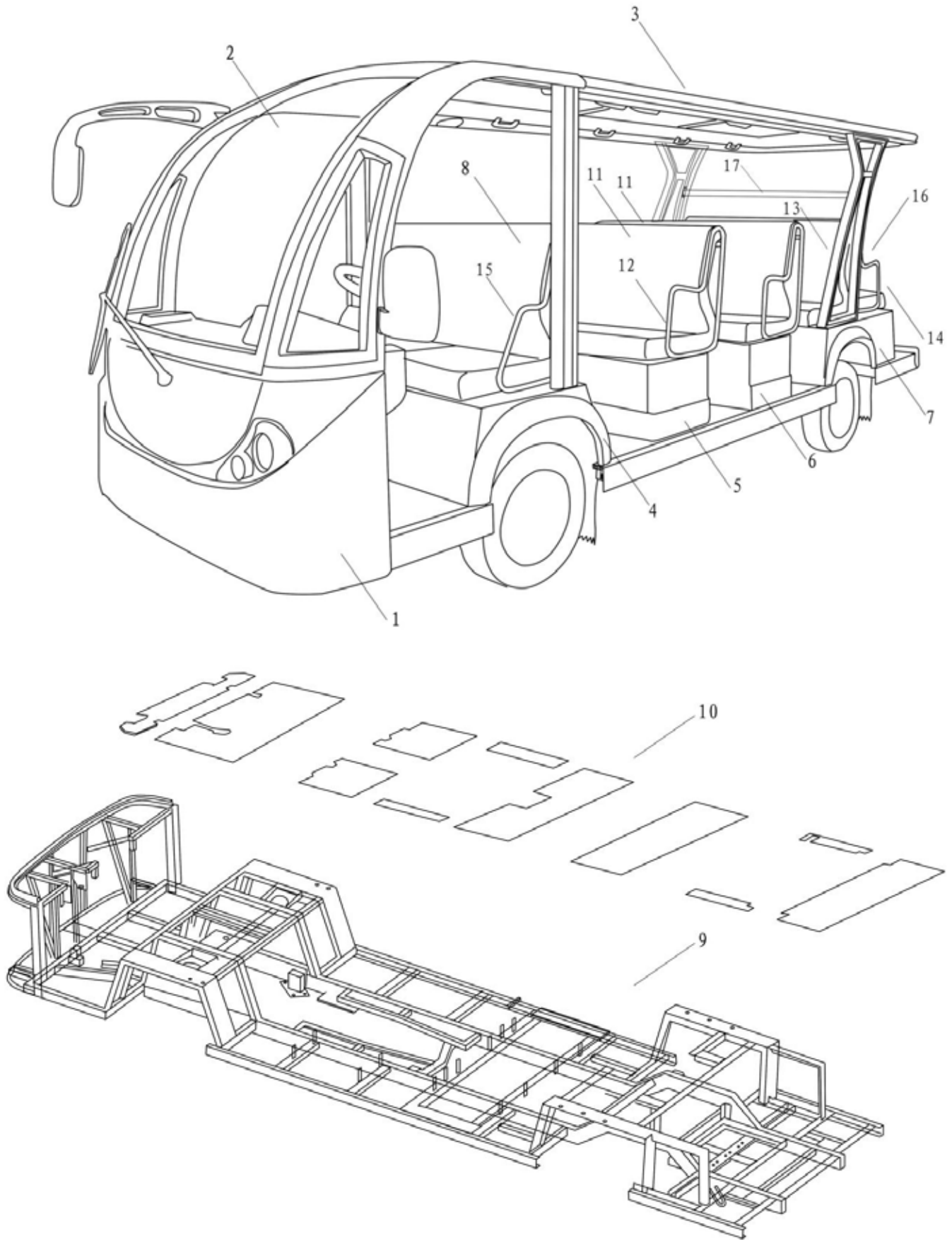
## Deluxe Bus Parts Manual

### **BN72-08, BN72-11, BN72-14, BN48-11, and BN48-14**

# Contents

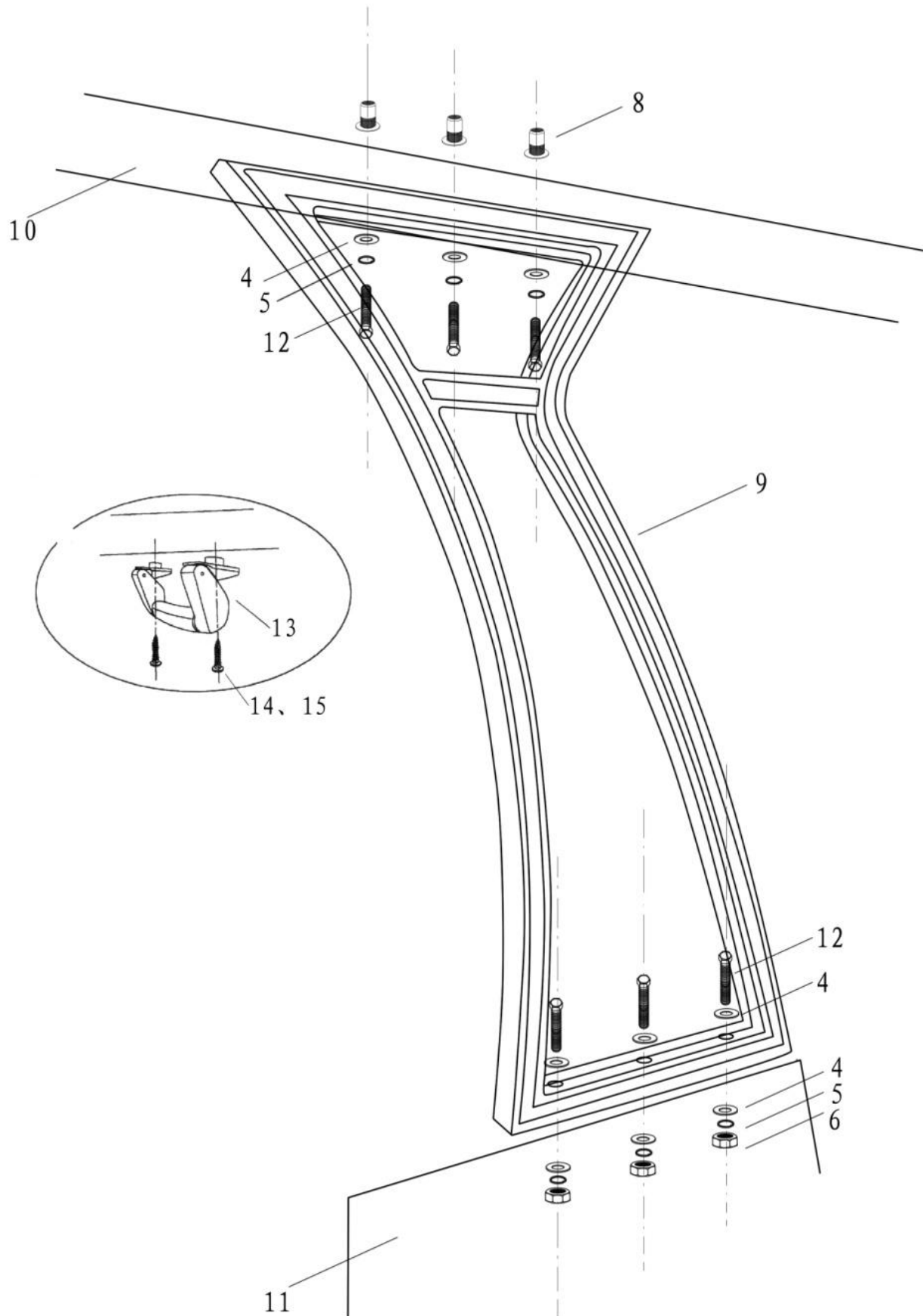
1-1	Body, Frame Assembly	3	6-1	Front Suspension	51
1-2	Strut, Roof Handle	5	6-2	Front Suspension Frame	53
1-3	Mudguard, Side Guard Plate	7	6-3	Rear Suspension	55
1-4	Windshield	9			
1-5	Front Cover	10	7-1	Half Shaft, Rear Axle House	57
1-6	Dashboard and Controls	11	7-2	Differential Assembly	58
1-7	Roof	13			
1-8	Seat and Bracket	14	8-1	Wheel and Tire	60
1-9	Seat Base	17		Steel Wheel and Tire	60
1-10	Rear Parts	18		Aluminum Wheel and Tire	61
1-11	Side Rear View Mirror	19			
			9-1	Front Turn Signal, Headlight, Fog Light	62
2-1	Motor Assembly	21	9-2	Taillight	63
	72 V, 5 kW Series Motor	21	9-3	Harness	65
	48 V, 5 kW Series Motor	22	9-4	Battery and Battery Cable	66
	48 V, 5 kW Sepex Motor	23	9-5	Windshield Wiper Assembly	68
2-2	Power Train System	24	9-6	Meter, Start Key	69
			9-7	Radio, Combination Switch, Loudspeaker, Reverse Buzzer	70
3-1	Clutch and Control	25			
3-2	Clutch Cable	26	9-8	Electronic Controller Assembly	72
3-3	Gear Shifting Control	27		1209 Controller	72
3-4	Gear Box	29		1205 Controller	73
3-5	Transmission House	31		1244 Controller	75
3-6	Transmission Control	33	9-9	Charger	
3-7	Propeller Shaft Assembly	35		DPI Charger	76
				Delta-Q On-board Charger	77
4-1	Pitman Arm, Drag Link, Tie Rod	36	9-10	DC Converter	78
4-2	Steering Shaft Assembly	38			
4-3	Steering Gear Assembly	41	10-1	Automatic Drive Rear End Assembly	79
4-4	Steering Wheel Assembly	43	10-2	Automatic Drive Rear Axle Assembly	80
			10-3	Automatic Drive Main Reducer Assembly	81
5-1	Accelerator, Clutch, Brake Pedal, Bracket	44	10-4	Automatic Drive Differential Assembly	83
5-2	Reservoir Assembly and Brake Pipe	45			
5-3	Front Drum Brake Assembly	46	11-1	72V AC System, 7KW AC Motor	84
5-4	Rear Brake Assembly	48	11-2	72 V AC System, 1238 Controller	85
5-5	Parking Brake Handle	50	11-3	72 V AC System, 1238 Wire Harness	87

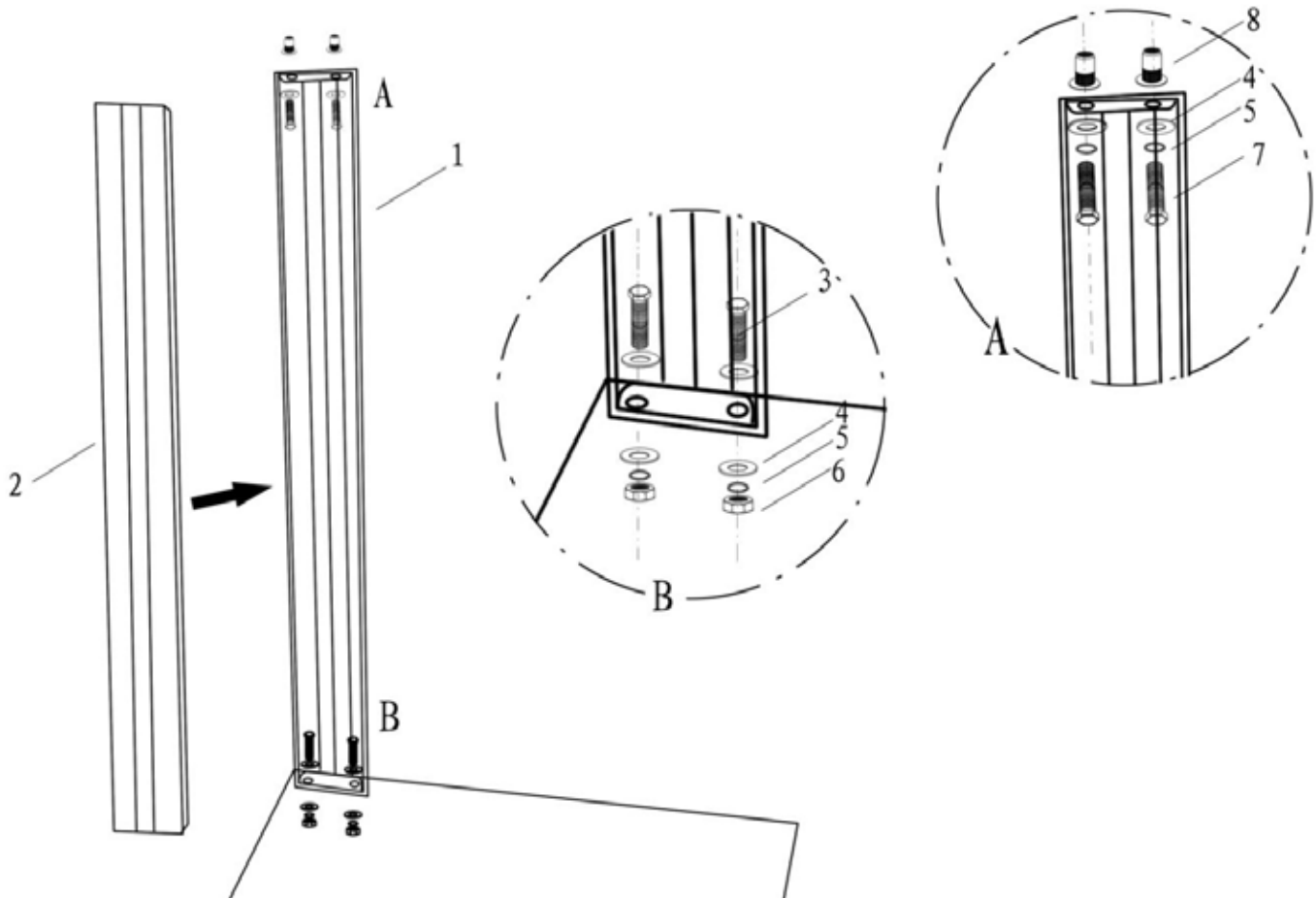
# 1-1 Body, Frame Assembly



<b>Item No.</b>	<b>STAR EV Part No.</b>	<b>Description</b>	<b>MPN</b>	<b>Qty</b>
1	2BO300	Front body	5202000-001	1
2	2WS180	Front windscreen	5303010-005	1
3	2RF400	Roof	5702100-018	1
4		Front seat base	6158-5102011	1
5	2PS200	Second seat base	5103041-014-A3	1
6	2PS200	Third seat base	5103041-014-A3	1
7	2PS201	Rear seat base	5103110-014	1
8	2CS101	Driver's seat	7101000-014	1
9		Frame assembly	5101000-017	1
10		Bamboo floor unit	5106000-024	1
11	2CS102	Passenger's seat 1	7149000-014	2
12		Passenger's armrest 1	7155100-014	2
13	2CS104	Passenger's seat 3	7149000-016	1
14		Passenger's armrest 2	7155100-015	1
15		Driver's armrest 2	7109100-014	1
16	2CS104	Passenger's seat 2	7149000-016	1
17		Rear strut connecting rod		1

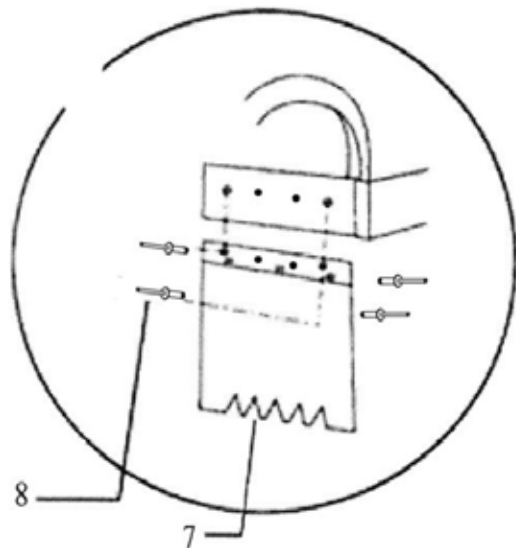
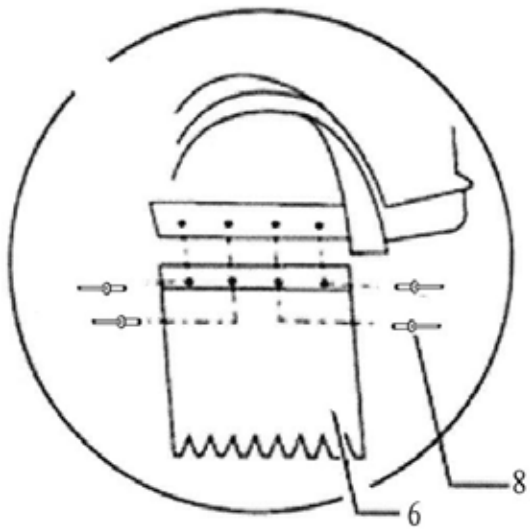
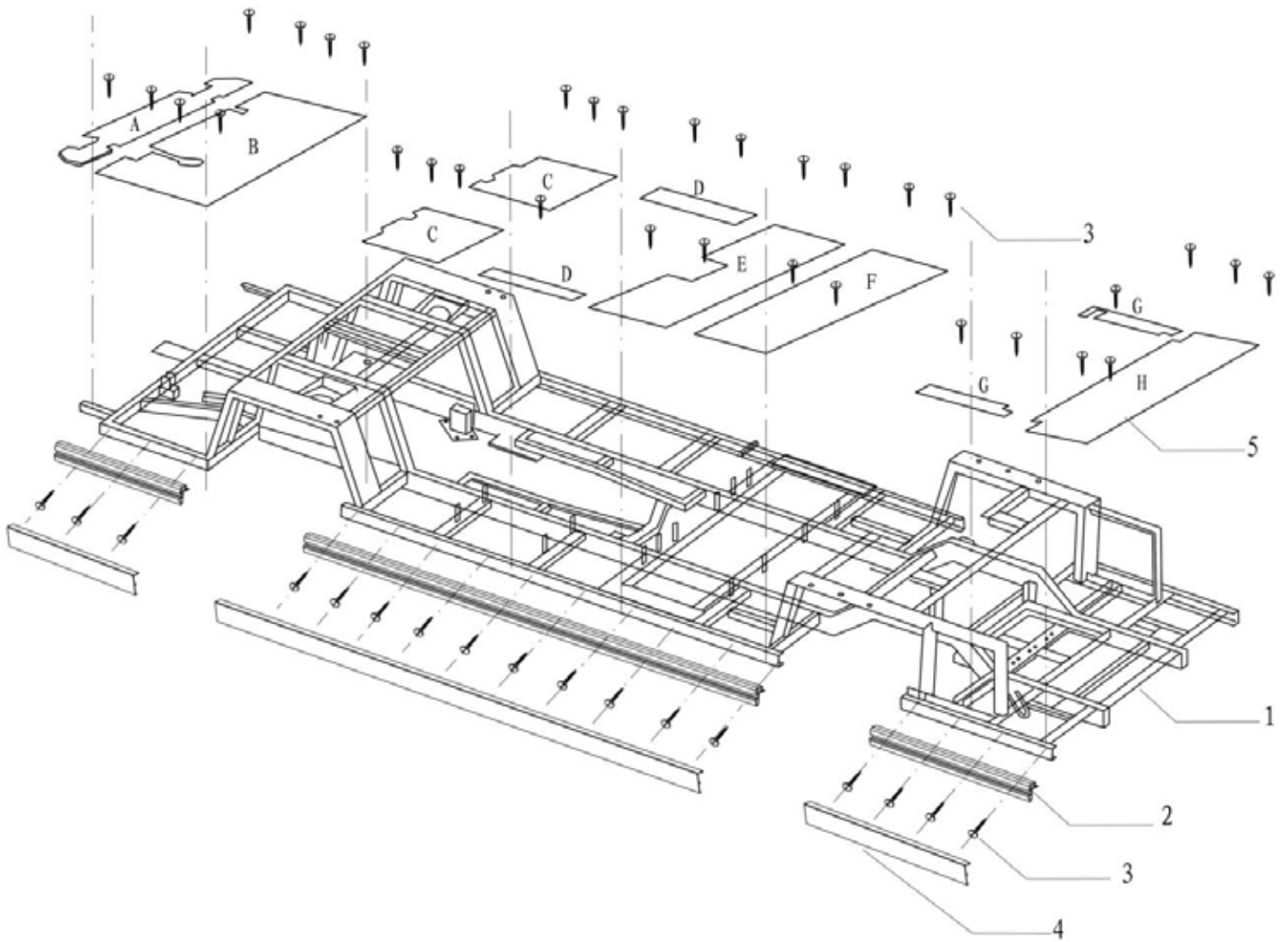
# 1-2 Strut, Roof Handle





Item No.	STAR EV Part No.	Description	MPN	Qty
1, 2	2BC303	Front strut assembly (include item 1-2)	5701210-014	2
1		Front strut out board	5701211-014	2
2		Front strut inner board	5701212-014	2
3		Hex head bolt M8X30	Q150B1045	4
4		Big washer M8	Q40208	26
5		Spring gasket M8	Q40308	20
6		Hex head nut	Q340B08	10
7		Hex head bolt M8X30	Q150B0830	4
8		Flat head nut M8	Q37208	10
9		Rear strut	5701220-014	2
10		Roof frame	5701110-018	1
11	2PS201	Rear seat base	5103110-014	1
12		Hex head bolt M8X60	Q150B0860	12
13	2RF330	Roof handle	5708010-014	8
14		Cross groove tray head self-tapping screw M6x30	Q2710630	16
15		Flat washer	Q40106	16

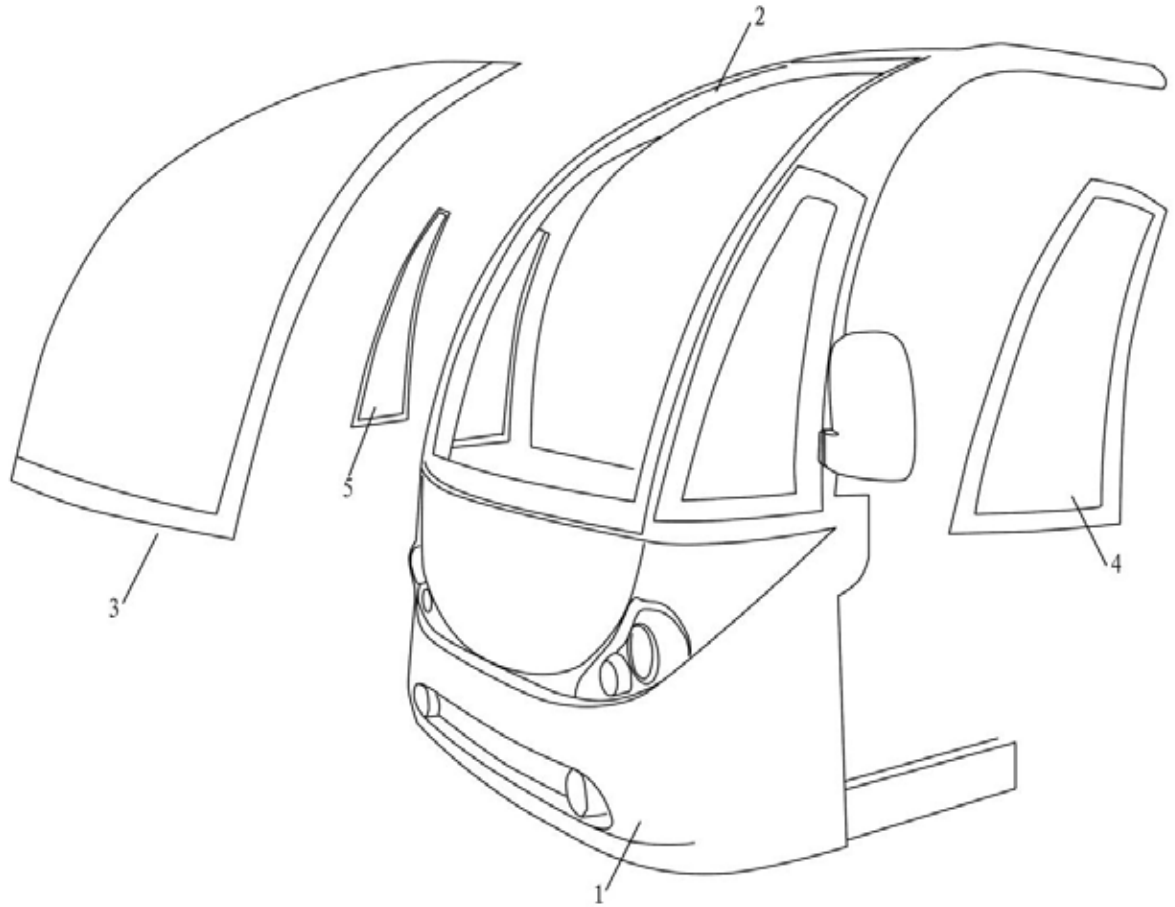
# 1-3 Mudguard, Side Guard Plate



Item No.	STAR EV Part No.	Description	MPN	Qty
1		Frame assembly	5101000-017	1
2		Press bar, front	5109011-014	2
	2RP130	Press bar, middle	5109012-018	2
		Press bar, rear	5109013-016	2
3		Cross groove half round head self-tapping screw M4x25	Q2730425	Depends
4	2RP140	Side guard plate, front	5502011-014	2
	2RP150	Side guard plate, middle	5502012-018	2
	2RP160	Side guard plate, rear	5502013-016	2
5		Floor mat	5106010-001	1
6		Left mudguard	9005001-014-A0	2
7		Right mudguard	9005002-014-A0	2
8		Split flat round head blind rivet M6x15.08	Q4400615	16

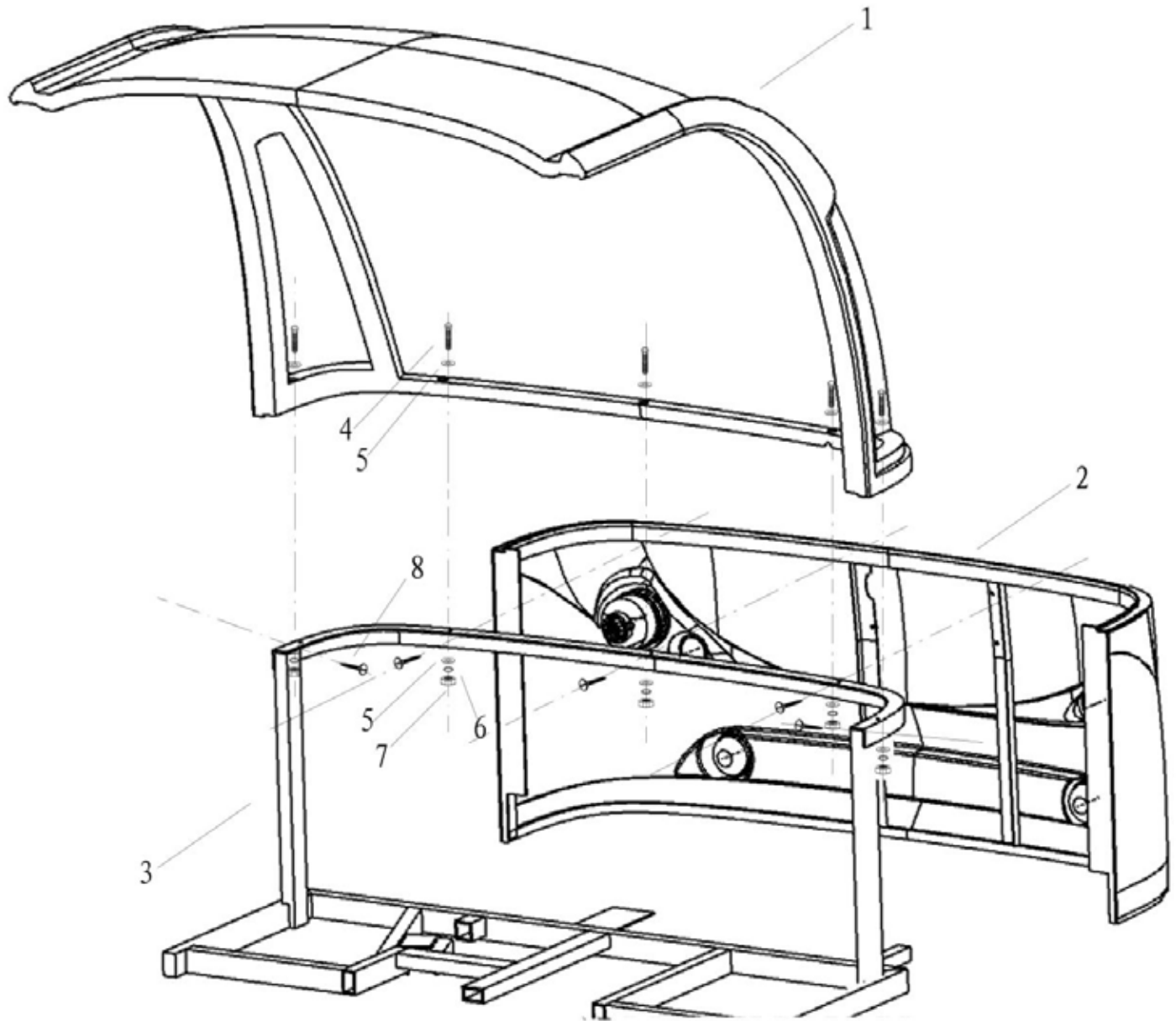


# 1-4 Windshield



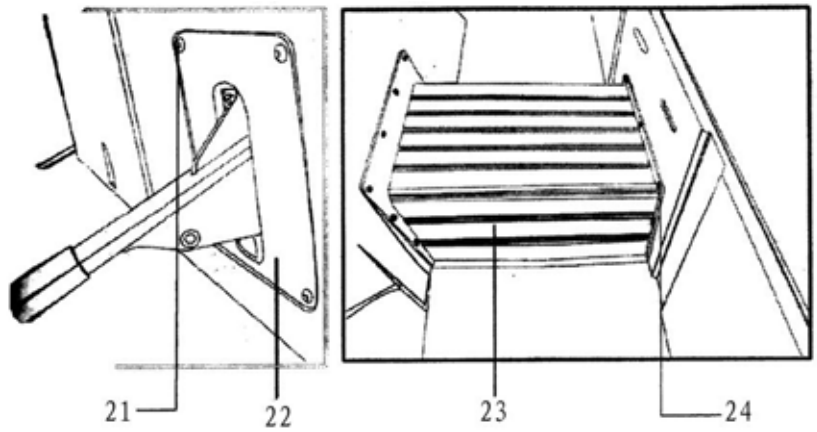
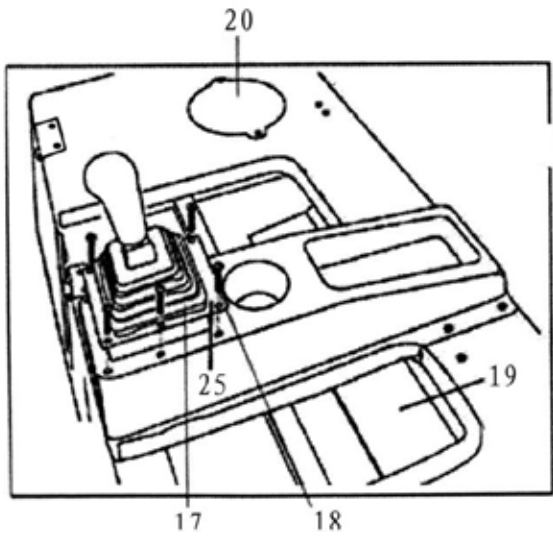
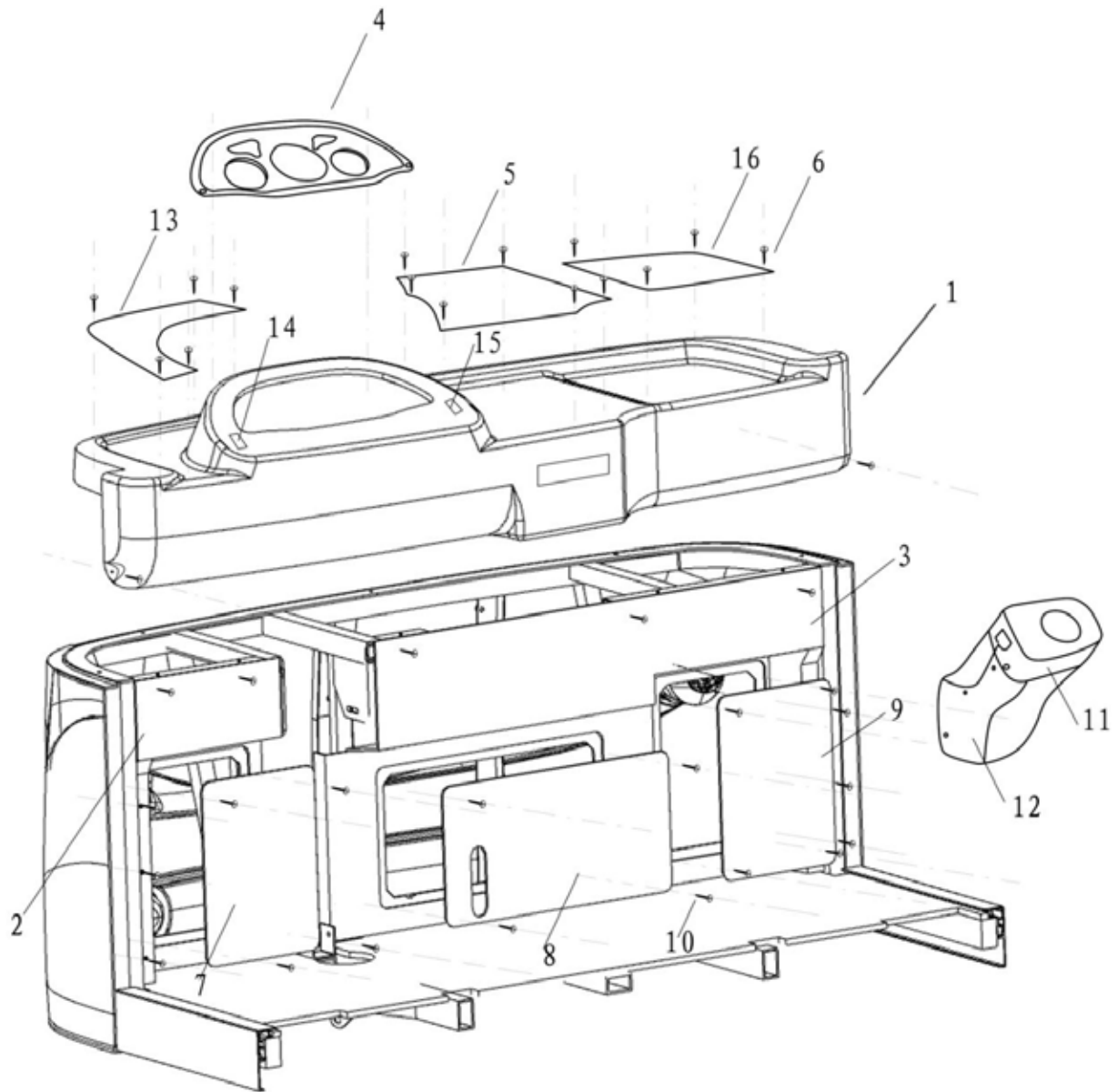
Item No.	STAR EV Part No.	Description	MPN	Qty
1	2BO300	Front body (plastic)	5202000-001	1
2	2WS200	Windscreen frame	5303000-014	1
3	2WS180	Front windscreen	5303010-005	1
4	2WD270	Left windscreen	5303020-005	1
5	2WD271	Right windscreen	5303030-005	1

## 1-5 Front Cover



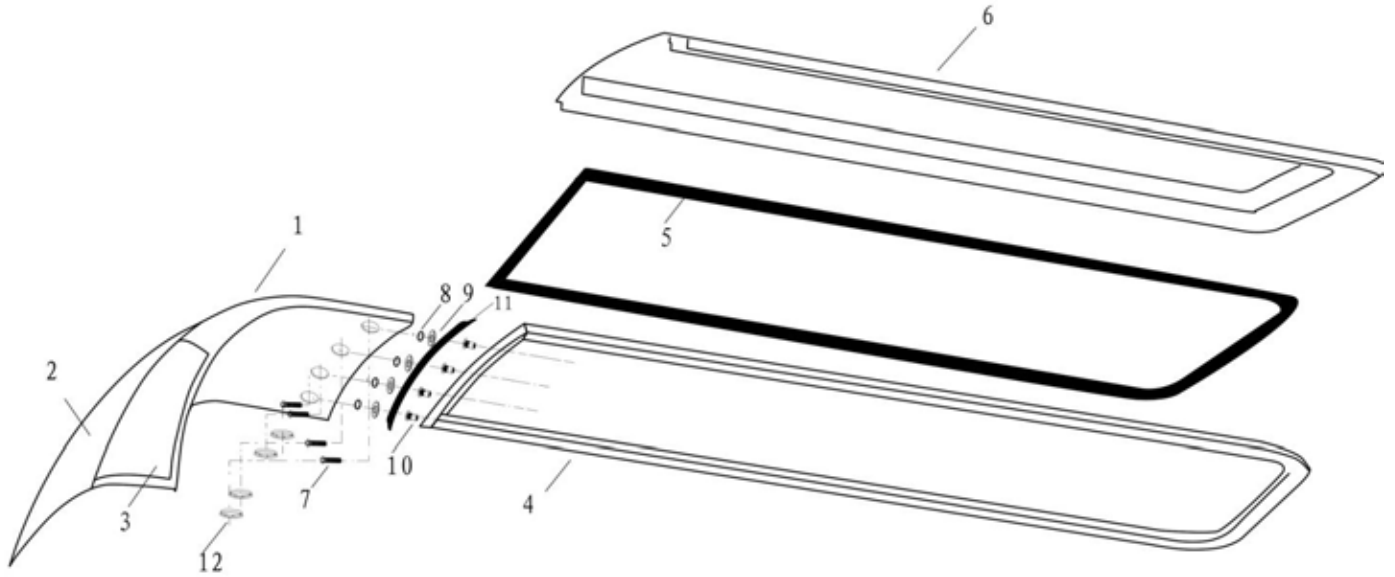
Item No.	STAR EV Part No.	Description	MPN	Qty
1	2WS200	Windscreen frame	5303000-014	1
2		Front body(plastic)	5302110-014	1
3		Frame assembly	5101000-017	1
4		Hex bolt M8x55	Q150B0855	5
5		Flat washer M8	Q40108	10
6		Spring gasket M8	Q40308	5
7		Hex flange Nut M8	Q32008	5
8		Cross groove tray head self-tapping screw M6x30	Q2710630	5

# 1-6 Dashboard and Controls



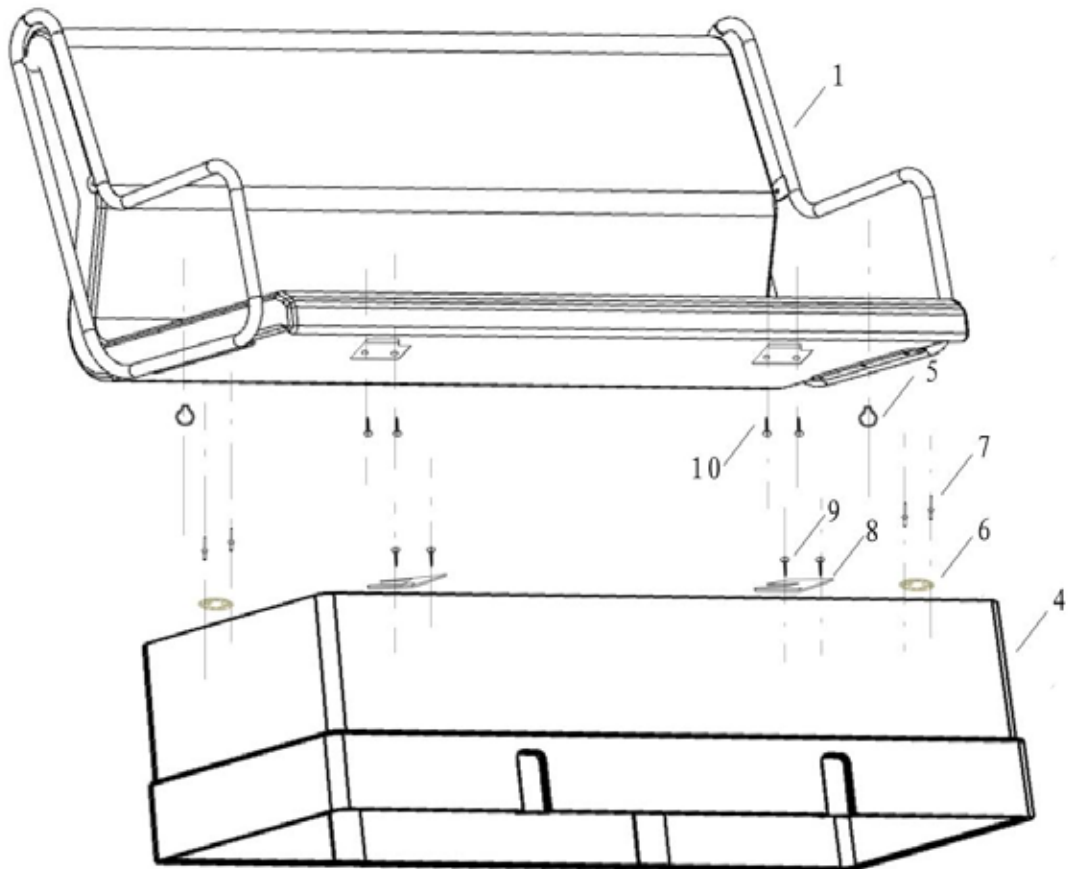
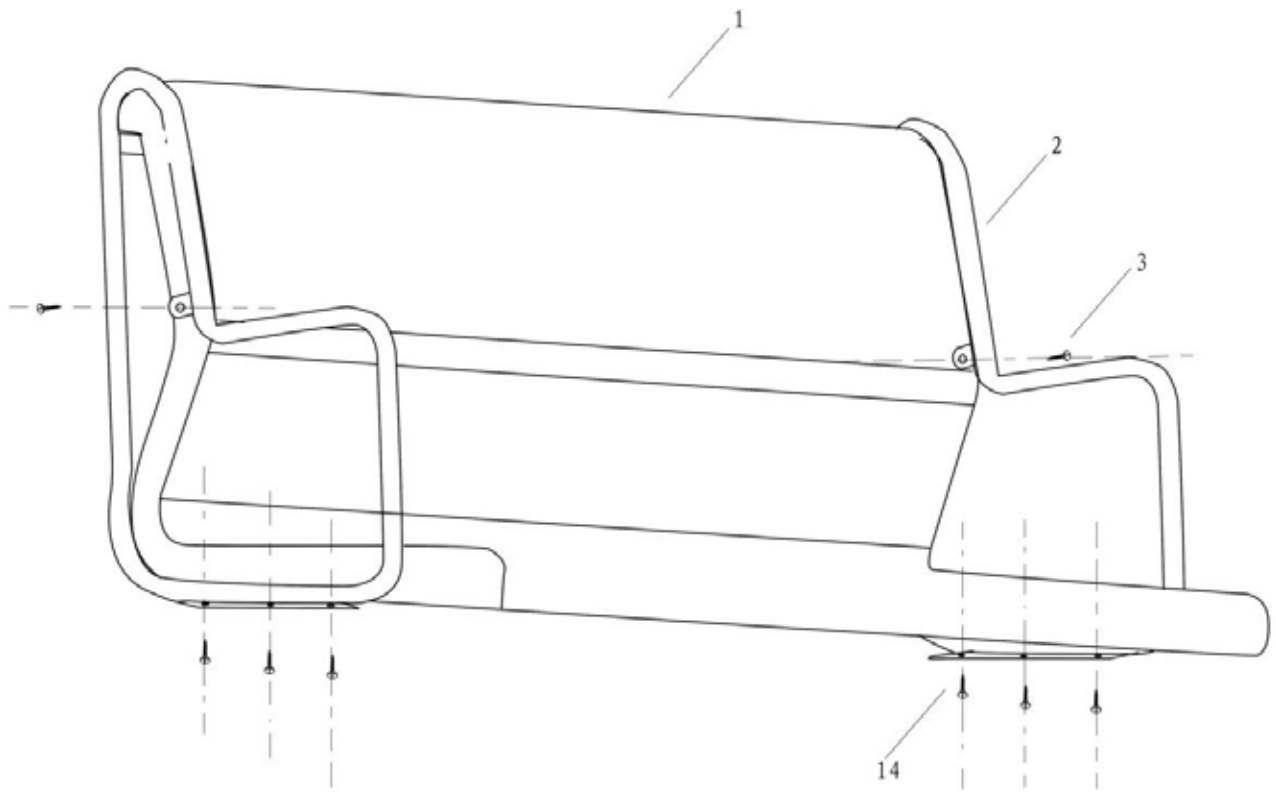
Item No.	STAR EV Part No.	Description	MPN	Qty
1		Upper dashboard	5305110-004	1
2		Lower dashboard, LH	5305211-004	1
3		Lower dashboard, RH	5305221-004	1
4		Meter	6113-3004000	1
5	2DB530	Access 2	5205213-001	1
6		Cross groove half round head self-tapping screw M4x30	Q2730430	7
7		Left headlight access	5205012-001	1
8		Accelerator access	5205122-001	1
9		Right headlight access	5205012-001	1
10		Cross groove half round head self-tapping screw M4x16	Q2730416	14
11 + 12	2DB513	Combination switch cover and steering wheel cover	5305140-004	1
13	2DB520	Access 1	5205212-001	1
14	2SW050	Hazard warning light switch	3032010-002	1
15	2SW015	Fog light switch	3032010-013	1
16	2DB540	Access 3	5205214-001	1
17	2TN041	Dustproof cover for gear shifting lever	2103022-002	1
18		Hex head bolt M6x30	Q150B0630	6
19		Waterproof cover for motor	6152-5102051	1
20		Front shock absorber access	6082-5102012	2
21		Cross groove half round head self-tapping screw M4x16	Q2730416	4
22		Parking brake handle access	6082-5102013	1
23		Motor access	5103051-014	1
24		Cross groove half round head self-tapping screw M4x16	Q2730416	16
25	2TN042	Press plate for gear shifting lever, dustproof cover	2103021-002	1

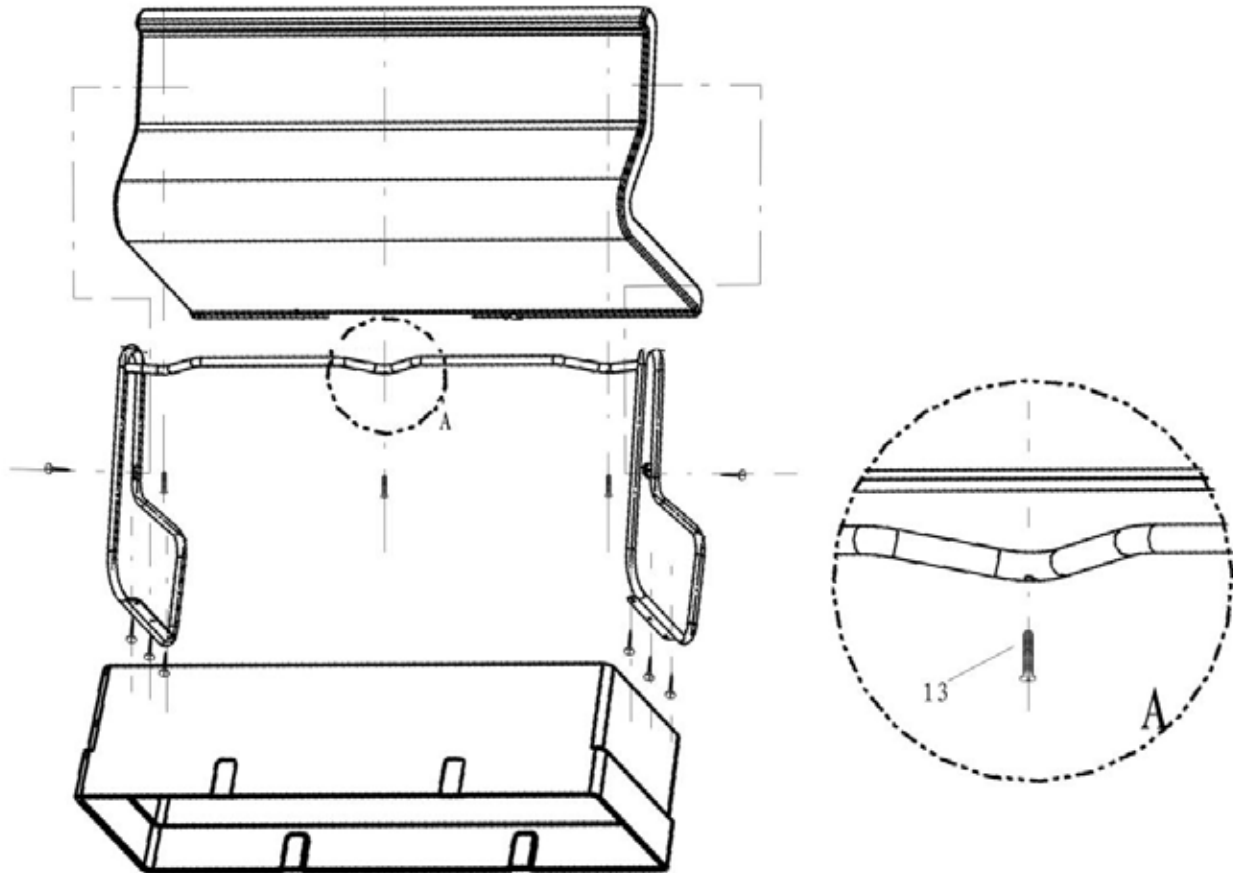
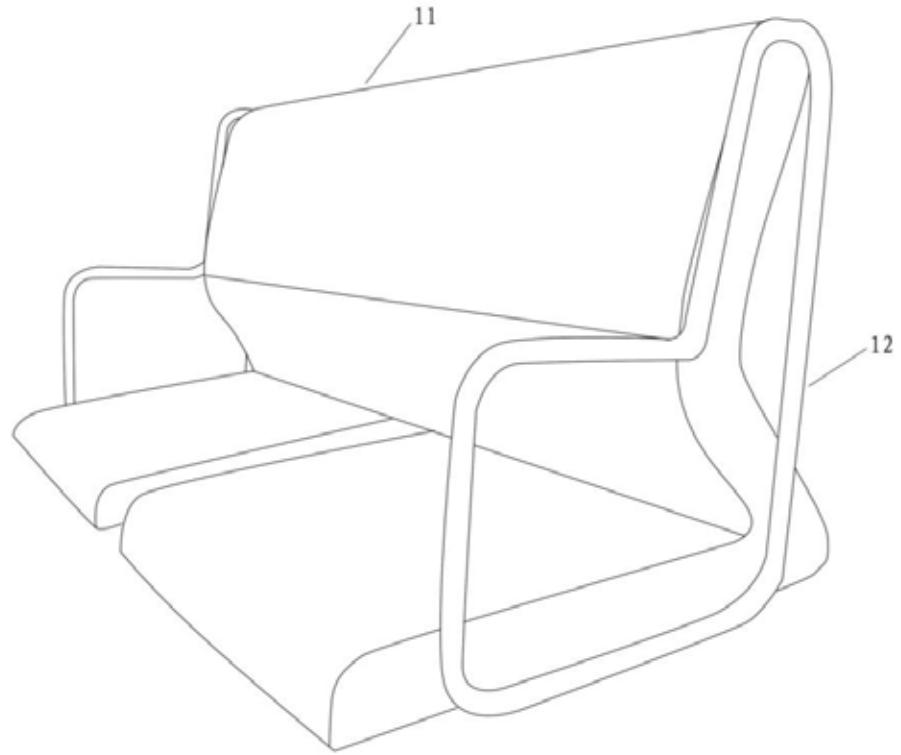
## 1-7 Roof



Item No.	STAR EV Part No.	Description	MPN	Qty
1	2WS200	Windscreen frame	5303000-014	1
2	2WS180	Front windscreen	5303010-005	1
3	2WD270	Left windscreen	5303020-005	1
4		Roof frame	5701110-018	1
5		Rubber trim	5702130-018	1
6	2RF400	Roof	5702100-018	1
7		Hex head bolt M8x55	Q150B0845	4
8		Spring gasket M8	Q40308	4
9		Flat washer M8	Q40108	4
10		Flat head nut M8	Q37208	4
11	2RF402	Rubber trim	5701121-014	1
12	2RF401	Roof connecting bolt access	5303311-014	4

# 1-8 Seat and Bracket

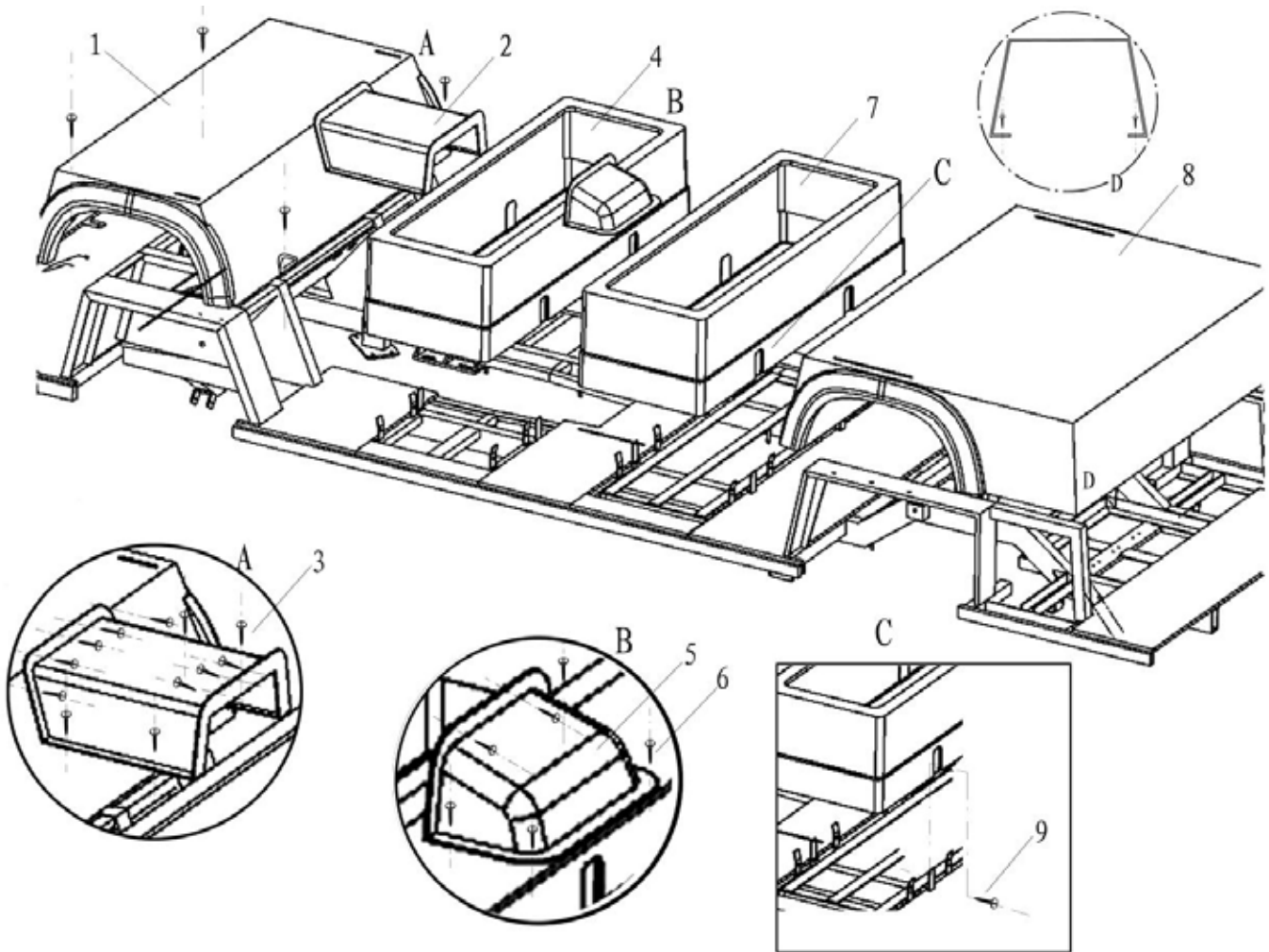




Item No.	STAR EV Part No.	Description	MPN	Qty
1	2CS102	Passenger's seat 1	7149000-014	2
	2CS104	Passenger's seat 2	7149000-016	2
2		Passenger armrest 1	7155100-014	2
		Passenger armrest 2	7155100-015	1
3		Hex flange self-tapping screw M6x25	Q2700625	8
4		Second seat base	5102041-001	1
		Third seat base	5102042-001	1
		Third seat base extend part	5102043-001	1
		Front seat base	6158-5102011	1
5	2PS140	Ball head	7107211-002	10
6	2PS145	Ball socket	7107212-002	10
7		Split flat round head blind rivet M4x12.08	Q4400412	40
8		Seat hinge	6082-6501310	10
9		Cross groove deep head self-tapping screw M6x30	Q2630630	20
10		Cross groove deep head self-tapping screw M6x30	Q2630630	20
11	2CS101	Driver's seat	7101000-014	1
12		Driver's armrest	7109100-014	1
13		Cross groove tray head self-tapping screw M6x30	Q2710630	12
14		Cross groove deep head self-tapping screw M6x35	Q2740635	24

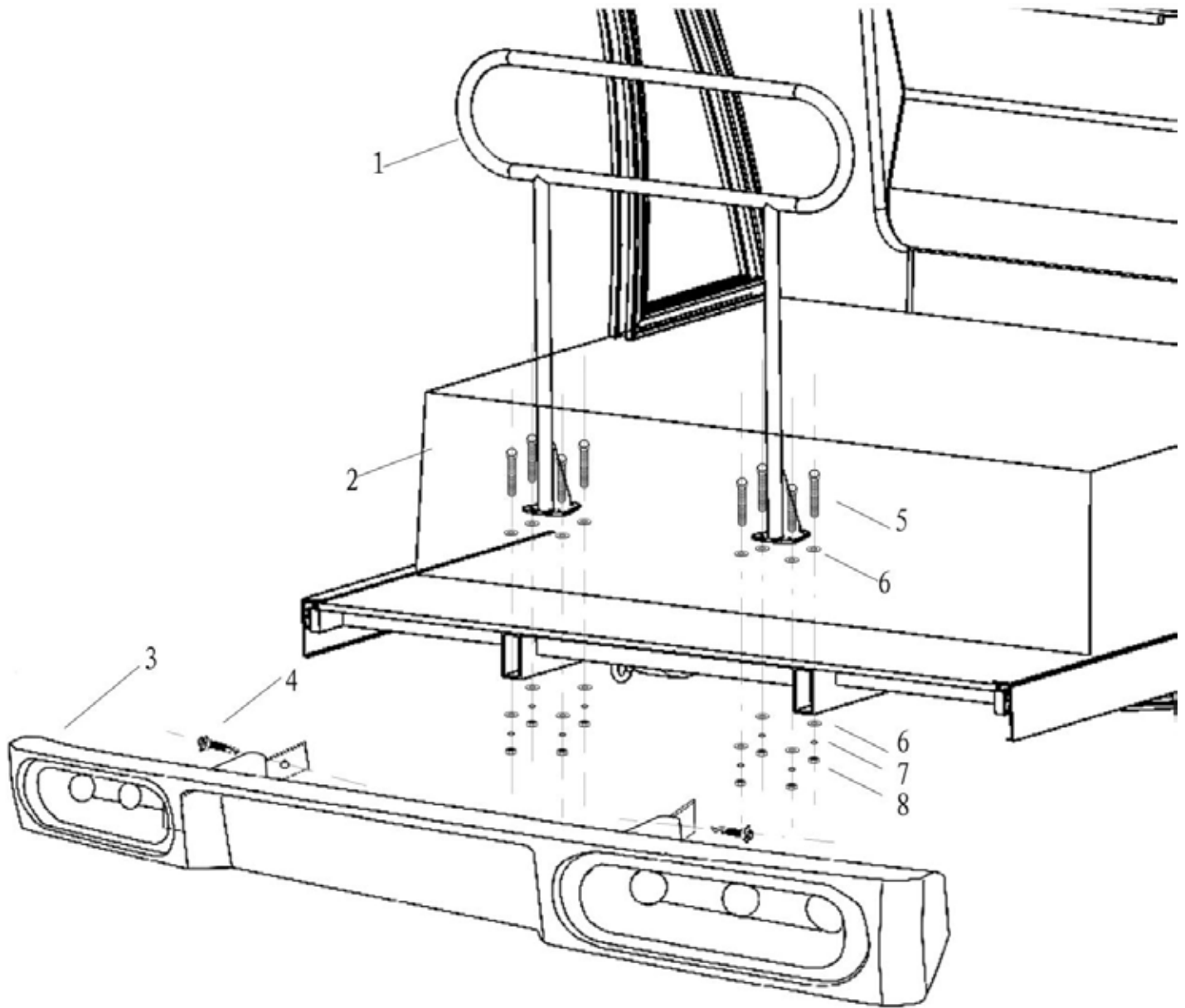


# 1-9 Seat Base



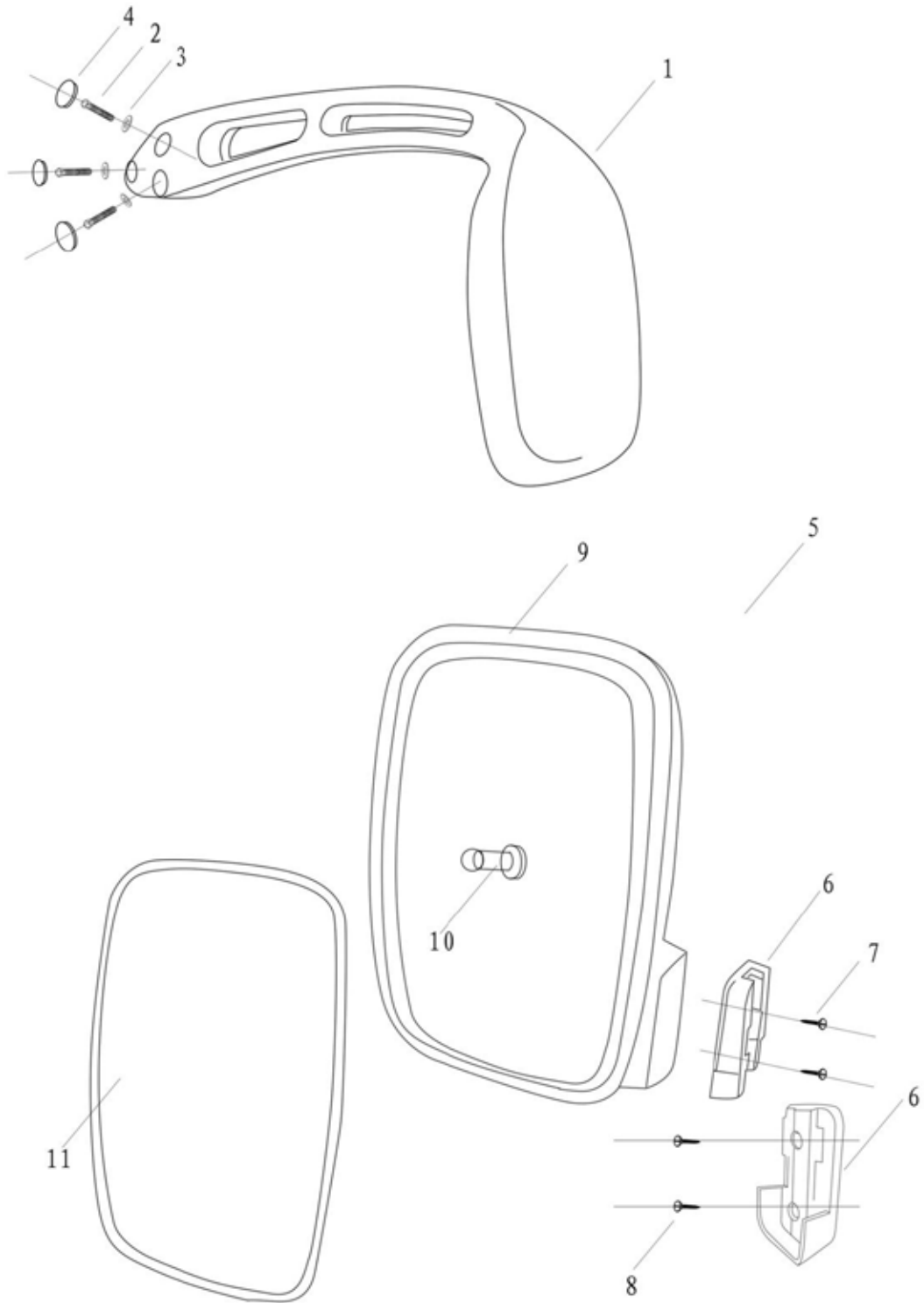
Item No.	STAR EV Part No.	Description	MPN	Qty
1		Front seat base	6158-5102011	1
2		Motor access	5103051-014	1
3		Cross groove deep head self-tapping screw M4x25	Q2710425	18
4		Second seat base	5102041-001	1
5		Second seat base extend part	5102043-001	1
6		Cross groove deep head self-tapping screw M4x25	Q2710425	6
7		Third seat base	5102042-001	1
8	2PS201	Rear seat base	5103110-014	1
9		Cross groove deep head self-tapping screw M4x25	Q2710425	4

# 1-10 Rear Parts



Item No.	STAR EV Part No.	Description	MPN	Qty
1	2FP000	Rear handle	7202010-016	1
2	2PS201	Rear base	5103110-014	1
3		Rear bumper (plastic)	5506010-001	1
		Rear bumper (FRP)	Q1840630	1
4		Hex flange bolt M6x30	Q150B0640	2
5		Hex head bolt M6x40	Q40106	8
6		Flat washer M6	Q40306	16
7		Spring gasket M6	Q340B06	8
8	2FP000	Hex head nut M6	7202010-016	8

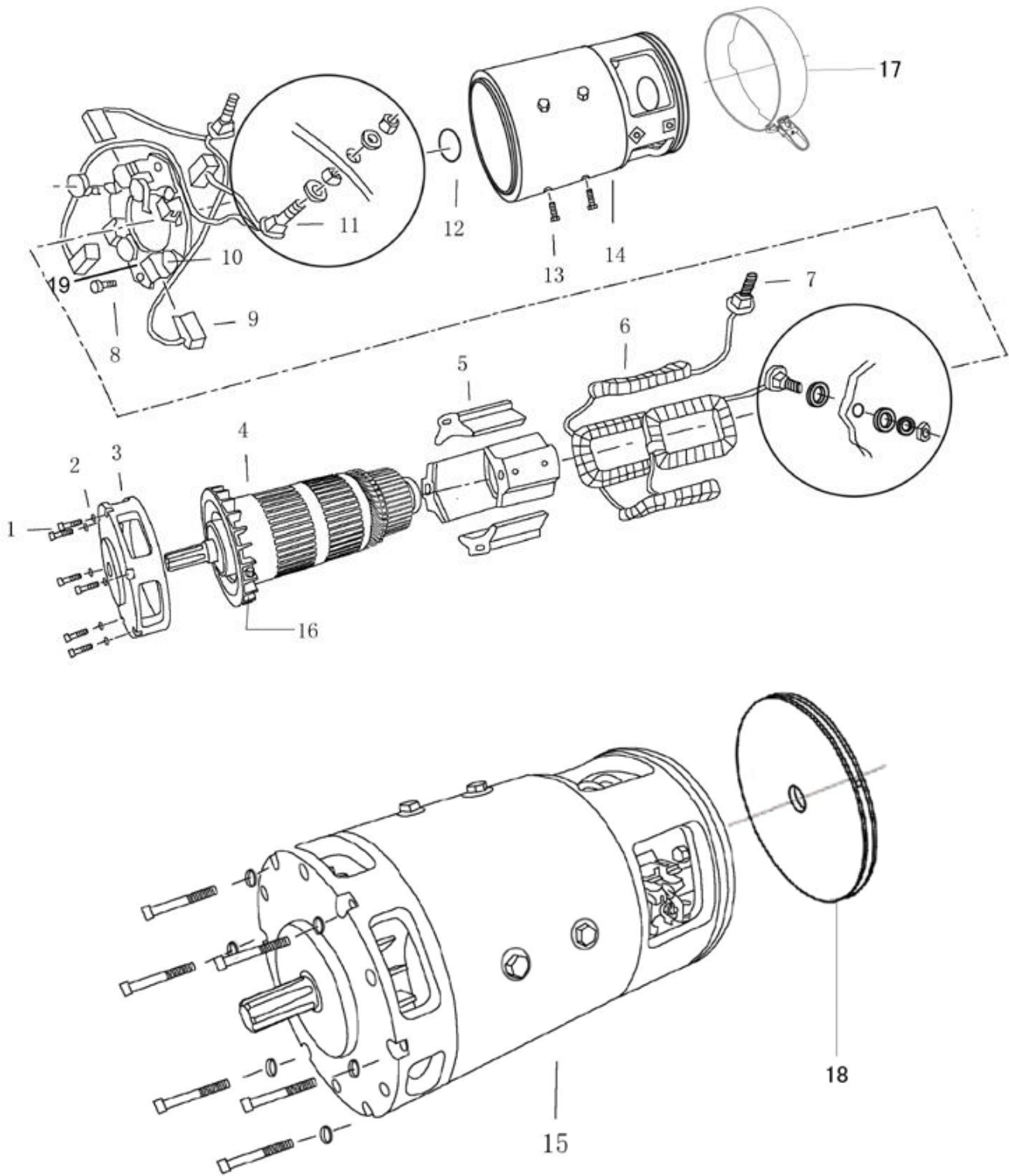
# 1-11 Side Rear View Mirror



Item No.	STAR EV Part No.	Description	MPN	Qty
1	2MR021	Side rear view mirror RH	9002200-005	1
2		Hex head bolt M8x45	Q150B0845	3
3		Flat washer M8	40108	3
4		Rubber cap		3
5	2MR020	Side rear view mirror LH	9002100-005	1

6	2MR023	Install bracket for left side rear view mirror	9002010-005	1
7		Cross groove half round head self-tapping screw M4 x 25	Q2730425	2
8		Cross groove deep head self-tapping screw M4x25	Q2740425	2
9		Side rear view mirror shell, LH	9001012-001	1
10		Universal holder	9001015-001	2
11	2MR024	Len	9001013-001	2

## 2-1 Motor Assembly



### 72 V, 5 kW Series Motor

Item No.	STAR EV Part No.	Description	MPN	Qty
1		Inner cross head screw	10E8.926.012	6
2		Washer	GB93-87-5	6
3		Motor cover	2103-M01	1

4		Armature	2103-M02	1
5		Pole core	2103-M03	4
6		Field coil kit	2103-M04	4
7		Bolt	462-1000810	2
8		Bolt	462-1000813	4
9		Carbon brush	XQ-5B/020	1
10		Brush spring	XQ-5B/030	4
11		Bolt	462-1000810	2
12		Snap ring	10E8.160.016	1
13		Bolt	GB5782-M8x40	8
14		Motor case	2103-M07	1
15	2MO050	Motor Assembly	XQ-5B	1
16		Fan		1
17		Carbon brush access		1
18		Motor lag		1
19		Brush shelf	XQ-5B/040	1

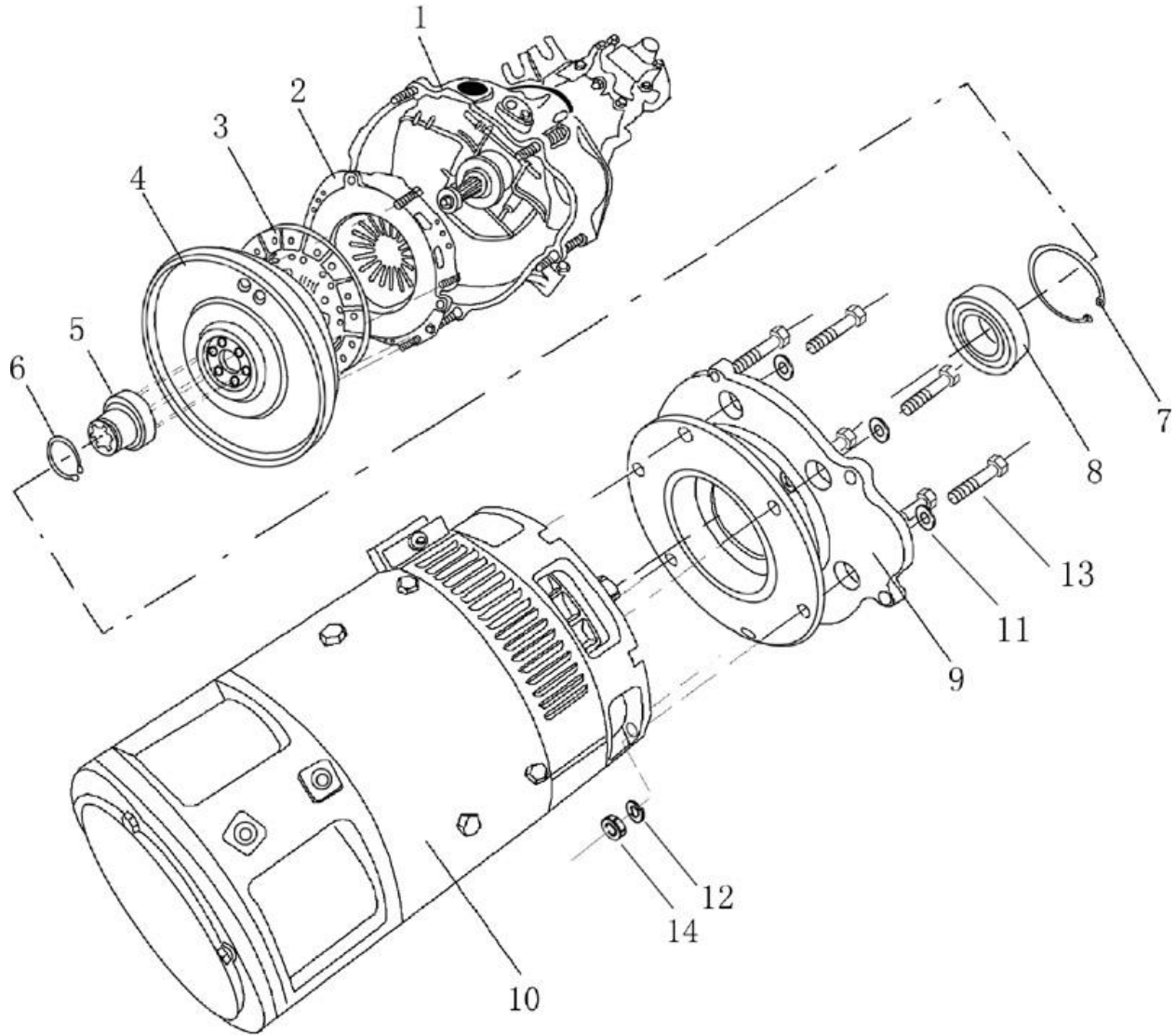
## 48 V, 5 kW Series Motor

Item No.	STAR EV Part No.	Description	MPN	Qty
1		Inner cross head screw		6
2		Washer		6
3		Motor cover		1
4		Armature		1
5		Pole core		4
6		Field coil kit		4
7		Bolt		2
8		Bolt		4
9		Carbon brush	XQ-5H/020	1
10		Brush spring	XQ-5H/030	4
11		Bolt		2
12		Snap ring		1
13		Bolt		8
14		Motor case		1
15		Motor Assembly	XQ-5H	1
16		Fan		1
17		Carbon brush access		1
18		Motor lag		1
19		Brush shelf	XQ-5H/040	1

## 48 V, 5 kW Sepex Motor

Item No.	STAR EV Part No.	Description	MPN	Qty
1		Inner cross head screw		6
2		Washer		6
3		Motor cover		1
4		Armature		1
5		Pole core		4
6		Field coil kit		4
7		Bolt		2
8		Bolt		4
9		Carbon brush	XQ-5B/020	1
10		Brush spring	XQ-5B/030	4
11		Bolt		2
12		Snap ring		1
13		Bolt		8
14		Motor case		1
15		Motor Assembly	1003000-003	1
16		Fan		1
17		Carbon brush access		1
18		Motor lag		1
19		Brush shelf	XQ-5B/040	1

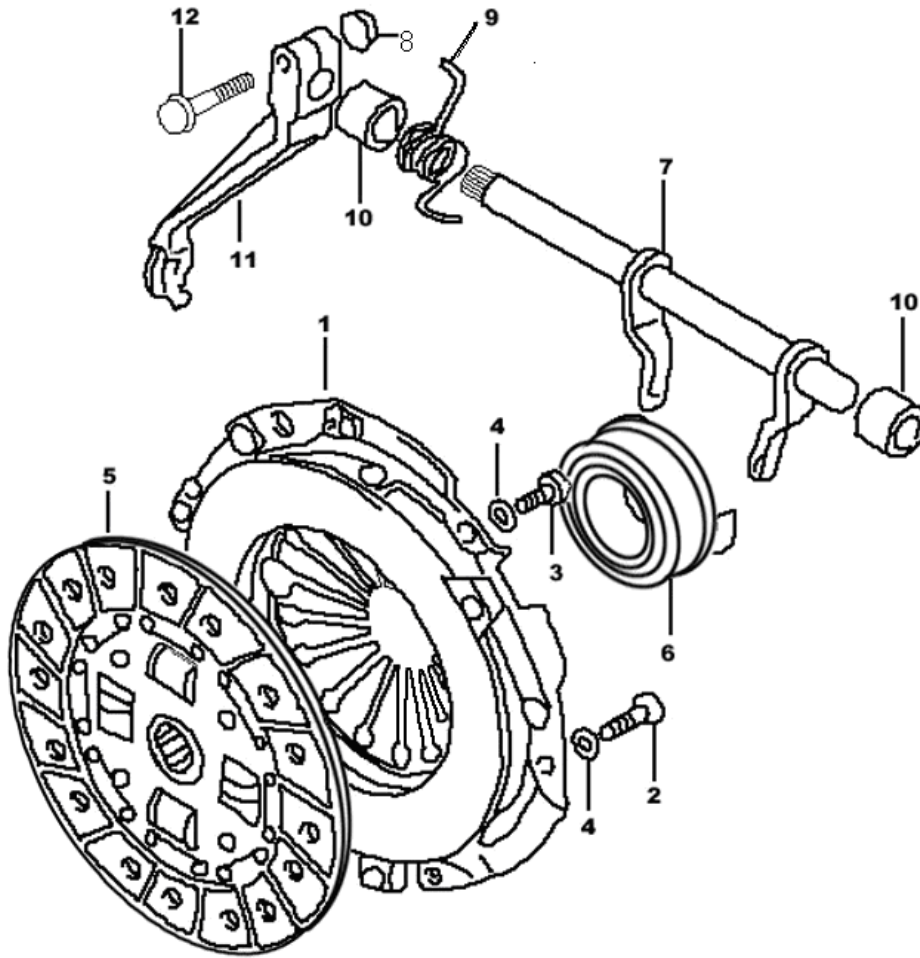
## 2-2 Power Train System



Item No.	STAR EV Part No.	Description	MPN	Qty
1	2TN100	Gear-box	2101000-008	1
2	2TN010	Clutch cover	1901200-005	1
3	2TN000	Clutch driven disk	1901300-005	1
4		Flywheel	1901100-002	1
5	2TN035	Spline	1002020-002	1
6		Spring ring for bearing	Q43140	1
7		Spring ring for spline	Q43090	1
8	2BE016	bearing	6308-2Z	1
9		Flange	1002010-002	1
10	2MO050	Direct current motor	XQ-5B	1
11		Hex head bolt M12x45	Q150B1245	6
12		Flat washer M12	Q40112	12
13		Spring gasket M12	Q40312	6
14		Hex Nut M8	Q326M12	6

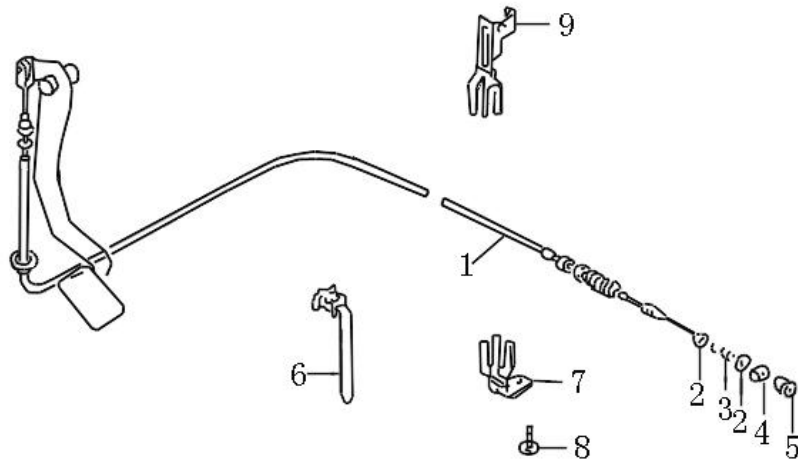


## 3-1 Clutch and Control



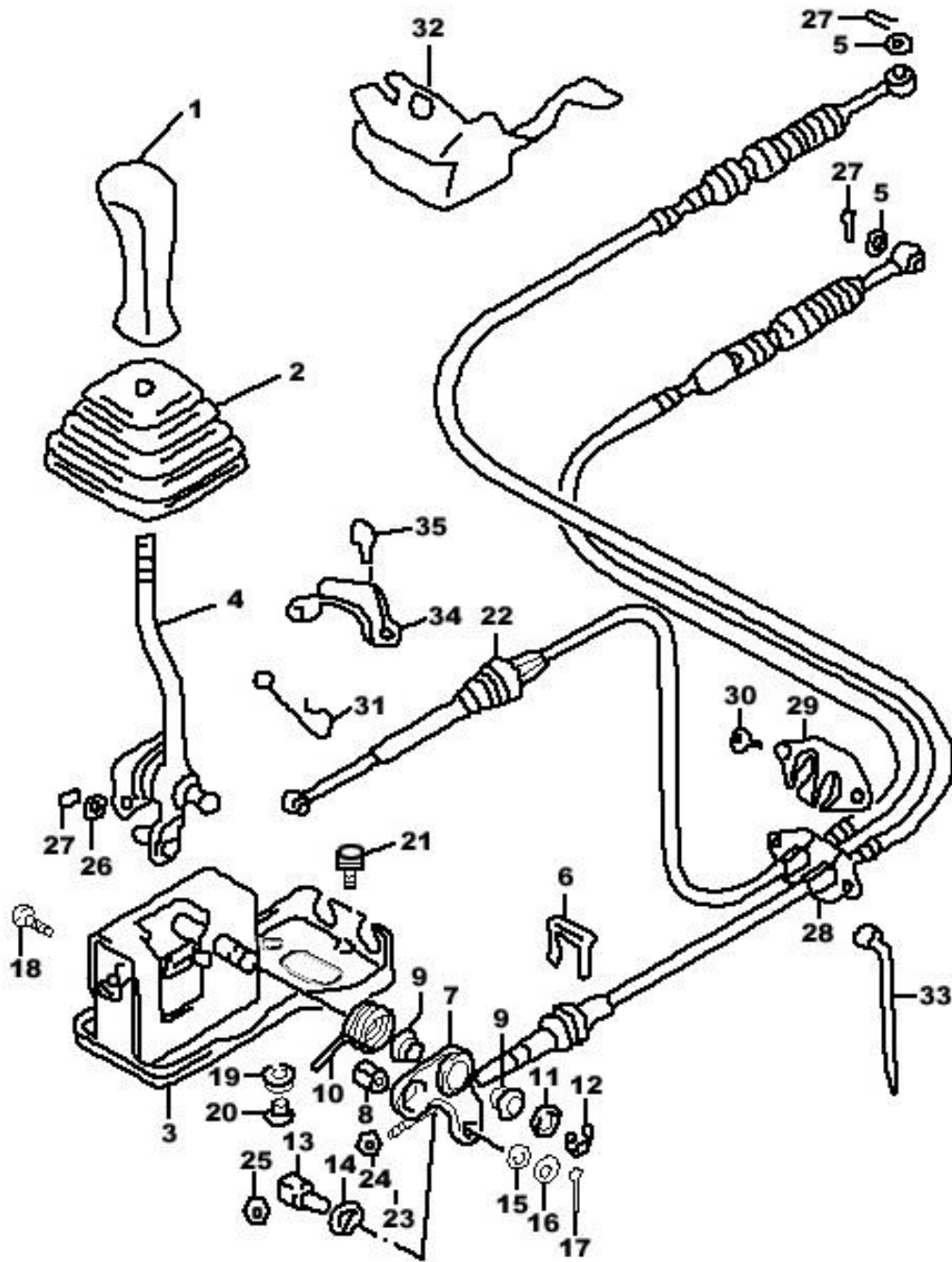
Item No.	STAR EV Part No.	Description	MPN	Qty
1	2TN010	Clutch cover	1901200-005	1
2		Locating screw	462-1005201	2
3		Screw	462-1000238	4
4		Spring washer	GB859-878	6
5	2TN000	Cutch driven disk	1901300-005	1
6	2BE008	Release bearing	462-1601025	1
7		Clutch release shaft assembly	462-1601806	1
8		Clutch cap nut	GB6172-M8	1
9		Clutch release shaft spring	462-1601022	1
10		Clutch release bearing	462-1601021-A	1
11		Clutch arm	462-1700012-A	1
12		Screw	GB5787-M8×38	1

## 3-2 Clutch Cable



Item No.	STAR EV Part No.	Description	MPN	Qty
1	2CB520	Clutch cable assembly, ~90" for old style transmissions	1901410-005	1
	2CB521	Clutch cable assembly, ~80" for new style transmissions		
2		Clutch cable link ring	GB97.1-6-140HV-ZnD	2
3		Clutch cable spring	2120-1602004	1
4		Clutch cable link pin	2120-1602005	1
5		Clutch cable link nut	2120-1602006	1
6		Clutch cable No.1 clamp	2120-1602007	2
7		Clutch cable No.2 clamp	2120-1602008	1
8		Clutch cable clamp bolt	2120-1602009	1
9		Clutch cable No.3 clamp	2120-1602010	1

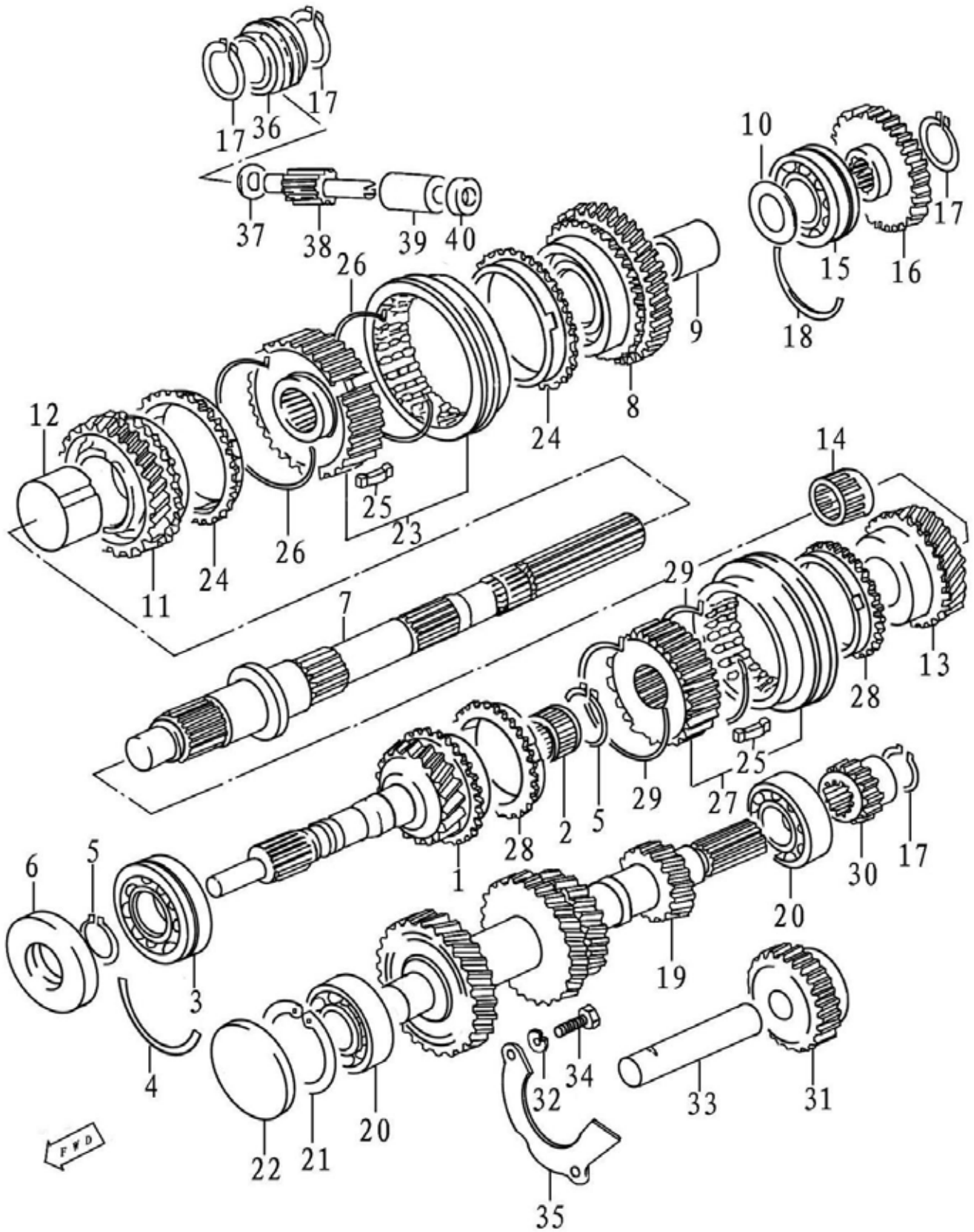
### 3-3 Gear Shifting Control



Item No.	STAR EV Part No.	Description	MPN	Qty
1-35	2TN040	Gear shifting Control system (includes 1-35)	2103100-002	1
1		Handle	2120-1-1703310FA	1
2	2TN041	Boot	2103022-002	1
3		Bracket assembly	2120-1-1703101DA	1
4		Shifting lever assembly	2120-1-1703110DA	1
5		Washer, plain	Q/2A-CJ-476	2
6		Washer	Q/2A-CJ-425	2
7		Arm assembly, rocket	2120-1-1703130CA	1
8		Bush	2120-1-1703103DA	1

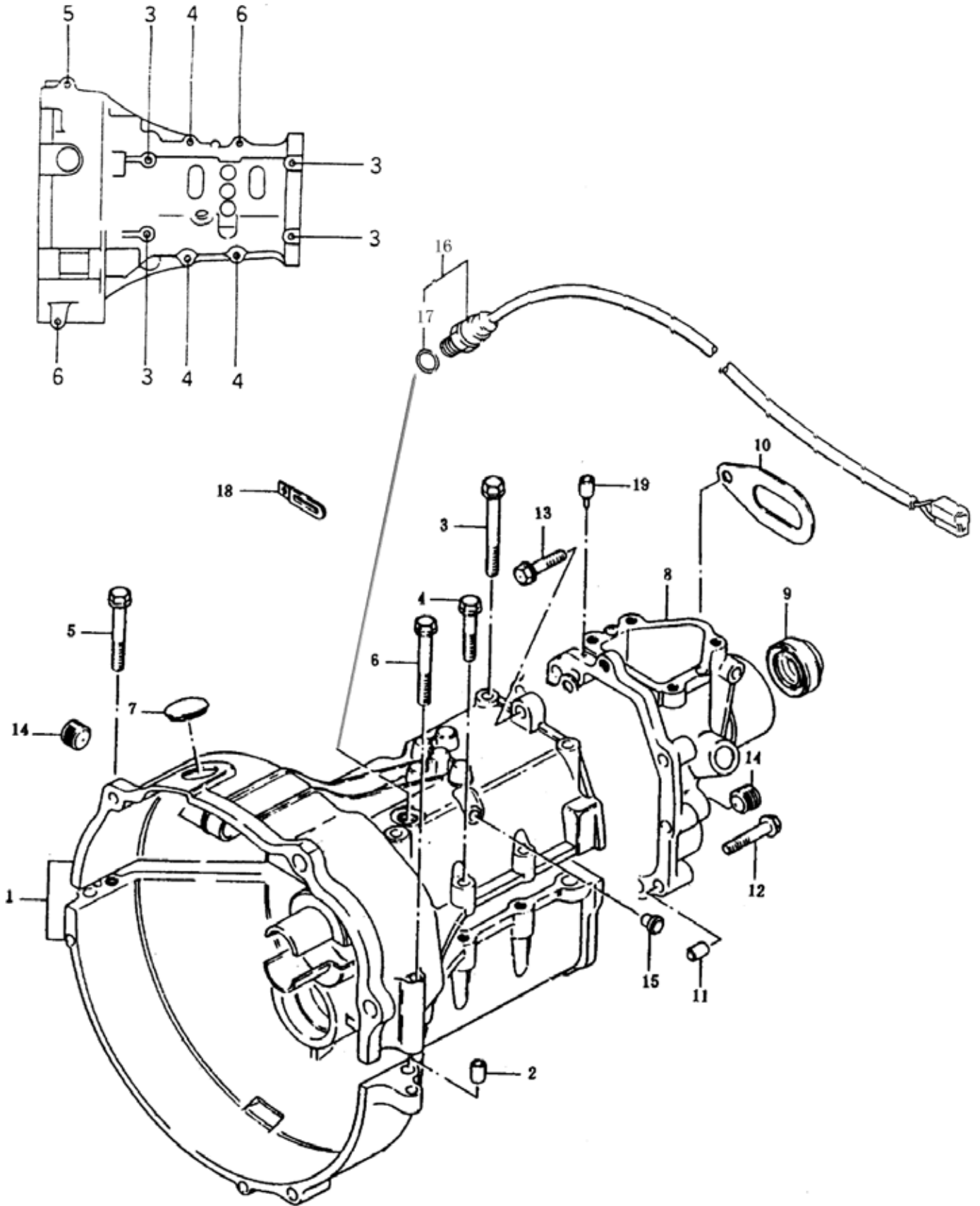
9		Bush	2120-1-1703101CA	2
10		Spring, return	Q/2A-CJ-435	1
11		Washer, plain	Q40112	1
12		Retainer	Q43690	1
13		Fitting	2120-1-1703108CA	1
14		Bush, shaft	2120-1-1703105CA	1
15		Washer, plain	Q40108	2
16		Spring washer, saddle	Q/2AM26-8	1
17		Split pin	Q5002020	1
18		Blot, washer assembled	Q/2A-CJ-29-M5×12	4
19		Spacer, bump	2120-1-1703106CA	4
20		Bush	2120-1-1703107CA	4
21		Blot, washer assembled	Q/2A-CJ-63-M6×30	4
22		Cable assembly, shift control	2102100-005	1
23	2CB503	Cable assembly select control	2102200-005	1
24, 25		Nut, hexagon	Q/2A-CJ-473-M6	2
26		Washer	Q/2AJ-8×14×1.5	1
27		Pin snap	Q/2A-CJ-462-8	3
28		Seat , fixing	2120-1-1703013CA	1
29		Plate, fixing	2120-1-1703012CA	1
30		Screw, cross recess disk head tapping	Q271B6316	2
31		Hook, guide	Q/2A-CJ-476-120	1
32		Bracket, cable rear	2120-1-1703010FA	1
33		Cassette, plastic	Q/2A-CJ-415	2
34		Plate, guide	2120-1-1703006CA	1
35		Blot, washer assembly	Q/2A-CJ-30-M6×12-8.8	2

# 3-4 Gear Box



Item No.	STAR EV Part No.	Description	MPN	Qty
1		1st shaft Assembly	1701030-MR406A31	1
2		Roller bearing	GB5846-86K17.52216	1
3		Bearing	GB/T276-94 6204N	1
4		“C” type bearing locking ring	1701036-MR406A01	1
5		Retaining ring	Q/JZ0910S=1.3	2
6	2OL000	1st shaft oil seal	1701086-MR406A01	1
7		No.2 shaft	1701105-MR406A01	1
8		1st shaft gear	1701113-MR406A01	1
9		1st shaft gear bush	1701124-MR406A01	1
10		Thrust washer	1701125-MR406A01	1
11		2nd shaft gear	1701126-MR406A01	1
12		2nd shaft gear bush	1701143-MR406A01	1
13		3rd shaft gear	1701132-MR406A01	1
14		Roller bearing	GB5846-86K303524	1
15		Bearing	GB/T276-94 6205N	1
16		Reverse driven gear	1701112-MR406A01	1
17		Retaining ring	Q/JZ0910S=1.3	1
18		“C” type bearing locking ring	1701037-MR406A01	1
19	2RR030	Middle gearing shaft	1701047-MR406A01	1
20		Bearing	GB/T276-946204	2
21		Retaining ring	Q/JZ0910S=1.7	1
22		Rubber plug Assembly	1701057-MR406A01	1
23		1st /2nd shaft Synchronizer	1701115-MR406A01	1
24		Low-speed baulk ring	1701129-MR406A01	2
25		Key	1701121-MR406A01	6
26		Spring hog ring	1701130-MR406A01	2
27		3rd/ 4th shaft Synchronizer	1701116-MR406A01	1
28		High-speed baulk ring	1701120-MR406A01	2
29		Spring hog ring	1701122-MR406A01	2
30		Reverse drive gear	1701144-MR406A01	1
31		Reverse middle gear	1701083-MR406A01	2
32		Spring washer		2
33		Reverse gear shaft	1701092-MR406A01	1
34		Screw	Q/JZ0904	2
35		Bearing baffle	1701098-MR406A01	1
36		Speed chart worm	1701141-MR406A01	1
37		Thrust washer	GB848-85 8	1
38		Speed chart driven gear	1701142-MR406A01	1
39		Bush	1701140-MR406A01	1
40		Oil-sealing ring Assembly	1702049-MR406A01	1

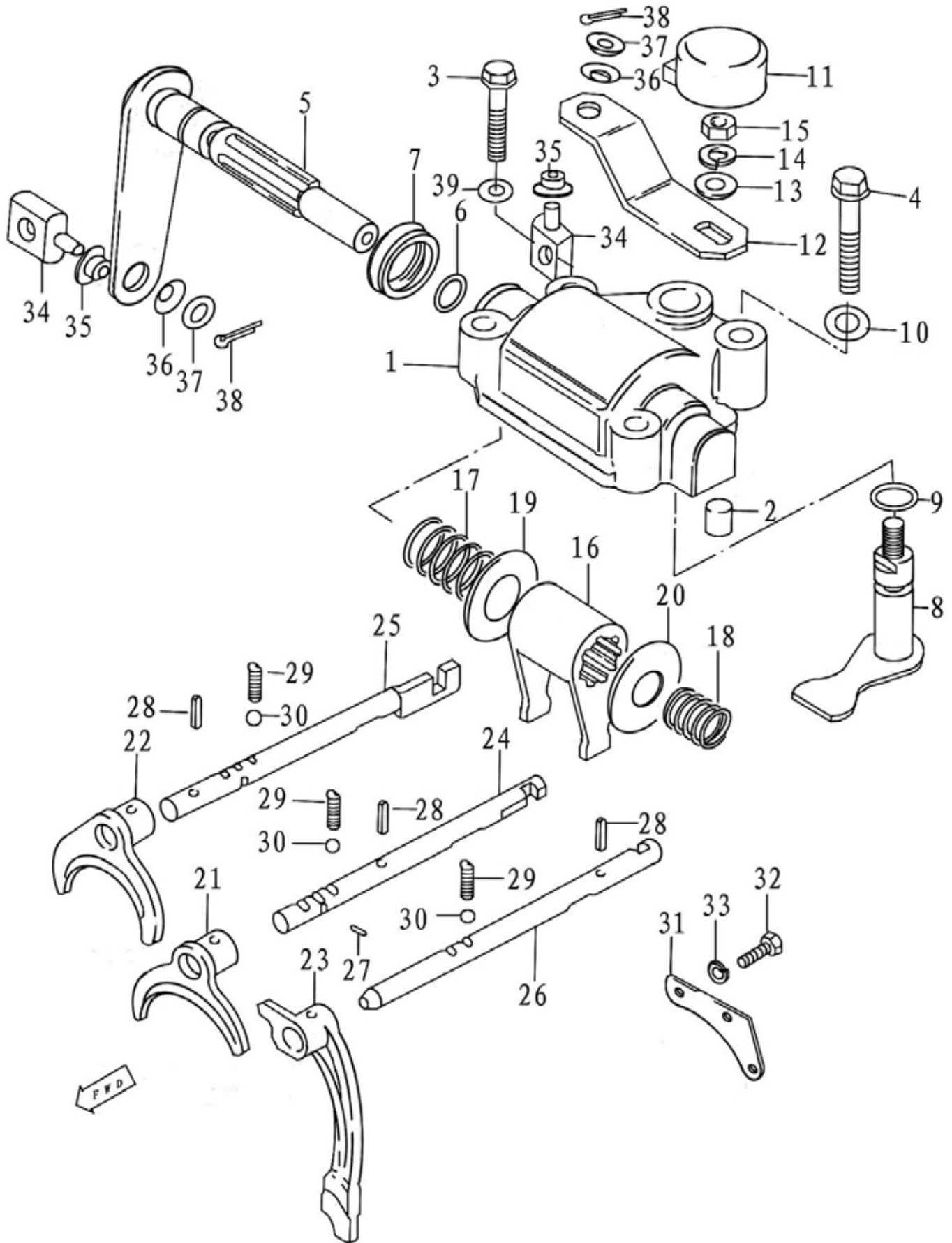
# 3-5 Transmission House



Item No.	STAR EV Part No.	Description	MPN	Qty
1		Top & bottom housing assembly	1701012-MR406A01	1
2		Cylindrical pin	1702261-MR406A01	1
3		Bolt M8×95	Q/JZ0904	2
4		Bolt M8×40	Q/JZ0904	4
5		Bolt M8×80	Q/JZ0904	4
6		Bolt M8×80	Q/JZ0904	1
7		Top housing cover	1702213-MR406A01	1
8		Extension housing assembly	1702040-MR406A01	1
9		Seal ring assembly	1702045-MR406A01	1
10		Hoist ring	1702231-MR406A01	1
11		Cylindrical pin	1702261-MR406A01	2
12		Bolt M8×30	Q/JZ0904	7
13		Bolt M8×30	Q/JZ0904	1
14		Plug	1709905-MR406A01	2
15		Plug	1702055-MR406A01	1
16		Reverse light switch	1709910-MR406A01	1
17		O-ring	GB3452.1-82	1
18		Clip	1702251-MR406A01	2
19		Exhaust plug	1702044-MR406A01	1

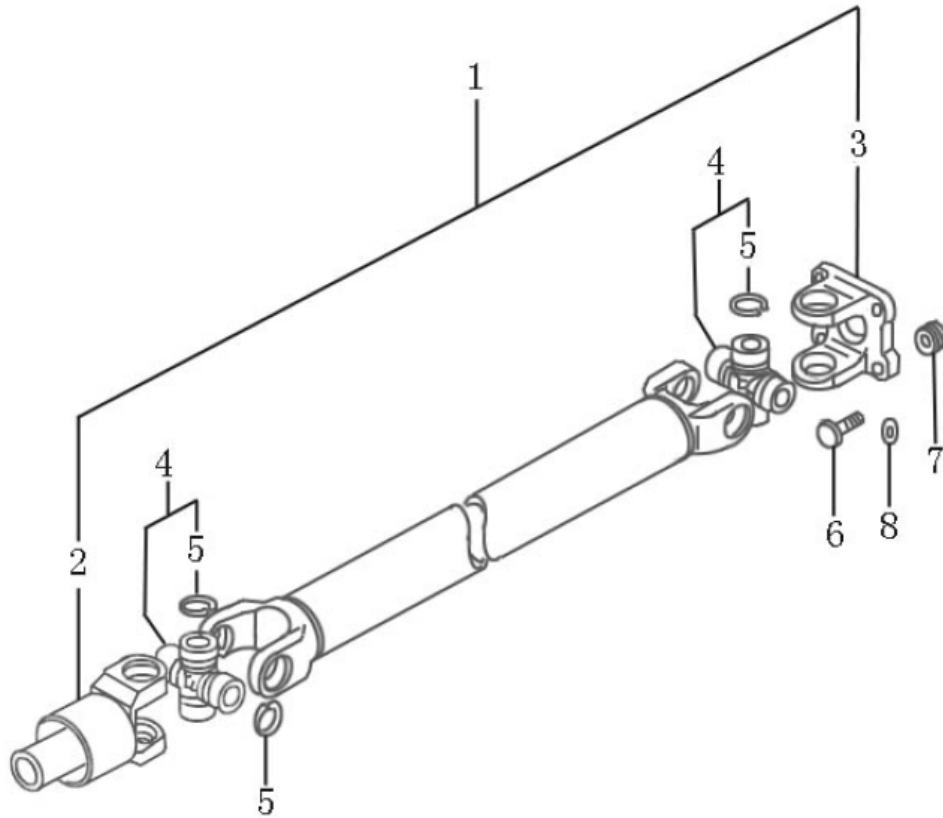


# 3-6 Transmission Control



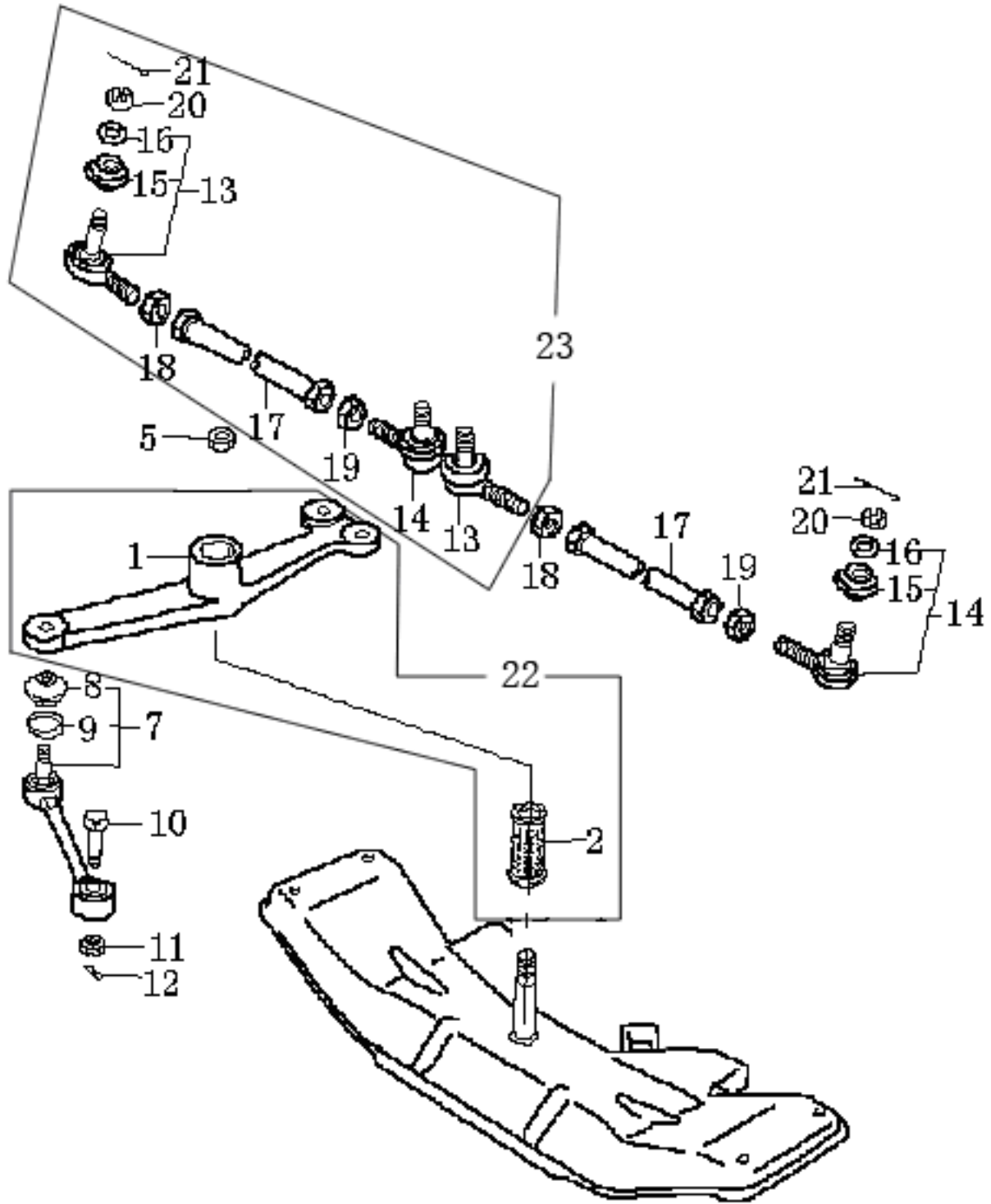
Item No.	STAR EV Part No.	Description	MPN	Qty
1		Shift cranker shaft case	1702042-MR406A01	1
2		Location pin	GB119-86 A6×12	1
3		Screw	Q/JZ0904	3
4		Screw		1
5		Shift cranker shaft Assembly		1
6		Rubber gasket	GB3452.1-82	1
7		Rubber cap	1702095-MR406A01	1
8		Shifting arm shaft	1702097-MR406A01	1
9		Rubber gasket	GB3452.1-82	1
10		washer		1
11		Rubber cap	1702096-MR406A01	1
12		Rocker	1702120-MR406B01	1
13		Washer	GB97.1-85 M8	1
14		Spring washer	GB859-87 M8	1
15		Nut	GB6170-86 M8	1
16		Shifting fork	1702092-MR406A01	1
17		Spring	1702093-MR406A01	1
18		Spring	1702215-MR406A01	1
19		Washer	1702094-MR406A01	1
20		Washer	1702102-MR406A01	1
21		1st/2nd shift fork	1702026-MR406A01	1
22		3 rd/4th shift fork	1702029-MR406A01	1
23		Reverse fork	1702025-MR406A01	1
24		1st/2nd shift fork shaft	1702059-MR406A01	1
25		3 rd/4th shift fork shaft	1702068-MR406A01	1
26		Reverse fork shaft	SC110-1702069	1
27		Lockself pin	GB309-84	1
28		Spring pin	Q/JZ0903	3
29		Spring	1702087-MR406A01	3
30		Steel ball	GB308-89 7.9375	5
31		Baffle	1702088-MR406A01	1
32		Screw	Q/JZ0904	2
33		Spring washer		2
34		Rocker connecting		2
35		Bush		2
36		Saddle spring washer		2
37		Washer		2
38		Split pin		2
39		Washer		3

## 3-7 Propeller Shaft Assembly



Item No.	STAR EV Part No.	Description	MPN	Qty
1	2DS000	Shaft assembly, propeller	2202100-009	1
2		Sliding yoke assembly	1010-2201120A	1
3		Flange	1010-2201110A	1
4	2DS010	Spider assembly	1010-2201140A	2
5	2DS011	Retainer, holespring	1010-2201147A	8
6		Bolt, hex-head	GB5783-M8×25	4
7		Nut assembly	Q150B08	4
8		Washer	GB93-87 8	4

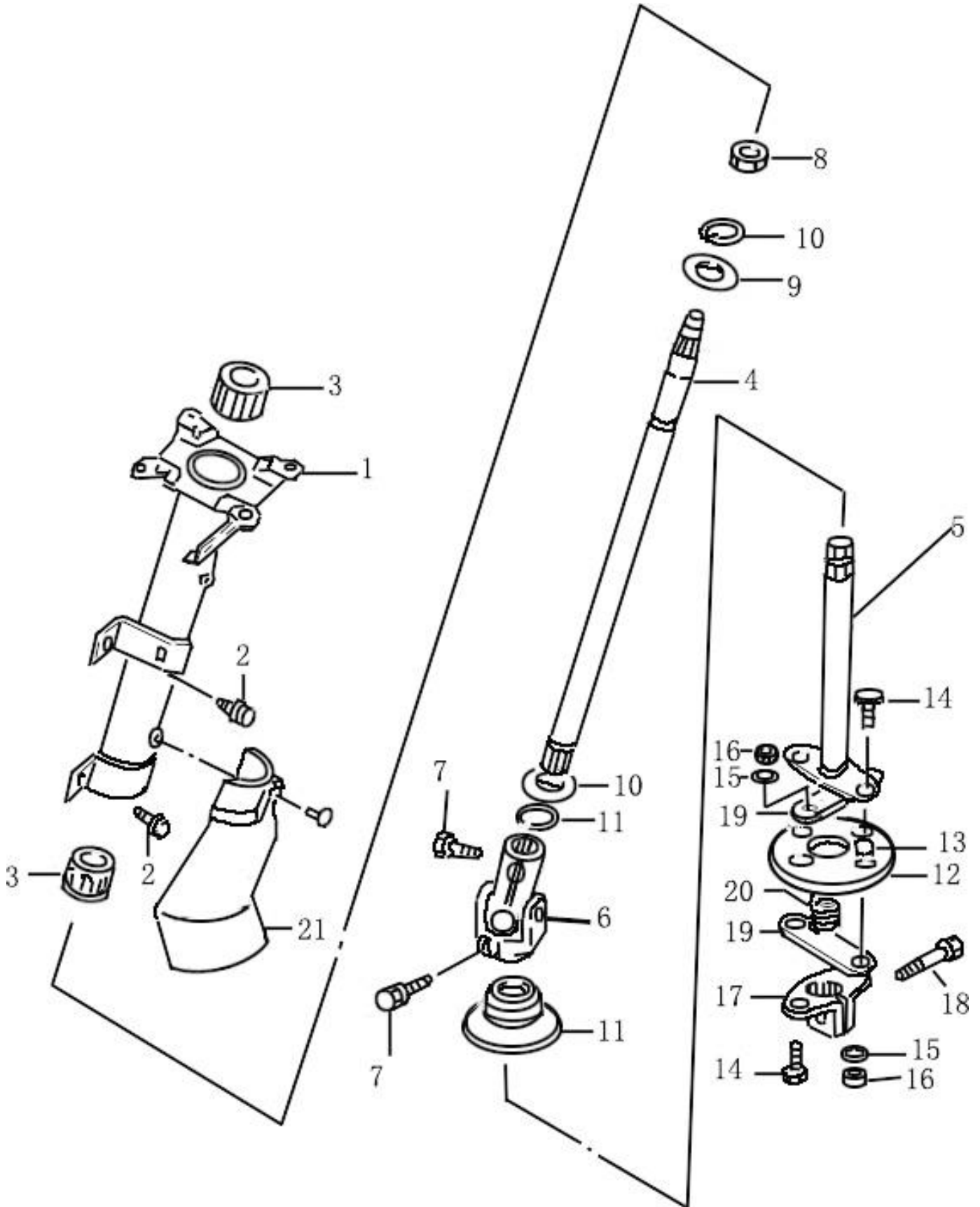
# 4-1 Pitman Arm, Drag Link, Tie Rod

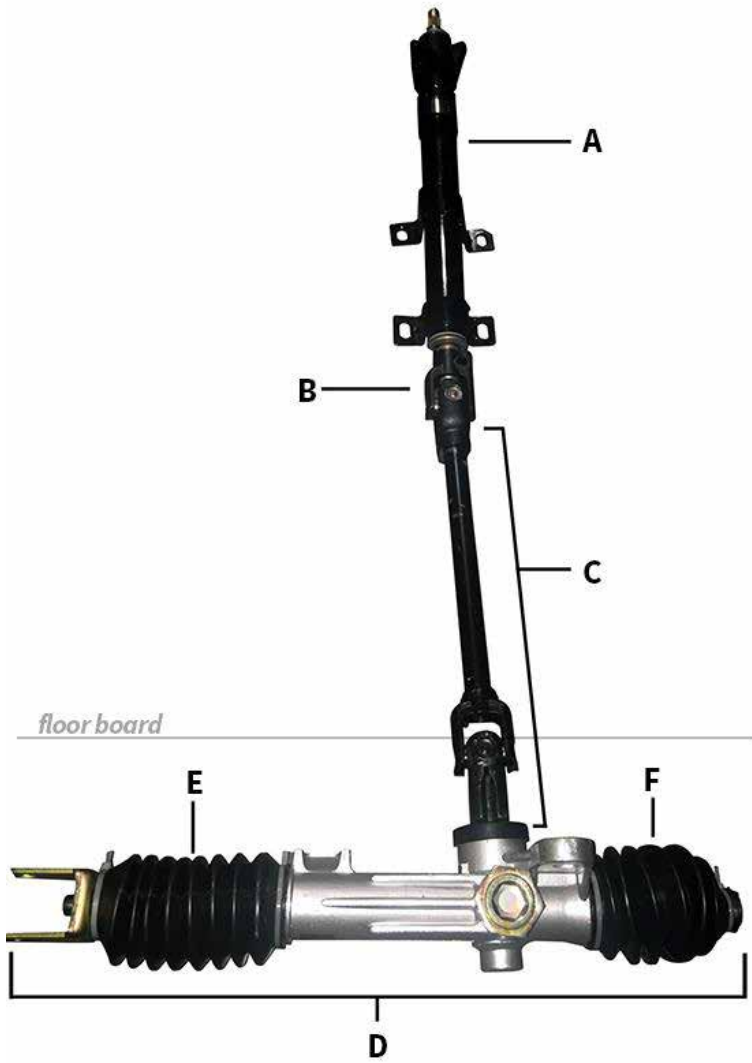


Item No.	STAR EV Part No.	Description	MPN	Qty
1	2ST700	Pitman arm	2706200-014	1
2	2BS500	Pitman arm bush	3402-3003110A	1
3		Pitman arm dust cap	3402-3003001A	
4		Pitman arm washer	3402-3003002A	
5		Pitman arm nut	18×1.5Q/7Am-218-92.8	1
6		Pitman arm lock washer		1

7		Steering drag link Assembly	6082-2706010	1
8		Dust cap	3402-3003217A	2
9		Lock spring	3402-3003218A	2
10		Steering drag link bolt		1
11		Nut	M12×12.5A/7Am-216-92	2
12		Split pin	GB91-3.2×24-Zn-D	2
13	2TI050	Ball joints for tie rod (set, LH and RH thread)	2706120-036	2
14				2
15		Dust cap	3402-3003217A	4
16		Lock spring	3402-3003218A	4
17	2TI200	Tie rod	2706300-014	2
18		Nut (right)	M14×1.5Q/7Am-211-8	2
19		Nut (left)	M14×1.5Q/7Am-211-8	2
20		Nut	M12×1.25Q/7Am-216-92	4
21		Split pin	GB91-3.2×24-Zn-D	4
22	2ST700	Pitman arm assembly	2706200-014	1
23	2TI200	Steering tie rod assembly	2706300-014	2

## 4-2 Steering Shaft Assembly



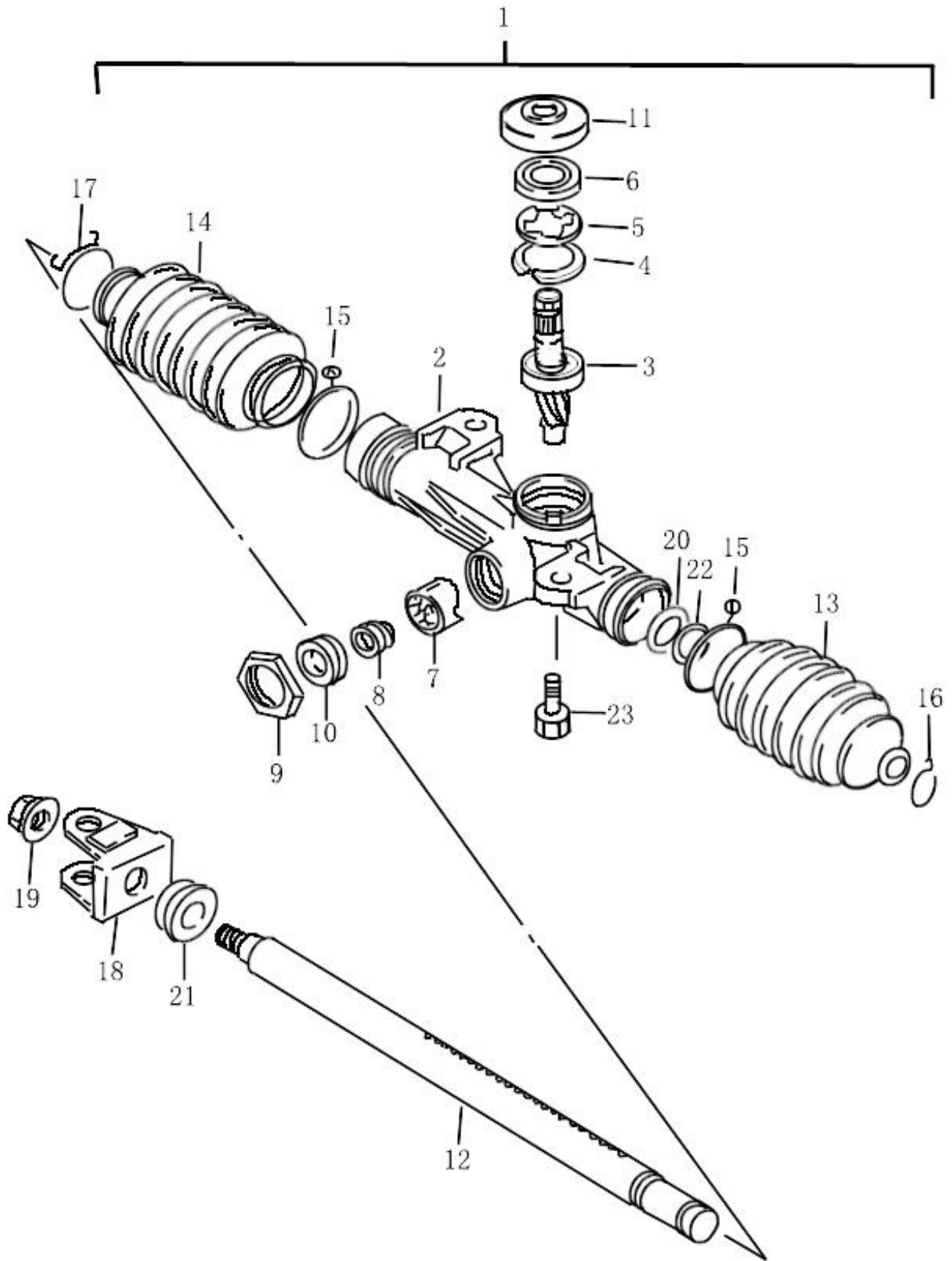


Item No.	STAR EV Part No.	Description	MPN	Qty
1	2ST110	Steering column, assembly	2705100-002	1
2		Steering column bolt (discontinued)	3403-011	4
3	2BS520	Steering column bushing	3403-012	2
4		Steering upper shaft (part of item 1)	3403-020	1
5	2ST200	Steering lower shaft	2704300-005	1
6	2ST300	Universal joint	2704100-001	1
7		Upper tie end bolt (discontinued)	3403-031	2
8	2ST211	Steering shaft nut	3403-021	1
9		Steering shaft washer (discontinued)	Q40308	2
10		Steering shaft spring washer (discontinued)	GB/T894.1-1986-17	2
11		Dust seal of Steering shaft (discontinued)	3403-022	1
12	2BS610	Coupling rubber	0303-044	1
13	2BS600	Coupling rubber bushing	3403-043	4
14		Bolt (discontinued)	3403-041	4
15		Spring washer (discontinued)	Q40312	4
16		Nut (discontinued)	Q340B08	1
17		Tie flange end (discontinued)	3403-045	1
18		Coupling rubber bolt (discontinued)	0403-046	1

19	2BS620	Coupling rubber plate (discontinued)	34703-042	2
20		Spring (discontinued)	3403-044	1
21		Steering tie end cover (discontinued)	3403-013	1
A	2ST110	Steering column, assembly	2705100-002	1
B	2ST300	Universal joint	2704100-001	1
C	2ST200	Steering lower shaft	2704300-005	1
D	2ST540	Steering gear assembly	2701100-005	1
E	2ST001	Boot	3401-050	1
F	2ST002	Boot	3401-060	1
G	2ST003	Dust seal (rubber boot)	3403-22	1

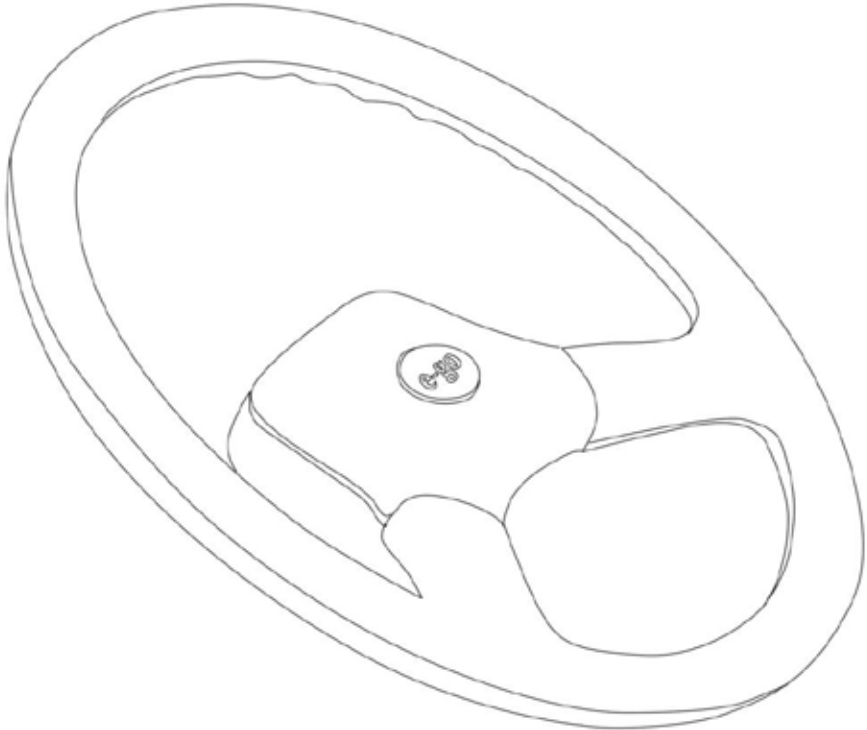


# 4-3 Steering Gear Assembly



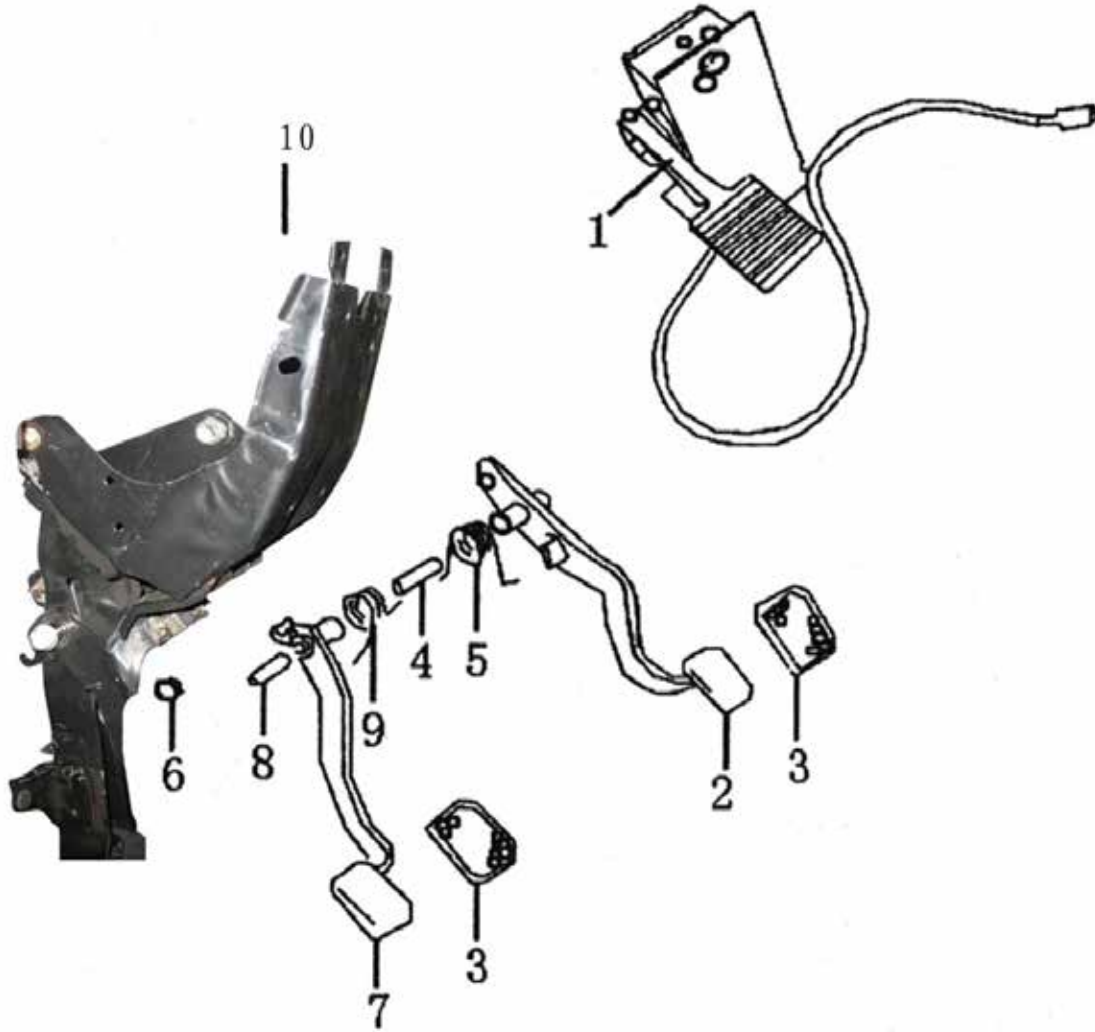
Item No.	STAR EV Part No.	Description	MPN	Qty
1	2ST540	Steering gear assembly	2701100-005	1
2		Steering gear housing	3401-010	1
3		Pinion	3401-020	1
4		Gear bearing spring washer	3401-021	1
5		Gear bearing washer	3401-022	1
6		Steering gear oil seal	3401-023	1
7		Steering rack plug	3401-030	1
8		Rack plug spring	3401-031	1
9		Rack damp nut	3401-032	1
10		Rack damp bolt	3401-033	1
11		Cap of pinion	3401-024	1
12		Steering rack	3401-040	1
13	2ST001	Dust boot 1 of rack	3401-050	1
14	2ST002	Dust boot 2 of rack	3401-060	1
15		Dust boot of rack, lock	3401-061	2
16		Dust boot of rack, lock 1	3401-052	1
17		Dust boot of rack, lock 2	3401-053	1
18		York, rack	3401-041	1
19		York nut, rack	3401-042	1
20		Limit ring of rack,no.1	3401-053	1
21		Limit ring of rack,no.2	3401-043	1
22		Limit ring of rack, spring	3401-054	1
23		Bolt of steering gear	Q/2A-CJ-175A-M10×1.25×45-8.8	2

# 4-4 Steering Wheel Assembly



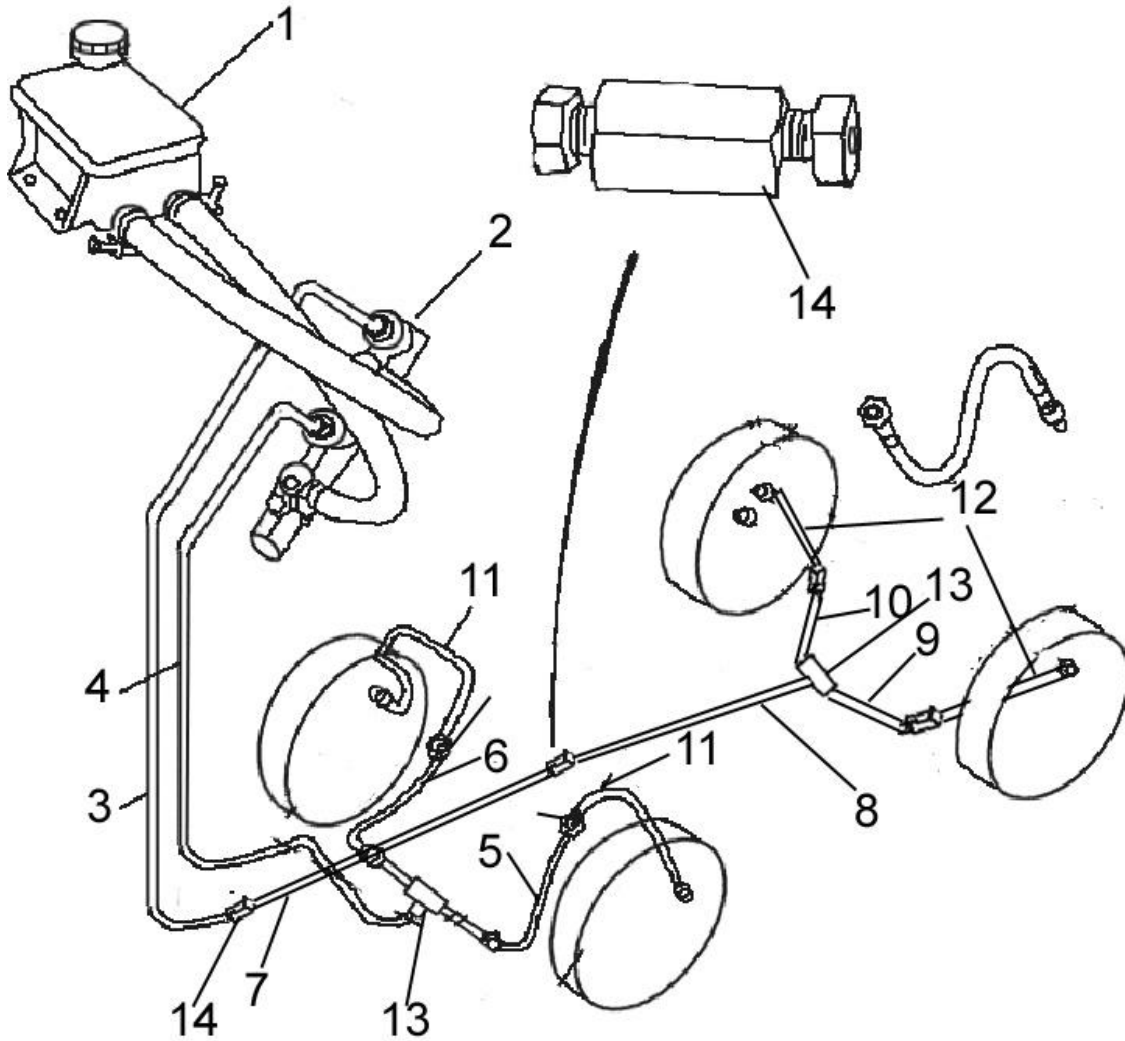
Item No.	STAR EV Part No.	Description	MPN	Qty
1	2SL000	Steering wheel assembly	2702100-002	1

## 5-1 Accelerator, Clutch, Brake Pedal, Bracket



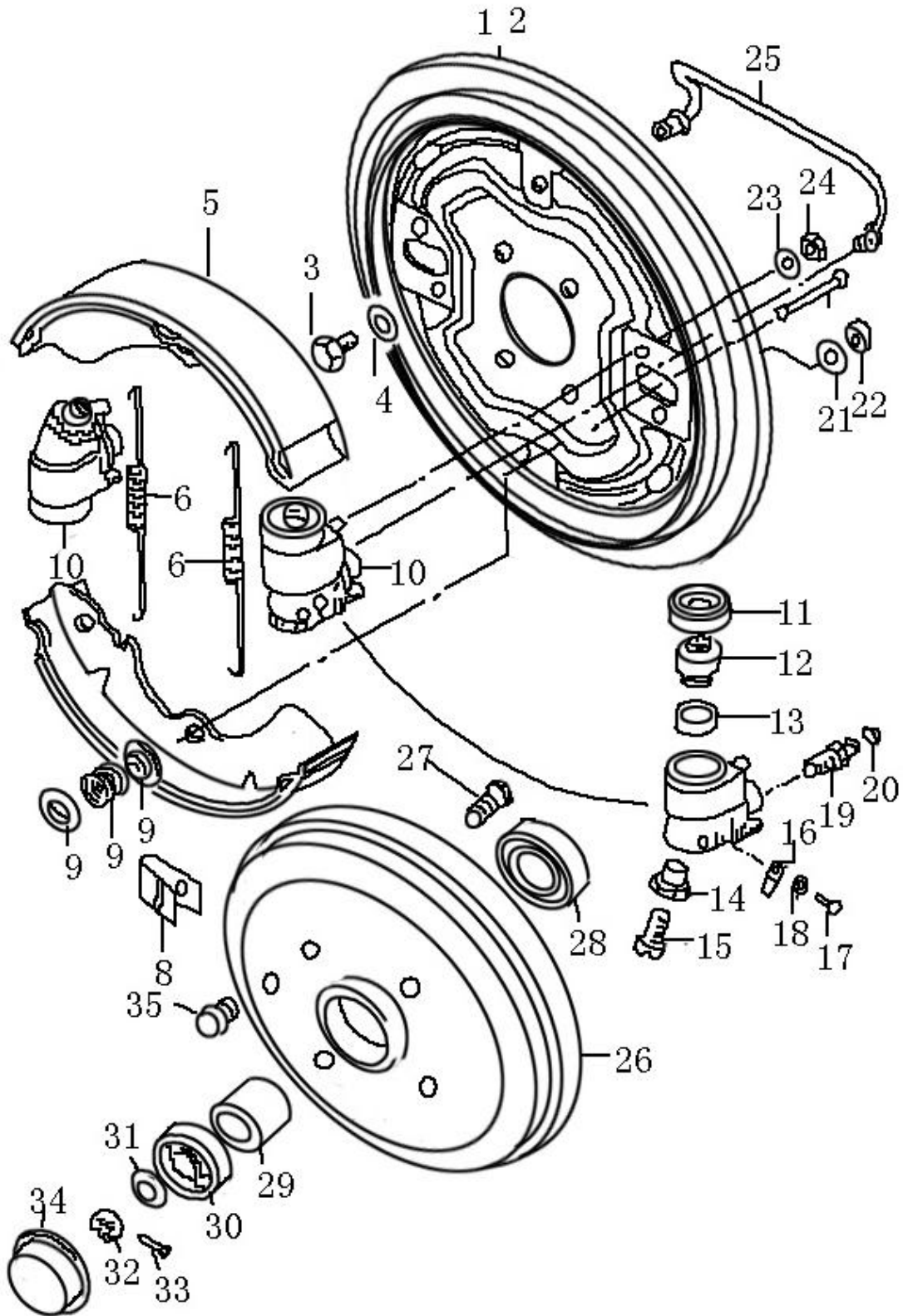
Item No.	STAR EV Part No.	Description	MPN	Qty
1	2AC600	Accelerate pedal assembly	1007100-002	1
2		Brake pedal assembly	3504-3504110	1
3	2PD010	Pedal mat	2803131-022	2
4		Brake pedal bushing	3504-10107	1
5	2PD001	Brake pedal return spring	2803111-022	1
6		Brake pedal shaft nut	3504-20103	1
7	2PD002	Clutch pedal assembly	3504-85011	1
8		Clutch pedal bushing	3504-10042	1
9		Clutch pedal spring	3504-29004	1
10	2PD000	Brake & clutch pedal assembly	2803100-002	1

## 5-2 Reservoir Assembly and Brake Pipe



Item No.	STAR EV Part No.	Description	MPN	Qty
1		Reservoir Assembly	6083-2805020	1
2	2MC000	M/CYL assembly	1010-3505000	1
3	2TB050	Oil pipe 1880mm	2805020-011	1
4	2TB120	Oil pipe 1500mm	2805020-013	1
5	2TB051	Oil pipe 420mm	2805020-003	1
6		Oil pipe 550mm	2805020-012	1
7	2TB050	Oil pipe 1880mm	2805020-011	1
8	2TB140	Oil pipe 600mm	2805020-004	1
9, 10		Oil pipe 550mm	2805020-012	2
11	2TB001	Brake cable 350mm	2805030-005	2
12	2TB100	Brake cable 600mm	2805030-008	2
13	2TB270	Tri-connector	2805014-002	2
14	2TB040	Straight connector	2805016-001	2

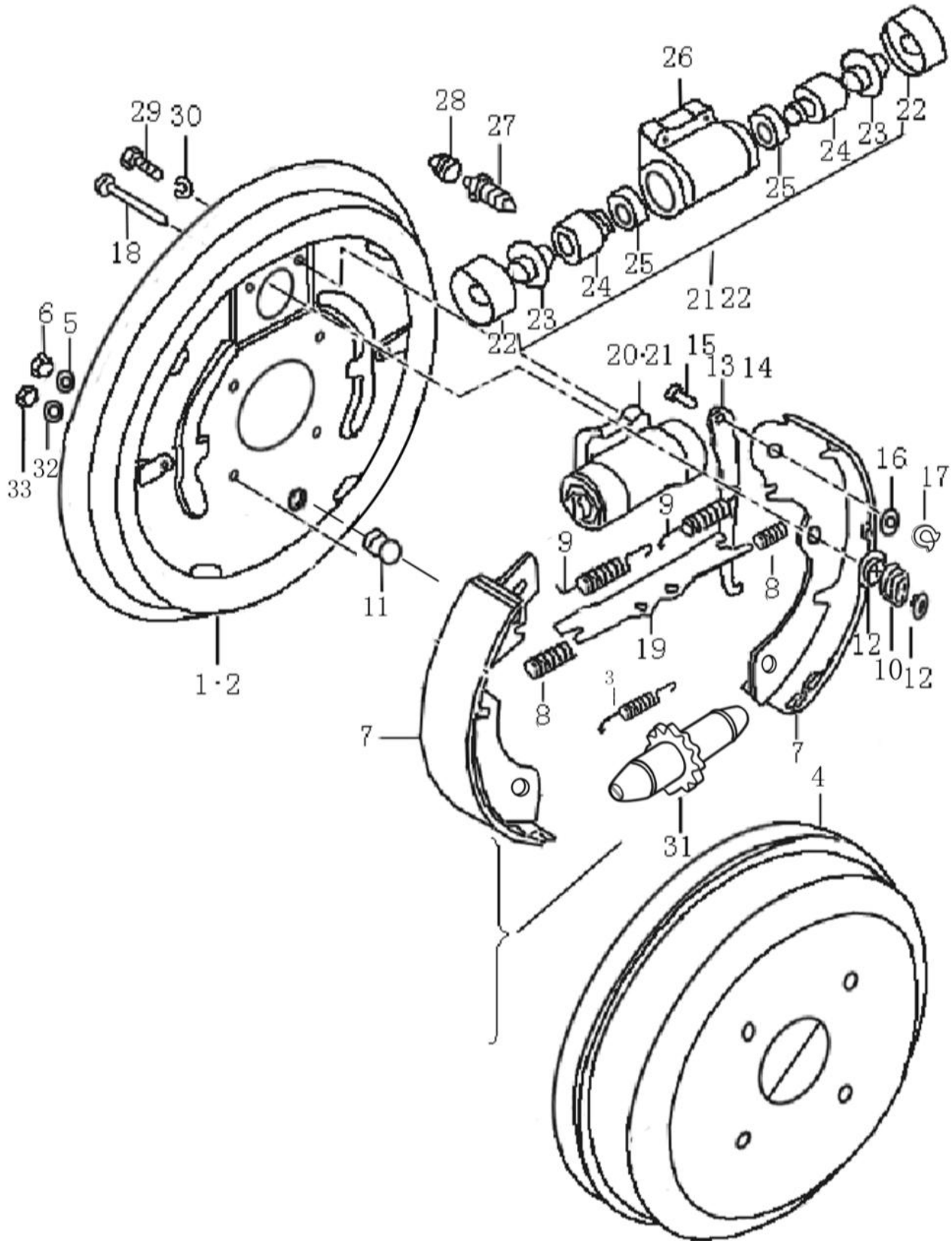
## 5-3 Front Drum Brake Assembly



Item No.	STAR EV Part No.	Description	MPN	Qty
1	2BP027	Brake assembly front, RH	2801200-005	1
2	2BP026	Brake assembly front, LH	2801100-005	1
3		Bolt washer assembled	GB5783-M8×20-8.8-ZnD	8

4		Spring washer	GB93-87 8	8
5	2SH020	Brake shoe assembly	6082-2801080	4
6		Spring	3501-3501101	4
7		Flat head screw	3501-3502107	4
8		Flat spring	3501-3502109	4
9		Spring washer	3501-3502110	4
10	2CY202	Leading cylinder assembly, RH	2801130-005	1
10	2CY203	Leading cylinder assembly, RH	2801120-005	1
10	2CY200	Trailing cylinder assembly, LH	2801230-005	1
10	2CY201	Trailing cylinder assembly, LH	2801220-005	1
11		Dust boot	3501-3501313	4
12		Piston	3501-3501311	4
13		Bowl plug	3501-3501312	4
14		Adjusting key	3501-3502534	4
15		Adjusting screw	3501-3502532	4
16		Flat spring	3501-3501314	4
17		Screw	3501-3501316	4
18		Spring washer	GB859-87 4	4
19		Bleed plug	3501-3502318	2
20		Rubber cap	3501-3502319	2
21		Spring washer	GB93-87 8	2
22		Small Hex-head nut	GB6170-87M8-ZnD	2
23		Spring washer	GB859-87 6	2
24		Hex-head nut	GB6170-87-M6-8-ZnD	2
25		Brake pipe	3501-3501160	2
26	2DR040	Front drum brake	2801310-005	2
27		Blot	3501-3501503	8
28	2BE003	Inner bearing	60205GB278	2
29	2BS100	Bush	3501-3501502	2
30	2BE002	Outer bearing	204GB276	2
31		Washer	GB97.1-16-140HV-ZnD	2
32		Nut	M16×1.5Q/7Am-216	2
33		Split pin	Gb91-4×30-ZnD	2
34		Shaft dust boot	1010-2901003A	2

## 5-4 Rear Brake Assembly

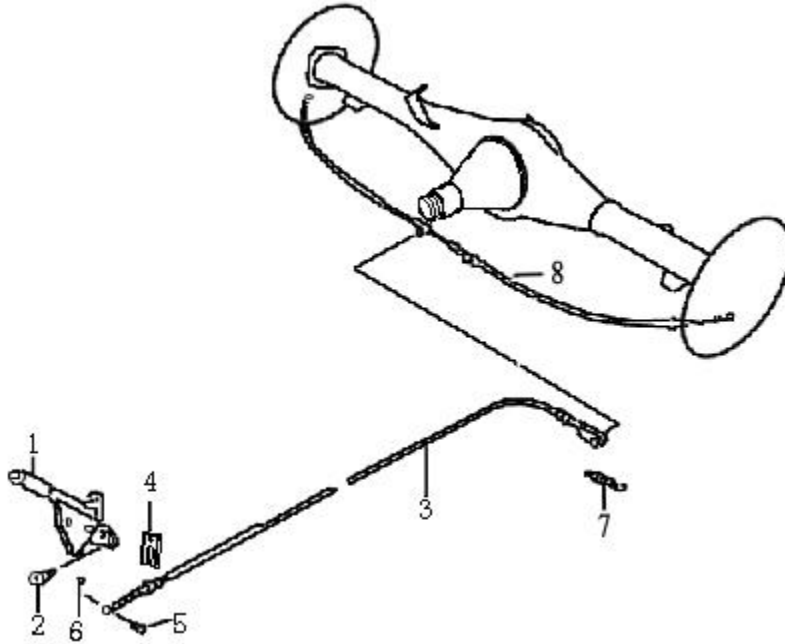


Item No.	STAR EV Part No.	Description	MPN	Qty
1	2BP028	Brake assembly rear, LH	HX8020-3502300	1
2	2BP029	Brake assembly rear, RH	HX8020-3502400	1



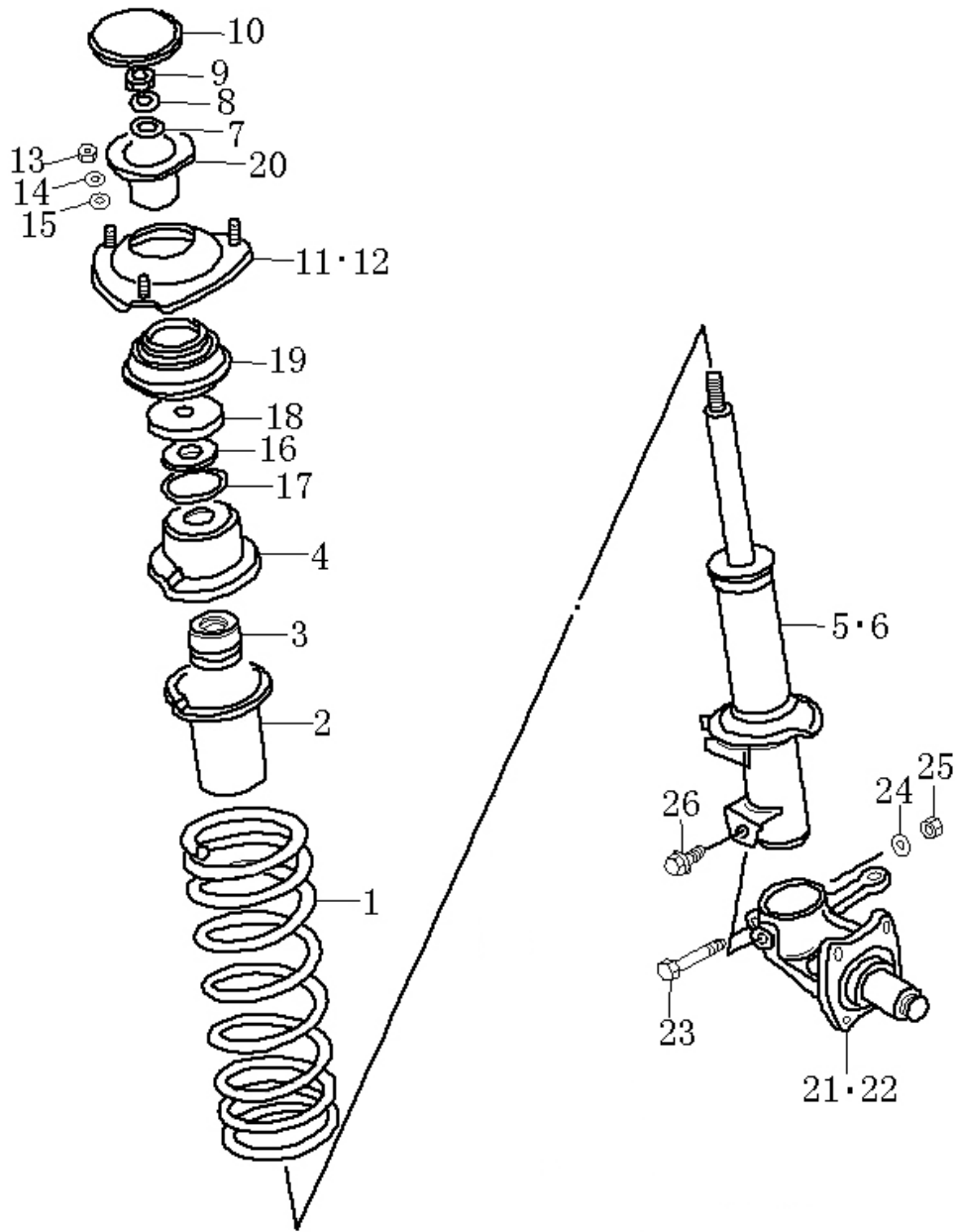
3		Spring		2
4		Rear Brake Drum	1012-350212111	2
5		Spring washer	GB859-87 8	8
6		Retainer strut nut	GB6170-8-M8-8-ZnD	8
7	2SH030	Front brake shoe	1030-2801010	4
		Rear brake shoe		4
8		spring		4
9		Rear brake shoe return spring	3502-3502102	4
10		spring		4
11		Rubber plug	3502-3501504	2
12		Washer		8
13		Right parking brake lever	3502-3502106	1
14		Left parking brake lever	3502-3502105	1
15		Parking brake shoe pin	3502-3502108	2
16		Brake shoe pin shim	3502-3502111	2
17		Split pin	GB91-86-2×12-ZnD	2
18		Hold-down pin	3502-3502107	4
19		Parking brake strut	3502-3502114	2
20	2CY204	Rear wheel cylinder RH	EG8180-3502510	1
21		Rear wheel cylinder LH	3502-3502300	1
22		Rear wheel cylinder boot	3502-3502313	4
23		Rear wheel cylinder strut	3502-3502314	4
24		Rear wheel cylinder piston	3502-3502312	4
25		Rear wheel cylinder cup	3502-3502311	4
26		Rear wheel cylinder housing	3502-3502315	2
27		Bleed plug	3502-3502318	1
28		Rubber cap	3502-3502315	1
29		Bolt Hex –head castle	GB5783-89-M6×12-ZnD	4
30		Spring washer	GB93-87 6 ZnD	4
31		Fixed strut assembly	3502-3502500	2
32		Spring washer	GB93-87-8-ZnD	4
33		Small nut hex –head castle	GB6170-86-M8-8-ZnD	4

## 5-5 Parking Brake Handle



Item No.	STAR EV Part No.	Description	MPN	Qty
1	2PB110	Parking brake control handle	2807100-002	1
2		Parking brake lever bolt	01550-08203	2
3	2CB060	Parking brake cable assembly 1	2807200-003	1
4		Cable split retaining ring 1	09383-12001	1
5		Cable clutch pin 1	09200-08049	1
6		Cable clutch pin 1	04111-25126	1
7		Cable return spring	09443-15008	1
8	2CB061	Parking brake cable assembly 2	1018-3508100	1

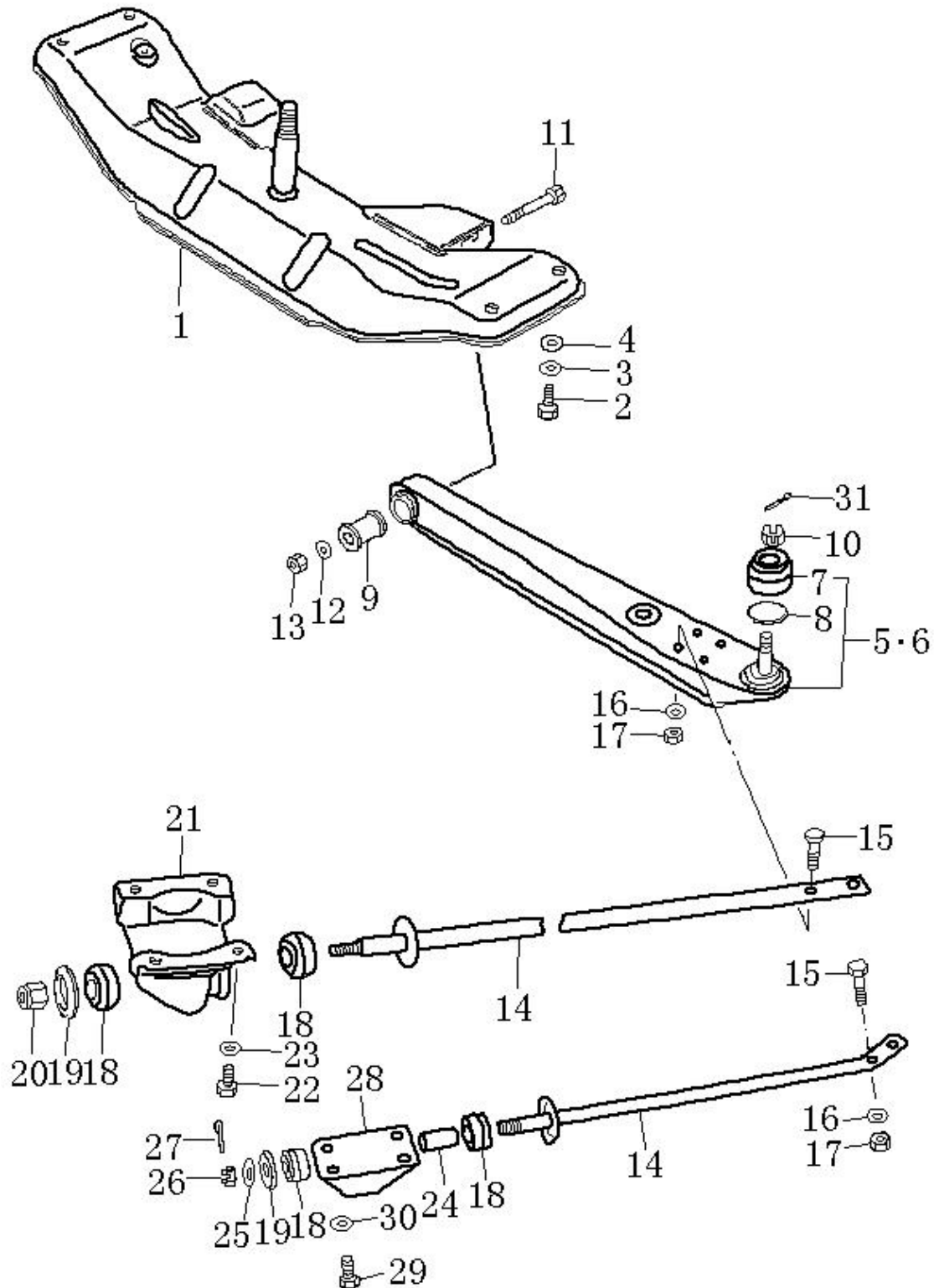
## 6-1 Front Suspension



Item No.	STAR EV Part No.	Description	MPN	Qty
1		Front coil spring	1010-2905308A	2
2		Front coil spring seat	1010-2905306A	2
3		Spring bumper	1010-2905307A	2
4		Upper spring seat	1010-2905305A	2
5	2SC020	Strut assembly, RH	2501200-006	1
6	2SC010	Strut assembly, LH	2501100-006	1
7		Washer	1010-2905344A	2
8		Spring washer	GB93-87-14-ZnD	2
9		Hex-head nut	GB93-87-M12-ZnD	2
10		Front strut support cap	1010-2905343A	2
11		Front strut support, RH	1010-2905420A	1

12		Front strut support, LH	1010-2905320A	1
13		Nut	GB6170-M8-8-ZnD	6
14		Spring washer	GB93-87 8	6
15		Washer	GB97.1-8-140HV-ZnD	6
16		Strut thrust bearing	1010-2905303A	2
17		Dust stal strut bearing	1010-2905304A	2
18		Bearing seat	1010-2905302A	2
19		Front strut rubber support	1010-2905342A	2
20		Thrust rebound Stopper	1010-2905341A	2
21	2SP120	Steering knuckle, RH	2302200-005	1
22	2SP121	Steering knuckle, LH	2302100-005	1
23		Steering knuckle bolt	GB783-Mx-ZnD	2
24		Steering knuckle spring washer	GB93-87	2
25		Steering knuckle nut	GB6170-M	2
26		Steering knuckle nut	GB6170-M	2

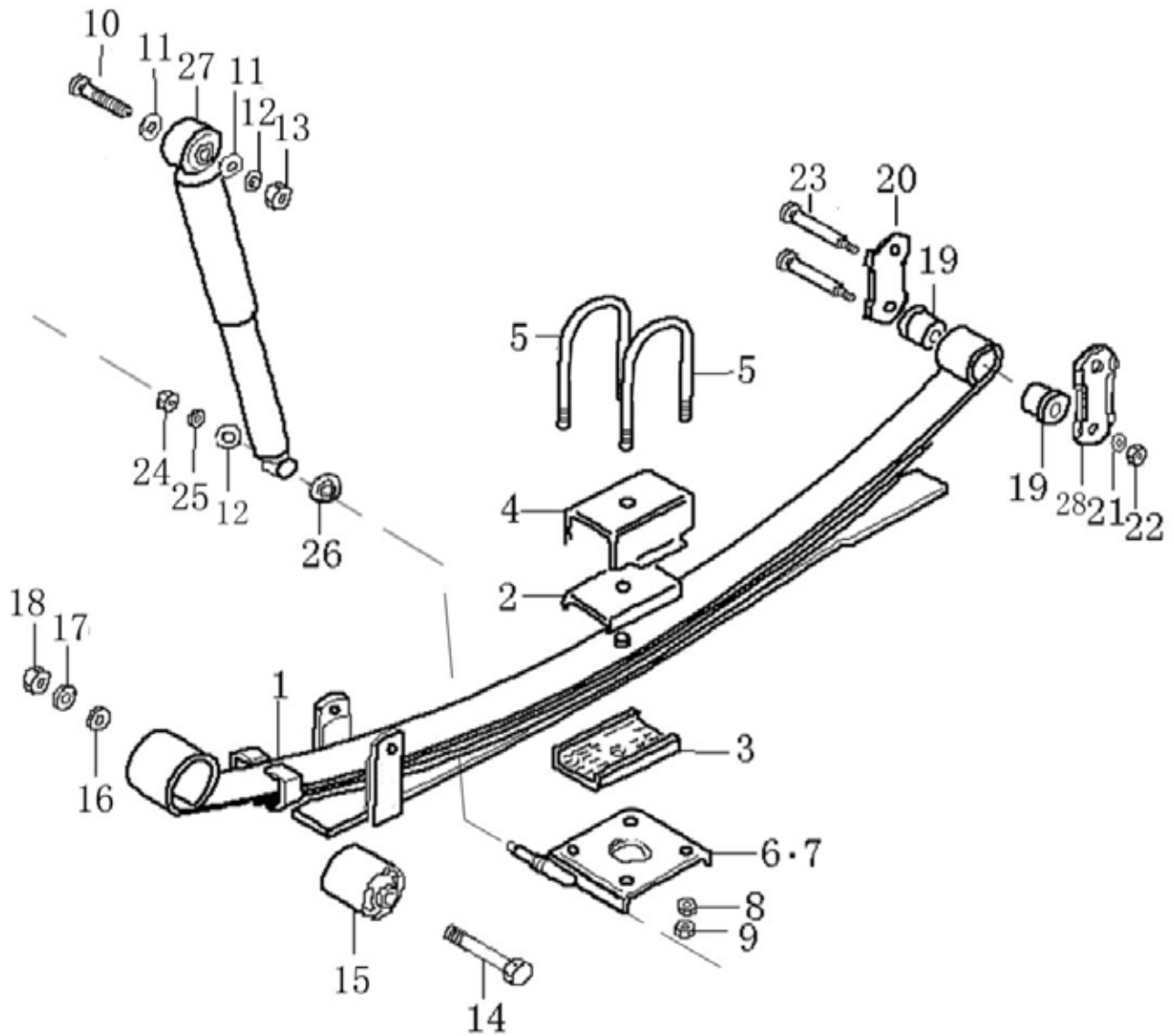
## 6-2 Front Suspension Frame



Item No.	STAR EV Part No.	Description	MPN	Qty
1	2SC000	Front suspension frame	2503100-014	1
2		Bolt	B5876-M10×12.5×30-8.8	4
3		Spring washer	GB93-87 10	4
4		Washer	GB97.1-10-140HV-ZnD	4

5	2SC050	Front suspension arm assembly, RH	2503200-014	1
7		Boot assembly	1010-2904150A	2
8		Clip	1010-2904101	2
9	2BS211	Bush	1010-2904140	2
10		Nut	M12-12.5Q/7Am-216	2
11		Bolt	Q151C1075TF	2
12		Spring washer	GB93-87 10	2
13		Nut	M10×12.5A/7Am-217	2
14		Tension rod assembly	6153-2502010	2
15		Bolt	B5786-M10×12.5×25-8.8	4
16		Spring washer	GB93-87 10	4
17		Nut	M10×12.5Q/7Am-211-8	4
18	2BS530	Tension rod bush	45341-77A00	4
19		Tension rod washer	1010-2902102	2
20		Tension rod nut		2
21		Tension rod plank		2
22		Tension rod plank Bolt		8
23		Tension rod plank spring washer		8
24		Tension rod bush	1010-2902103	2
25		Washer	GB97.1-14-140HV-ZnD	2
26		Nut	GB9459-M14×1.5	2

## 6-3 Rear Suspension

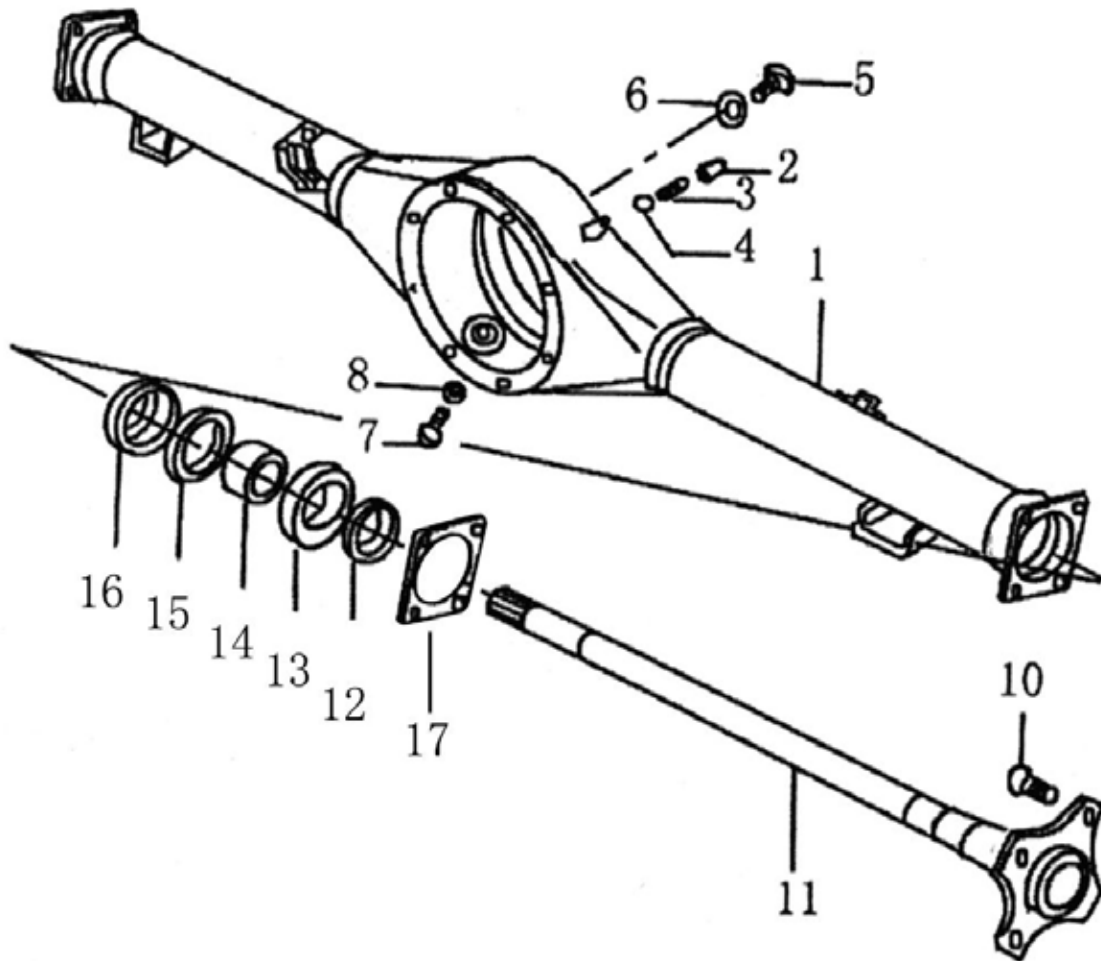


Item No.	STAR EV Part No.	Description	MPN	Qty
1	2LF060	Rear leaf spring assembly	2508100-008	2
2	2LF068	Upper pad	2509015-007	2
3	2LF069	Lower pad	2509016-007	2
4	2LF067	Rear leaf spring clamp plate	2509012-007	2
5	2LF005	Leaf spring U bolt	2509011-010	4
6	2LF058	Spring seat, RH	2509014-007	1
7	2LF059	Spring seat, LH	2509013-007	1
8		Nut	GB6171-M10×12.5-ZnD	8
9		Nut	GB6173-M10×12.5-0.5	8
10		Bolt	Q/JZ0904	2
11		Washer	Q/JZ0904	4
12		Gasket spring	Q/JZ0904	2
13		Nut	Q/JZ0904	2
14	2LF062	12x100mm Bolt	1010-2912003	2

15	2LF063	M12 Washer	Q40112	2
16	2LF064	M12 Nut	Q340B12	2
17		Washer ring	GB859-87 12	2
18		Nut	GB6171-M12×1.25-ZnD	2
19	2BS210	Bush	2509023-007	8
20		Shackle outer plate	2509022-007	2
21		Spring washer	GB859-87 10	4
22		Nut	GB6171-M10×1.25-ZnD	4
23		Shackle pin	1010-2912502A	4
24		Nut		2
25		Spring washer		2
26		Bush		2
27	2SK200	Rear shock absorber assembly	2504100-002	2
28		Shackle inner plate	2509021-007	2
n/a	2MO320	Rubber bracket for rear suspension of the motor	2104010-002	1

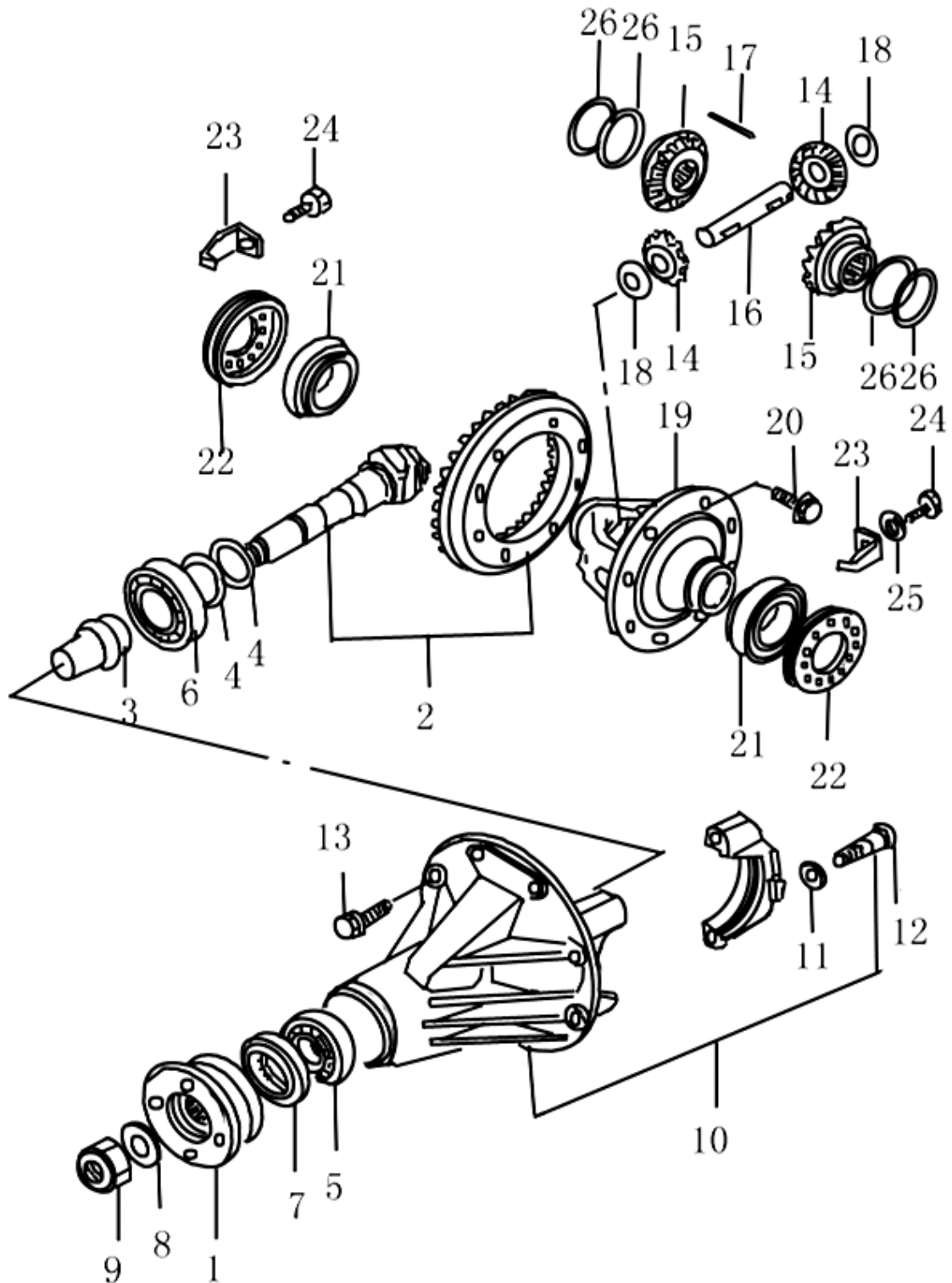


## 7-1 Half Shaft, Rear Axle House



Item No.	STAR EV Part No.	Description	MPN	Qty
1		Rear axle body	3301-2401130A	1
2		Breather valve Cap	3301-2400106A	1
3		Spring, rear axle breather valve	3301-2400104A	1
4		Breather valve	3301-2400103A	1
5		Filler bolt	3301-2400111A	1
6		Filler bolt Gasket	3301-2400109A	1
7		Drain bolt	3301-2400108A	1
8		Drain bolt Gasket	JB982-77	1
10		Axle hub Bolt	3301-2403104A	8
11		Half shaft	3301-2403140A	2
12	20L030	Hub bearing	9010007-06206-000	2
13		Axle shaft bearing	60206GB278-64	7
14	20L060	Hub bearing	9010007-6005RZ-000	2
15		Oil seal for axle shaft	42×55×7	2
16		Protector, oil seal	3301-2401102A	2
17		Retainer strut	3502-2403131A	2
18	2RE170	Rear axle assembly (includes 1-17)	2400000-006	1

## 7-2 Differential Assembly

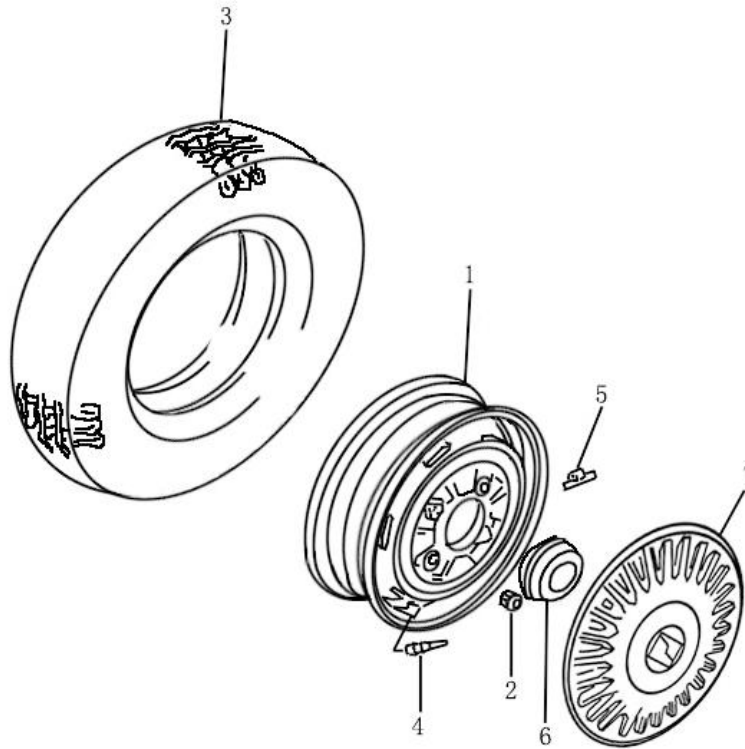


Item No.	STAR EV Part No.	Description	MPN	Qty
1		Flange	3302-2402150A	1
2	2RR023	Differential assembly	EG100A-2407000	1
3		Spacer, drive bevel	3302-2402104A	1
4		Locating shim, drive bevel	3302-2402105A	Depends
5		Front bearing, drive pinion	7204GB297-77	1

6		Rear bearing, drive pinion	7305GB307	1
7	2OL010	Seal oil, drive pinion	3302-2402120A	1
8		Washer, drive pinion	3302-2402103A	1
9		Nut, drive pinion	3302-2402110A	1
10		Differential carrier	3302-2402102A	1
11		Washer, spring	GB859-878	4
12		Bolt, differential bearing cap	GB6170-M8-8	4
13		Differential carrier bolt	GB5783-M8×25	8
14		Differential pinion	3302-2402138A	2
15		Side gear	3302-2402139A	2
16		Differential shaft	3302-2402132A	1
17		Differential pinion shaft location pin	GB879-5*45	1
18		Thrust washer	3302-2402137A	2
19		Differential carrier	3302-2402131A	1
20		Bolt, driven gear	3302-2402143A	8
21		Differential bearing	2007108GB207-77	2
22		Adjusting nut, differential bearing	3302-2402109A	2
23		Differential bearing lock	3302-2402112A	2
24		Lock bolt, differential bearing	GB5783-M8*16	2
25		Washer, spring	GB93-878	2
26		Thrust washer, differential pinion	3302-2402133A	

# 8-1 Wheel and Tire

## Steel Wheel and Tire



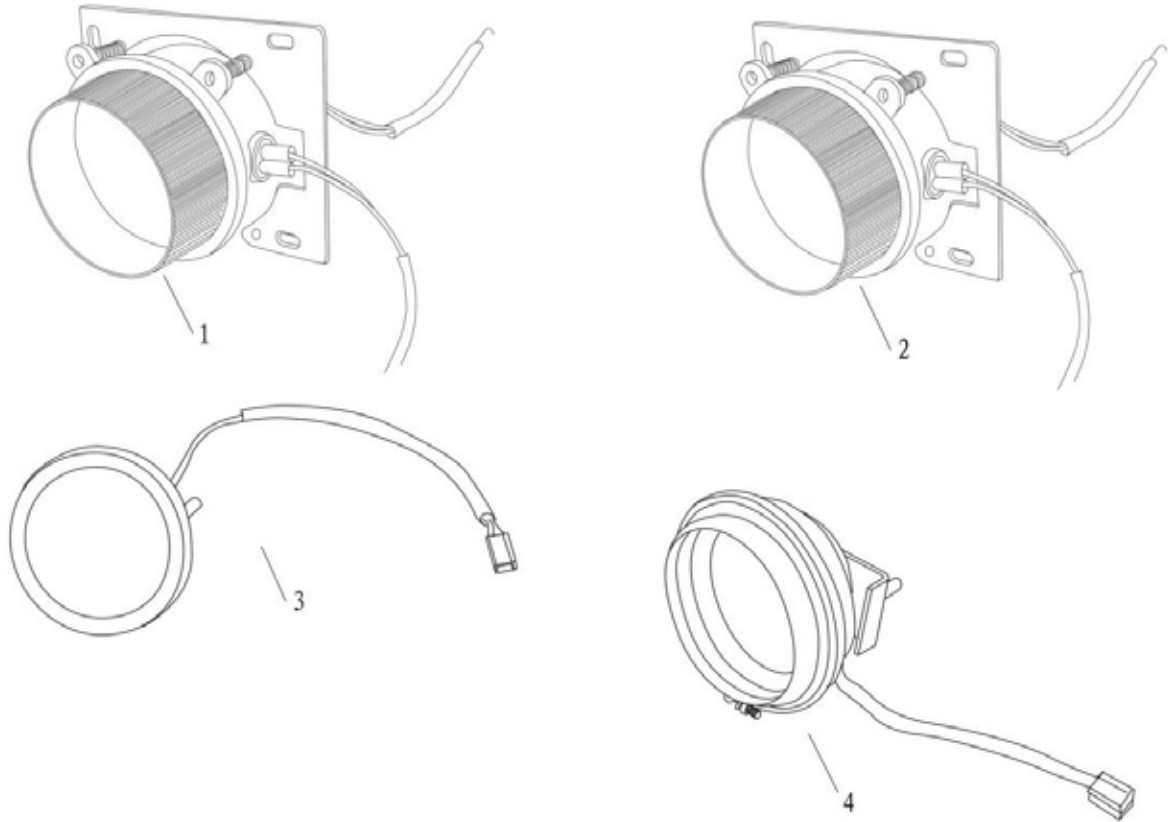
Item No.	STAR EV Part No.	Description	MPN	Qty
1		Rim assembly	2601100-008	4
2		Wheel nut	2600012-013	16
3	2TR230	Tire	2602100-006	4
	2TR210	Tire	2602100-007	4
4		Tire valve	2601210-004	4
5		Balance patch	(10g-60g)	
6		Center cap, wheel	1010-2901003A	2
7	2CC180	Hubcap	6082-2601013	4

# Aluminum Wheel and Tire



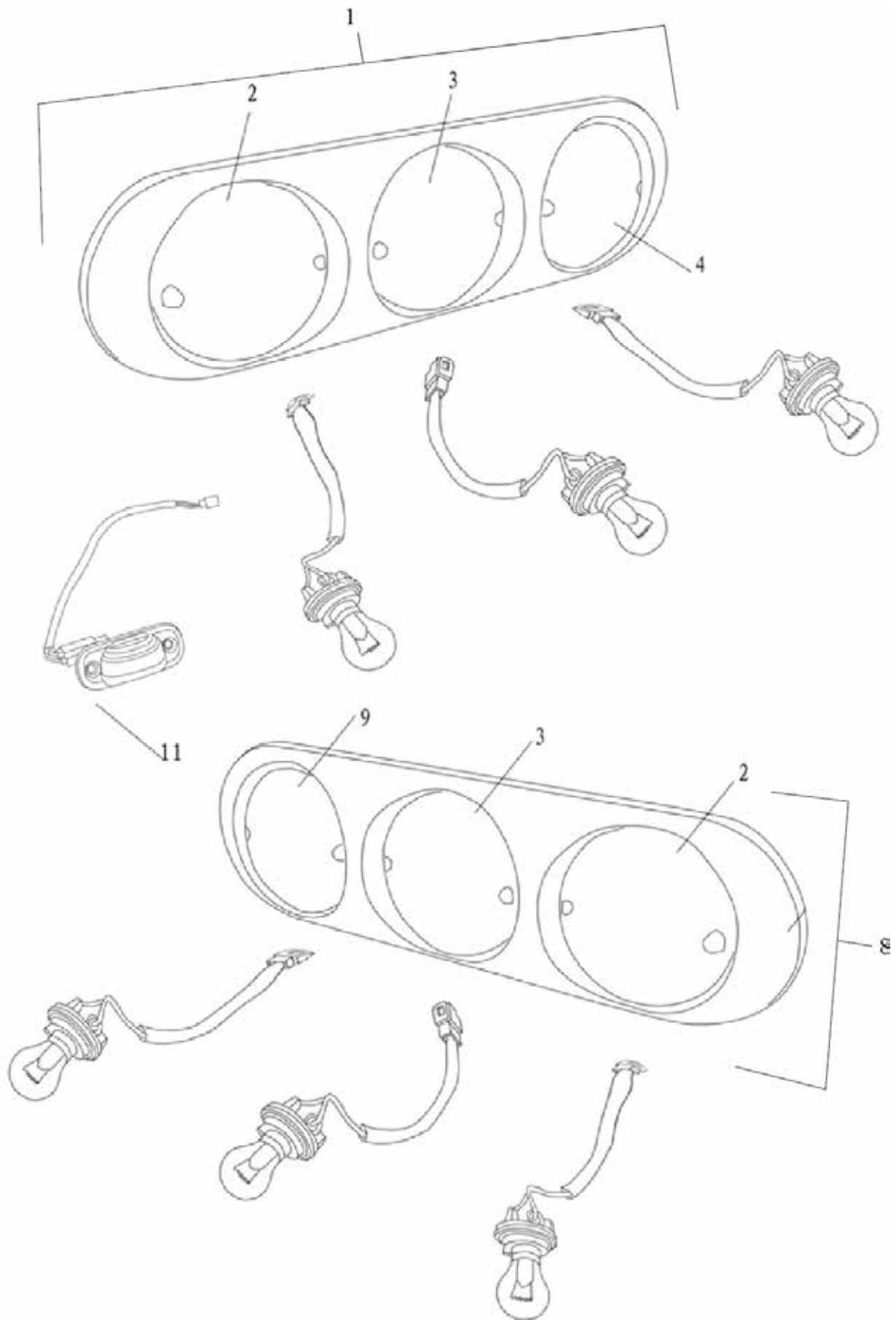
Item No.	STAR EV Part No.	Description	MPN	Qty
1	2TR230	Tire 145R12C	2602100-006	4
2	2RM900	Rim assembly	2601100-009	4
3		Wheel nut	2600012-013	16
4		Wheel bolt		16
5		Tire valve	2601210-004	4
6	2CC170	Wheel cap	6082-2601006	4

## 9-1 Front Turn Signal, Headlight, Fog Light



Item No.	STAR EV Part No.	Description	MPN	Qty
1	2LT402	Headlight LH	3101100-002	1
2	2LT403	Headlight RH	3101200-002	1
3	2LT404	Front turn signal	3109100-002	2
4	2LT407	Front fog light	3113100-001	2
5	2LB210	Headlight bulb	H4-55/60	2
6		Front turn signal bulb		2
7		Front fog light bulb		2

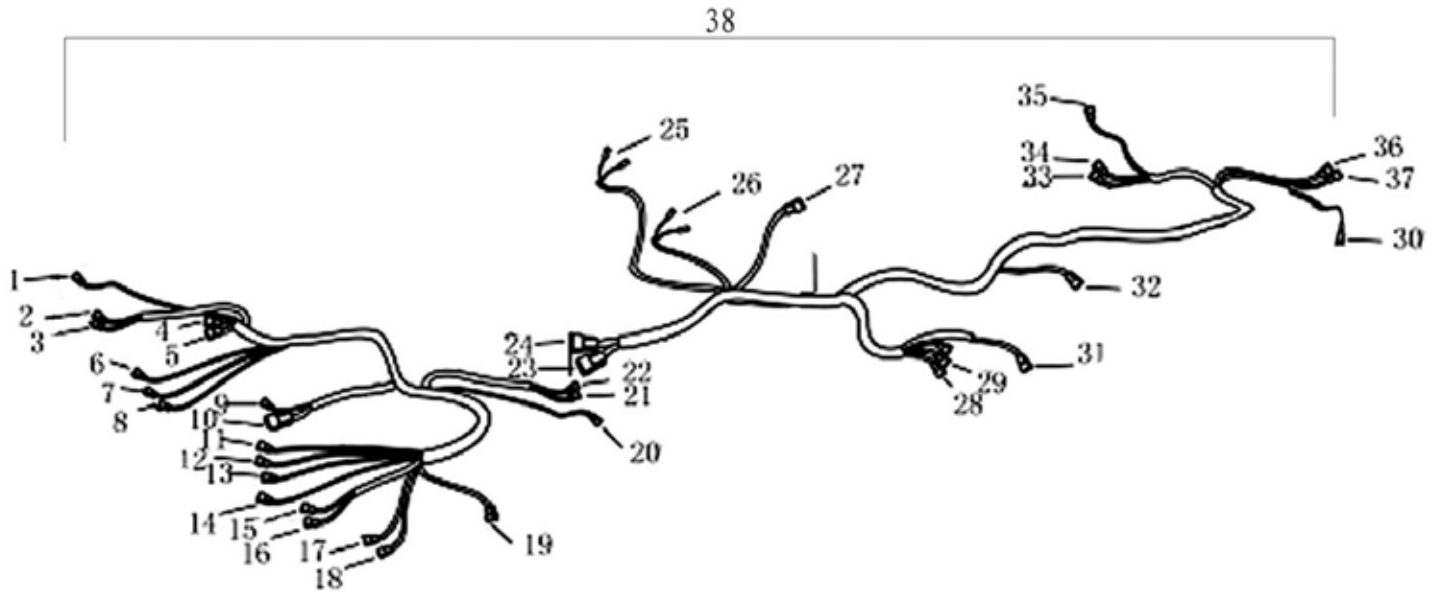
## 9-2 Taillight



<b>Item No.</b>	<b>STAR EV Part No.</b>	<b>Description</b>	<b>MPN</b>	<b>Qty</b>
1	2LT410	Taillights rear assembly – driver’s side	3106000-004	1
2	2LT412	Rear turning signal with bulb- Orange	3109300-002	2
3	2LT413	Rear brake with bulb – Red – 3 wires	3106100-004	2
4	2LT414	Reverse light with bulb – Red – 2 wires	3111100-001	1
8	2LT411	Taillights rear assembly – passenger’s side	3106001-005	1
9	2LT415	Rear fog light with bulb - Smoke	3113300-001	1
11	2LT405	License light	3107100-002	2



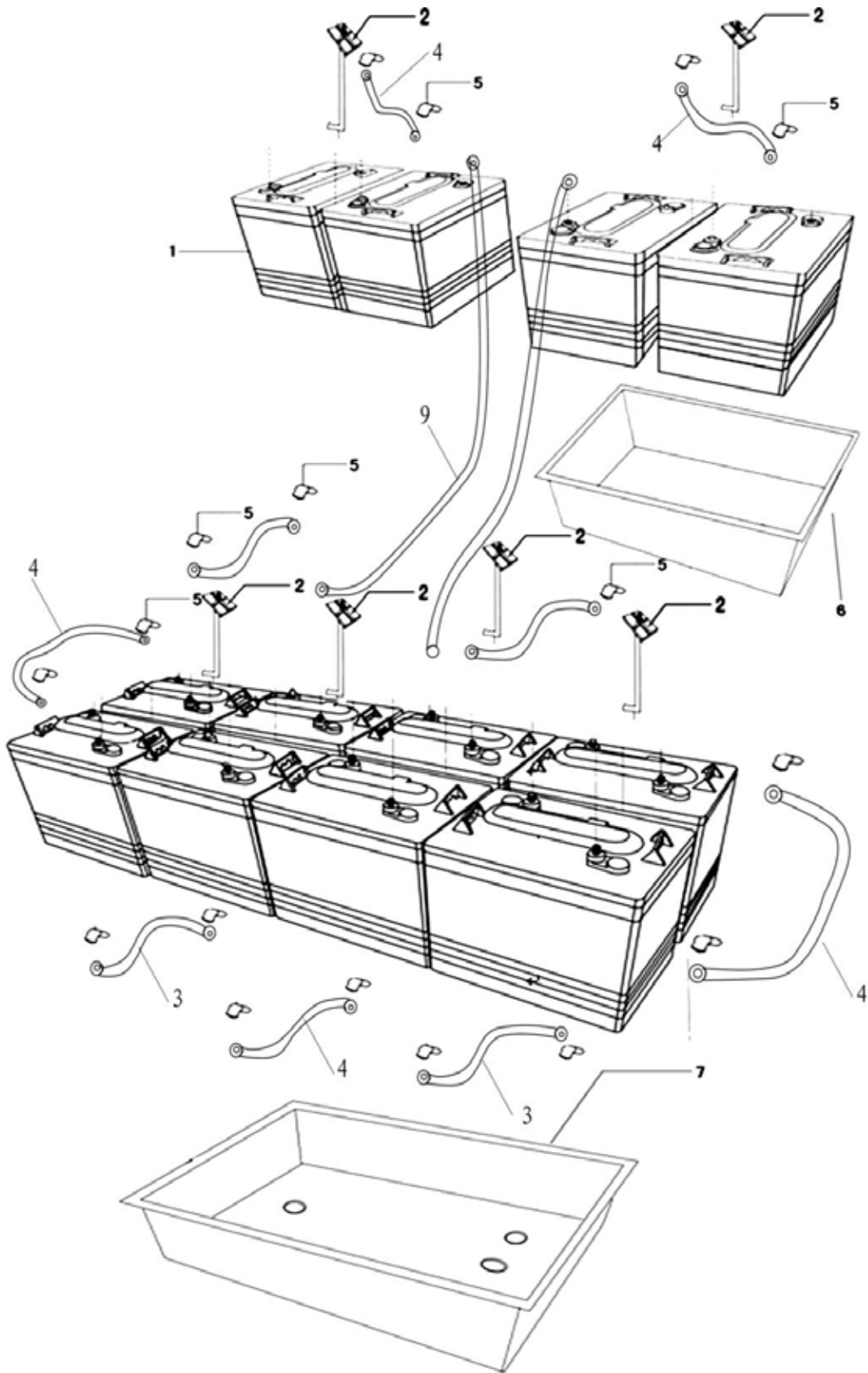
## 9-3 Harness



Item No.	STAR EV Part No.	Description	MPN	Qty
1		To front fog light, RH		1
2		To front headlight, RH		1
3		To front turn signal lamp, RH		1
4		To frame harness (1)	3308000-031	1
5		To frame harness (2)		1
6		To radio		1
7		To loud speaker, RH		1
8		To wiper		1
9		To flashing ware		1
10		To fuse box		1
11		To switch assembled (1)		1
12		To switch assembled (2)		1
13		To turn switch		1
14		To current voltage watch		1
15		To instrument indicator light		1
16		To warning light switch (1)		1
17		To warning light switch (2)		1
18		To loud speaker, LH		1
19		To ignition ware		1
20		To front head lamp, LH		1
21		To front turn signal lamp, LH		1
22		To front fog light, LH		1
23		To cab harness (1)		1
24		To cab harness (2)		1

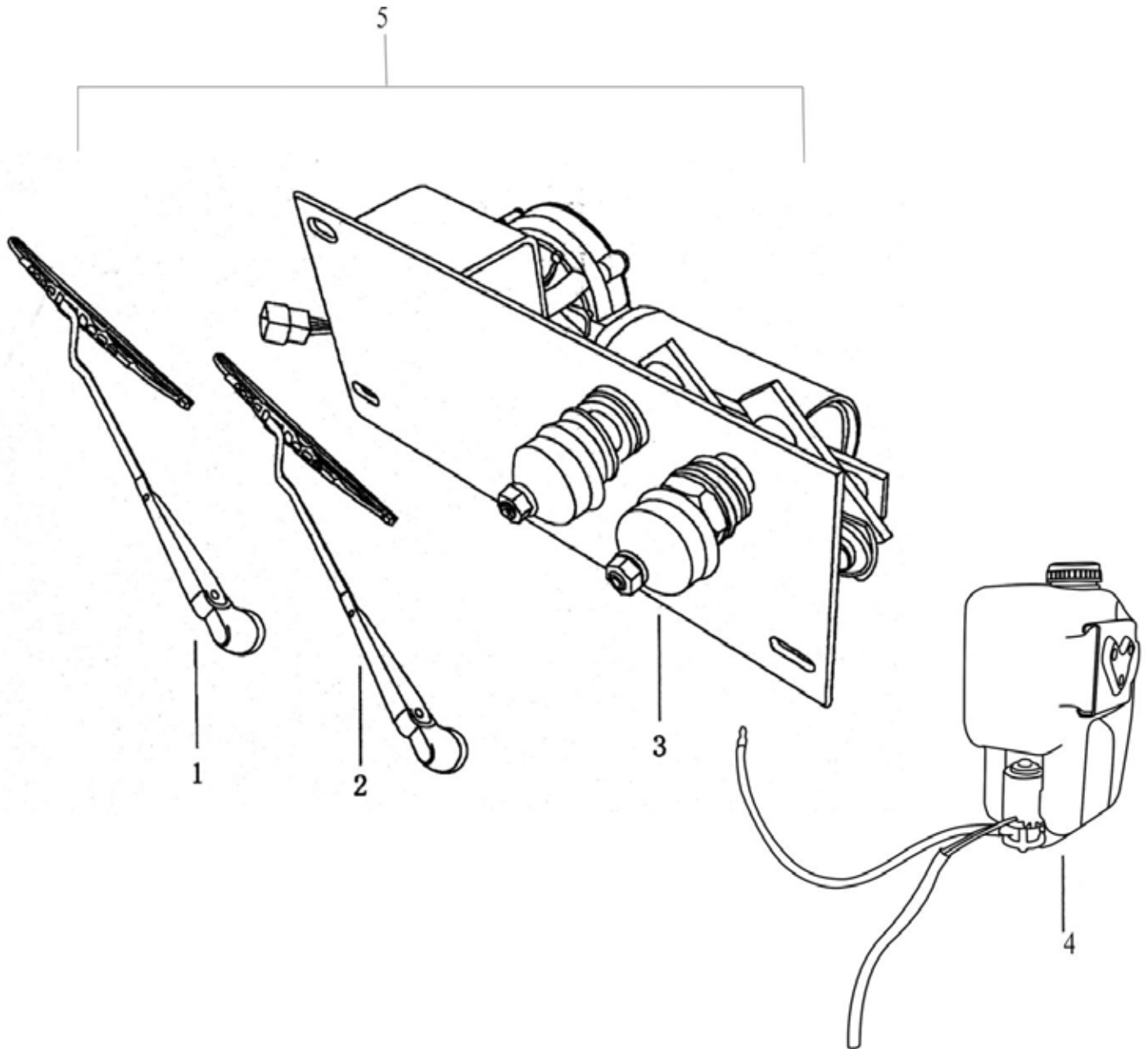
# 9-4 Battery and Battery Cable

## 12 x 6V Battery Set-up



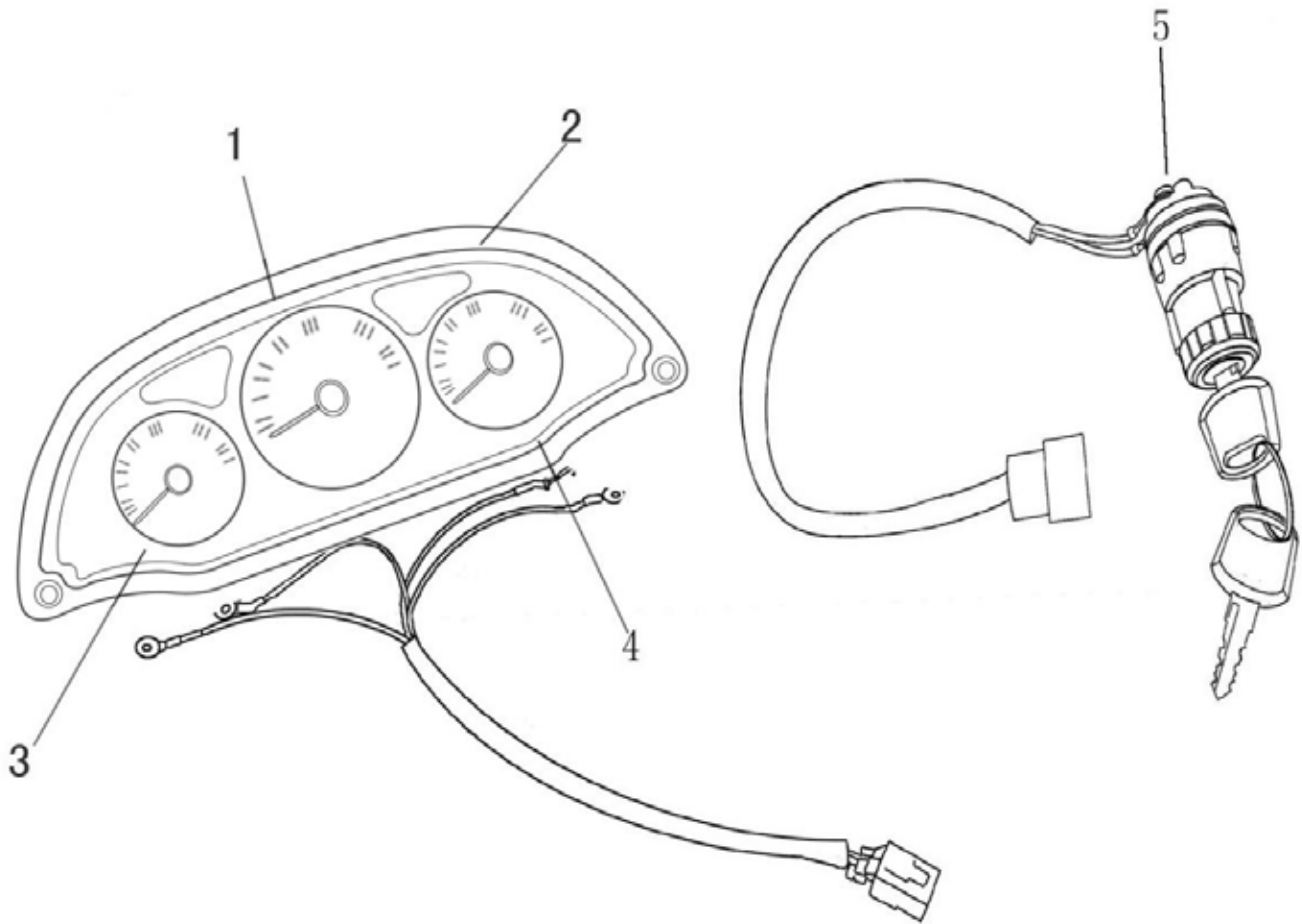
Item No.	STAR EV Part No.	Description	MPN	Qty
1		Battery	1101100-002	12
2	2BT024	Battery pressure block	AW6142K-3704057	6
3	2BT126	Battery cable 180mm/35 <sup>2</sup>	3313010-007	4
4	2BT127	Battery cable 260mm/35 <sup>2</sup>	3313010-010	5
5	2BT401	Battery cable jacket	1101014-002	24
6	2BT310	2P battery box	6158-1001910	2
7	2BT320	4P battery box	6158-1001920	2
8	2BT041	Dead lever	1101011-002	6
9	2BT129	Battery cable 2400mm/35 <sup>2</sup>	5020-3018002	2
10	2RC060	Charger receptacle	3049120-001	1
3, 4, 9	2BT125	Complete set of 11 cables (4x 2BT126, 5x 2BT127, and 2x 2BT129)		

## 9-5 Windshield Wiper Assembly



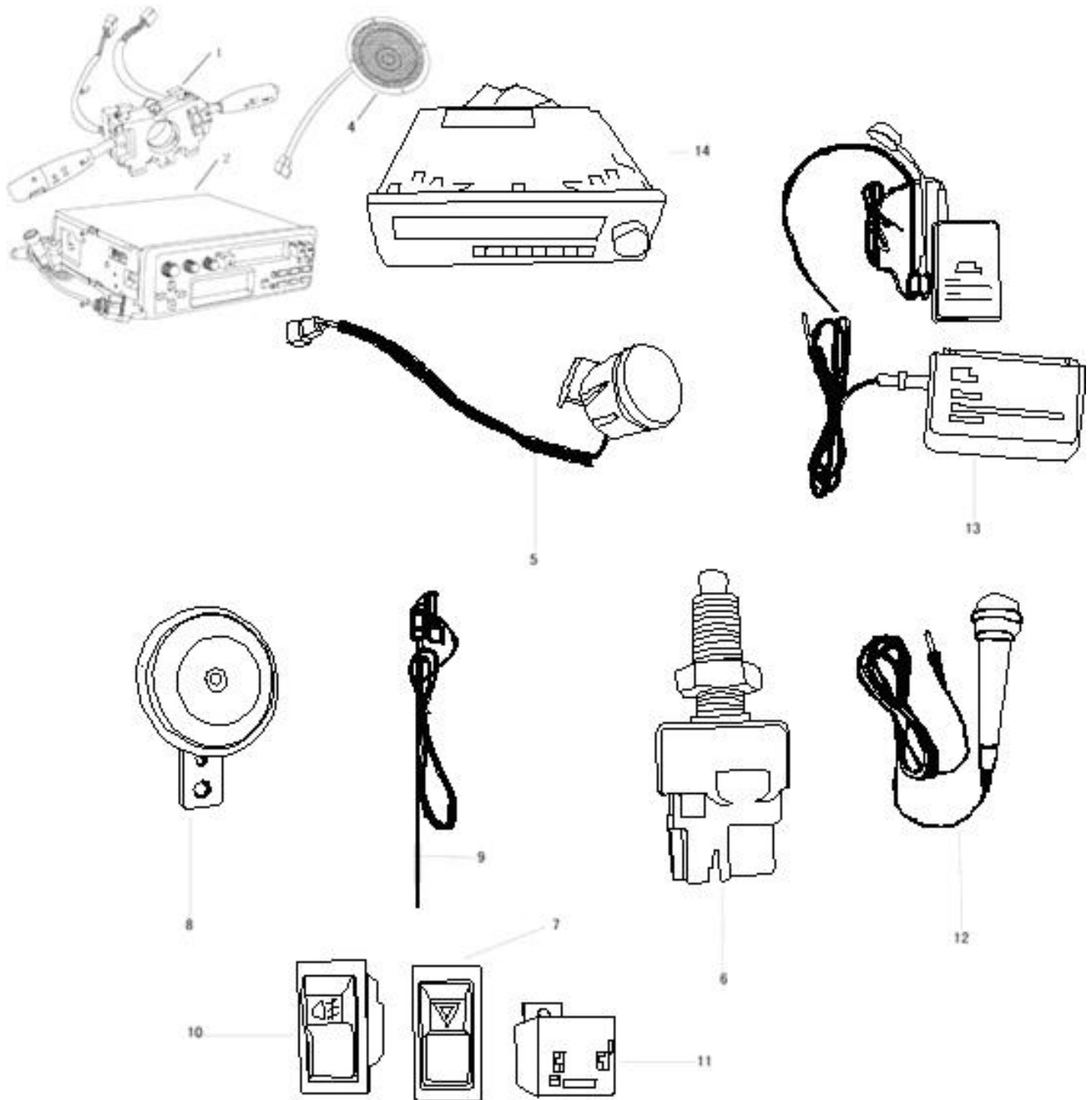
Item No.	STAR EV Part No.	Description	MPN	Qty
1		Left wiper arm& brush assembly	38340-65C10	1
2		Right wiper arm & brush assembly	38340-60C10	1
3	2WP140	Windshield wiper motor assembly	3006110-010	1
4	2WP010	Water tank	3011110-003	1
5	2WP150	Wiper assembly	3006100-010	1

## 9-6 Meter, Start Key



Item No.	STAR EV Part No.	Description	MPN	Qty
1		Speed meter	3212120-002	1
2		Meter shell	3212110-002	1
3	2MT010	Current meter	3212140-002	1
4		Voltage meter	3212130-003	1
5	2SW100	Start key	3001010-002	1

## 9-7 Radio, Combination Switch, Loudspeaker, Reverse Buzzer

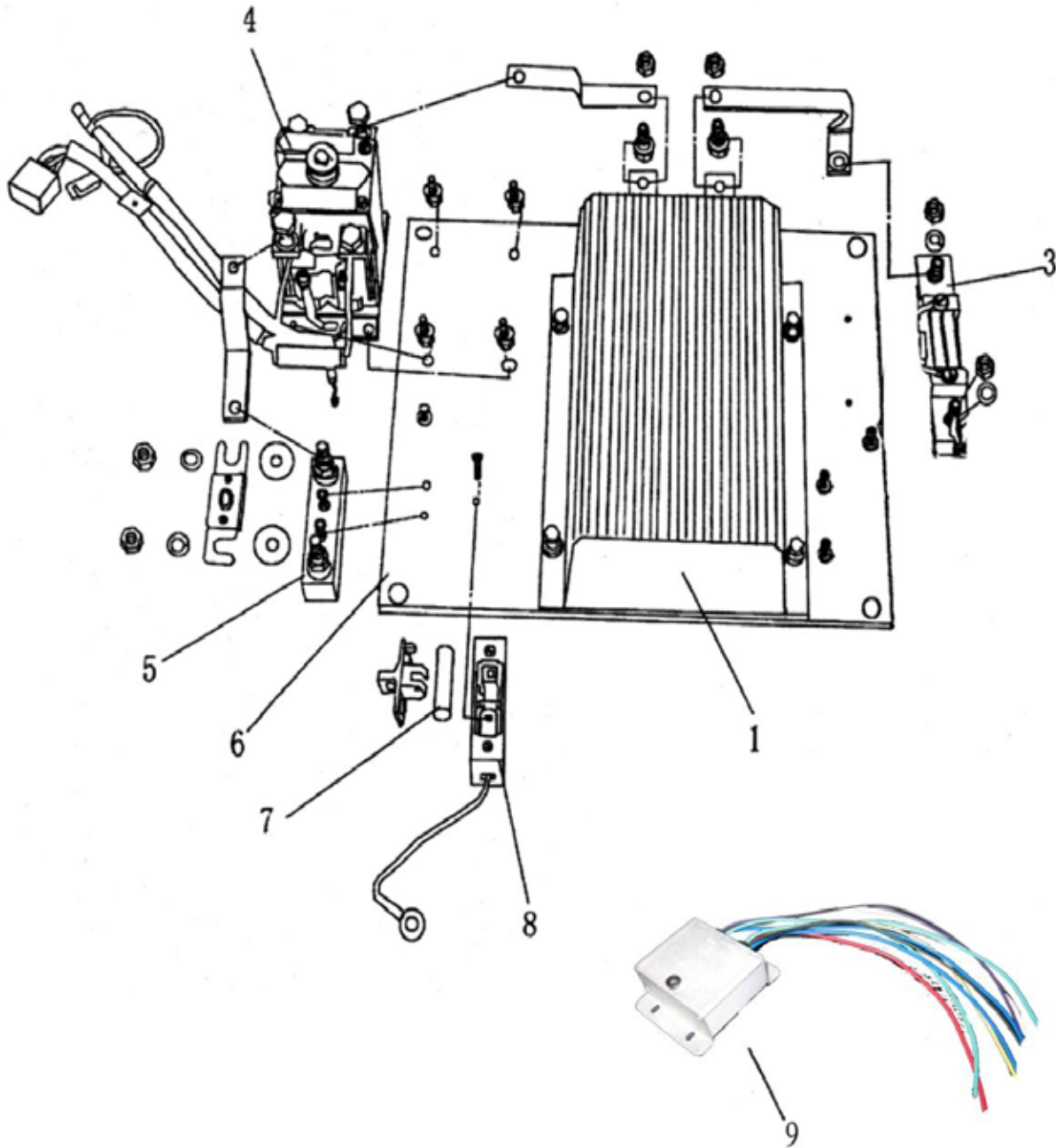


Item No.	STAR EV Part No.	Description	MPN	Qty
1	2SW010	Combination switch	3024100-004	1
2	2RD160	Radio	8501100-002	1
3		Dustproof cover for radio	8501110-002	1
4		Loud speaker	8510010-002	2
5	2SW000	Backup buzzer	3211010-001	1

6	2SW610	Stop lamp switch	3127010-001	1
7	2SW050	Alarm switch	3032010-002	1
8	2SW080	Horn	3004010-001	1
9		antenna	8503010-001	1
10	2SW015	Fog lamp switch	3032010-013	1
11	2RL040	Electronic flash	3129010-002	1
12		Wired microphone	3037100-001	1
13		Wireless microphone	3037100-002	1
14	2RD160	CD Player	8501200-002	1

# 9-8 Electronic Controller Assembly

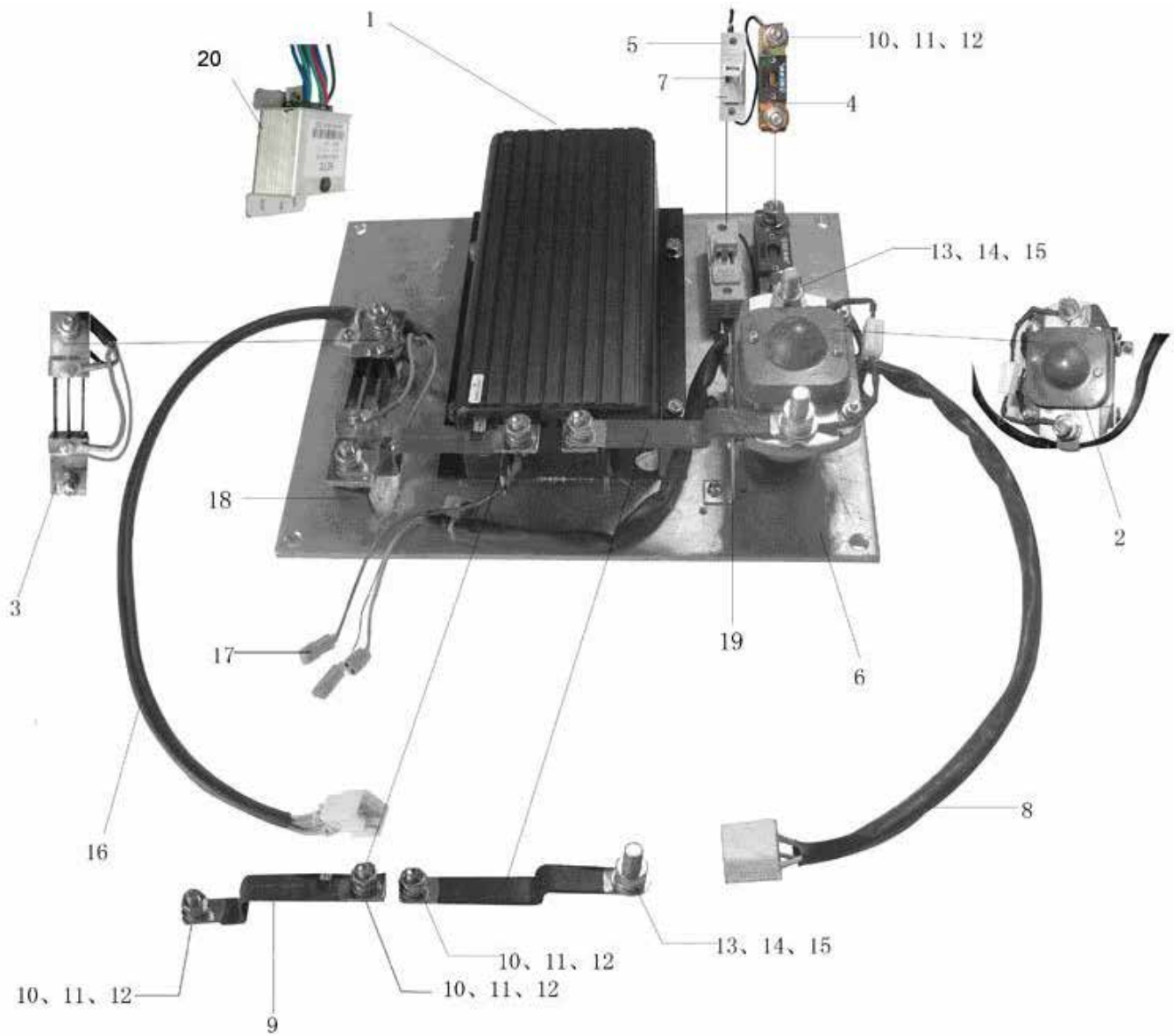
## 1209 Controller



Item No.	STAR EV Part No.	Description	MPN	Qty
1		Electronic controller	1005100-003	1
3	2RL045	Shunt	1005310-002	1
4	2SO010	Main contactor	1005200-003	1
5	2FU110	Main fuse	F26-ANL-425A	1
6		Electronic aluminum plate	1005021-003	1
7	2FU150	Controller fuse	1005410-001	1
8		Attach fuse socket	1005420-001	1
9		Battery protector	1102100-003	1



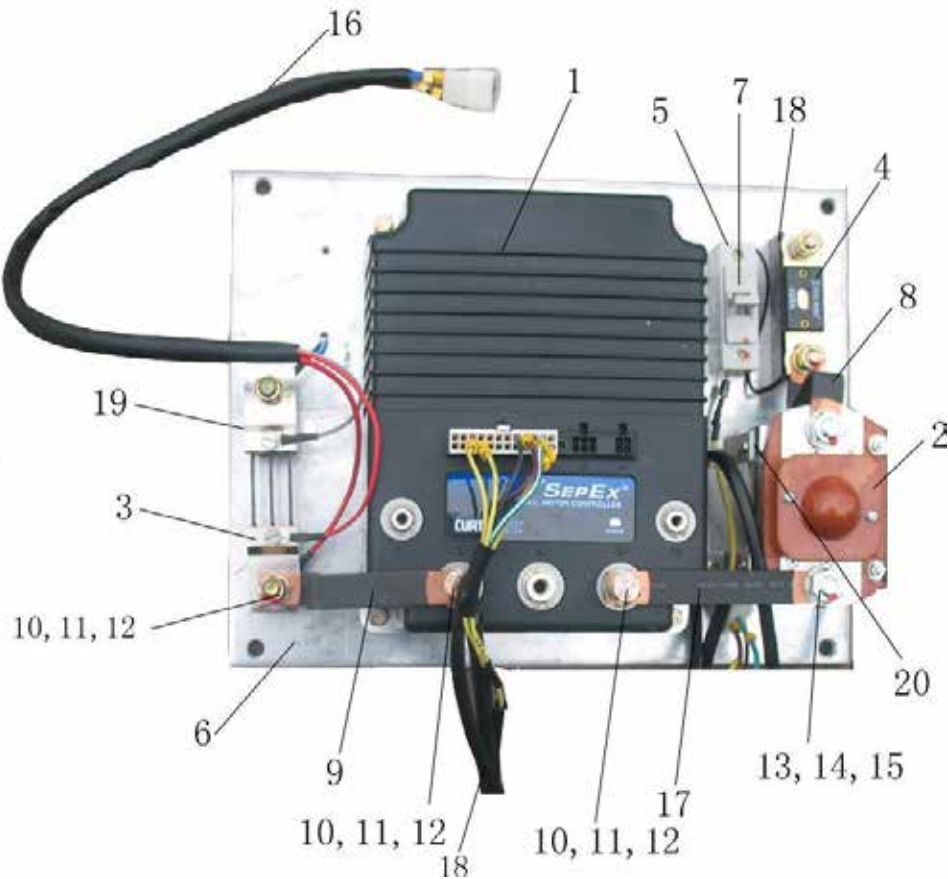
# 1205 Controller



Item No.	STAR EV Part No.	Description	MPN	Qty
1	2CN011	Electronic controller 1205	1005100-002	1
2	2SO000	Main contactor	1005200-002	1
3	2RL045	Shunt	1005310-002	1
4	2FU100	Main fuse	F26-ANL-350A	1
5		Fuse holder	1005420-001	1
6		Electronic aluminum plate	1005021-002	1
7	2FU150	Fuse 10A	1005410-001	1
8		To controller harness		2
9		Copper strip		2
10		British system nut	Q340B08	6
11		Spring washer M8	Q40308	6
12		Washer	Q40108	6
13		Hex nut M10	Q340B10	3

14		Spring washer	Q40310	3
15		Washer	Q40110	3
16		Shunt connecting wire		1
17		Controller connecting wire		1
18		Shunt bracket	1005320-001	1
19		Main contactor bracket		1
20		Battery protector 48V	TC611A-48V	1

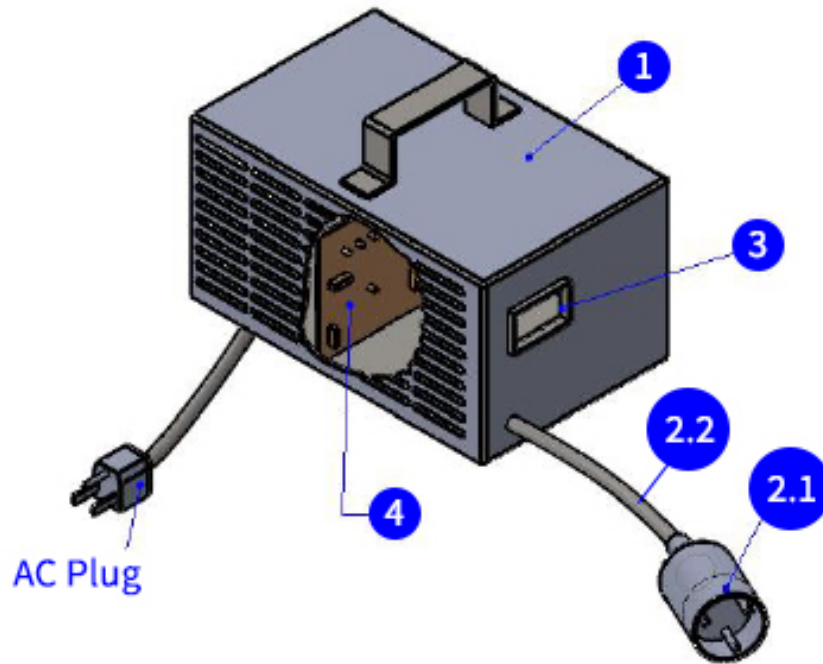
# 1244 Controller



Item No.	STAR EV Part No.	Description	MPN	Qty
1		Electronic controller 1244	1005100-006	1
2	2SO000	Main contactor	1005200-002	1
3	2RL045	Shunt	1005310-002	1
4	2FU110	Main fuse	F26-ANL-425A	1
5		Fuse holder	1005420-001	1
6		Electronic aluminum plate	1005021-006	1
7	2FU150	Fuse 10A	1005410-001	1
8		Copper strip		1
9		Copper strip		1
10		British system nut	Q340B08	6
11		Spring washer M8	Q40308	6
12		Washer	Q40108	6
13		Hex nut M10	Q340B10	3
14		Spring washer M8	Q40310	3
15		Washer	Q40110	3
16		Shunt connecting wire		1
17		Copper strip		1
18		Controller connecting wire	6082-3018310	1

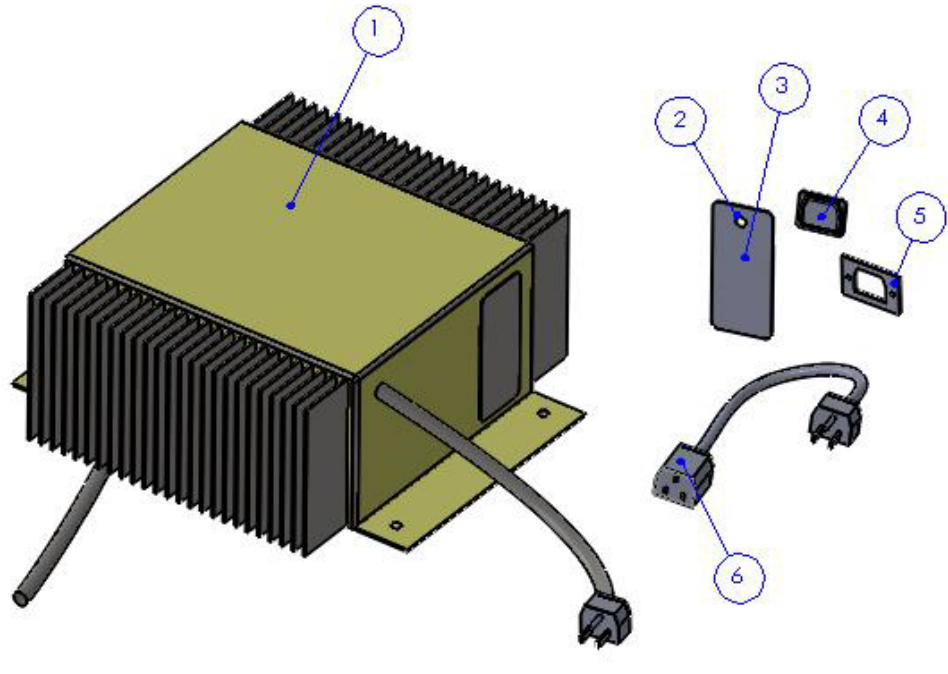
## 9-9 Charger

### DPI Charger



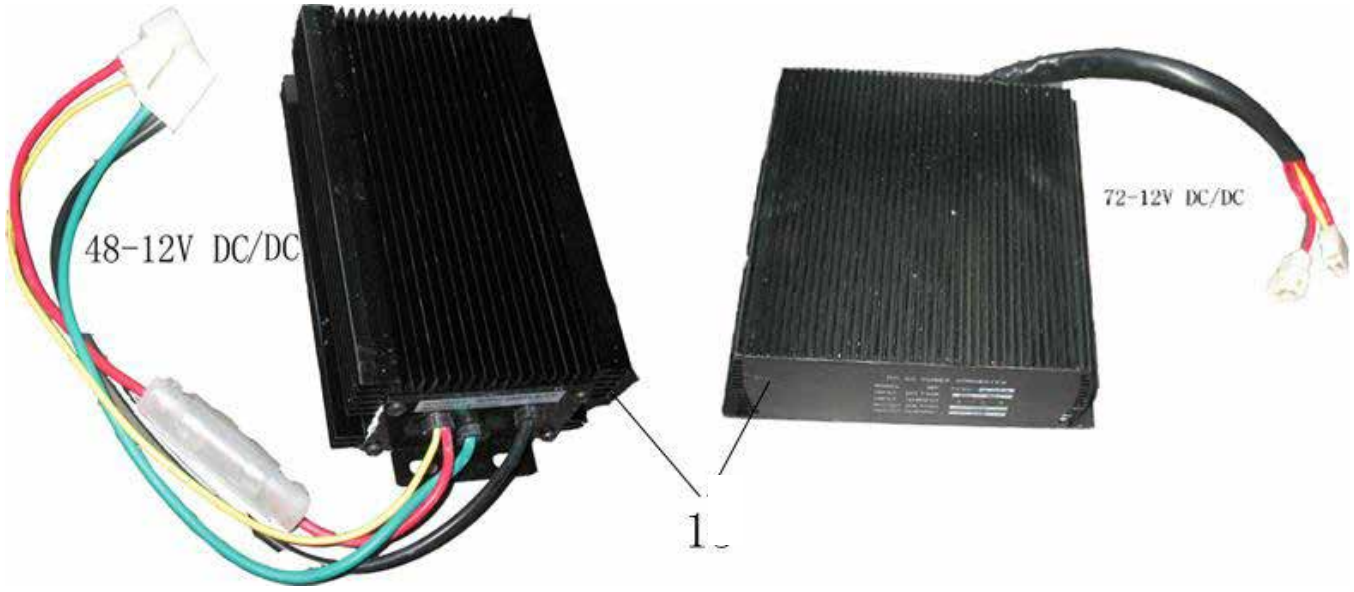
Item No.	Star EV Part No.	Description	Remark	Qty
1	2CH048	DPI 48 V charger, 120 V		1
	2CH481	DPI 48 V charger, 220 V	220 V, 50 Hz	
2.1	2PG148	DPI male plug ONLY, black, Gen. IV		1
2.1 + 2.2	2CR048	9 ft DC 48 V output cord with black plug, Gen. IV		1
	2CR480	9 ft DC 48 V output cord with black plug, Gen. III and earlier		
3	2MT240	DPI charger AMP meter		1
4	2BI480	DPI control board, 48 V, 110 V	110 V, 60 Hz	1
	2BI481	DPI control board, 48 V, 220 V	220 V, 50 Hz	
	2BI148	DPI board kit for 48 V charger, no relay, Gen. IV		
AC Plug	2CR120	120 V AC input cord for Gen. IV charger	IPCJ0038-L001830	1
	2CR230	230 V AC input cord for Gen. IV charger	IPCJ0039-L001830	

# Delta-Q On-board Charger



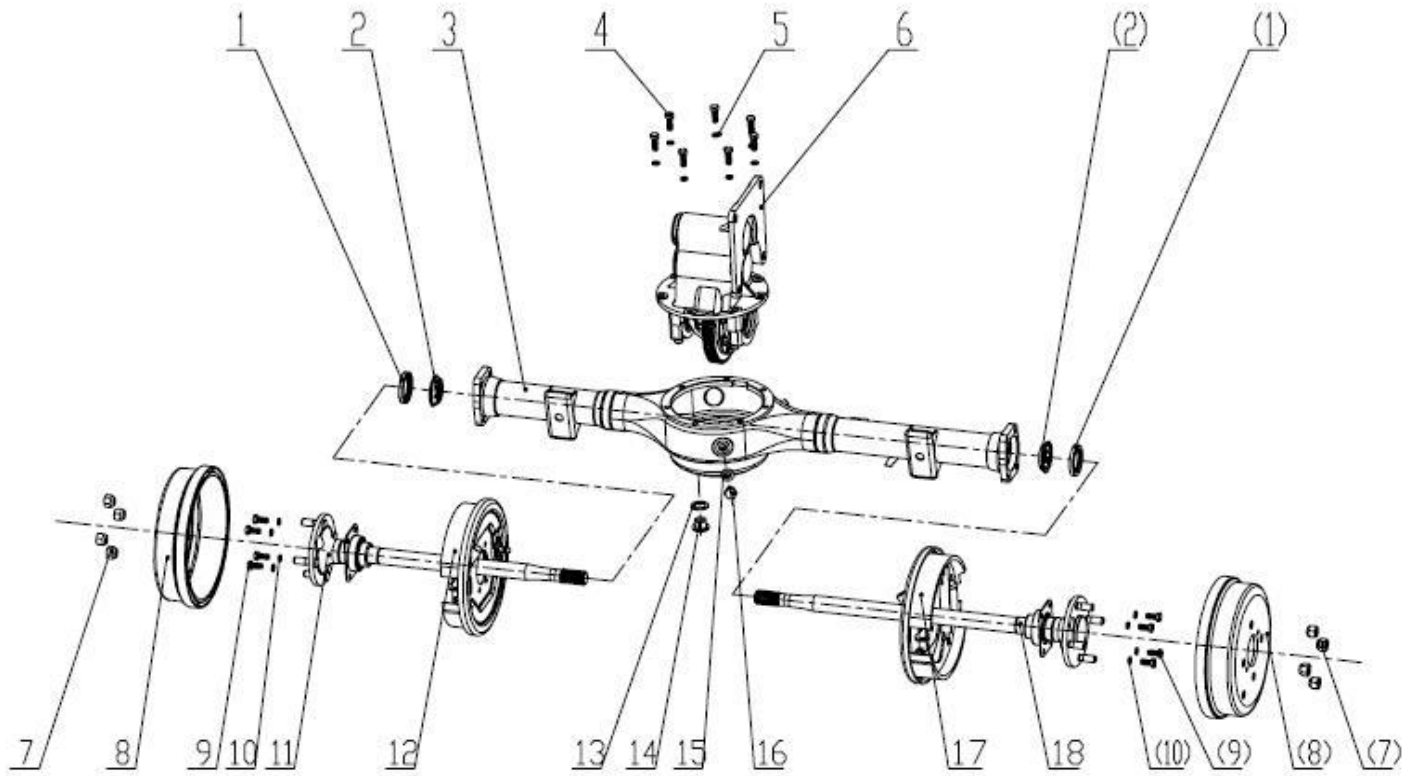
Item No.	STAR EV Part No.	Description	MPN	Qty
1		Delta-Q 48V charger	Delta Q 4818	1
1		Delta-Q 72V charger	Delta-Q 72	1
2		Remote LED light	Delta-Q LED	1
3		Charger remote indicator plate	Delta-Q plate	1
4		AC plug rubber cover	AC Rubber cover	1
5		AC plug name plate	AC plug nameplate	1
6		AC cord	AC cable	1

# 9-10 DC Converter



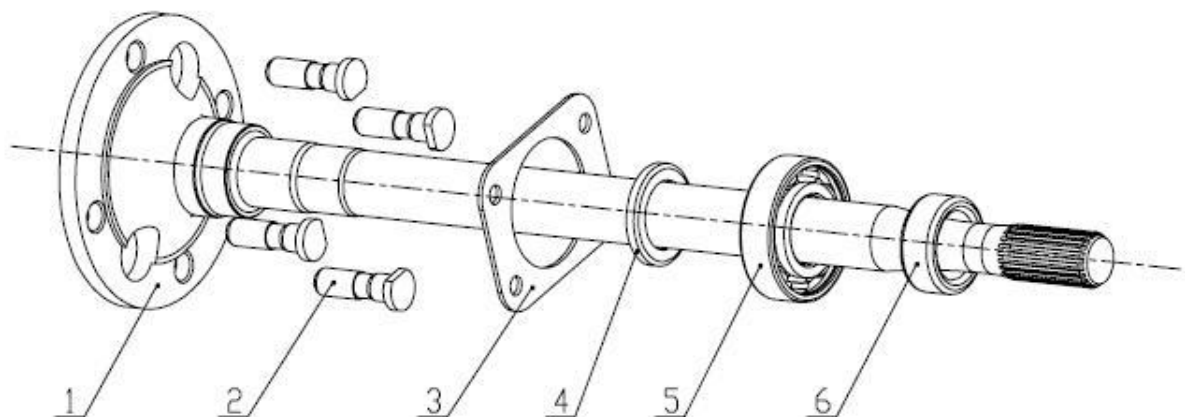
Item No.	STAR EV Part No.	Description	MPN	Qty
1		72/12V DC converter	TCDC-7212H	1
	2CV190	48/12V DC converter	3048100-005	1

# 10-1 Automatic Drive Rear End Assembly



Item No.	Star EV Part No.	Description	MPN	Qty
Fig 10-1	2RE000	Rear axle assembly	2400000-073	1
3		Rear axle housing	2401100-005	1
13	2RR450	Washer	2401111-005	1
14	2RR451	Rear axle housing oil collimator plug	2401112-005	1
15	2RR452	Grease outlet gasket	2401113-005	1
16	2RR453	Rear axle housing oil drain plug	2401114-005	1

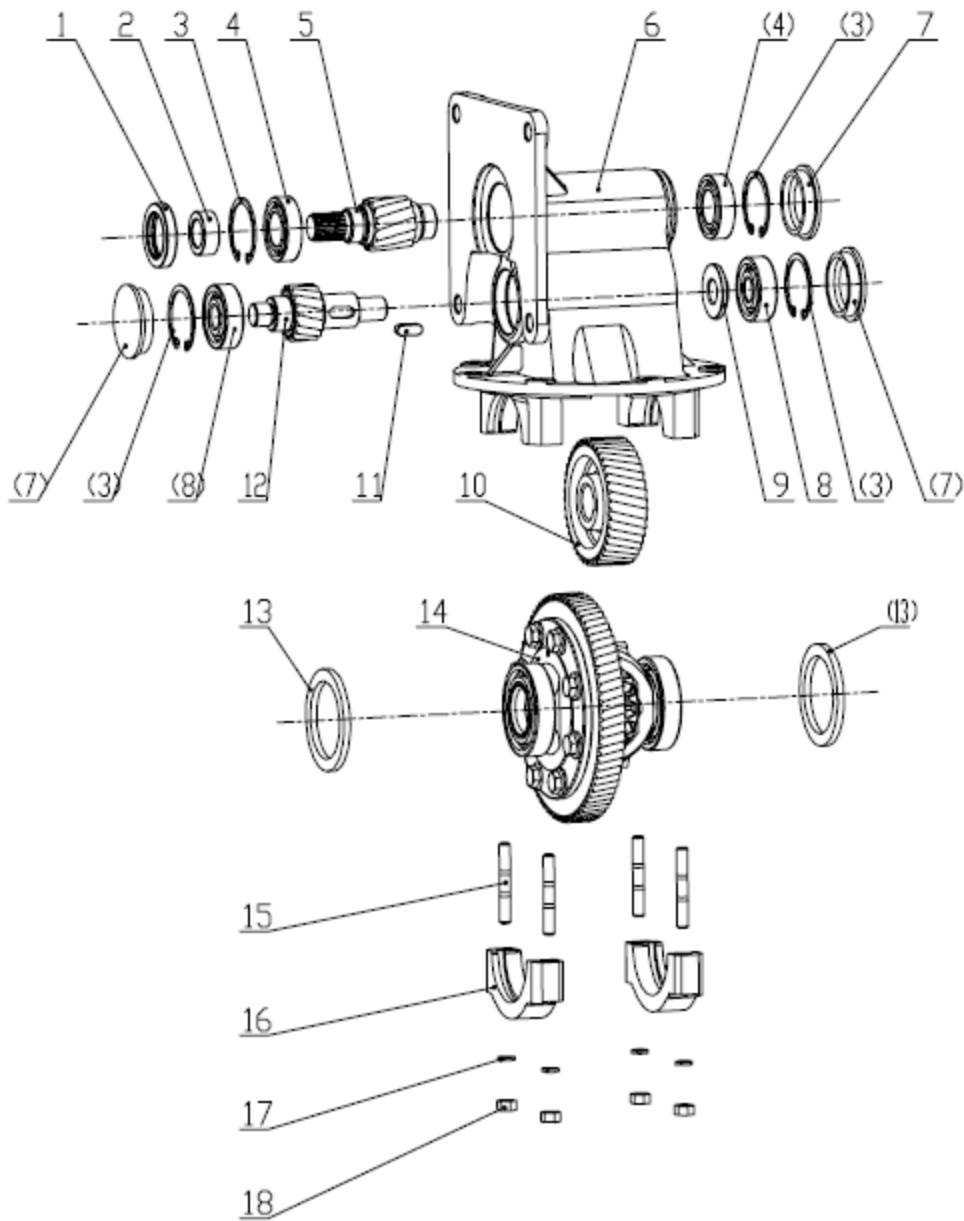
## 10-2 Automatic Drive Rear Axle Assembly



Item No.	STAR EV Part No.	Description	MPN	Qty
FIG 10-2	2AX212	Left Axle Assembly	2402100-005	1
1		Axle	2402111-005	1
2		Wheel Bolt	2402112-005	4
3		Bearing gland	2402113-005	1
4		Within the retaining ring	2402114-005	1
5		Bearing	6206-Z	1
6		Outer retaining ring	2402115-005	1
FIG 10-2	2AX213	Right Axle Assembly	2402200-005	1
7		Axle	2402111-005	1
8		Wheel Bolt	2402112-005	4
9		Bearing gland	2402113-005	1
10		Within the retaining ring	2402114-005	1
11		Bearing	6206-Z	1
12		Outer retaining ring	2402115-005	1
13		Rear axle oil seal assembly	2402116-005	1
14		Protective sleeve seals	2402117-005	1



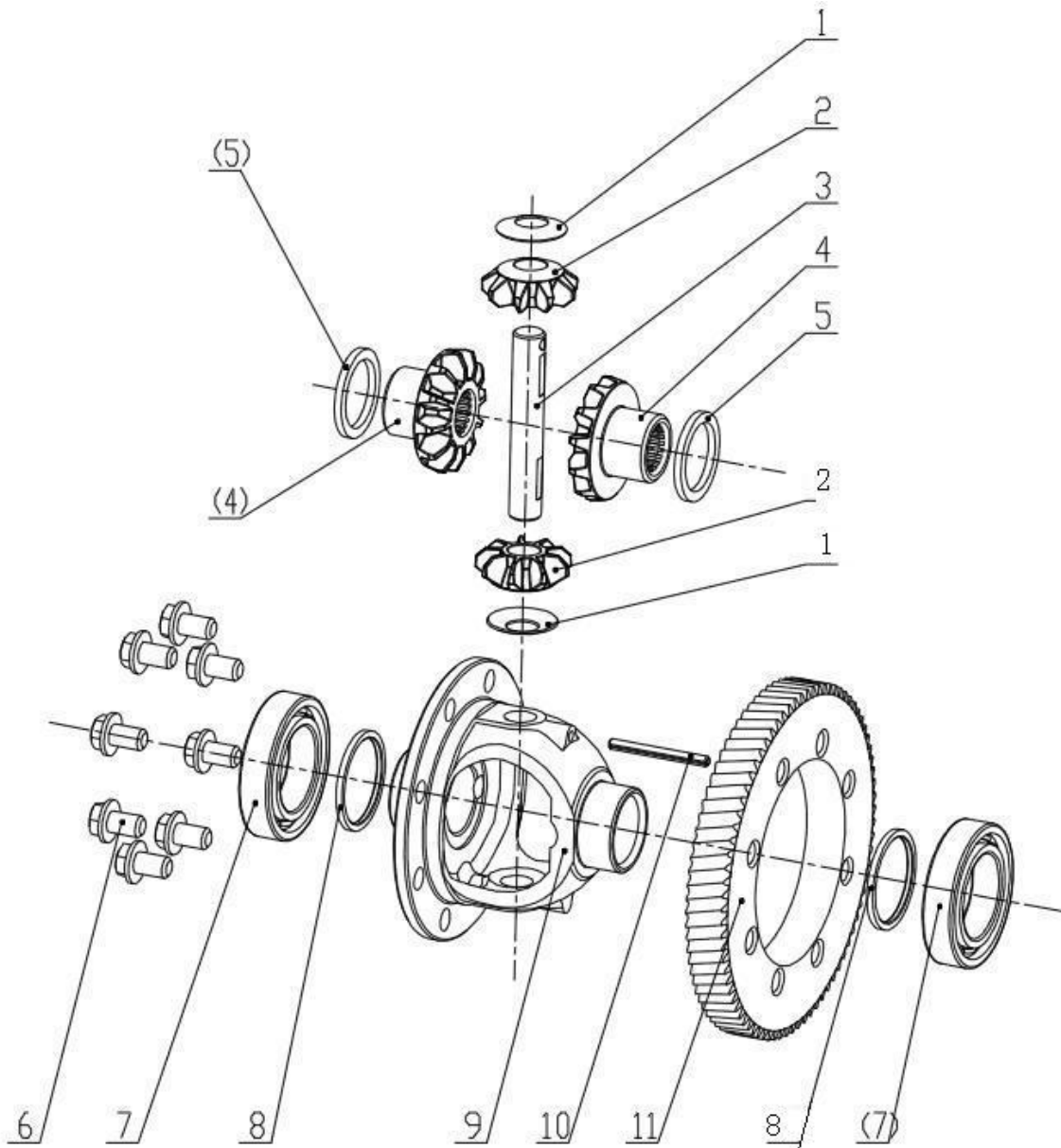
# 10-3 Automatic Drive Main Reducer Assembly



Item No.	STAR EV Part No.	Description	MPN	Qty
FIG 10-3	2RR020	Main reducer assembly	2403100-005	1
1	2OL070	Oil seal (32 x 47 x 8)	2403111-005	1
2		Bush	2403112-005	1
3		Retaining ring	Q43147	4
4		Bearing	6005	2
5		Gear shaft I	2403113-005	1
6		Reducer shell	2403114-005	1
7		Plug	2403115-005	3
8		Bearing	6303	2
9		Spacer	2403116-005	1
10		II gear	2403117-005	1
11	2RR190	Key (8*20)	Q5510820	1

12		Gear shaft II	2403118-005	1
13		Retaining ring	2403119-005	2
14		Automatic - Spider gears only / Differential assembly	2403200-005	1
15		Stud	Q1210860	4
16		Differential carrier bearing cap	2403121-005	2
17		Washer	Q40008	4
18		Screw nut	Q340B08	4

# 10-4 Automatic Drive Differential Assembly



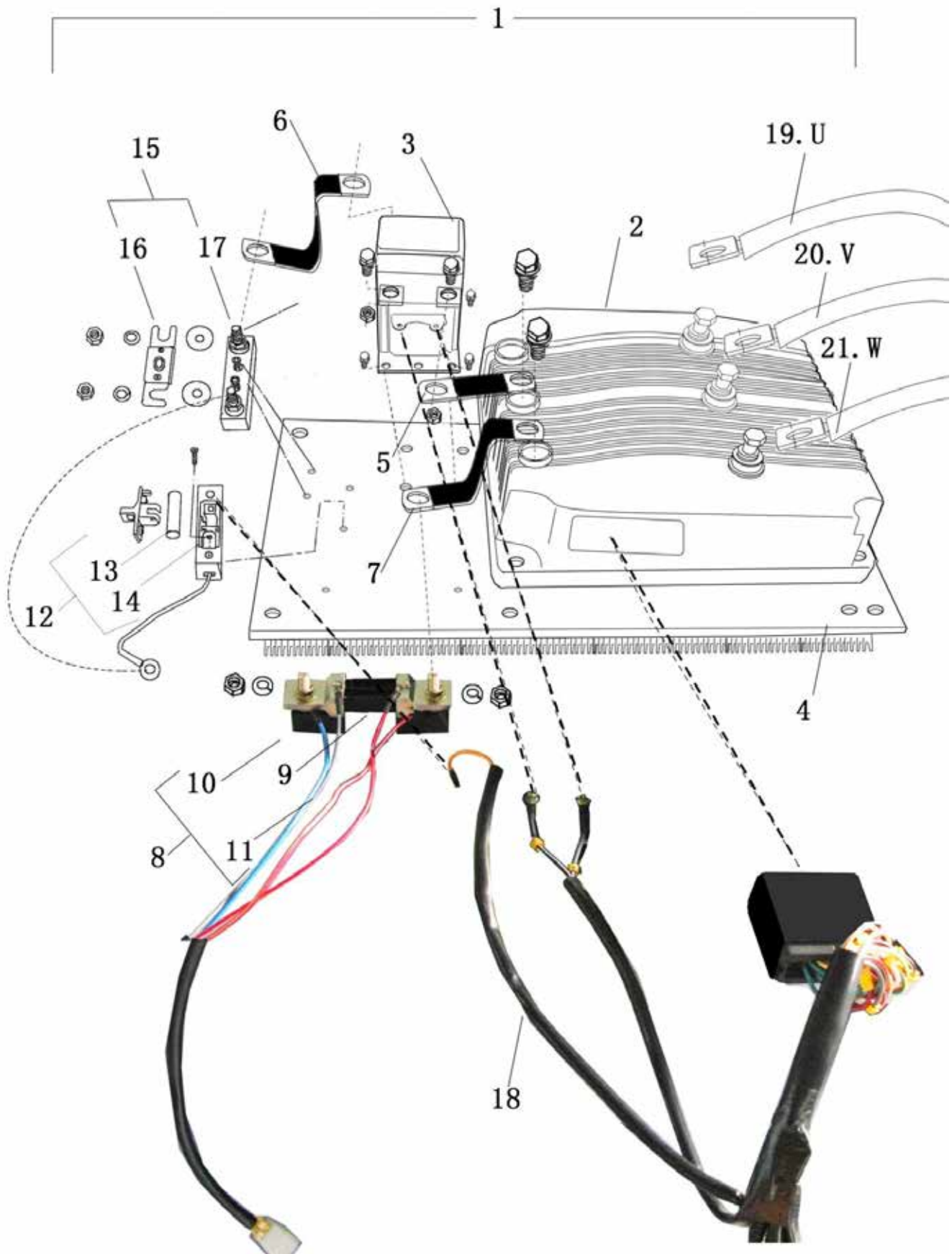
Item No.	STAR EV Part No.	Description	MPN	Qty
Fig 10-4	2RR022	Automatic - Spider gears only / Differential assembly	2403200-005	1
1		Spherical thrust washer	2403211-005	2
2		Planetary gear	2403212-005	2
3		Planet gear shaft	2403213-005	1
4		Side gears	2403214-005	2
5		Adjusting washer	2403215-005	
6		The driver bevel gears bolts	2403216-005	8
7		Bearing	6008	2
8		Washer	2403217-005	
9		Differential case	2403218-005	1
10		Pin	Q5220545	1
11		Big gear	2403219-005	1

## 11-1 72V AC System, 7KW AC Motor



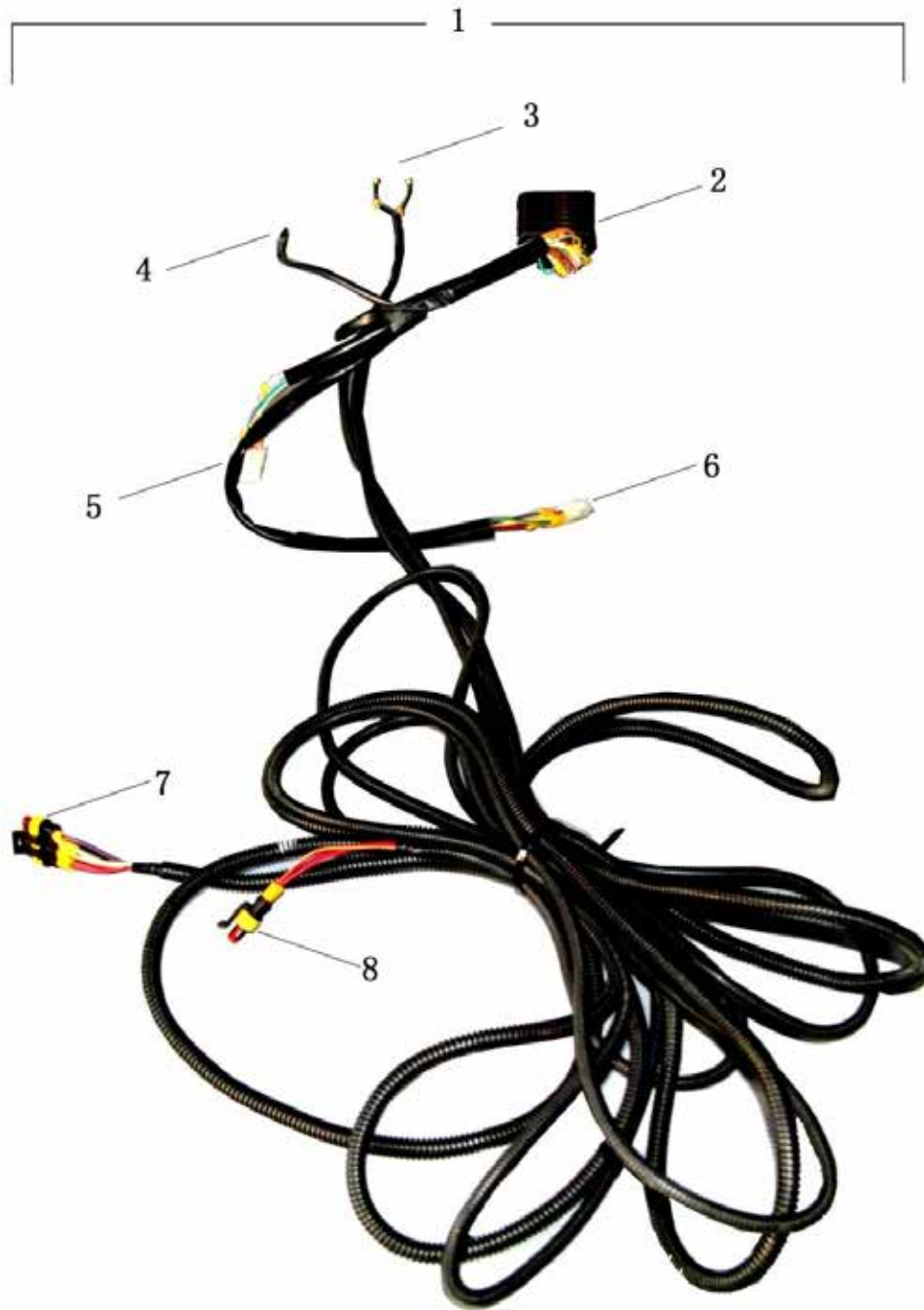
Item No.	STAR EV Part No.	Description	MPN	Qty
1	2MO060	Motor	1003000-011	1
2		U-Terminal		1
3		V-Terminal		1
4		W-Terminal		1
5		Speed encoder port		1
6		Temperature sensor port		1

# 11-2 72 V AC System, 1238 Controller



<b>Item No.</b>	<b>STAR EV Part No.</b>	<b>Description</b>	<b>MPN</b>	<b>Qty</b>
1	2CN060	Controller Assembly	1005000-017	1
2		Controller	1005100-011	1
3	2SO000	Main Contactor	1005200-002	1
4		Aluminum Panel	1005021-014	1
5		Converging Line1	1005022-009	1
6		Converging Line2	1005023-009	1
7		Converging Line3	1005024-009	1
8		Shunt Assembly	1005300-002	1
9	2RL045	Shunt	1005310-002	1
10		Shunt Base	1005320-001	1
11		Shunt Harness	1005330-001	1
12		Fuse Assembly	1005400-001	1
13	2FU150	Fuse	1005410-001	1
14		Fuse Base	1005420-001	1
15		Main Fuse Assembly	1005500-002	1
16		Main Fuse	1005510-002	1
17		Main Fuse Base	1005520-002	1
18		Controller Transfer Wire Harness	1005090-006	1
19		Motor Cable-U		1
20		Motor Cable-V		1
21		Motor Cable-W		1

## 11-3 72 V AC System, 1238 Wire Harness



Item No.	STAR EV Part No.	Description	MPN	Qty
1		Controller Transfer Wire Harness	1005090-006	1
2		Controller Port		1
3		Main Contactor Port		1
4		Cartridge Fuse Port		1
5		Main Harness to Controller Port		1
6		Program Port		1
7		Encoder Port		1
8		Temperature sensor Port		1