

 Search with **Ctrl-F** (PC) or **Command-F** (Mac) to quickly find what you're looking for.



Hydraulic Parts Manual

4-Wheel Hydraulic Drum Brake System

Contents

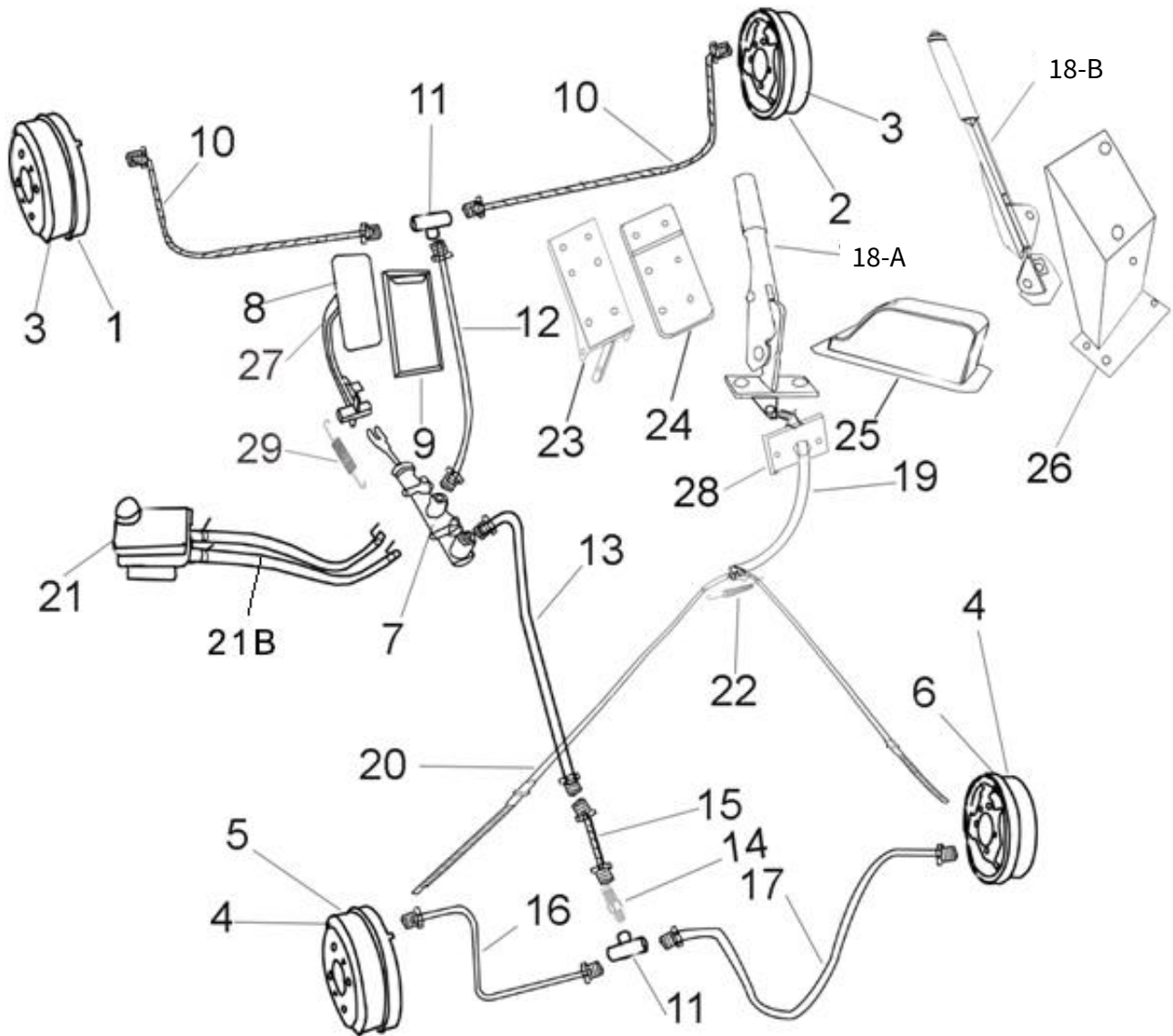
1	4-Wheel Hydraulic Brake System for Classic 36-2, 36-2+2, 48-2, 48-2+2, 48-4, and 48-4+2	3
2	4-Wheel Hydraulic Brake System for Classic 48-6	5
3	Front Hydraulic Drum Brake for Classic 36-2, 36-2+2, 48-2, 48-2+2, 48-4, and 48-4+2	7
4	Front Hydraulic Brake System for Classic 48-6, Sport 2+2 and 4+2	8
5	Rear Hydraulic Drum Brake for Classic 36-2, 36-2+2, 48-2, 48-2+2, 48-4, and 48-4+2	10
6	Rear Hydraulic Brake System for Classic 48-6	12
7	Front Axle, Steering Knuckle, Tie Rod, Drag Rod	14
8	Rear Axle	17

Note:

Star EV changed its naming convention for certain models mid-2014.

Old model name	New model name
Star 36-4SF	Classic 36-2+2
Star 48-4SF	Classic 48-2+2
Star 48-4L	Classic 48-4
Star 48-6SF	Classic 48-4+2
Star 48-6L	Classic 48-6
Star 48-8SF	Classic 48-6+2

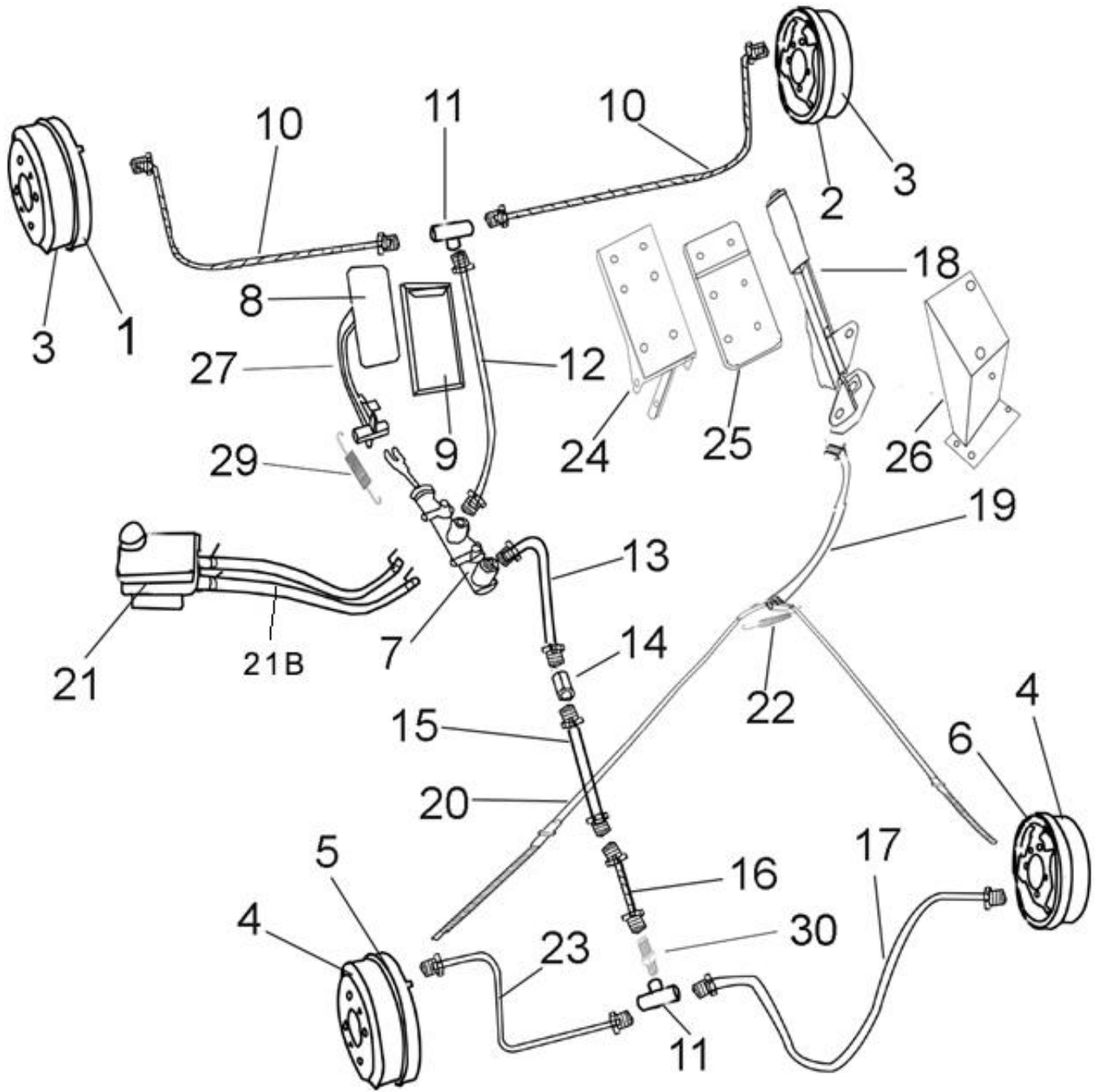
1 4-Wheel Hydraulic Brake System for Classic 36-2, 36-2+2, 48-2, 48-2+2, 48-4, and 48-4+2



Item No.	STAR EV Part No.	Description	MPN	Qty
1	2BP012	Front Backing plate assembly (driver or passenger)	2801100-008	2
2	2BP012	Front Backing plate assembly (driver or passenger)	2801200-008	2
3	2DR060	Front brake drum with bearings	2801310-008	2
4	2DM150	Rear brake drum	2802310-008	2
5	2BP014	Rear Backing plate assembly, LH	2802100-008	1
6	2BP015	Rear Backing plate assembly, RH	2802200-008	1
7	2MC000	Master cylinder	2804100-022	1
8	2PD291	Brake pedal	2803100-037	1
9	2PD281	Brake pedal pad	2803111-037	1
10	2TB010	Brake tube	2805030-006	2
11	2TB270	Tri-connector	2805014-002	2

12	2TB013	Oil pipe 650 mm	2044-2805050	1
13	2TB012	Oil pipe 780 mm	2044-2805060	1
	2TB011	Oil pipe 1530 mm	2805020-010	1
14	2TB040	Transition connector	2805016-001	1
15	2TB001	Rear brake tube	2805030-005	1
16	2TB002	Oil pipe 300 mm	2805020-014	1
17	2TB003	Oil pipe 930 mm	2805020-015	1
18-A	2PB120	Handle - Lever for floor	2807100-002-2P	1
18-B	2PB110	Parking handle lever	2807100-002	1
19	2CB020	No. 1 parking cable	2807200-005	1
20	2CB021	No. 2 parking cable	2807300-010	1
21	2TB030	Brake fluid reservoir	2805040-002	1
21-B	2TB029	Brake fluid tube	2805012-002	2
22	2PB121	Return Spring for parking brake	09443-15008	1
23	2PD240	Accelerator pedal	1007021-004	1
24	2PD250	Accelerator pedal pad	1007022-004	1
25	2PB100	Handbrake cover	6020A4D-2807001	1
26	2PB102	Handbrake bracket	2807130-073	1
27	2PD292	Brake pedal bracket	2803140-037	1
28		Limitation block		1
29	2PD293	Return Spring for brake pedal	6041-2803006	1

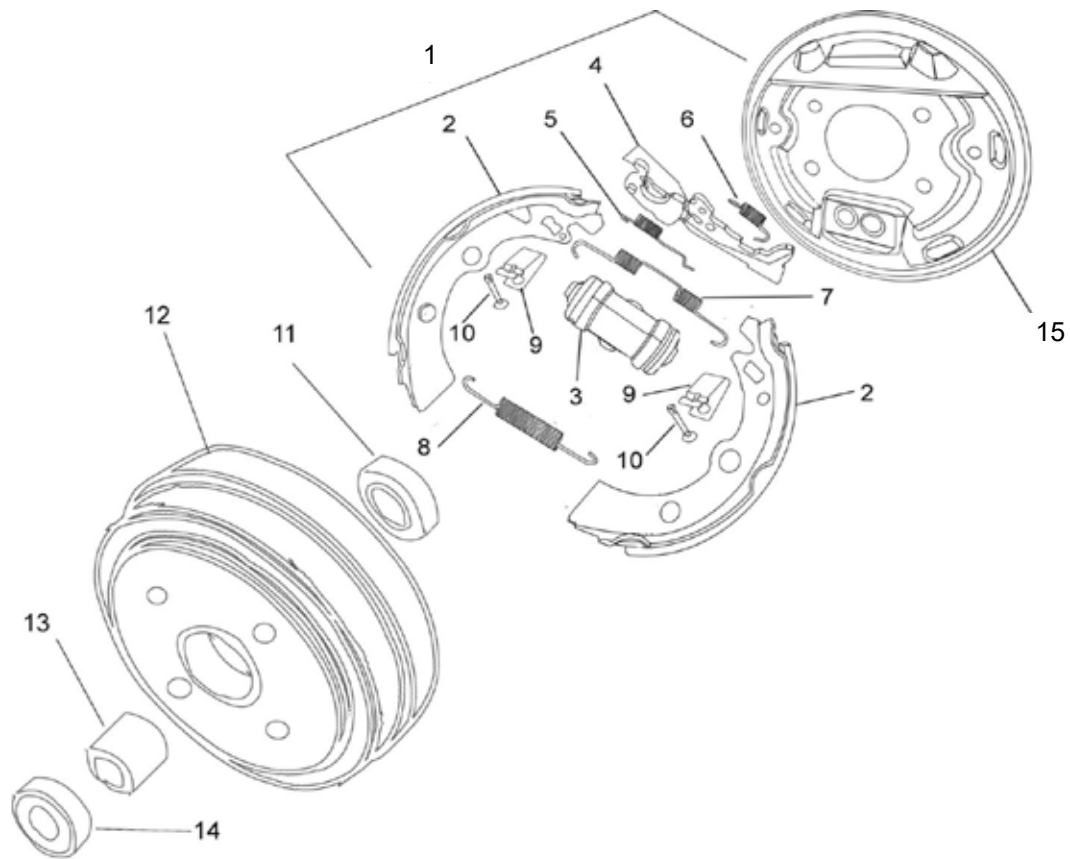
2 4-Wheel Hydraulic Brake System for Classic 48-6



Item No.	STAR EV Part No.	Description	MPN	Qty
1 and 2	2BP016	Front brake assembly, LH or RH, square bolt (2016 and earlier)	2801100-007	2
	2BP017	Front brake assembly, LH or RH, rectangle bolt (2016 and later)	2801200-007	2
3	2DR030	Front brake drum	2801310-007	2
4	2DM120	Rear brake drum	2802310-006	2
5	2BP018	Rear backing plate assembly, LH	2802100-006	1
6	2BP019	Rear backing plate assembly, RH	2802200-006	1
7	2MC000	Master cylinder	2804100-022	1

8	2PD291	Brake pedal	2803100-037	1
9	2PD281	Brake pedal pad	2803111-037	1
10	2TB010	Brake tube	2805030-006	2
11	2TB270	Tri-connector	2805014-002	2
12	2TB013	Oil pipe 650mm	2044-2805050	1
13	2TB011	Oil pipe 1530mm	2805020-010	1
14	2TB040	Straight connector	2805016-001	2
15	2TB012	Oil pipe 780mm	2044-2805060	
16	2TB001	Rear brake tube	2805030-005	1
17	2TB003	Oil pipe 930mm	2805020-015	1
18	2PB110	Parking handle lever	2807100-002	1
19	2CB030	No.1 parking cable	2807200-007	1
20	2CB032	No.2 parking cable	2807300-012	1
21	2TB030	Brake fluid reservoir	2805040-002	1
21-B	2TB029	Brake fluid tube	2805012-002	2
22		Return Spring	09443-15008	1
23	2TB002	Oil pipe 300mm	2805020-014	1
24		Accelerator pedal	2044YY-1108010	1
25	2PD250	Accelerator pedal pad	1007022-004	1
26		Handbrake bracket	2044-5101500	1
27		Brake pedal bracket	2044YY-2803023	1
29		Return Spring for brake pedal	6041-2803006	1
30		Transition connector	2024-2805130	1

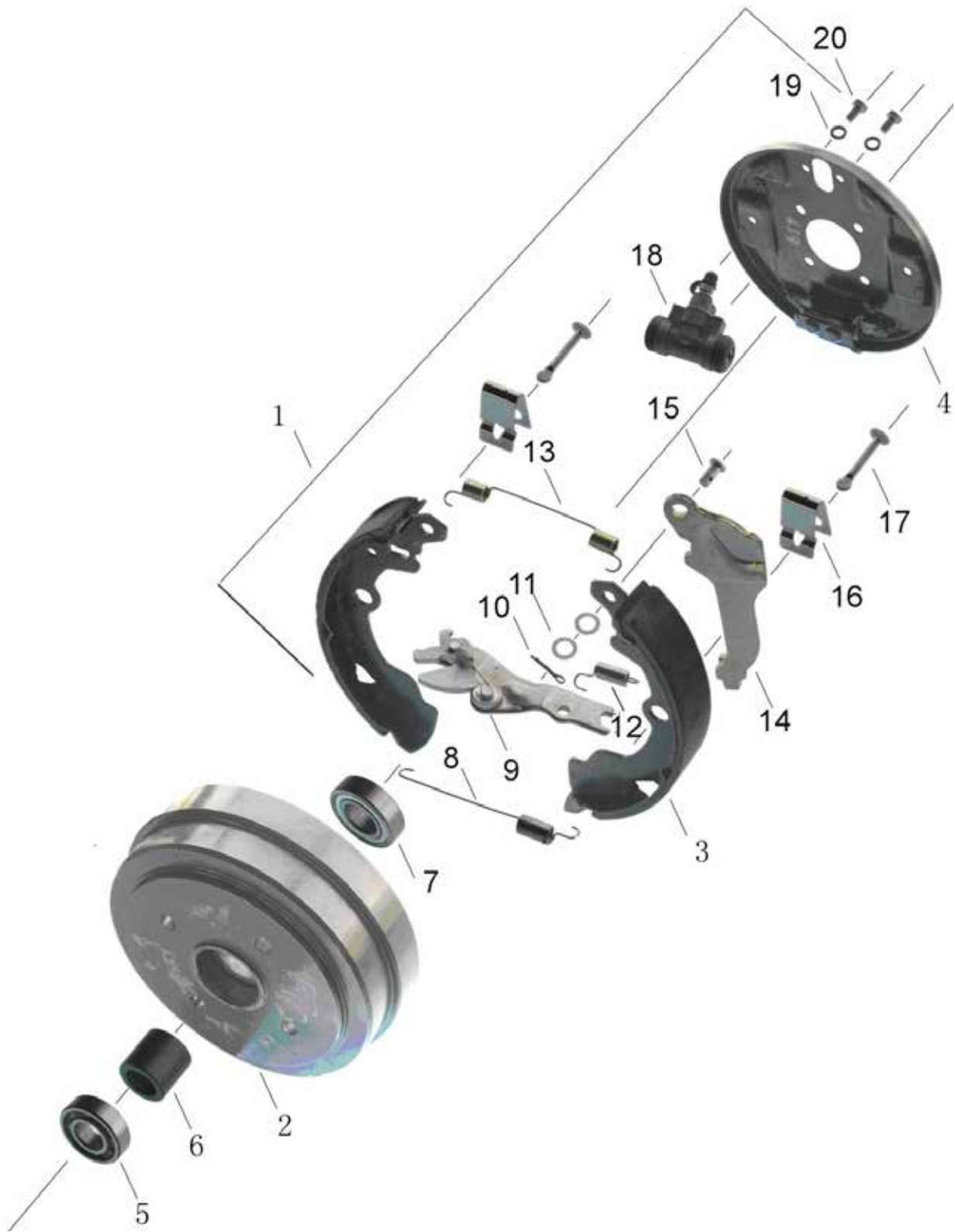
3 Front Hydraulic Drum Brake for Classic 36-2, 36-2+2, 48-2, 48-2+2, 48-4, and 48-4+2



Item No.	STAR EV Part No.	Description	MPN	Qty
1	2BP012	Front backing plate assembly, driver or passenger (includes 2-10, 15)	2801100-008	2
2	2SH091	Brake shoe	2801110-008	4
3	2CY100	Wheel cylinder	2801130-008	2
4	N/A*	Brake shoe gap self adjustment pusher		2
5	N/A*	Spring for self adjustment pusher		2
6	N/A*	Spring between shoe gap shell adjustment pusher and brake shoe		2
7	N/A*	Drag spring between brake shoe		2
8	N/A*	Return spring between brake shoe		2
9	N/A*	Clip for brake shoe		4
10	N/A*	Hold-down pin		4
11	2BE002	Inner bearing	6205	2
12	2DR060	Front brake drum assembly (includes 11, 13, 14)	2801310-008	2
13	N/A*	Bushing		2
14	2BE003	Outer bearing	6204	2
15	N/A*	Backing plate		1

*Not available individually; must use assembly.

4 Front Hydraulic Brake System for Classic 48-6, Sport 2+2 and 4+2

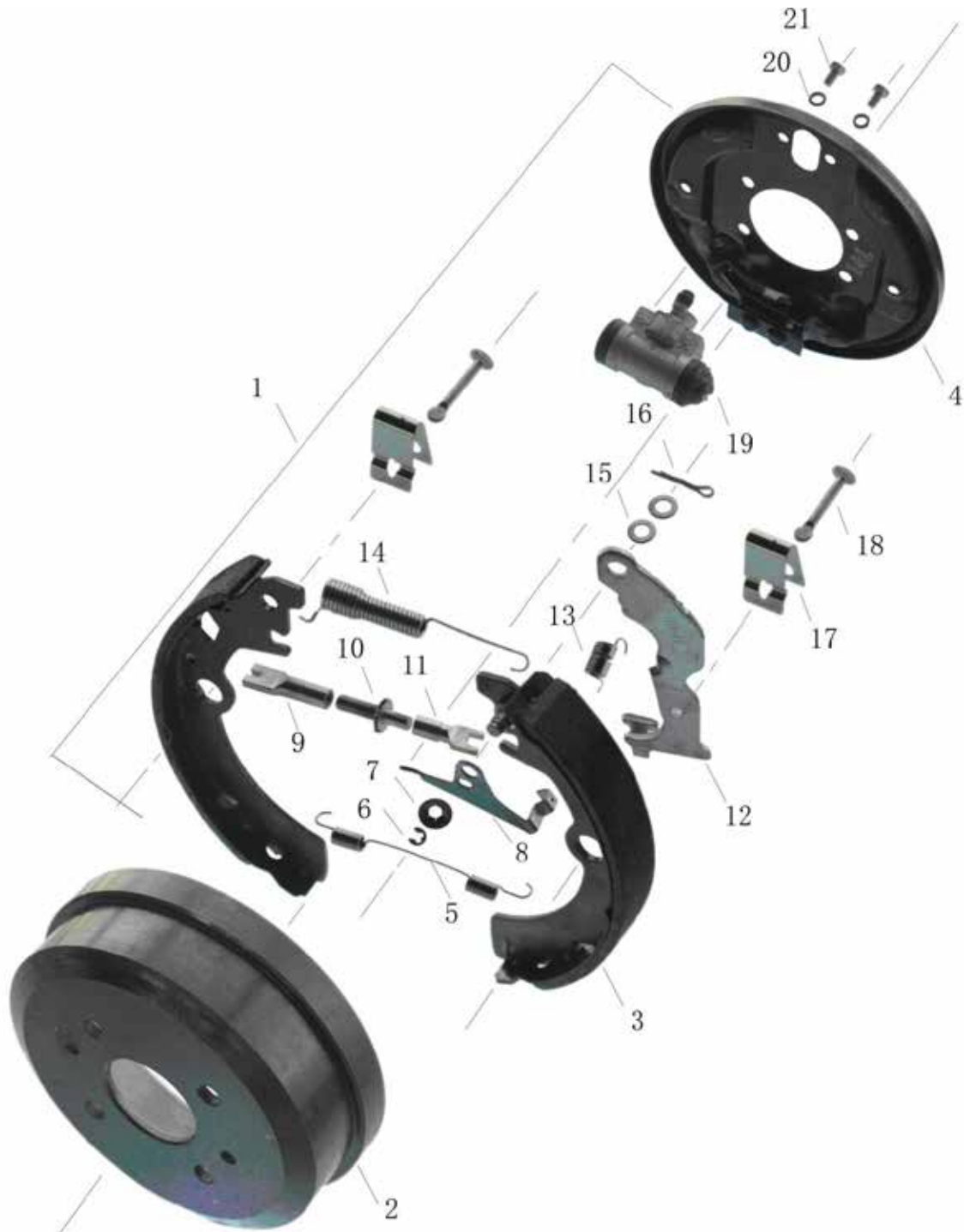


Item No.	STAR EV Part No.	Description	MPN	Qty
1	2BP016	2016 and earlier front brake assembly, LH or RH, square bolt (includes 3-4, 8-20)	2801100-007	2
	2BP017	2016 and later front brake assembly, LH or RH, rectangle bolt (includes 3-4, 8-20)	2801200-007	

2	2DR030	2016 and earlier front brake drum, fits 2BP016 (includes 5-7)	2801310-007	2
	2DR031	2016 and later front brake drum, fits 2BP017 (includes 5-7)	2801310-009	
3	2SH000	Brake shoe	2801110-007	4
4		Baking plate		2
5	2BE003	Outer bearing	6204	2
6	N/A*	Bush		2
7	2BE002	Inner bearing	6205	2
8	N/A*	Spring		2
9	N/A*	Shoe gap self adjustment pusher		2
10	N/A*	Split pin		2
11	N/A*	Gasket		4
12	N/A*	Return spring		2
13	N/A*	Return spring		2
14	N/A*	Parking brake hold bracket		2
15	N/A*	Parking brake shoe pin		2
16	N/A*	Brake shoe stationary spring		4
17	N/A*	Hold-down pin		4
18	2CY300	Front wheel cylinder	2802130-007	2
19	N/A*	Gasket spring M6	Q40306	4
20	N/A*	Bolt Hex-head castle M6×10	Q150B0610	4

**Not available individually; must use assembly.*

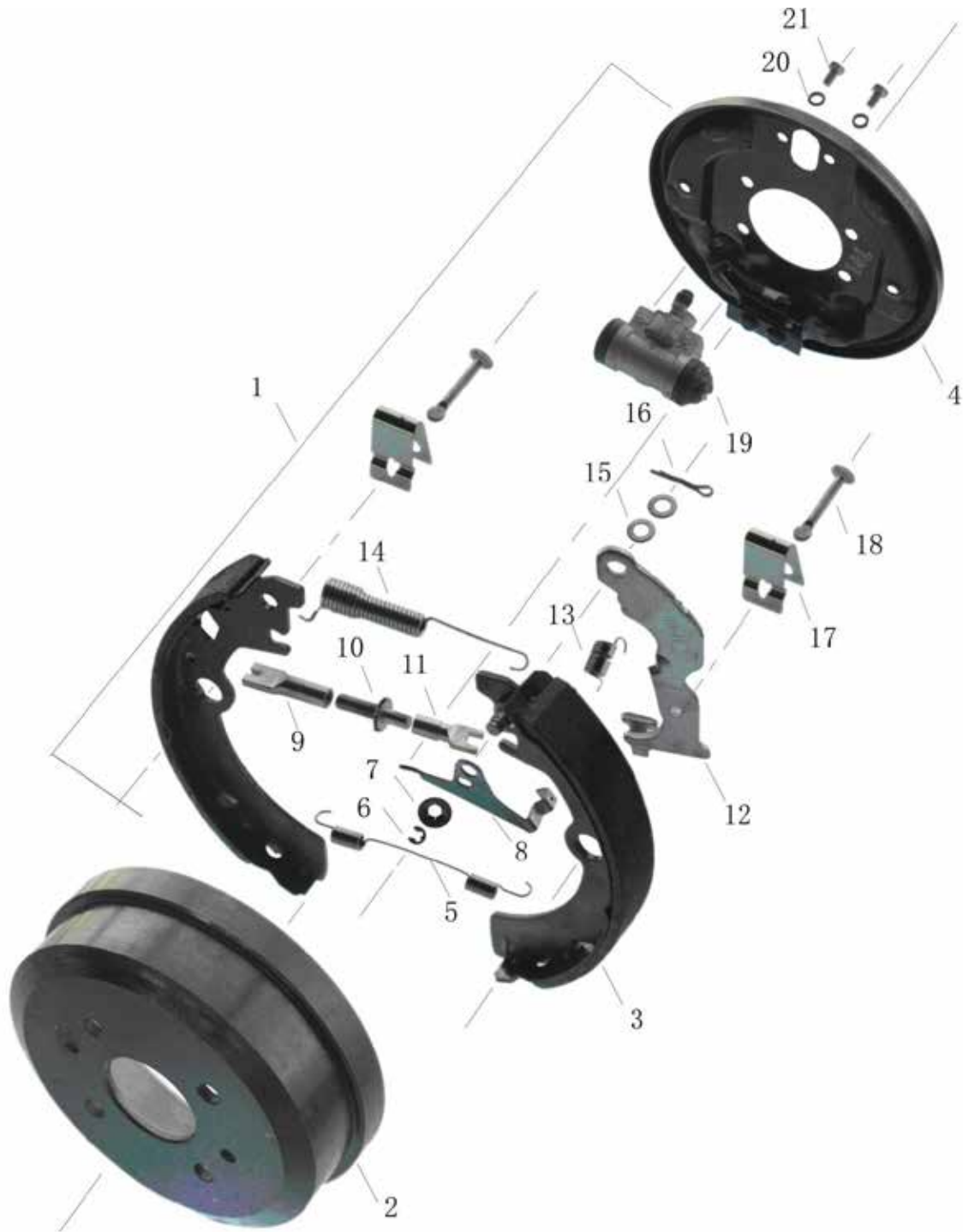
5 Rear Hydraulic Drum Brake for Classic 36-2, 36-2+2, 48-2, 48-2+2, 48-4, and 48-4+2



Item No.	STAR EV Part No.	Description	MPN	Qty
1	2BP014	Rear backing plate assembly, Driver side		1
	2BP015	Rear backing plate assembly, Passenger side		1
2	2DM150	Rear drum	2802310-008	2
3	2SH091	Brake shoe	2801110-008	4
4	N/A*	Backing plate		2
5	N/A*	Spring		2

6	N/A*	Split shield ring		2
7	N/A*	Thrust washer		2
8	N/A*	Clearance plate		2
9	N/A*	Shoe gap self adjustment rod		1
10	N/A*	Ratchet wheel		2
11	N/A*	Shoe gap self adjustment rod		2
12	N/A*	Parking brake hold bracket		2
13	N/A*	Return spring		2
14	N/A*	Brake shoe return spring		2
15	N/A*	Gasket	Q401	4
16	N/A*	Split pin		2
17	N/A*	Brake shoe stationary spring		4
18	N/A*	Hold-down pin		4
19	2CY100	Rear wheel cylinder	2801130-00	2
20		Gasket spring M6	Q40306	4
21		Bolt Hex-head castle M6×10	Q150B0610	4

6 Rear Hydraulic Brake System for Classic 48-6 , Sport 2+2 and 4+2

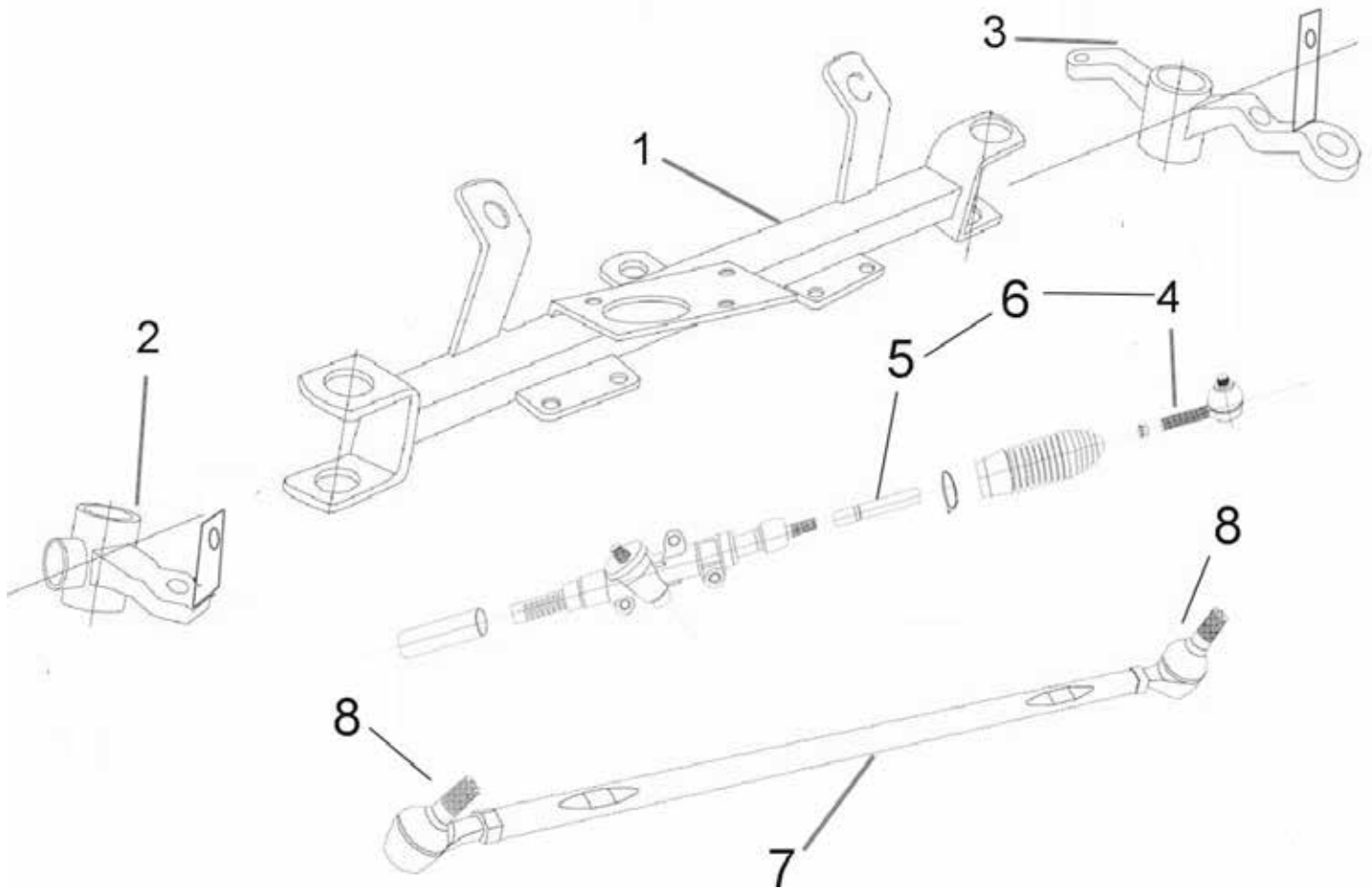


Item No.	STAR EV Part No.	Description	MPN	Qty
1	2BP018	Rear brake assembly LH (includes 3-21)	2802100-006	1
	2BP019	Rear brake assembly RH (includes 3-21)	2802200-006	1
2	2DM120	Rear brake drum	2802310-006	2
3	2SH010	Brake shoe	2802110-006	4
4	N/A*	Backing plate		2
5	N/A*	Spring		2
6	N/A*	Split shield ring		2

7	N/A*	Thrust washer		2
8	N/A*	Clearance plate		2
9	N/A*	Shoe gap self adjustment rod		1
10	N/A*	Ratchet wheel		2
11	N/A*	Shoe gap self adjustment rod		2
12	N/A*	Parking brake hold bracket		2
13	N/A*	Return spring		2
14	N/A*	Brake shoe return spring		2
15	N/A*	Gasket	Q401	4
16	N/A*	Split pin		2
17	N/A*	Brake shoe stationary spring		4
18	N/A*	Hold-down pin		4
19	2CY301	Rear wheel cylinder	2802130-009	2
20		Gasket spring M6	Q40306	4
21		Bolt Hex-head castle M6×10	Q150B0610	4

**Not available individually; must use assembly.*

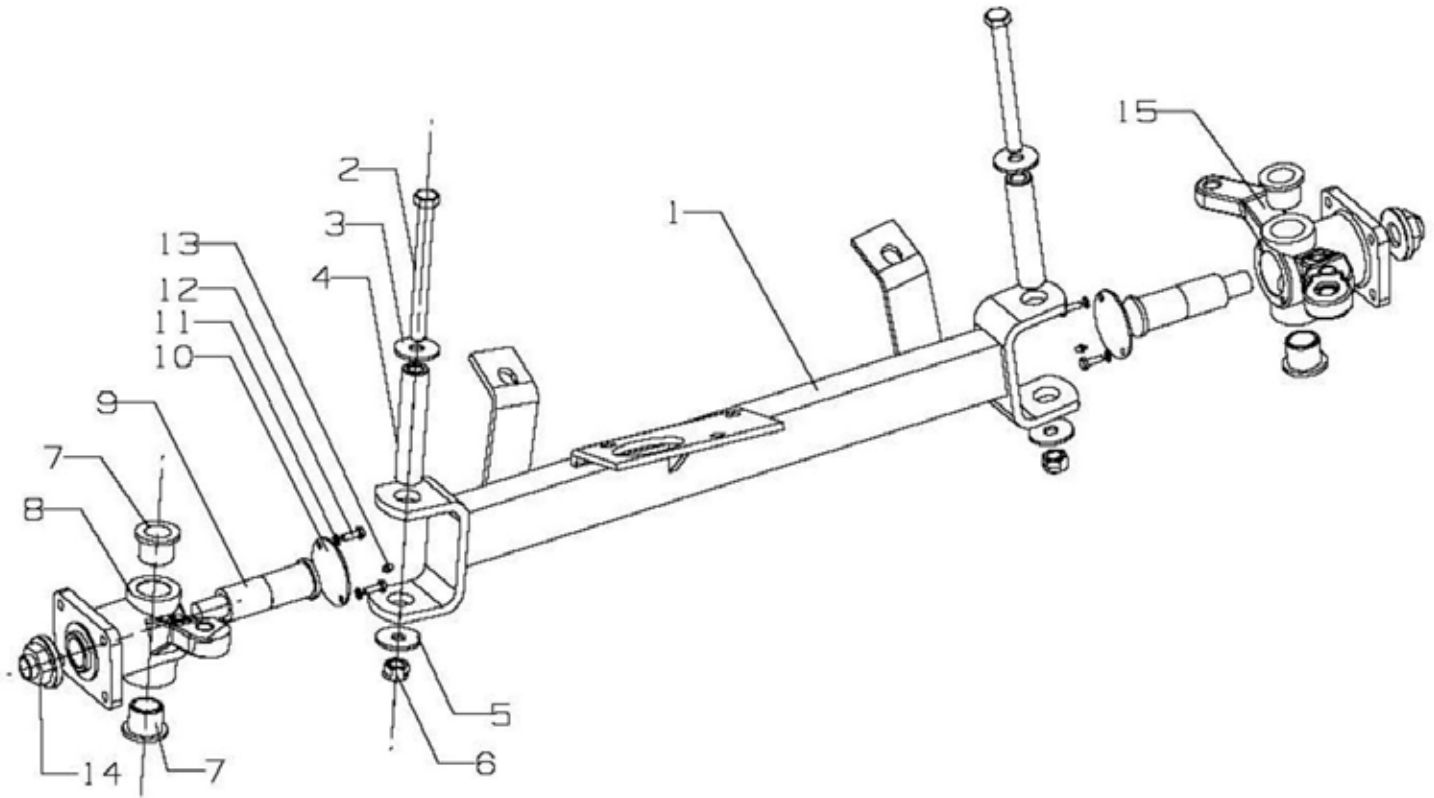
7-1 Front Axle, Steering Knuckle, Tie Rod, Drag Rod*



*Applies to 2016 vehicles and earlier (serial number begins with 16). For 2017 serial numbers, applies to vehicles with serial number before 17636020028.

Item No.	STAR EV Part No.	Description	MPN	Qty
1	2AX110	Front axle	2300000-006	1
2	2SP010	Steering knuckle, LH	2302100-010	1
	2SP040	Steering knuckle, LH	2302100-012	1
3	2SP011	Steering knuckle, RH	2302200-010	1
	2SP041	Steering knuckle, RH	2302200-012	1
4	2ST600	Ball connector	2701220-008	1
5		Join rod	LT3401070BM2-2	1
6		Steering drag rod Assembly includes 4, 5 (hydraulic)	2024YY-2701010	1
7	2TI150	Tie rod (hydraulic)	2706100-037	1
8	2TI050	Tie rod ball connector	2706120-036	2

7-2 Front Axle, Steering Knuckle, Tie Rod, Drag Rod*

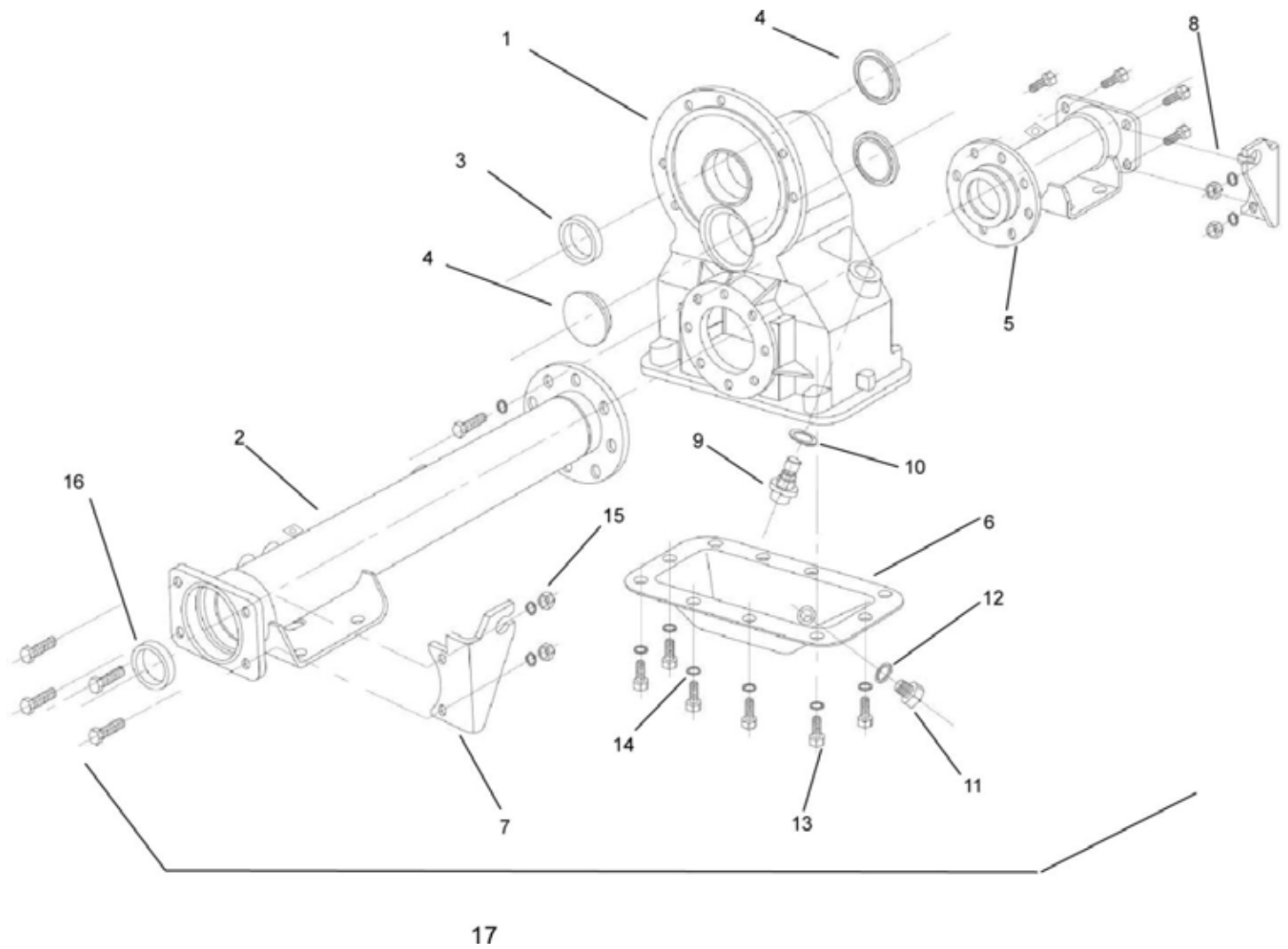


*Applies to vehicles with a 2017 serial number and later. If serial number begins with "17", applies to numbers 17636020028 and later. Applies to all vehicles that begin with letters.

Item No.	STAR EV Part No.	Description	MPN	Qty
1	2AX110	Front axle assembly	2300000-006	1
2	2KP009	King pin $\Phi 12 \times 125$	Q52110125	2
3		Large gasket M12	Q40212	2
4	2KP011	King pin pipe	2302114-008	2
5		Large gasket M12	Q40212	2
6		Nut M12	Q32612	2
7	2BS405	Copper bush	2302113-037	4
8	2SP012	Driver side steering knuckle assembly for Hydraulic 2017 and newer Classic, except 48-6 and 48-6+2 (includes parts #2-14)	2302100-039	1
	2SP042	Driver side steering knuckle assembly for Hydraulic 2017 and newer Classic, 48-6 and 48-6+2 only (includes parts #2-14)	2302100-038	1
	2SP032	Drive side steering knuckle assembly for Hydraulic 2017 and newer Sport (includes parts #2-14)	2302100-041	1
9		Central shaft (hydraulic)	2302112-038	2
10		Seal plate	2302115-037	2
11		Gasket spring M6	Q40306	4
12		Bolt M6 x 12	Q150B0612	4
13		Greasing bolt	2302117-037	2

14		Lock nut M18*1.5-6H	2302116-037	2
15	2SP013	Passenger side steering knuckle assembly for Hydraulic 2017 and newer Classic, except 48-6 and 48-6+2 (includes parts #2-14)	2302200-039	1
	2SP043	Passenger side steering knuckle assembly for Hydraulic 2017 and newer Classic; Classic 48-6 and 6+2 only (includes parts #2-14)	2302200-038	1
	2SP033	Passenger side steering knuckle assembly for Hydraulic 2017 and newer Sport (includes parts #2-14)	2302200-041	1

8 Rear Axle



Item No.	STAR EV Part No.	Description	MPN	Qty
1		Retarder case	2403001-EG2024-000	1
2		Right half axle sleeving (hydraulic)	2401220-EG2024-00A	1
3		Oil seal (F) B32×47×8	32*47*8	1
4	2RR150	Blanking adapter	2403006-EG2024-000	3
5		Left half axle sleeving (hydraulic)	2401120-EG2024-00A	1
6	2RR200	Oil pan	2403002-EG2024-000	1
7	2RR180	Right braking tube frame	2024-2301001	1
8	2RR180	Left braking tube frame	2024-2301001	1
9		Filler bolt	2403003-EG2024-000	1
10		Filler bolt washer	2403003-EG2024-000	1
11		Drain bolt	2403004-EG2024-000	1
12		Drain bolt washer	2403005-EG2024-000	1
13		Hex head bolt M8×25	Q150B0825-304H	34
14		Spring washer M8	Q40308-304H	34
15		Hex head lock nut M8	Q32608	8
16	2OL040	Oil seal	42*55*7	2

2RE010	Rear End - 19 spline complete 12.49:1 for Hydraulic SPORT 6P Classic with 4 wheel Hydraulic brake system	2400000-024 - 6L version	
2RE070	Rear End - 19 Spline, 10:25:1 High speed for Classic 36-2, 36-2+2, 48-2, 48-2+2, and 48-4 with hydraulic brake system	2400000-009	1
2RE130	Rear End - 19 spline complete High Speed 10.26:1 (2015 version) Hydraulic	2400000-045	1
2RE150	Rear End - 19 spline complete Low Speed 12.76:1 (2015 version) Hydraulic	2400000-044	1