

 Search with **Ctrl-F** (PC) or **Command-F** (Mac) to quickly find what you're looking for.



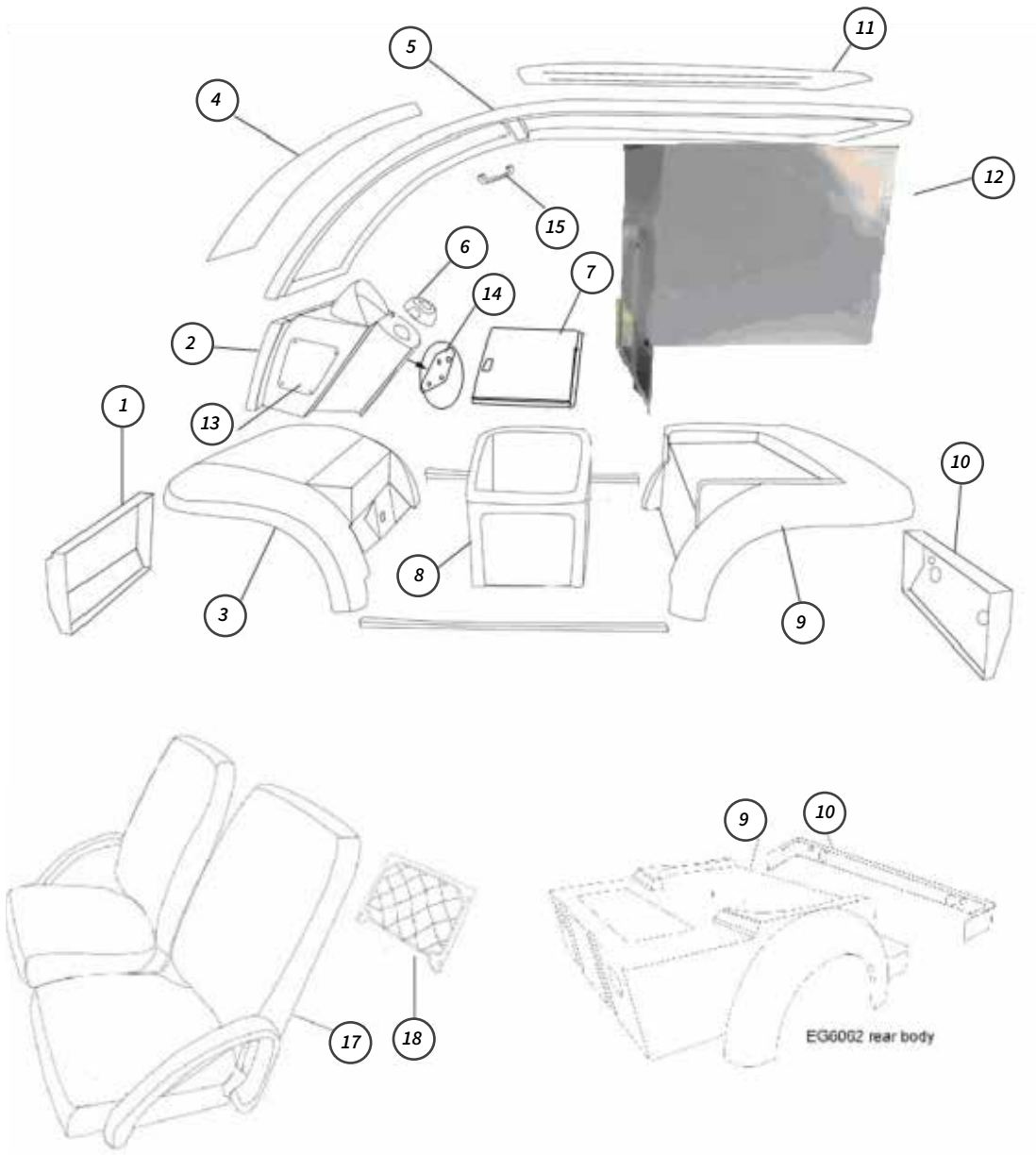
K-Series Parts Manual

**K48-2-Standard-2TB(-D), K48-2-Standard-BC(-D), K48-2-Standard-EB(-D),
K48-2-Standard-IB(-D), K48-2-Standard-SB(-D), K48-2-Standard-UB(-D), K48-2-Long-2TB(-D),
K48-2-Long -BC(-D), K48-2-Long -EB(-D), K48-2- Long -IB(-D), K48-2-Long -SB(-D),
K48-2-Long -UB(-D), K48-4-EB(-D), K48-4-SB(-D), K48-4-UB(-D)**

Contents

1-1	Body Parts	3
1-2	Side Rear View Mirror	5
1-3	Inner Rear View Mirror	6
2-1	Frame Assembly, Floor	7
3-1	Steering Column Assembly	8
3-2	Redirector Assembly	9
3-3	Steering Wheel Assembly	11
4-1	Brake Pedal & Parking Brake Pedal	12
4-2	Master Cylinder and Brake Pipe	13
4-3	Front Brake Assembly	14
4-4	Rear Brake Assembly	16
4-5	Parking Brake System	18
5-1	Front Shock Absorber	19
5-2	Front Suspension Arm	21
5-3	Rear Suspension	23
6-1	Half Shaft	25
6-2	Axle House	26
6-3	Retarder Assembly	27
6-4	Differential Assembly	28
7-1	Wheel and Tire	29
8-1	Motor Assembly	30
9-1	Turn Signals, Headlights	32
9-2	Alarm Lamp, Siren	33
9-3	Meter, Start Key	34
9-4	Radio and CD Player	35
9-5	Windshield Wiper Assembly	36
9-6	Accelerator Assembly, DC Converter	37
9-7	Other Electric Equipment	38
9-8a	Electronic Controller 1268 Assembly	39
9-8b	Electronic Controller 1204	41
9-9	Batteries and Connect Wire	42
9-10	DPI Charger	44

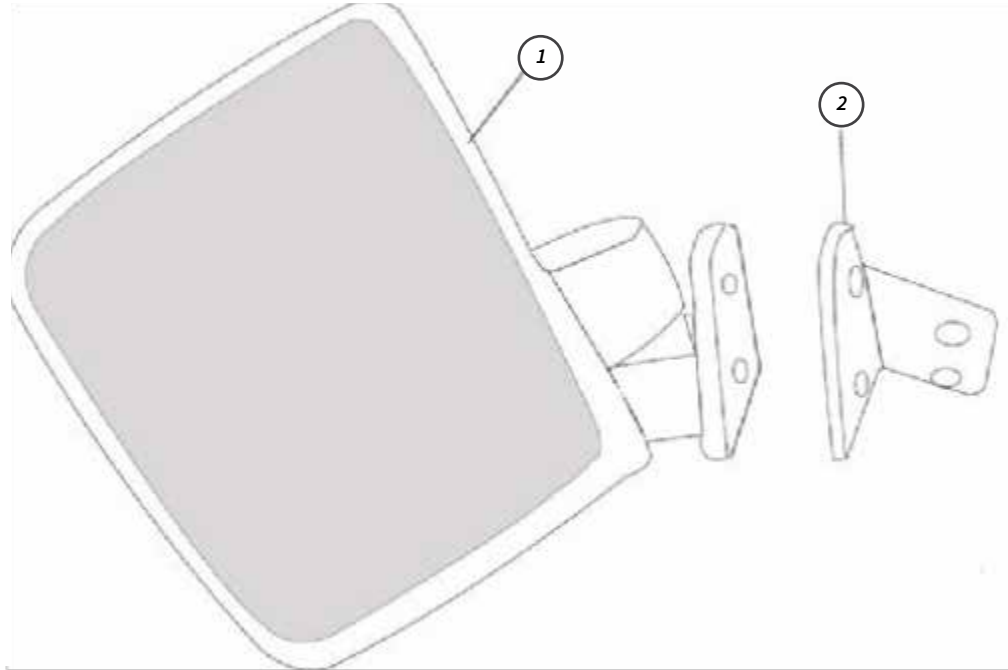
1-1 Body Parts



Item No.	STAR EV Part No.	Description	MPN	Qty
1		Front bumper	5307110-005	1
2		Dashboard	6042-5205010	1
3		Front body	5302010-024	1
4		Windshield	5303010-007	1
5		Roof & windshield frame	6042-5602100	1
		Roof & windshield frame	6062-5601100	1
6		Light switch cover	5305133-024-A0	1
7		Battery cover	6042-5102021	1
8		Seat pot	5103010-024	1
9		Rear body	6041-5102030	1
		Rear body	5103040-024	1
10		Rear bumper	6041-5506001	1
		Rear bumper	5406100-008	1

11		Roof	6042-5602101	1
		Roof	5702210-024	1
12		Rear Box		1
13		Oil tank access	5305011-024	1
14		Front light access	5305012-024	1
15		Roof handle	5708010-014	1
17		First row of seat assembly	7110000-023	1
18		Storage net	5305011-022	2
19		Controller access	5108011-024	1

1-2 Side Rear View Mirror



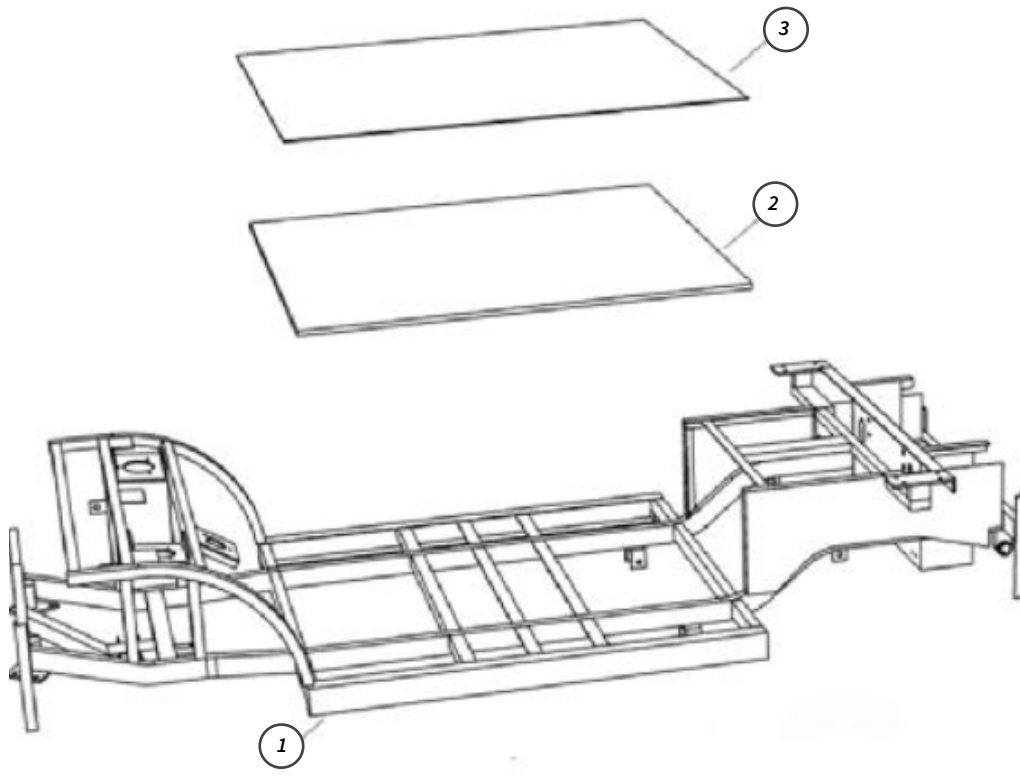
Item No.	STAR EV Part No.	Description	MPN	Qty
1		Side rear view mirror	9002100-009	2
2		Side mirror bracket	6042-9002011	2

1-3 Inner Rear View Mirror



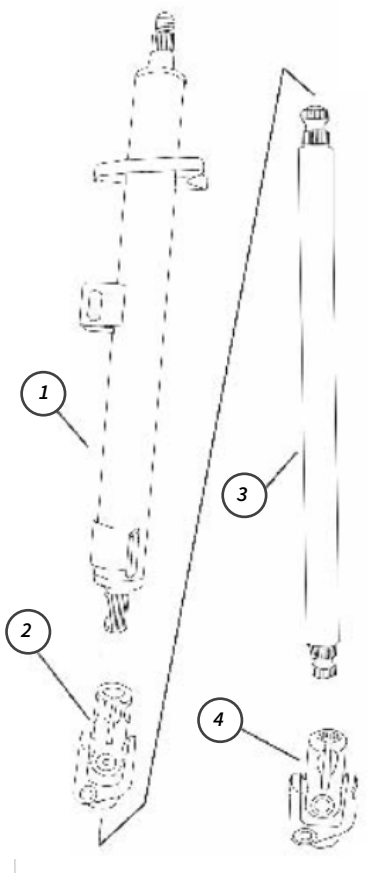
Item No.	STAR EV Part No.	Description	MPN	Qty
1		Inner rear view mirror	9001100-001	1
2		Inner rear view mirror holder	9001010-001	1

2-1 Frame Assembly, Floor



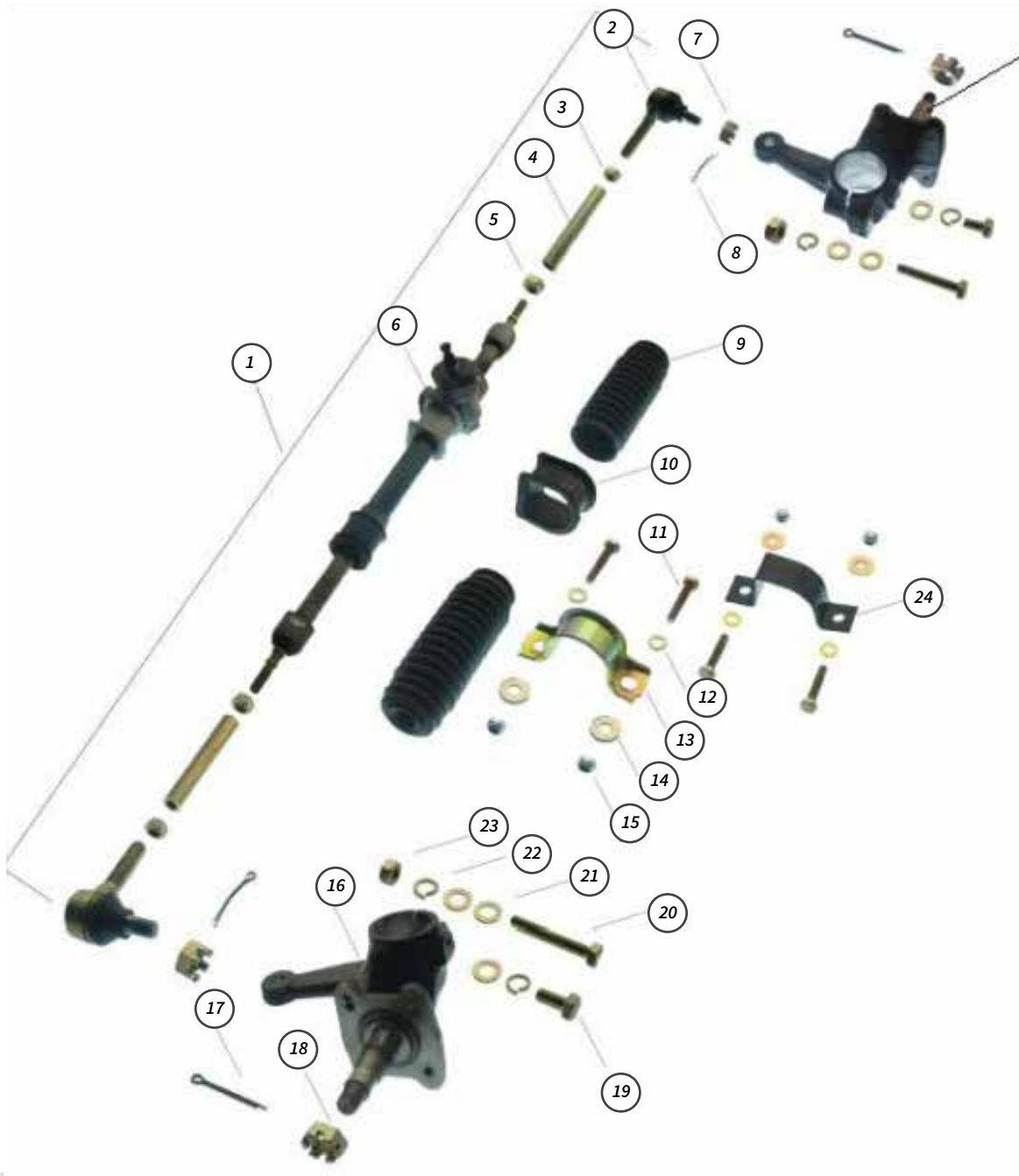
Item No.	STAR EV Part No.	Description	MPN	Qty
1		Frame assembly	6042-5000020	1
		Frame assembly	5101000-021	1
2		Bamboo floor	6042-5105000	1
		Bamboo floor	5106100-024	1
3		Floor mat		1
		Floor mat		1

3-1 Steering Column Assembly



Item No.	STAR EV Part No.	Description	MPN	Qty
1	2ST225	Steering column assembly	2705100-007	1
2		Gimbal	2704100-001	1
3		Connecting rod	2704300-007	1
4		Gimbal	2704100-022	1

3-2 Redirector Assembly



Item No.	STAR EV Part No.	Description	MPN	Qty
1	2ST530	Redirector assembly	2701100-007	1
2	2ST600	Ball connector	2701220-008	2
3		Nut M14	Q340B14	2
4		Rod	LT3401070BM2-1	2
5		Nut M12	Q340B12	2
6		Steering gear housing	LT3401020BM2	1
7		Slotted nut M12	Q381B12	2
8		Split pin $\Phi 2.5 \times 20$	Q5000220	2
9	2ST050	Dust proof cover	2701111-008	2

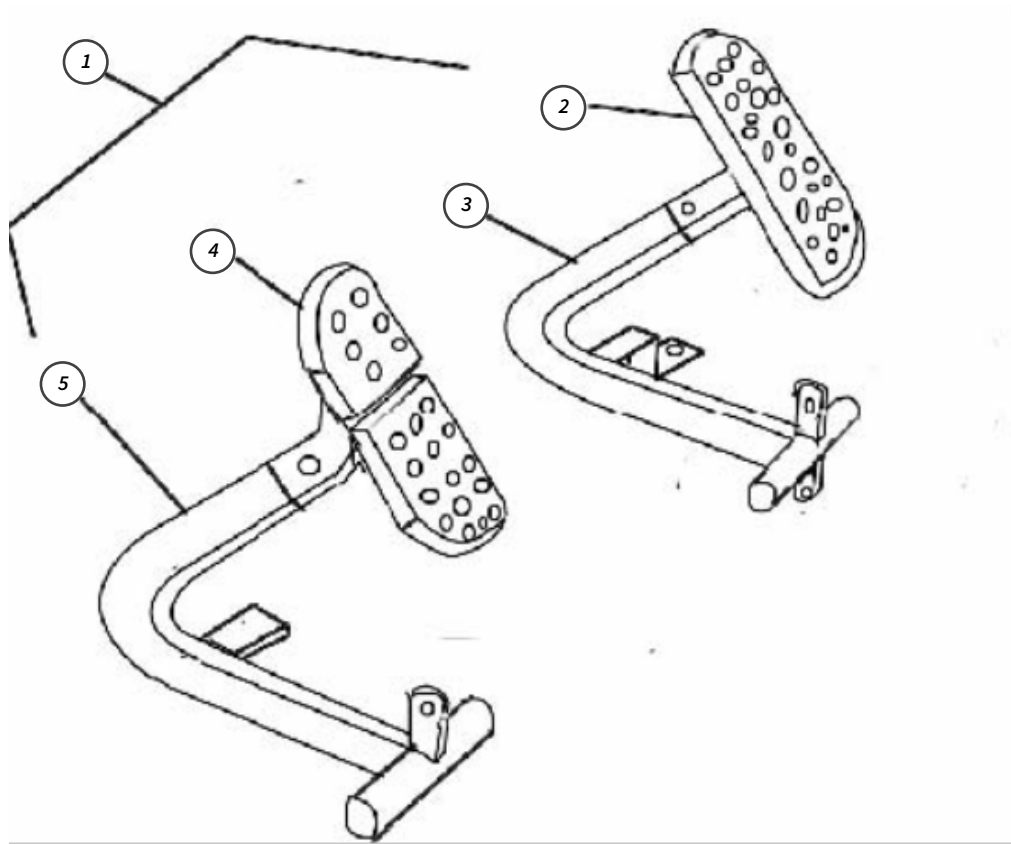
10		Left bracket bush		1
11		Bolt M8×40	Q150B0840	4
12		Gasket M8	Q40108	4
13		Right bracket of redirector		1
14		Big gasket M8	Q40208	4
15		Self-lock nut M8	Q32608	4
16	2SP140	Left knuckle	2302100-007	2
17		Split pin Φ4×40	Q5000440	2
18		Slotted nut M16	Q387B16	2
19		Bolt M10×20	Q150B1020	2
20		Bolt M10×60	Q150B1060	2
21		Gasket M10	Q40110	6
22		Gasket spring M10	Q40310	4
23		Nut M10	Q340B10	2
24		Left bracket of redirector		1
25	2SP141	Right knuckle	2302200-007	1

3-3 Steering Wheel Assembly



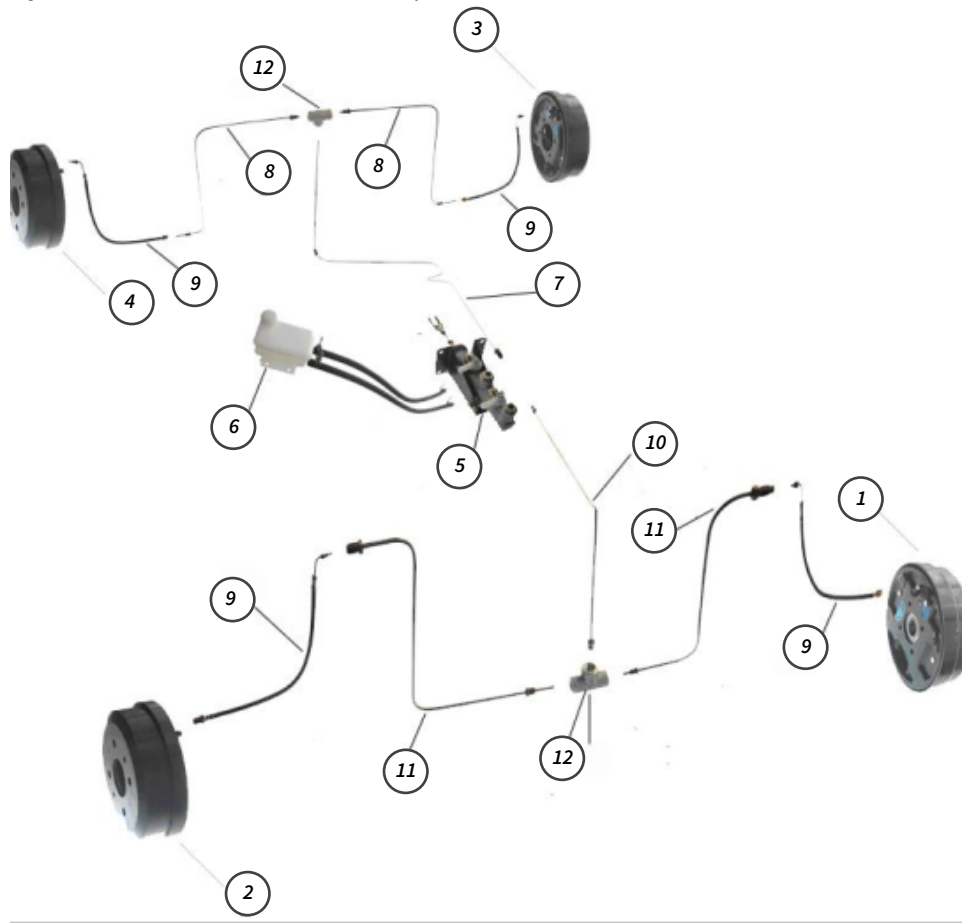
Item No.	STAR EV Part No.	Description	MPN	Qty
1	2SL020	Steering wheel Assembly	2702100-005	1
2	2SL010	Steering horn cap	6042-2702121	1

4-1 Brake Pedal & Parking Brake Pedal



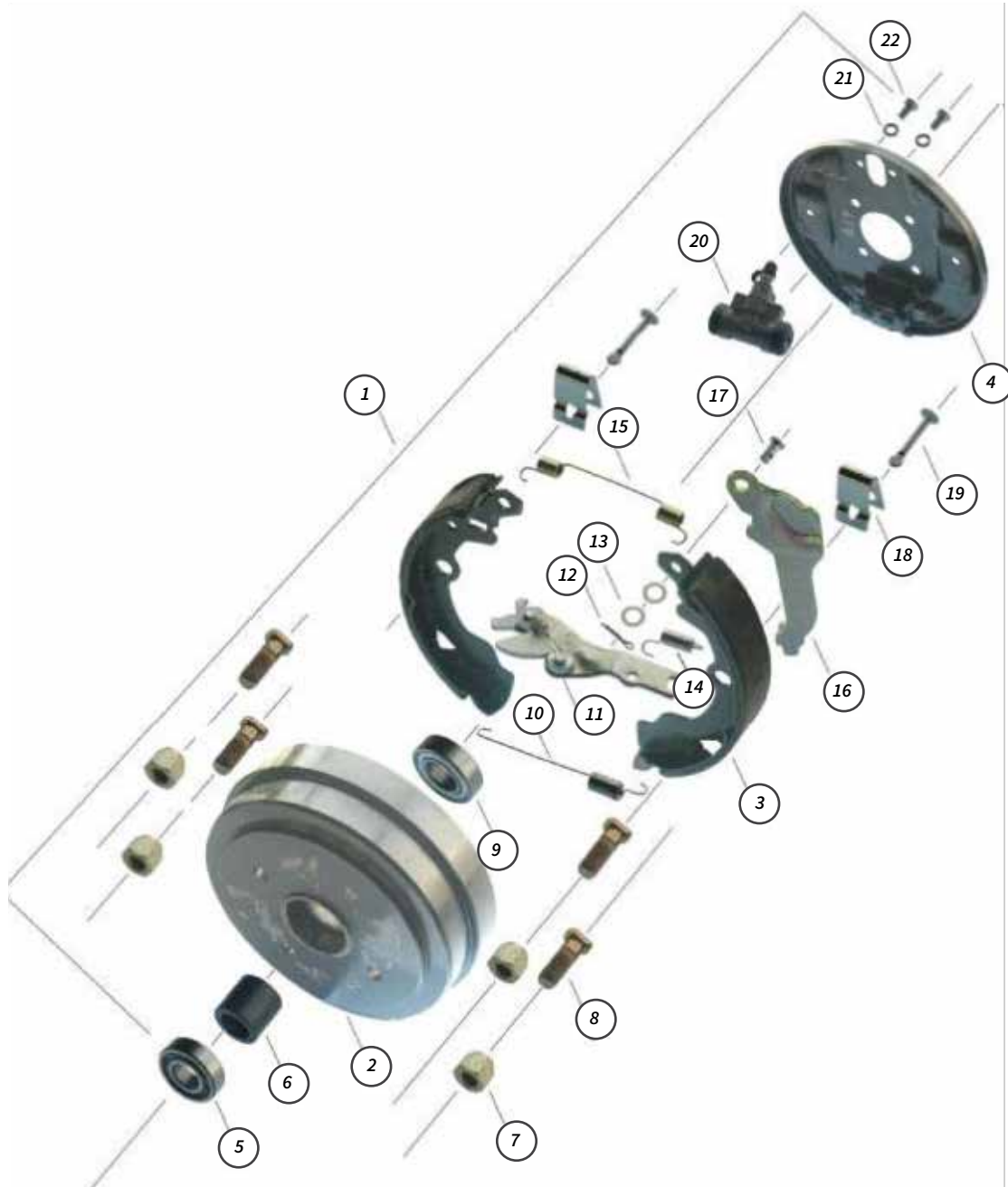
Item No.	STAR EV Part No.	Description	MPN	Qty
1	2PD110	Brake pedal (include service brake and parking brake) assembly	2803112-024	1
2	2PD090	Service brake pedal		1
3		Service brake bracket		1
4	2PD100	Parking brake pedal		1
5		Parking brake pedal		1

4-2 Master Cylinder and Brake Pipe



Item No.	STAR EV Part No.	Description	MPN	Qty
1	2BP016	Front brake assembly, LH	2801100-007	1
2	2BP017	Front brake assembly, RH	2801200-007	1
3	2BP018	Rear brake assembly, LH	2802100-006	1
4	2BP019	Rear brake assembly, RH	2802200-006	1
5	2MC000	Master cylinder	2804100-022	1
6	2TB090	Reservoir Assembly	2805040-002	1
7	2TB014	Brake pipe 1800mm	2805020-008	2
8	2TB140	Brake pipe 600mm	2805020-004	2
9	2TB100	Brake cable 600mm	2805030-008	4
10		Brake pipe 1880mm	2805020-011	1
11	2TB130	Brake pipe 500mm	2805020-016	2
12	2TB270	Tee connector	2805014-002	2

4-3 Front Brake Assembly



Item No.	STAR EV Part No.	Description	MPN	Qty
1	2BP016	Front brake assembly LH	2801100-007	1
	2BP017	Front brake assembly RH	2801200-007	1
2	2DR030	Front brake drum	2801310-007	2
3	2SH000	Brake shoe assembly	2801110-007	4
4		Motherboard assembly		2
5		Outer bearing	6204	2
6		bush		2
7		Wheel nut		8
8		Wheel bolt		8
9		Inner bearing	6205	2

10		Spring		2
11		Shoe gap self adjustment pusher		2
12		Split pin		2
13		Gasket		4
14		Return spring		2
15		Return spring		2
16		Parking brake lever		2
17		Parking brake shoe pin		2
18		Brake shoe stationary spring		4
19		Hold-down pin		4
20		Front wheel cylinder	2801130-007	2
21		Gasket spring M6	Q40306	4
22		Bolt Hex-head castle M6×10	Q150B0610	4

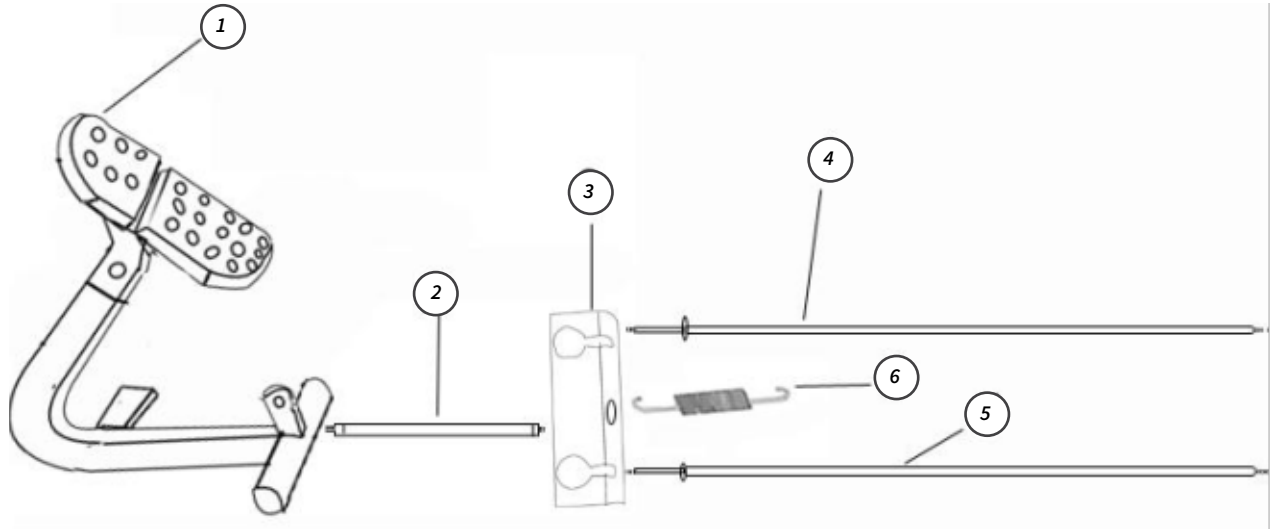
4-4 Rear Brake Assembly



Item No.	STAR EV Part No.	Description	MPN	Qty
1	2BP018	Rear brake assembly LH	2802100-006	1
	2BP019	Rear brake assembly RH	2802200-006	1
2	2DM120	Rear brake drum	2802310-006	2
3	2SH010	Brake shoe assembly	2802110-006	4
4		Motherboard assembly		2
5		Spring		2
6		Split shield ring		2
7		Thrust washer		2
8		Clearance plate		2

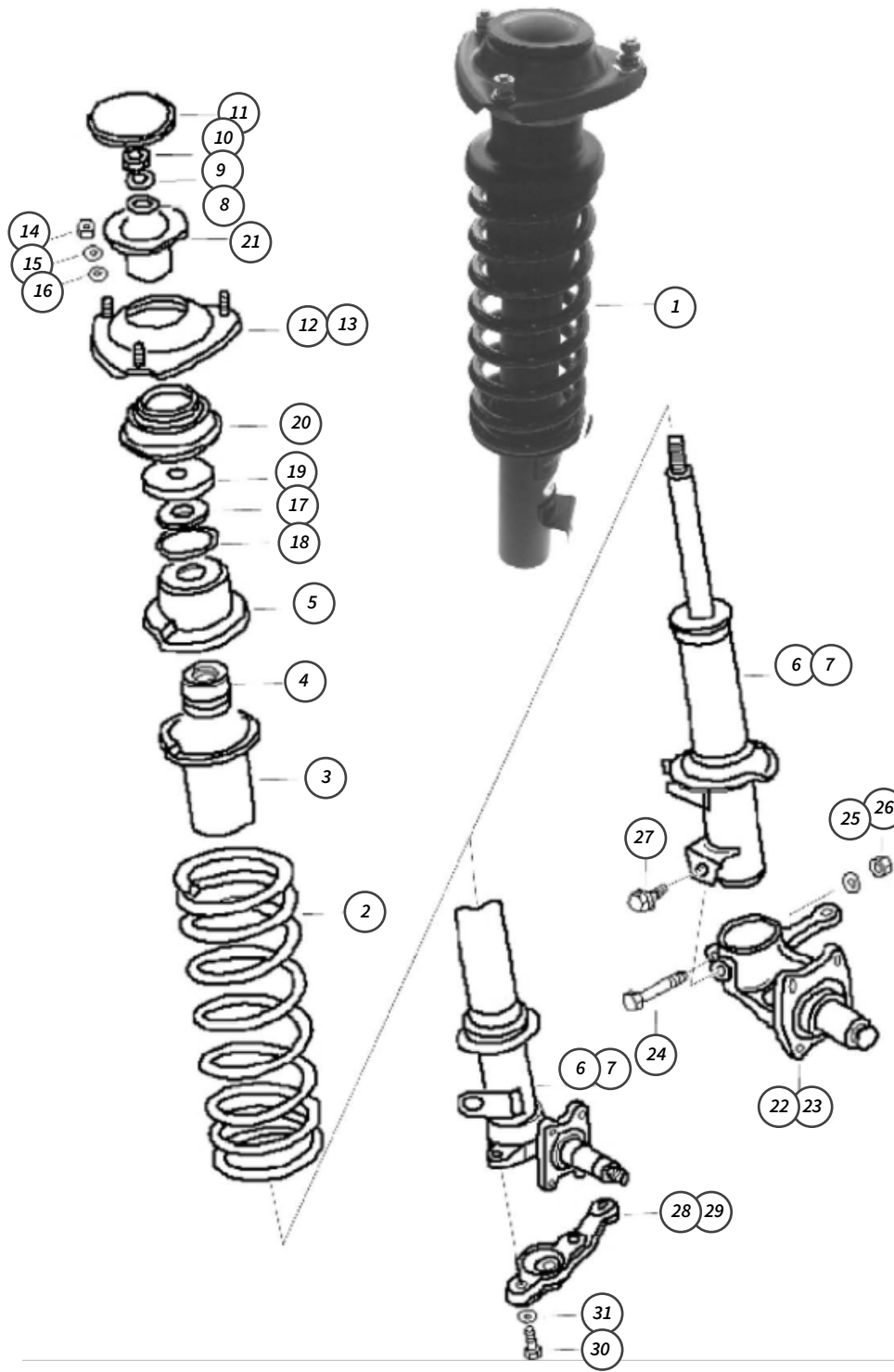
9		Shoe gap self adjustment rod		1
10		Ratchet wheel		2
11		Shoe gap self adjustment rod		2
12		Parking brake lever		2
13		Return spring		2
14		Brake shoe return spring		2
15		Gasket	Q401	4
16		Split pin		2
17		Brake shoe stationary spring		4
18		Hold-down pin		4
19	2CY301	Rear wheel cylinder	2802130-009	2
20		Gasket spring M6	Q40306	4
21		Bolt Hex-head castle M6×10	Q150B0610	4

4-5 Parking Brake System



Item No.	STAR EV Part No.	Description	MPN	Qty
1		Parking brake assembly		1
2		Connecting rod		1
3		Parking cable connecting plate		1
4-5	2CB033	Standard Cable set: tip-to-tip 54.5" / 138 cm and 62" / 157 cm	2807310-006 2807320-006	1
	2CB034	Long Cable set: tip-to-tip 68" / 173 cm and 78" / 198 cm	2807310-006 2807320-006	
6		Parking brake return spring		1

5-1 Front Shock Absorber



Item No.	STAR EV Part No.	Description	MPN	Qty
1	2SC041	Front shock absorber RH	2501100-007	1
		Front shock absorber LH	2501200-007	1
2		Front coil spring		1
3		Front coil spring seat		2
4		Spring bumper		2
5		Upper spring seat		2

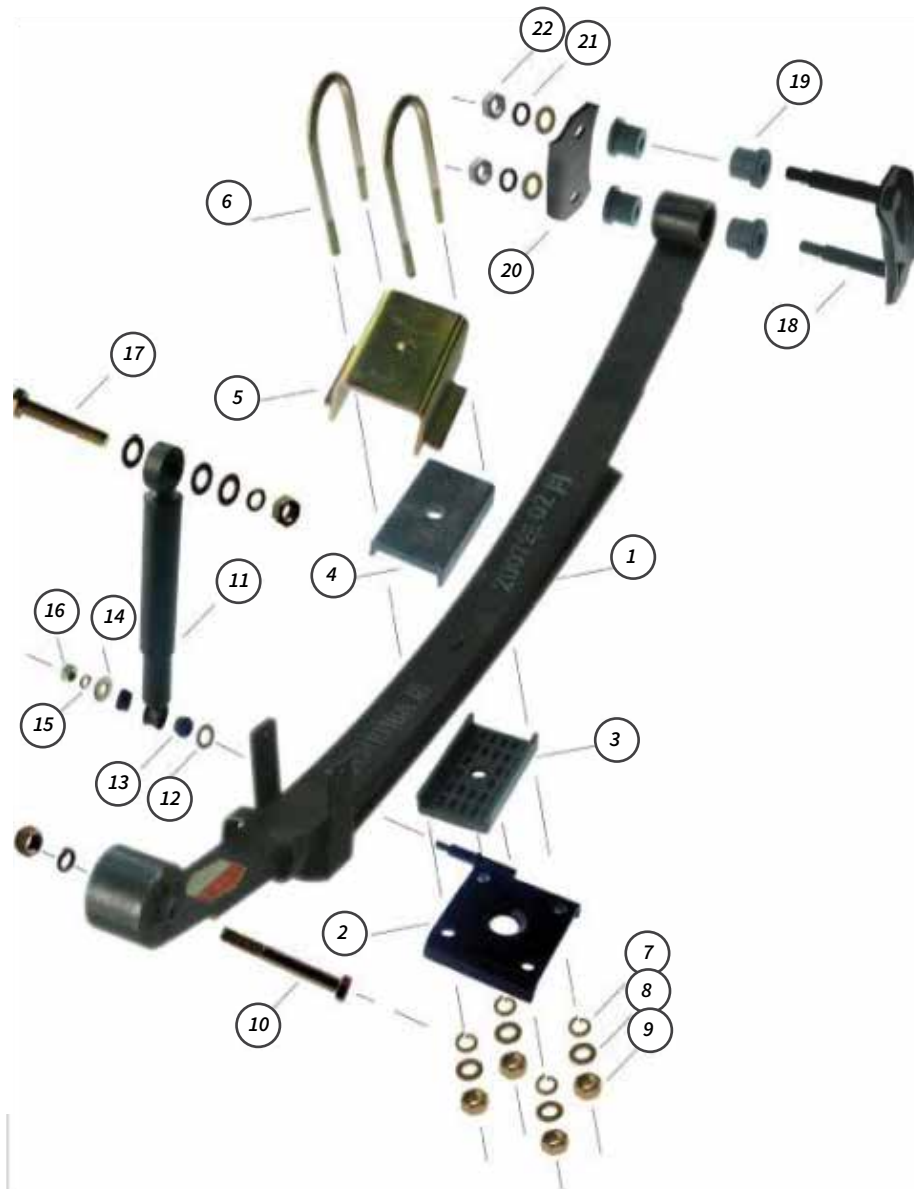
6		Strut assembly, RH		1
7		Strut assembly, LH		1
8		Washer	Q401	2
9		Spring washer	Q403	2
10		Hex-head nut		2
11		Front strut support cap		2
12		Front strut support, RH		1
13		Front strut support, LH		1
14		Nut		6
15		Spring washer	Q403	6
16		Washer	Q401	6
17		Strut thrust bearing		2
18		Dust stal strut bearing		2
19		Bearing seat		2
20		Front strut rubber support		2
21		Thrust rebound Stopper		2
22	2SP141	Steering knuckle, RH	2302200-007	1
23	2SP140	Steering knuckle, LH	2302100-007	1
24		Steering knuckle bolt		2
25		Steering knuckle spring washer		2
26		Steering knuckle nut		2
27		Steering knuckle nut		2
28		Steering knuckle arm, RH		1
29		Steering knuckle arm, LH		1
30		Hex-head bolt	Q150B	4
31		Spring washer	Q403	4

5-2 Front Suspension Arm



Item No.	STAR EV Part No.	Description	MPN	Qty
1	2SC050	Front suspension arm assembly	2503200-014	2
2	2SC066	Tension rod assembly	2505100-022	2
3		Tension rod bush		4
4		Tension rod plank		2
5		Tension rod washer		2
6		Tension rod nut	Q330	2
7		Tension rod plank Bolt	Q150B	8
8		Tension rod plank gasket	Q401	8
9		Tension rod plank spring washer	Q403	8
10		Tension rod plank nut	Q353B	8
11		Bolt M10×80	Q150B1080	2
12		Bolt	Q254	8

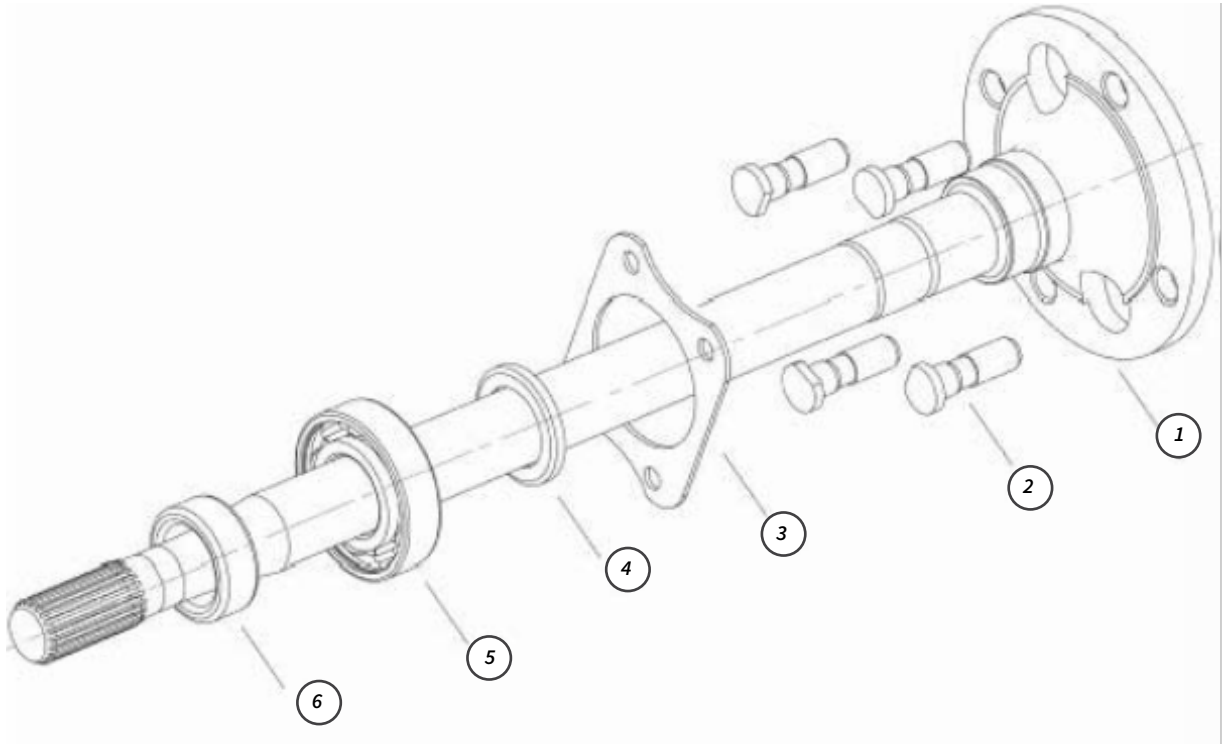
5-3 Rear Suspension



Item No.	STAR EV Part No.	Description	MPN	Qty
1		Rear leaf spring assembly	2508100-010	2
2		Leaf spring lower press plate RH	2509014-007	1
		Leaf spring lower press plate LH	2509013-007	1
3	2SK200	Lower pad	2509016-007	2
4		Upper pad	2509015-007	2
5		Rear leaf spring clamp plate	2509012-007	2
6	2LF005	Leaf spring U bolt	2509011-010	4
7		Gasket Spring M12	Q40312	10
8		Gasket M12	Q40112	18
9		Nut M12	Q340B12	10
10		Bolt M12×100		2
11		Rear shock absorber assembly	2504100-002	2
12		Gasket M8	Q40108	1

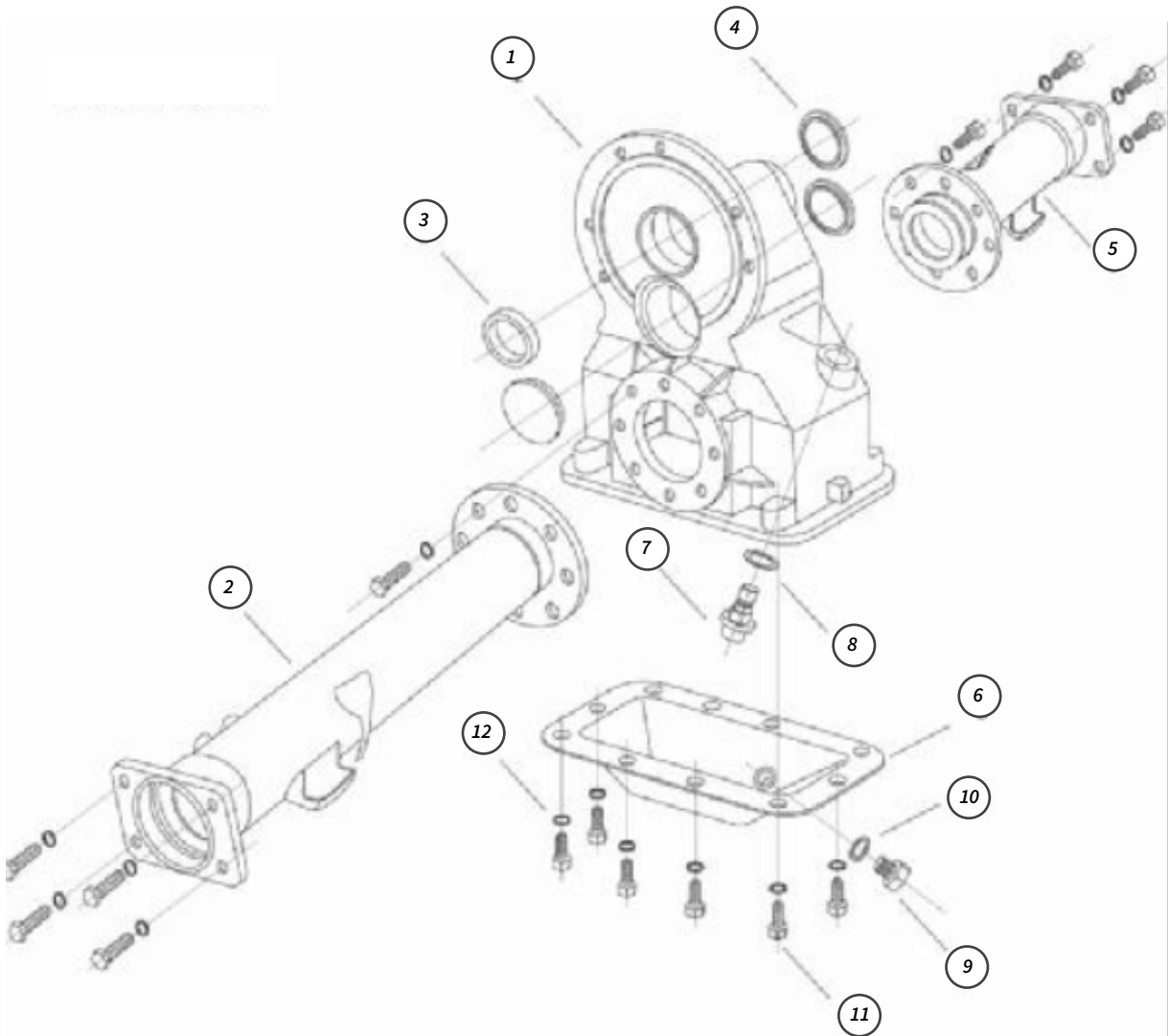
13		Bush		4
14		Big gasket M8	Q40208	
15		Gasket spring M8	Q40308	
16		Nut M8	Q340B08	
17		Bolt M10×60	Q150B1060	2
18		Shackle inner plate	2509021-007	2
19		Bush		8
20		Shackle outer plate	2509022-007	2
21		Gasket spring M10	Q40310	4
22		Nut M10	Q340B10	4

6-1 Half Shaft



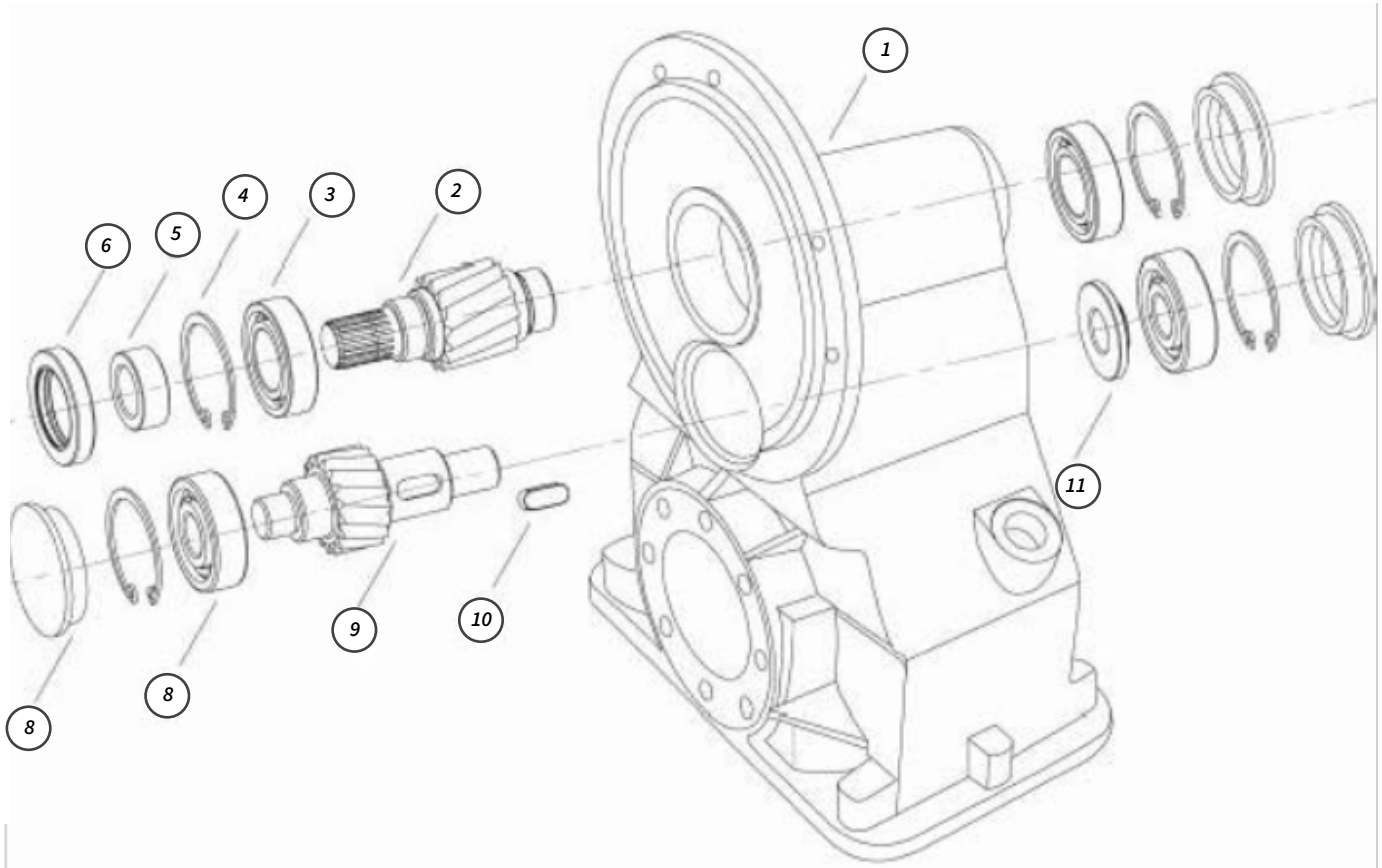
Item No.	STAR EV Part No.	Description	MPN	Qty
1		Left half axle for 19' spline rear axle	2402100-020	1
		Left half axle for 18' spline rear axle	2402100-007	1
		Right half axle for 19' spline rear axle	2402200-020	1
		Right half axle for 18' spline rear axle	2402200-007	1
2	2LN110	Tyre bolt M12×45	2600011-011	16
3		Bearing capping		2
4	2OL080	Inner shield ring	9010007-06206-001	2
5	2BE005	Bearing 6206-Z	6206	2
6	2OL030	Outer shield ring	9010007-06206-000	2

6-2 Axle House



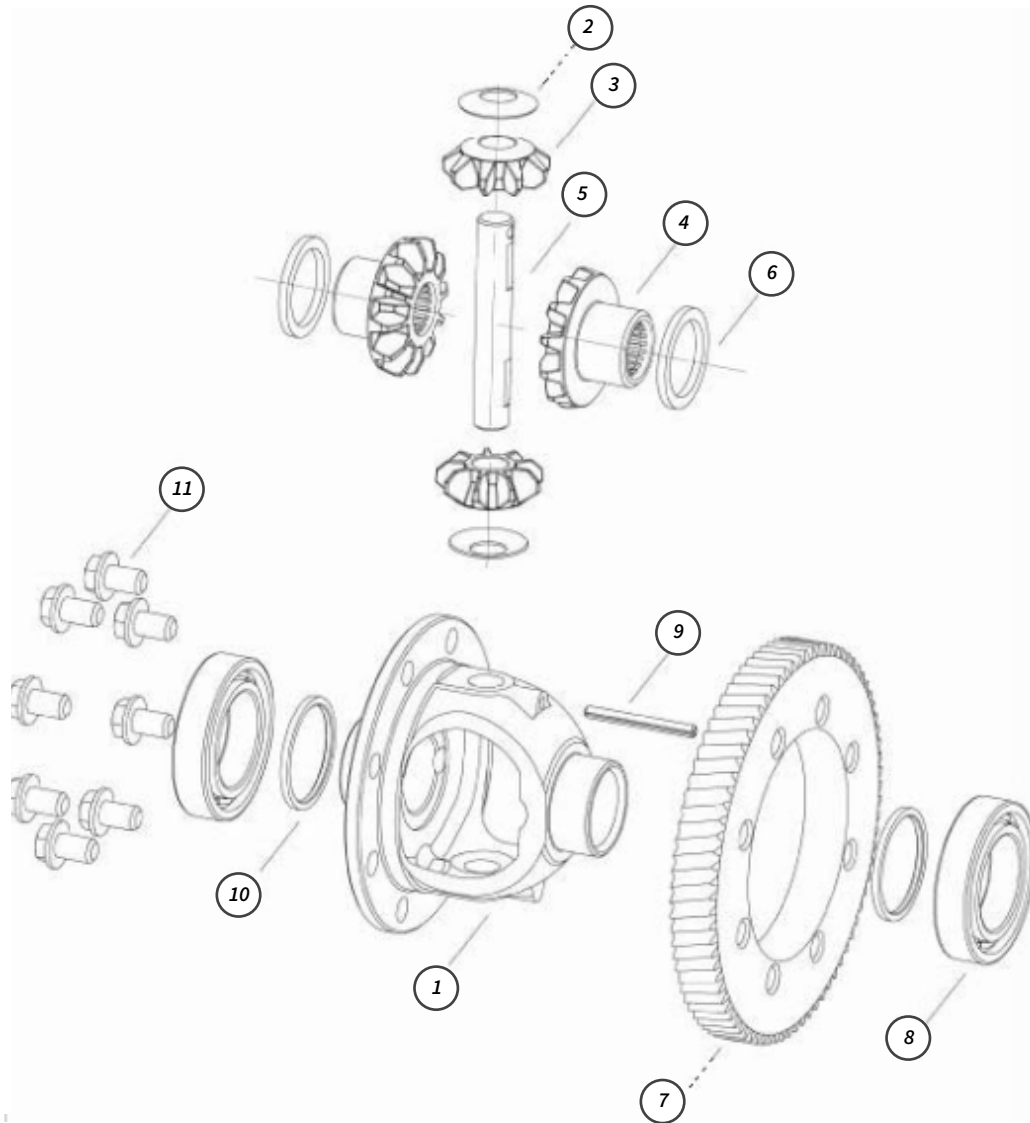
Item No.	STAR EV Part No.	Description	MPN	Qty
1		Retarder case		1
2		Right half axle sleeving		1
3		Oil seal (F) B32×47×8		1
4		Blanking adapter		3
5		Left half axle sleeving		1
6		oil pan		1
7		Filler bolt		1
8		Filler bolt gasket		1
9		Drain bolt		1
10		Drain bolt gasket		1
11		Bolt M8×25	Q150B0825	34
12		Gasket spring M8	Q40308	34
13		Rear Axle Assembly (Square flange, 18 spline)	YG8061B	1
	2RE030	Rear Axle Assembly (Round flange, 19 spline)	2400000-007	1

6-3 Retarder Assembly



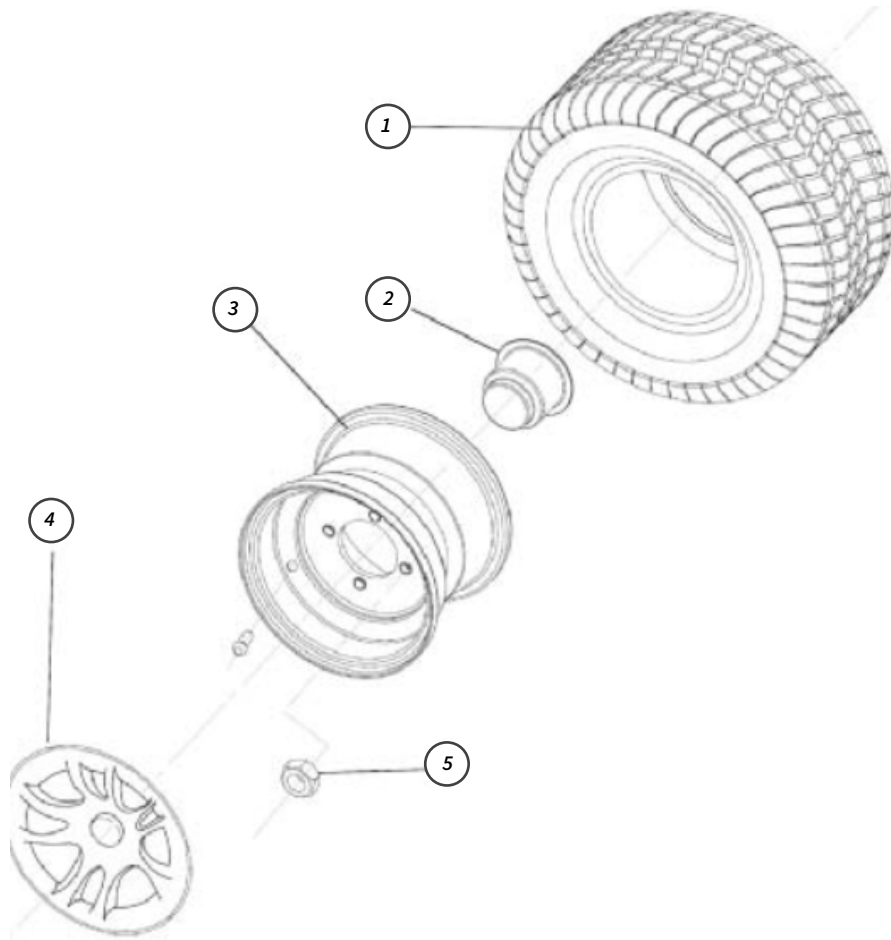
Item No.	STAR EV Part No.	Description	MPN	Qty
1		Retarder Assembly (Square flange, 18 spline)	2403100-007	1
		Retarder Assembly (Round flange, 19 spline)	YG8063-2403000	1
2	2RR120	Gear shaft 1	2403112-010	1
3	2BE010	Bearing 6005/P6	9010006-6005RZ-000	2
4	2OL045	Shield ring 47	2403011-EG2024-000	4
5	2OL060	Bush	9010007-6005RZ-000	1
6	2OL070	Oil seal (F) B32×47×8	2403302-EG2024-000	1
7	2RR150	Blanking adapter	2403006-EG2024-000	3
8	2BE009	Bearing 6303/P6	9010006-6303RS-000	2
9	2RR140	Gear shaft 2	2403114-010	1
10		Bond 8×20	8×20	1
11	2BE007	Spacer	9010007-6303RS-000	1

6-4 Differential Assembly



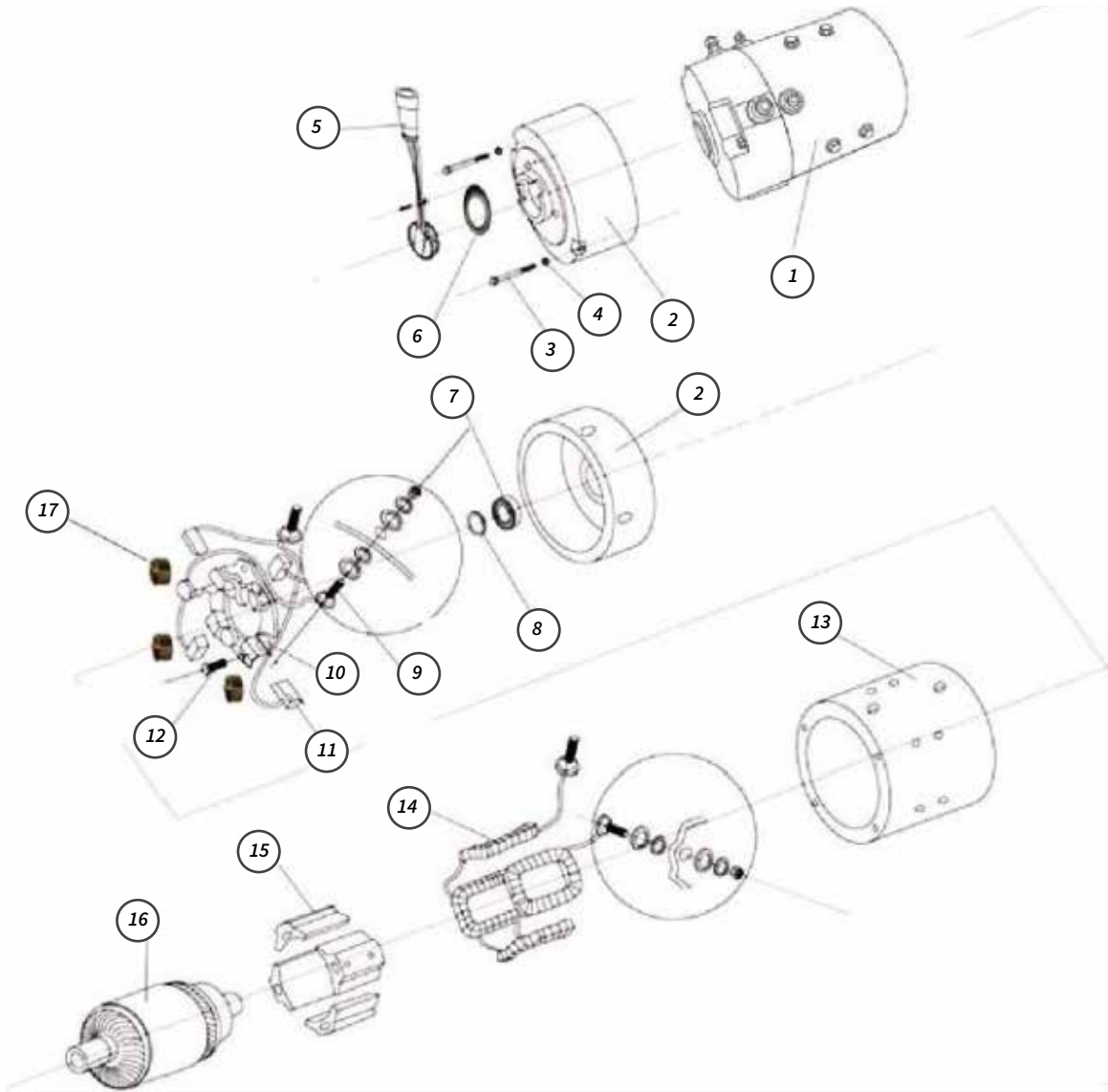
Item No.	STAR EV Part No.	Description	MPN	Qty
1	2RR060	Differential housing	DP-146	1
2		Spheroidal thrust washer	DP-147	1
3		Planetary gear	DP-148	2
4		Axle shaft gear	DP-149	2
5		Planetary gear shaft	DP-150	1
6		Adjusting gasket	DP-151	2
7	2RR070	Large gear	DP-152	1
8	2BE006	Bearing 6008	DP-153	2
9		Pin 5×45	DP-154	1
10		Washer	DP-155	2
11		Driving bevel gear screw	DP-156	8
12		Differential Assembly(include item1-11)	2403200-008	1

7-1 Wheel and Tire



Item No.	STAR EV Part No.	Description	MPN	Qty
1	2TR200	Tire	2602100-009	4
2		Rim	2601100-014	4
3		Tire bolt M12×45	2600011-011	16
4		Wheel nut	2600012-013	16
5		Tire valve	2601210-004	4

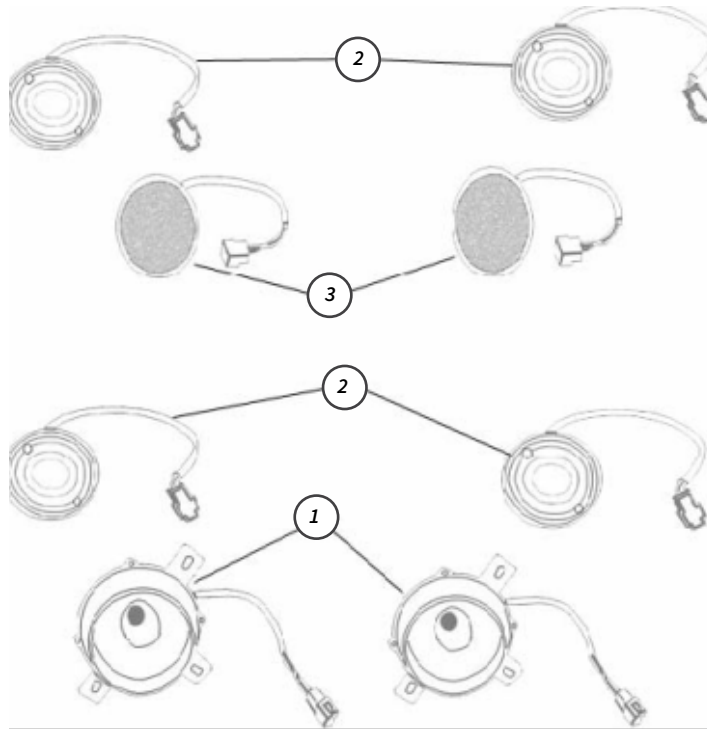
8-1 Motor Assembly



Item No.	STAR EV Part No.	Description	MPN	Qty
1	2MO170	Motor assembly (Sepex)	EG6042K01,EG6062K01	1
		Motor assembly (Series)	EG6042K,EG6062K	1
2		Commutator end of cover	MT-002	1
3		Bolt	MT-003	2
4		Gasket spring	MT-004	2
5	2MO230	Speed sensor for motor	3202020-005	1
6	2MO231	Magnet coil	10PMS08-01	1
7		Bearing	MT-007	1
8		Gland ring	MT-008	1
9		Armature binding post	MT-009	2
10		Brush shelf	XQ-3.8/040	4
11		Carbon brush for Chinese motor	XQ-3.8/020	4
12		Bolt	MT-012	4

13		Motor case	MT-013	1
14		Field coil kit	MT-014	4
15		Pole core	MT-015	4
16		Armature	MT-016	1
17		Brush spring	XQ-3.8/030	1

9-1 Turn Signals, Headlights



Item No.	STAR EV Part No.	Description	MPN	Qty
1		Headlight	3101100-004	2
2		Turn signal	3109100-004	4
3		Brake light	3106100-003	2

9-2 Alarm Lamp, Siren



Item No.	STAR EV Part No.	Description	MPN	Qty
1		Alarm Lamp	3124100-002	1
2		Self-tapping screw	Q270	4
3		Electric siren	3210100-003	1
4		Electric siren microphone		1
5		hook		1
6		Self-tapping screw	Q271	2

9-3 Meter, Start Key



Item No.	STAR EV Part No.	Description	MPN	Qty
1		Digital meter (Metric, 12.49:1 gear ratio)	3212100-052	1
		Digital meter (Metric, 10.25:1 gear ratio)	3212100-053	1
		Digital meter (British, 12.49:1 gear ratio)	3212100-054	1
		Digital meter (British, 10.25:1 gear ratio)	3212100-055	1
2		Emergency switch	3032010-002	1
3		Forwards/Reverse switch	3032010-001	1
4		Start key	3001010-002	1
5		Tow/Run Switch	3032020-001	1

9-4 Radio and CD Player



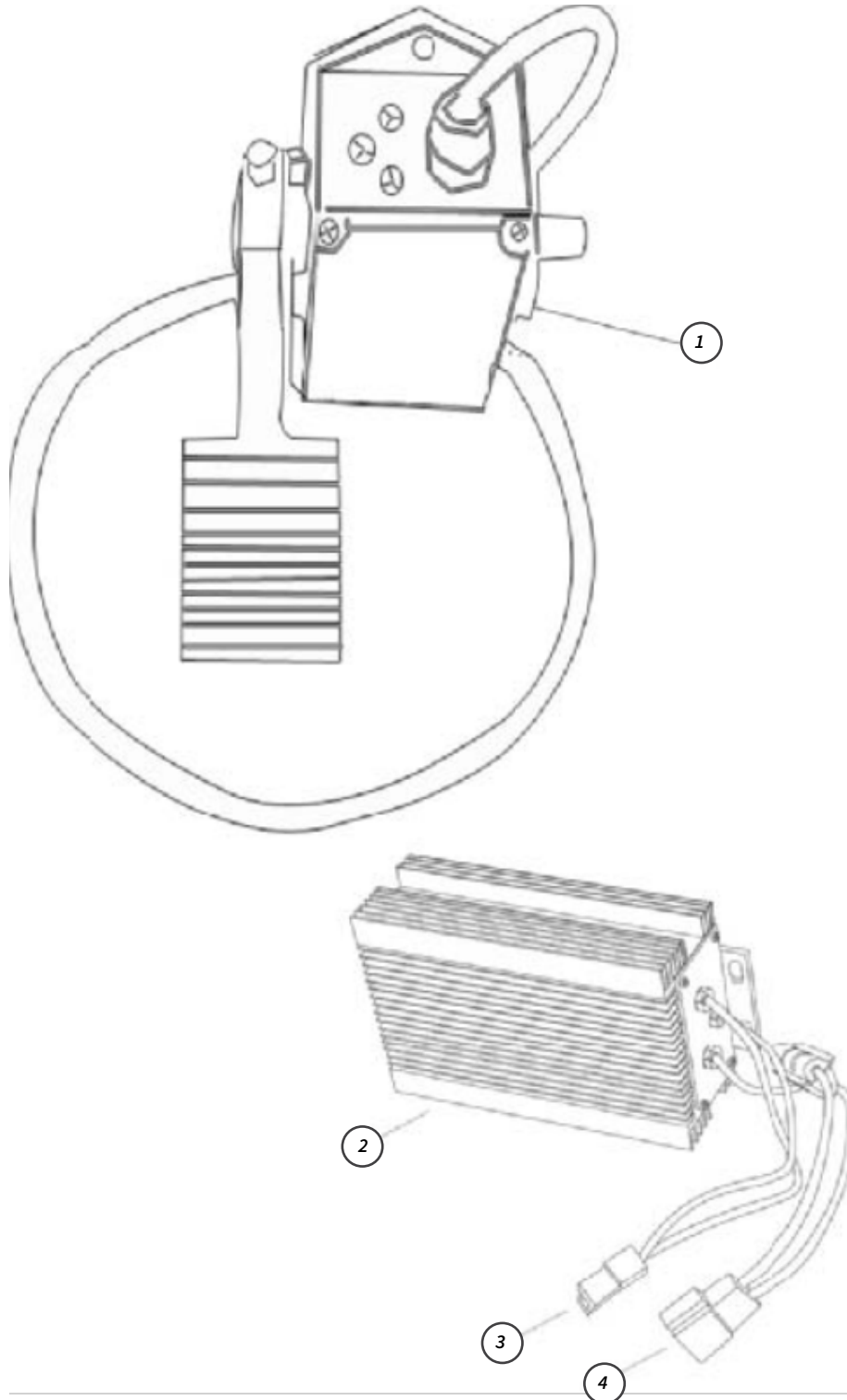
Item No.	STAR EV Part No.	Description	MPN	Qty
1		Radio	SCA-988A	1
2		CD player assembly	8501200-002	1
3		Dustproof cover	8501110-002	1
4		Wired microphone	3037100-001	1
5		antenna	8503010-001	1

9-5 Windshield Wiper Assembly



Item No.	STAR EV Part No.	Description	MPN	Qty
1		Windshield wiper motor assembly		1
2		Windshield wiper arm	6042-3016020	1
3		Wiper brush	6042-3016030	1
4		Shield		1
5		Nut		1
6		Nut		3
7		Gasket spring		3
8		Gasket		3
9		Bolt		3
10		Wiper Assembly (Include 1-9)	6041-3016000	1

9-6 Accelerator Assembly, DC Converter



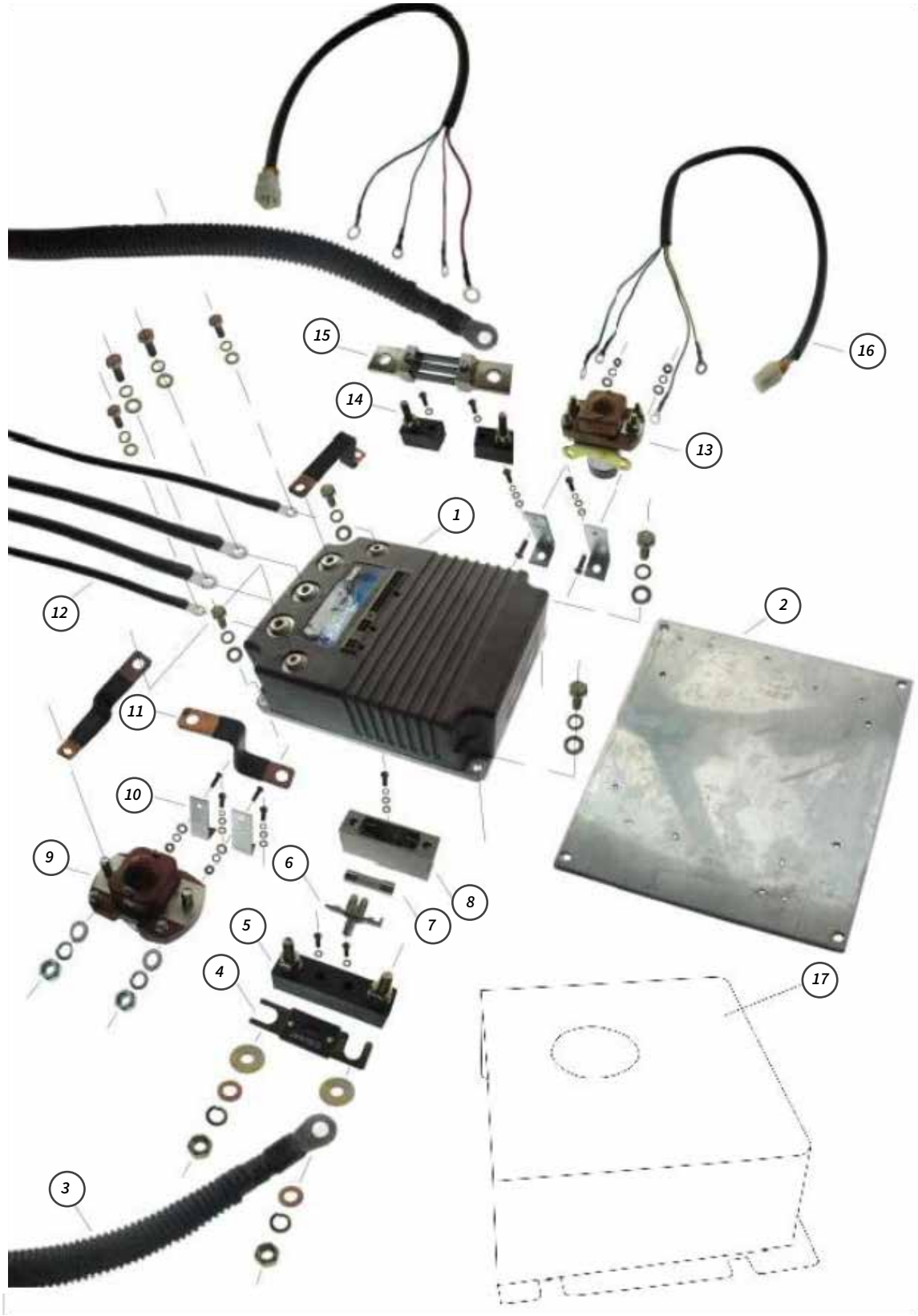
Item No.	STAR EV Part No.	Description	MPN	Qty
1	2AC000	Accelerator Assembly (including pedal)	1007100-005	1
2		DC converter	3048100-004	1
3		To 48V out		1
4		To 12V in		1

9-7 Other Electric Equipment



Item No.	STAR EV Part No.	Description	MPN	Qty
1		Loud speaker	8510010-004	2
2	2SW030	Combination switch	3024100-002	1
3	2SW000	Backup buzzer	3211010-001	1
4	2SW080	Electric horn	3004010-001	1
5		Fuse box		1
6		Antenna	8503010-001	1
7	2RL040	Electronic flasher	3129010-002	1
8		Waterproof cover	8510011-004	2

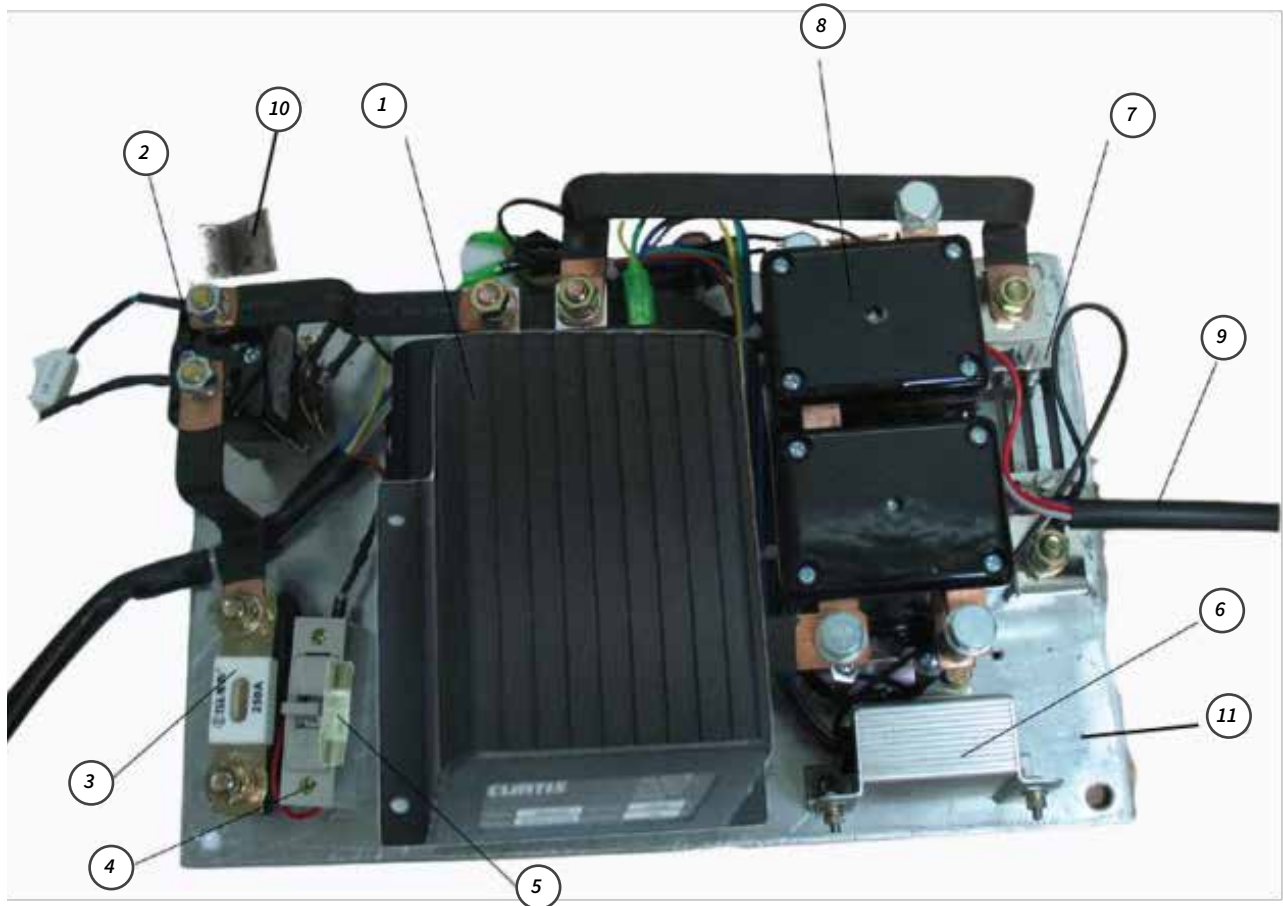
9-8a Electronic Controller 1268 Assembly



Item No.	STAR EV Part No.	Description	MPN	Qty
1	2CN090	Controller 1268-5403	1005100-007	1
2		Heat diffusion plate	6042-1005011B	1

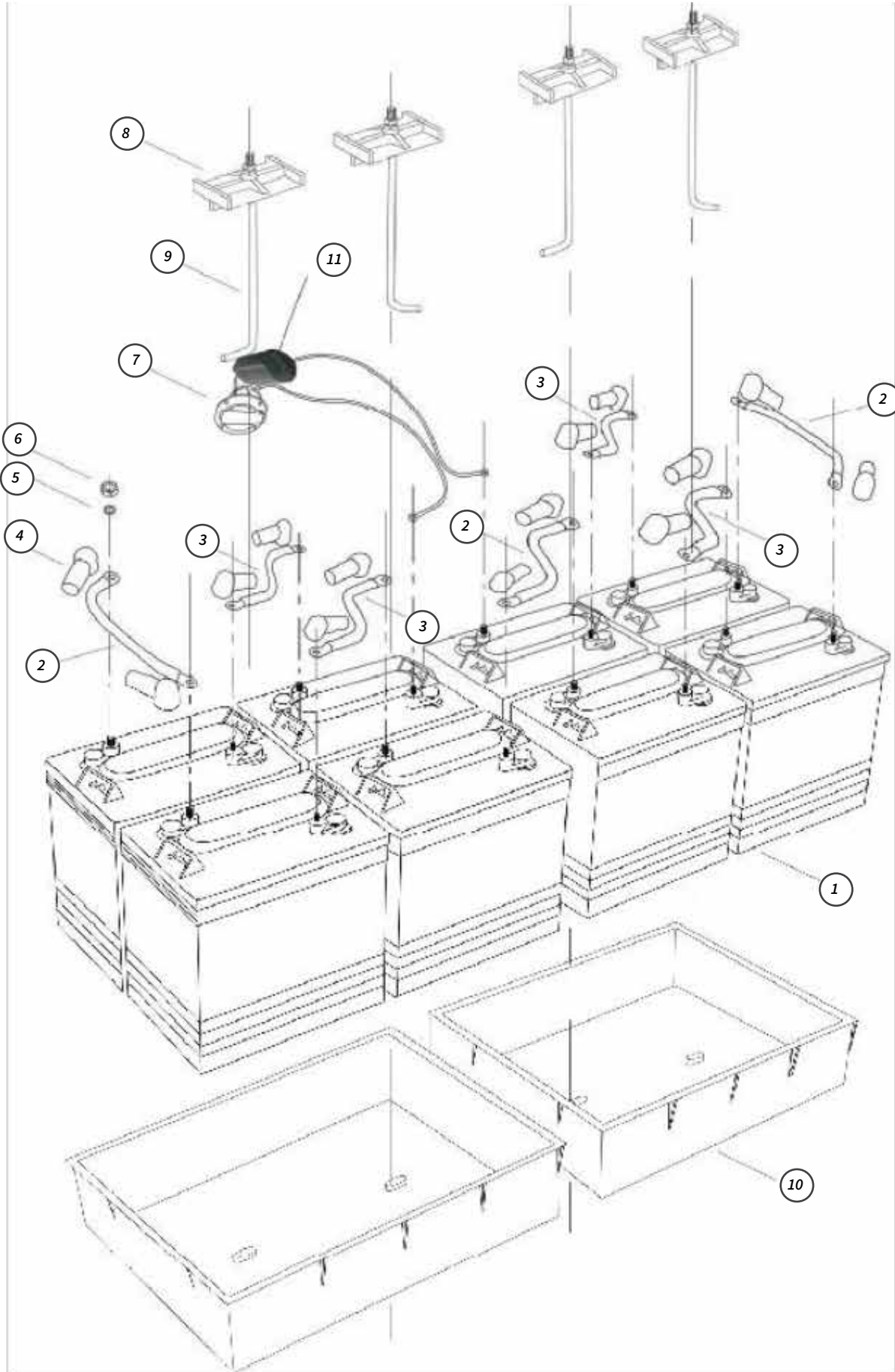
3		Connect wire 352×2700mm	3313020-004	2
4	2FU130	Main fuse	F26-ANL-425A	1
5	2FU122	Main fuse socket		1
6		Fuse buckle		1
7	2FU120	Fuse 20A	F26-R005-20A-01	1
8	2FU121	20A Fuse socket	1005420-001	1
9	2SO020	Main contactor	MZJ-200A/004	1
10		Main contactor bracket		1
11		Copper bar		3
12		Connect wire 352×800mm	3313020-002	4
14		Shunt socket		2
15		Shunt	1005310-002	1
16		Controller wire	3302000-048	1
17		Dustproof cover	5108011-022	1

9-8b Electronic Controller 1204



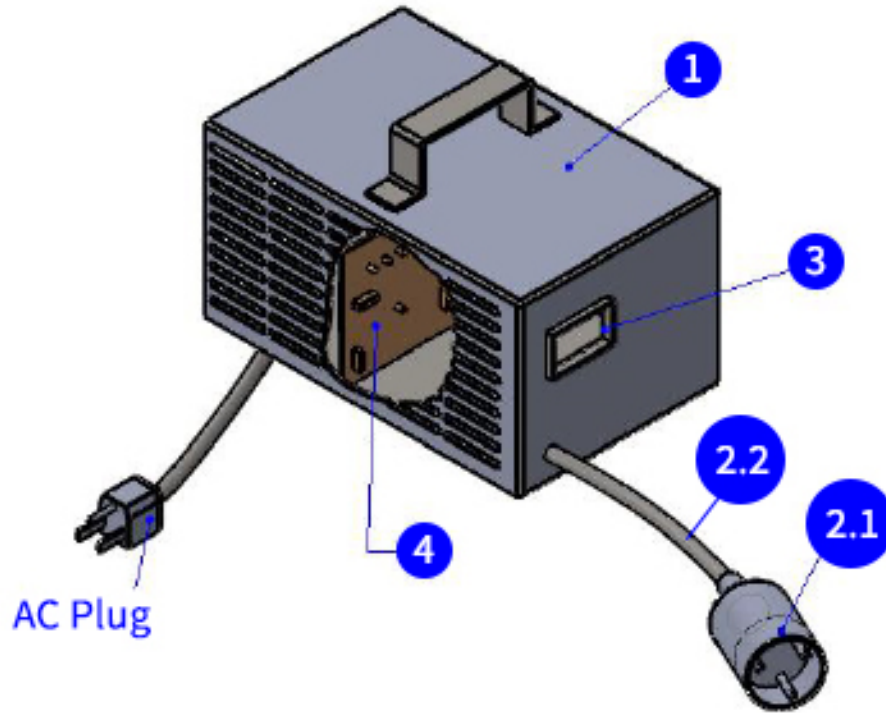
Item No.	STAR EV Part No.	Description	MPN	Qty
1		Controller 1204	1005100-014	1
2		Solenoid	1005200-004	1
3	2FU130	Main fuse 250A	1005510-004	1
4	2FU121	Accessory fuse holder	1005420-001	1
5	2FU150	Accessory fuse 10A	1005410-001	1
6		Charger protector	TC611A-48V	1
7		Shunt	1005310-002	1
8		Contactor for direction	1005030-002	1
9		Controller wire harness	3302000-047	1
10		Solenoid bracket		1
11		Heat diffusion plate	1005021-018	1

9-9 Batteries and Connect Wire



Item No.	STAR EV Part No.	Description	MPN	Qty
1		Battery 105	1101100-002	8
2		Connect wire	6082-3018006	3
3		Connect wire	6082-3018005	4
4		Binding post jacket		12
5		Gasket spring M8		16
6		British system nut 5/16-8	FB01009	16
7		Charger harness assembly	2025-3022015	1
8	2BT022	Battery impact block	1101012-001	4
9	2BT041	Battery dead lever	1101011-002	2
10		Battery box	6082-5102072-001	2

9-10 DPI Charger



Item No.	Star EV Part No.	Description	Remark	Qty
1	2CH048	DPI 48 V charger, 120 V		1
	2CH481	DPI 48 V charger, 220 V	220 V, 50 Hz	
2.1	2PG148	DPI male plug ONLY, black, Gen. IV		1
2.1 + 2.2	2CR048	9 ft DC 48 V output cord with black plug, Gen. IV		1
	2CR480	9 ft DC 48 V output cord with black plug, Gen. III and earlier		
3	2MT240	DPI charger AMP meter		1
4	2BI480	DPI control board, 48 V, 110 V	110 V, 60 Hz	1
	2BI481	DPI control board, 48 V, 220 V	220 V, 50 Hz	
	2BI148	DPI board kit for 48 V charger, no relay, Gen. IV		
AC Plug	2CR120	120 V AC input cord for Gen. IV charger	IPCJ0038-L001830	1
	2CR230	230 V AC input cord for Gen. IV charger	IPCJ0039-L001830	