

 Search with **Ctrl-F** (PC) or **Command-F** (Mac) to quickly find what you're looking for.



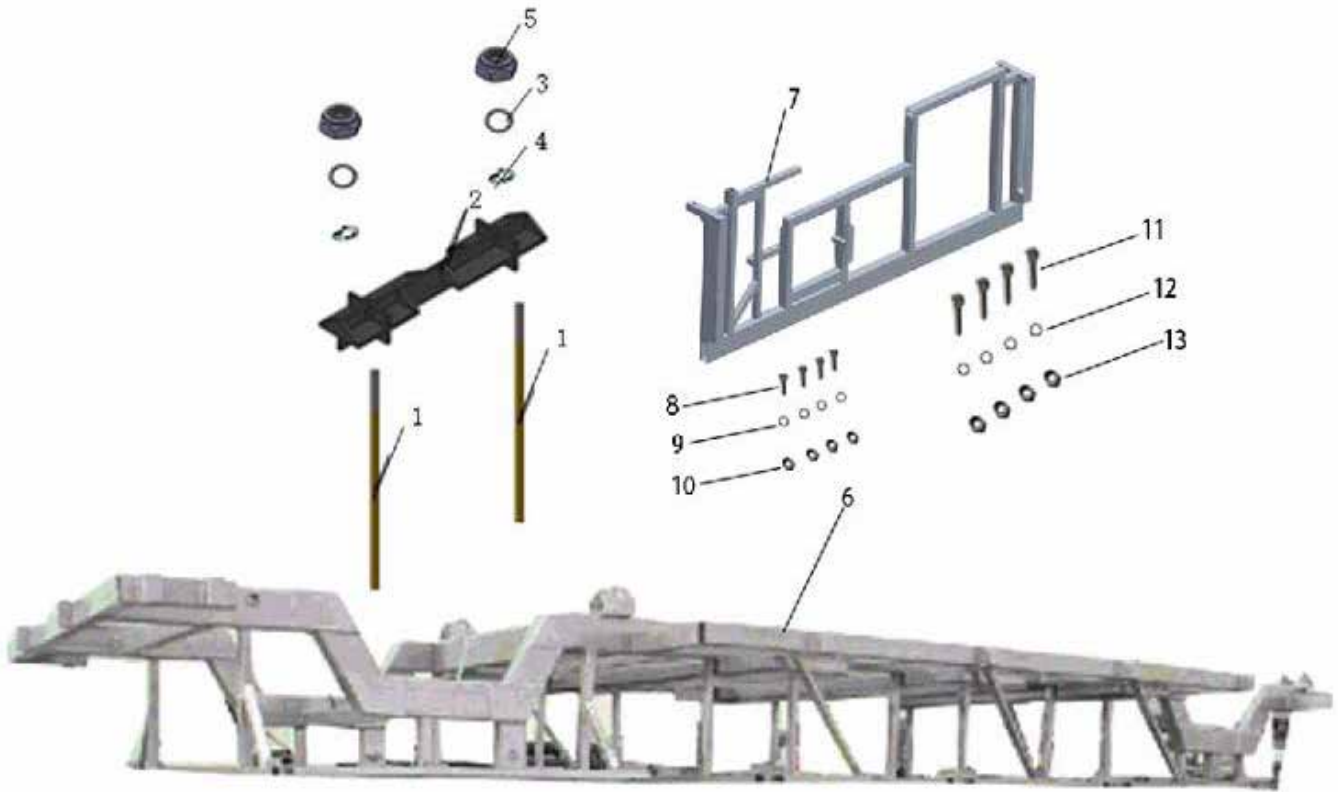
M-Series Parts Manual

BN72-23-AC-ADS-M

Contents

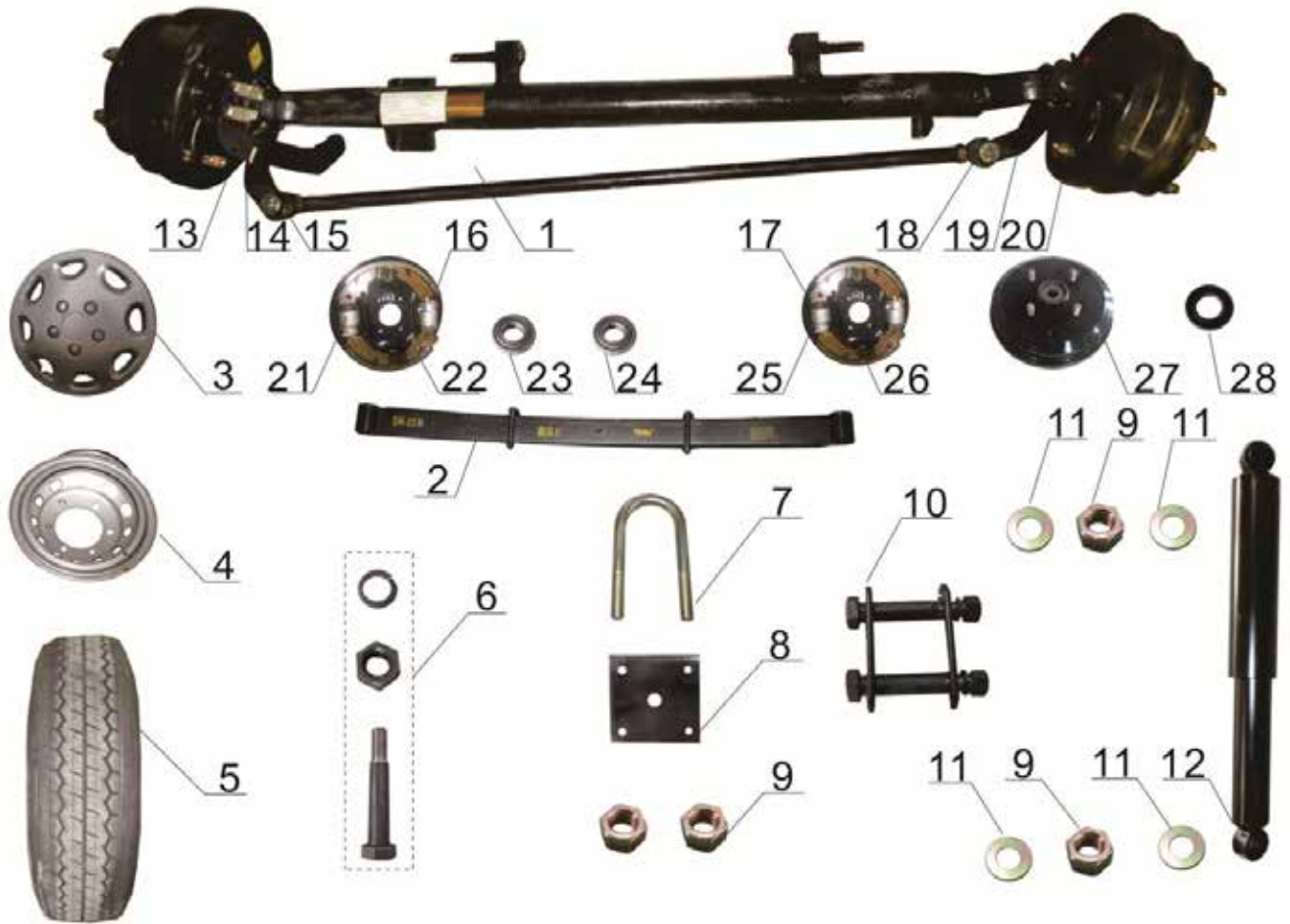
1	Chassis and Battery Installing Accessories	3
2	Front Axle Accessories	4
3	Rear Axle Accessories	6
4	Steering System Assembly	8
5	Brake System	10
6	Front Body Assembly	12
7	Roof and Upright Install Accessories	14
8	Driver Seat Accessories	16
9	Second, Third, and Fourth Row Seat Accessories	18
10	Fifth and Sixth Row Seat Accessories	19
11	Rear Seat Accessories	21
12	Electric Accessories	23
13	DPI Charger	29

1 Chassis and Battery Installing Accessories



Item No.	STAR EV Part No.	Description	MPN	Qty
1		Battery tighten screw	2200200002B00	12
2		Battery pressing plate	2300400001C00	6
3		Flat washer	2200700023000	12
4		Spring washer	2200701011000	12
5		Plain hex nut	2200400012000	12
6		Chassis	2207400029A20	1
7		Dashboard support	2207200713A30	1
8		Hexagon bolt	2200100066000	4
9		Flat washer	2200700021000	8
10		Nonmetal insert hexagon lock nut	2200401003000	4
11		Hexagon bolt	2200100079000	4
12		Flat washer	2200700030000	8
13		Nonmetal insert hexagon lock nut	2200401013000	

2 Front Axle Accessories



18 19 20

Item No.	STAR EV Part No.	Description	MPN	Qty
1	2AX023	Support welding assembly for front axle and absorber	2902700476A10	1
2	2LE400	Front leaf spring assembly	2204010032A10	2
3	2CC145	Wheel cap	2302400014000	2
4	2RM916	Steel rim	2205100064000	2
5	2TR265	Tire 195/70R 15C	2301400096000	2

6	2LF055	Plate spring fixing bolt	2200104028A20	2
7		Front leaf spring U type bolt	2200104024A00	4
8		Fixing plate for front leaf spring U type bolt	2207300219A00	2
9		Hex nut	2200400006000	12
10		Plate spring lifting lug assembly	2208605026A10	2
11		Flat washer	2200700034000	8
12	2SK271	Absorber assembly	2205300025000	2
13	2ST815	Steering rocking arm	2204700056000	1
14	2ST810	Driver side steering knuckle arm	2204700057000	1
15	2TI351	Ball pin assembly, right threaded	2202901003000	1
16	2BP020	Front brake assembly, driver side	2205500081000	1
17	2BP021	Front brake assembly, passenger side	2205500082000	1
18	2TI352	Ball pin assembly, left threaded	2205700005000	1
19	2ST811	Passenger side steering knuckle arm	2204700058000	1
20	2CY604	Front driver side wheel cylinder junction block	2207800034000	2
	2CY605	Front passenger side wheel cylinder junction black	2207800035000	2
21	2CY603	Front left wheel cylinder	2204300022000	2
22	2SH126	Front brake shoe, long pad	2204500029000	1
23	2BE201	Tapered roller bearing, 30207	2201200074000	2
24	2BE202	Tapered roller bearing, 30205	2201200073000	2
25	2CY603	Front right wheel cylinder	2204300032000	2
26	2SH125	Front brake shoe, short pad	2204500030000	1
27		Front wheel hub	2205200031000	2
28-A	2OL204	Front outer wheel oil seal (Dimensions: 45*72*12)	2301300025000	2
28-B	2OL201	Front inner wheel oil seal (Dimensions: 60*82*12)	2301300026000	2

3 Rear Axle Accessories

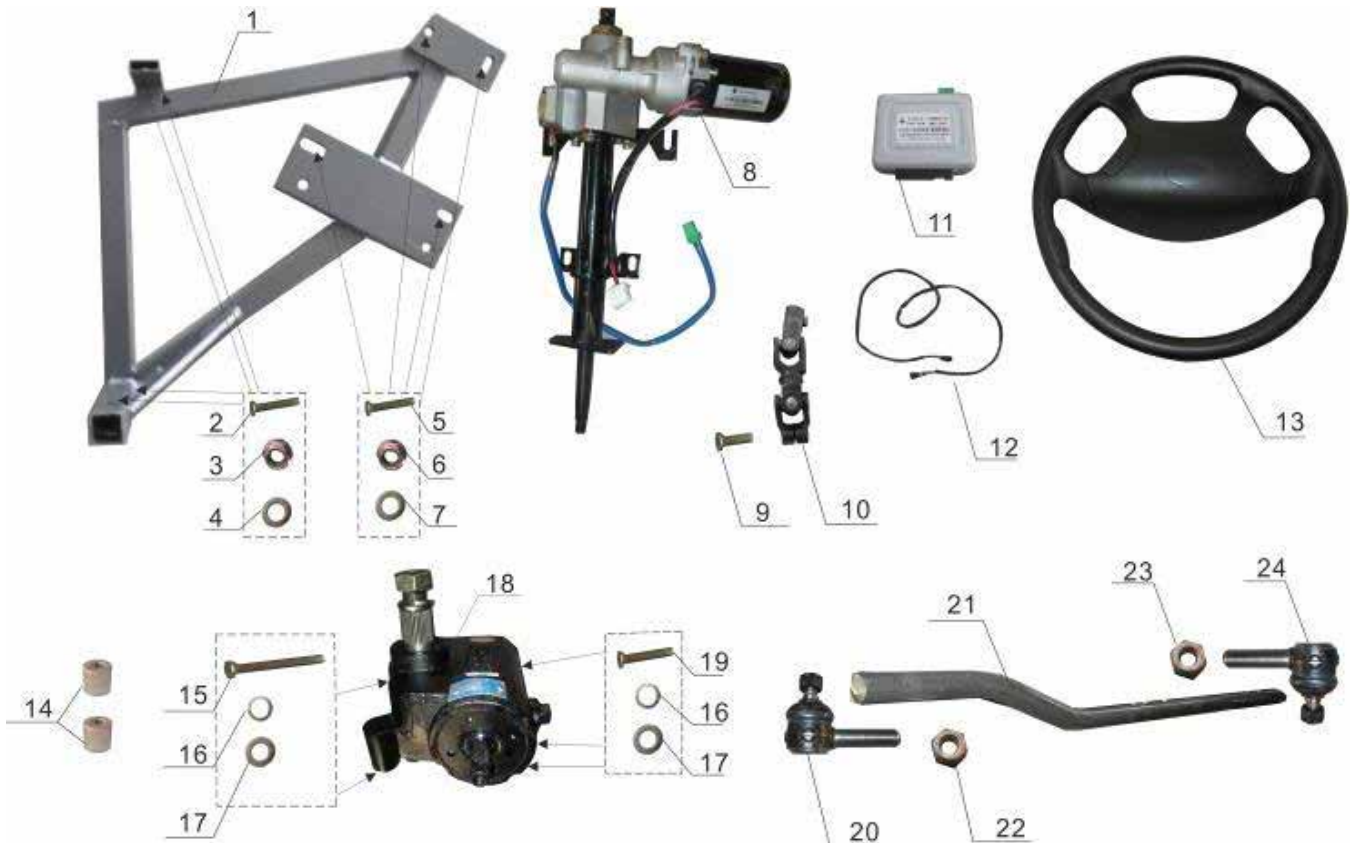
Drivers Side



Item No.	STAR EV Part No.	Description	MPN	Qty
1	2RE165	Support welding assembly for rear axle and absorber	2902700477A10	1
2	2LF051	Rear leaf spring assembly	2204010031A10	2
3	2CC145	Wheel cap	2302400014000	2
4	2RM916	Steel rim	2205100064000	2
5	2TR265	Tire 195/70R 15C	2301400096000	2
6		Plate spring fixing bolt	2200104028A20	2
7		Rear leaf spring U type bolt	2200104008A00	4
8		Fixing plate for rear leaf spring U type bolt	2200104029A00	2
9		Hex nut	2200400006000	12
10		Plate spring lifting lug assembly	2208605026A10	2
11		Flat washer	2200700034000	8
12	2SK271	Absorber assembly	2205300025000	2
13	2OL202	Front half axle oil seal (Dimensions: 32*43*10)	2301300048000	2
14	2DM201	Rear brake drum	2205100083000	2
15	2BP022	Left rear brake assembly	2205500083000	1

16	2AX405	Axle shaft right	2201803021000	1
17	2AX406	Axle shaft left	2201803022000	1
18	2BP023	Right rear brake assembly	2205500047000	1
19	2CY603	Rear left wheel cylinder	2204300032000	1
20	2SH121	Rear brake shoe, long pad	2204500031000	1
21	2CB054	Rear hand brake line	2206900058000	1
22	2BE200	Tapered roller bearing, 32010	2201200136000	4
23	2SH122	Rear brake shoe, short pad	2204500032000	1
24	2CY603	Rear right wheel cylinder	2204300032000	1
25	2RR255	Reduction gearbox	2204100030000	1

4 Steering System Assembly



Item No.	STAR EV Part No.	Description	MPN	Qty
1		Fixing frame assembly for power steering system	2207200777A10	1
2		Hexagon bolt	2200100099000	4
3		Nonmetal insert hexagon lock nut	2200401003000	4
4		Flat washer	2200700021000	4
5		Hexagon bolt	2200100080000	4
6		Nonmetal insert hexagon lock nut	2200401008000	4
7		Flat washer	2200700080000	4
8	2ST566	Electric power steering upper shaft and mounting plate welding assembly	2201801037A10	1
9		Hexagon bolt	2200100080000	1
10	2ST567	Steering lower shaft assembly restructuring	2201801041A10	1
11	2ST568	Steering controller	2101700063000	1
12	2ST569	Power steering connecting cable	2901711029000	1
13		Steering wheel assembly	2207700018000	1
14	2ST564	Steering gear box shaft sleeve	2208400331A00	2
15		Hexagon bolt	2200100027000	2
16		Spring washer	2200701015000	5
17		Flat washer	2200700030000	5
18	2ST565	Steering gear box assembly	2207800005A00	1
19		Hexagon bolt	2200100077000	3

20	2TI351	Steering joint assembly, right threaded	2202901003000	1
21	2TI350	Steering track rod	2204800044A00	1
22	2TI353	Hex nut for 2TI351, right threaded	2200400028000	1
23	2TI354	Hex nut for TI352, left threaded	2200400029000	1
24	2TI352	Steering joint assembly, left threaded	2205700005000	1

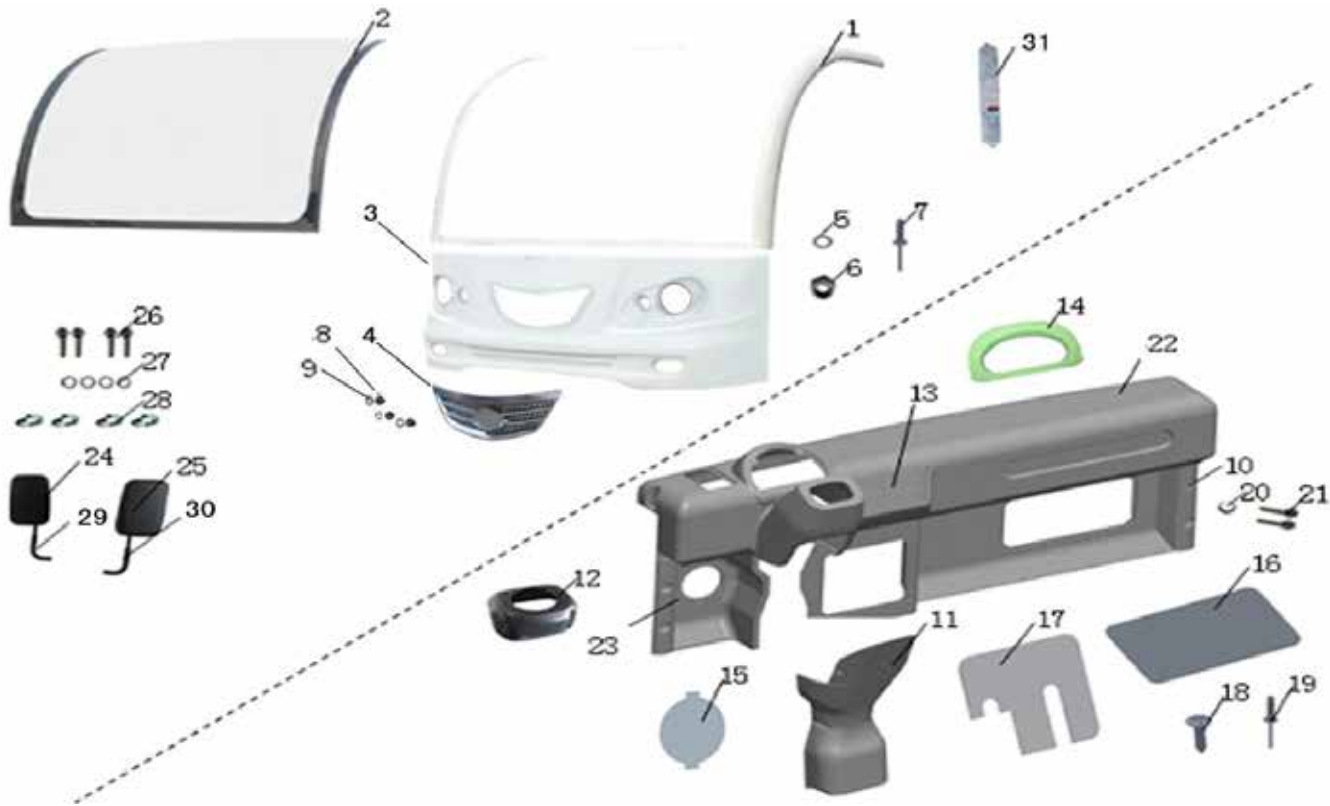
5 Brake System



Item No.	STAR EV Part No.	Description	MPN	Qty
1		Hexagon bolt	2200100166000	2
2	2TB161	Oil cup	2303300001000	1
3		Oil cup clamp	2207901001000	1
4	2TB235, 2TB029	Oil resistance tube	2300500002000	2
5		Clamp	2207901008000	4
6		Cross recess pan head screw	2200304007000	1
7		Oil cup mounting plate	2207300073B00	1
8		Cross recessed pan head tapping screw	2200500003000	4
9	2TB190	Brake pipe 3	2206700015000	3
10	2TB231	Brake pipe 8	2206700011000	1
11	2TB232	Brake pipe 13	2206700017000	2
12	2TB233	Brake pipe 23	2206700059000	1
13	2TB234	Soft oil tube assembly	2206700037000	3
14	2TB241	Five-way joint valve	2201600004000	1
15		Hexagon bolt	2200100229000	1
16		Flat washer	2200700014000	1

17		Nonmetal insert hexagon lock nut	2200401006000	1
18	2TB242	Tee joint valve	2201706001000	1
19		Clamp	2207901008000	6
20		Nonmetal insert hexagon lock nut	2200401010000	12
21	2MC058	Brake master cylinder	2206300002000	1
22	2MC041	Brake master cylinder adjustable push rod	2204900041000	1
23	2HD200	Pin roll, clevis pin 8x20	2200902002000	1
24	2HD210	Cotter pin, 3.2x22	2200900001000	1
25		Hexagon bolt	2200100075000	2
26		Flat washer	2200700076000	2
27		Spring washer	2200701014000	2
28		Hexagon bolt	2200100029000	4
29		Plain nut hexagon	2200400009000	2
30		Nonmetal insert hexagon lock nut	2200401008000	4
31		Hexagon thin nut	2200400024000	5
32		Brake pedal welded	2206200098A10	1
33		Turn shaft bushing	2202100017A00	2
34	2BM408	Turn shaft shaft sleeve	2202100033A00	1
35	2PD040	Brake pedal rubber sleeve	2301900023000	1
36	2BM405	Oil pump return spring	2201100001B00	1
37		Hexagon bolt	2200100143000	1
38		Flat washer	2200700030000	1
39		Nonmetal insert hexagon lock nut	2200401013000	1
40		Hexagon Bolt	2200100010000	2
41		Nonmetal insert hexagon lock nut	2200401003000	2
42	2PB140	Handbrake knife	2202800001A00	1
43		Hexagon bolt	2200100029000	2
44		Flat washer	2200700080000	2
45		Nonmetal insert hexagon lock nut	2200401024000	2
46	2CB053	Parking brake main wire rope	2206901018A00	1
47	2HD200	Clevis pin	2200902002000	1
48	2HD211	Cotter pin, 3x30	2200900003000	1
49		Brake pedal bracket	2207200714000	1

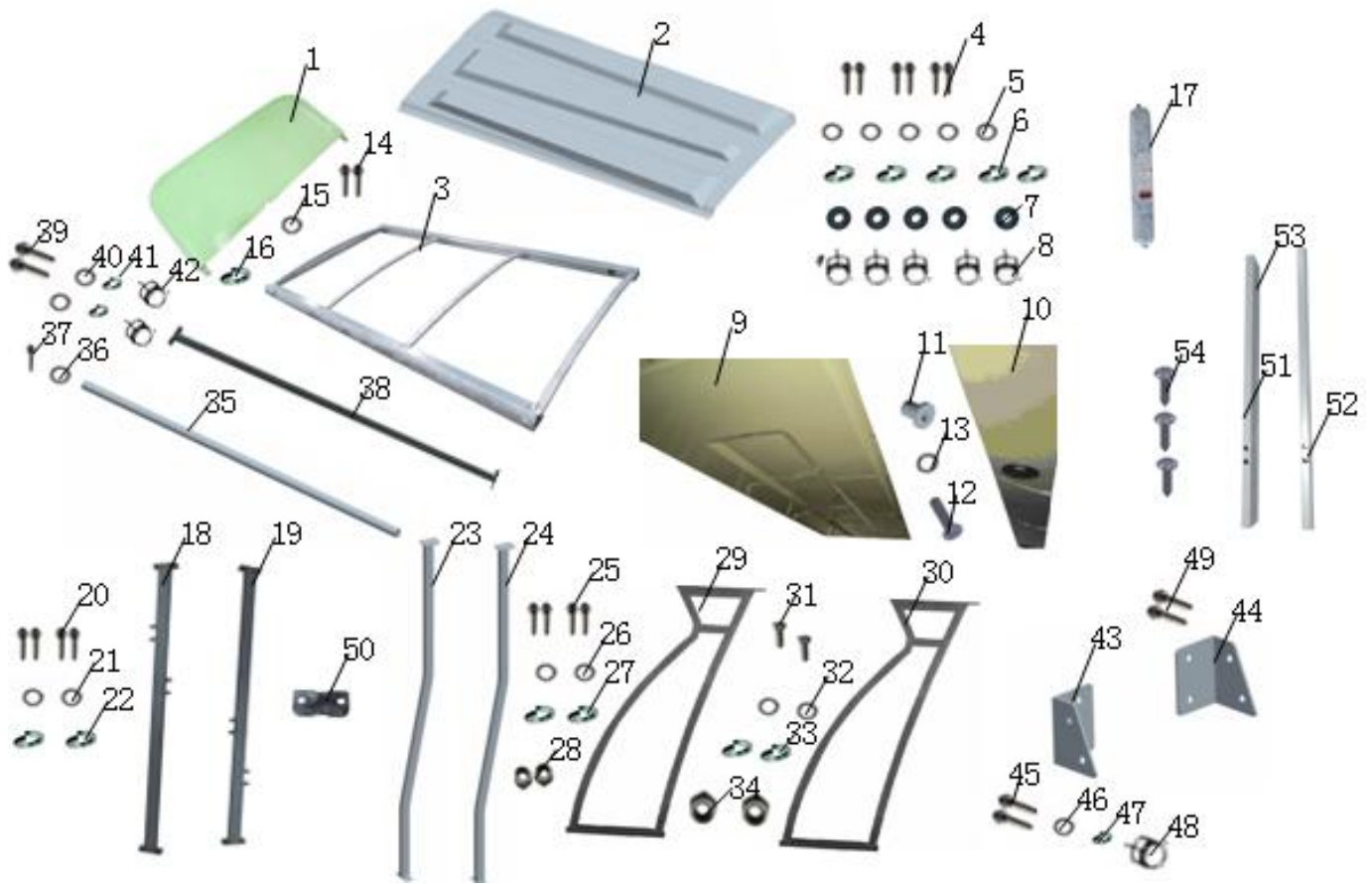
6 Front Body Assembly



Item No.	STAR EV Part No.	Description	MPN	Qty
1		Front windshield frame	2401001200A00	1
2	2WS315	Windshield	2400700017A00	1
3	2BO460	Front Body	2905448013000	1
4	2BO452	Grill	2301000001000	1
5		Flat washer	2200700028000	2
6		Hex nut	2200400009000	2
7		Open flat round head blind rivets	2201000006000	10
8		Nonmetal insert hexagon lock nut	2200401016000	3
9		Flat washer	2200700009000	3
10		Baffle	2401010708A00	1
11	2DB592	Steering shaft cover	2401022103A10	1
12		Steering column cover box	2300901004000	1
13		Dashboard cover plate	2300400151A10	1
14	2DB620	Dash cover plate	2300400800000	1
15		Dashboard maintenance cover plate left	2205001544A00	1
16		Dashboard maintenance cover plate right	2205001545A00	1
17		Cover plate for brake and accelerator	2207300570A10	1
18		Cross recessed pan head tapping screw	2200500005000	30
19		Open flat round head blind rivets	2201000006000	20
20		Larger flat washers	2200700017000	8
21		Hexagon socket button head screws	2200301013000	8
22		Dashboard	2400900201A00	1

23		Baffle right	2401001507A00	1
24	2MR281	Rearview mirror left	2207600018000	1
25	2MR291	Rearview mirror right	2207600019000	1
26		Hexagon socket button head screws	2200301022000	4
27		Flat washer	2200700021000	4
28		Spring washer	2200701012000	4
29	2MR280	Rearview mirror frame left	2207200084A00	1
30	2MR290	Rearview mirror frame right	2207200085A00	1
31	2WS900	Silicon sealant	9604001018000	2

7 Roof and Upright Install Accessories



Item No.	STAR EV Part No.	Description	MPN	Qty
1		Rear cover for roof	2401001901A00	1
2		Fiberglass roof	2400300501A10	1
3		Roof frame welding	2207200715A00	1
4		Hexagon socket button head screws	2200301013000	12
5		Flat washer	2200700017000	12
6		Spring washer	2200701010000	12
7		Rubber washer	2301908004000	12
8		Cap nut	2200402003000	12
9		Center inner panel for roof	2401001701A00	1
10		Side inner panel for roof	2401001801A00	2
11		Countersunk head riveted nuts	2200407003000	32
12		Cross recess pan head screw	2200304010000	32
13		Larger washer	2200700017000	44
14		Hexagon socket button head screws	2200301023000	2
15		Flat washer	2200700072000	2
16		Spring washer	2200701012000	2
17		Silicon sealant	9604001018000	2
18		B-column left	2208300033A00	1
19		B-column right	2208300034A00	1
20		Hexagon socket button head screws	2200301020000	8

21		Flat washer	2200700021000	8
22		Spring washer	2200701012000	8
23		C-column left	2208300035A00	1
24		C-column right	2208300036A00	1
25		Hexagon socket button head screws	2200301022000	4
26		Flat washer	2200700025000	8
27		Spring washer	2200701012000	4
28		Nonmetal insert hexagon lock nut	2200401003000	8
29		D-column left	2208300037A10	1
30		D-column right	2208300038A10	1
31		Hexagon bolt	2200100060000	6
32		Flat washer	2200700028000	12
33		Spring washer	2200701013000	6
34		Hex nut	2200400009000	6
35		Column tie rod	2204800022A00	1
36		Hexagon bolt	2200100162000	2
37		Flat washer	2200700021000	2
38		C-column connecting pipe	2208400159A00	2
39		Hexagon socket button head screws	2200301008000	8
40		Flat washer	2200700028000	8
41		Spring washer	2200701012000	8
42		Cap nut	2200402001000	8
43		D-column tie plate left	2207300560A00	1
44		D-column tie plate right	2207300561A00	1
45		Hexagon socket button head screws	2200301008000	4
46		Flat washer	2200700028000	8
47		Spring washer	2200701012000	8
48		Cap nut	2200402001000	8
49		Hexagon socket button head screws	2200301018000	4
50		B-column rubber washer	2301903008B00	4
51		B-column proximate matter male left	2208200094A10	1
52		B-column proximate matter male right	2208200095A10	1
53		B-column proximate matter female	2208200096A00	2
54		Cross recess pan head screw	2200304023000	36

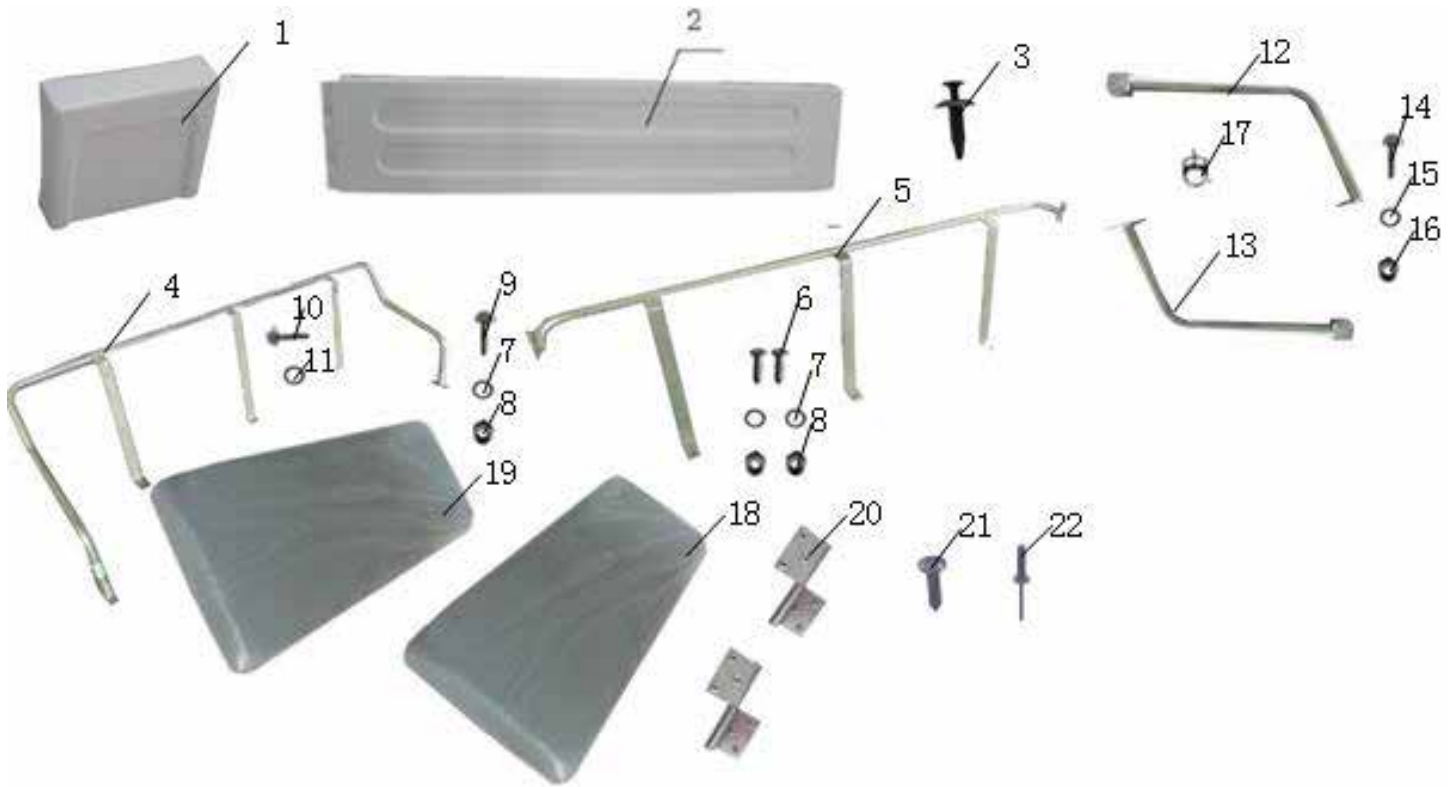
8 Driver Seat Accessories



Item No.	STAR EV Part No.	Description	MPN	Qty
1		1st row seat bucket front	2400500801A20	1
2		1st row seat bucket side	2400500806A10	2
3		1st row seat bucket rear	2400500807A10	1
4		Front seat bucket cover	2300407251A10	1
5	2HD020	Closed rotating rivet	2301700011000	8
6		EVA	2600704003000	10m
7	2CS393	Stainless steel seat armrest for driver seat	2202600096A10	2
8		Hexagon socket button head screws	2200301022000	8
9		Flat washer	2200700021000	8
10		Nonmetal insert hexagon lock nut	2200401003000	4
11	2CS394	Stainless steel backrest frame for driver seat	2207200774A10	1
12		Cross recessed countersunk head screw	2200302018000	3
13		Flat washer	2200700021000	3
14		Nonmetal insert hexagon lock nut	2200401003000	3
15		Hexagon socket button head screws	2200301022000	10
16		Flat washer	2200700021000	10
17	2CS406	Backrest Cushion for 23P M-Series	2200009360000	4
18	2CS405	Bottom Cushion for 23P M-Series	2200009359000	6
19	2HG040	Hinges	2202200001000	2
20		Cross recessed pan head tapping screw	2200500005000	6
21		Open flat round head blind rivets	2201000001000	6
22		Backrest frame fixing plate	2207300604A00	1
23		Cross recessed countersunk head screw	2200302018000	3

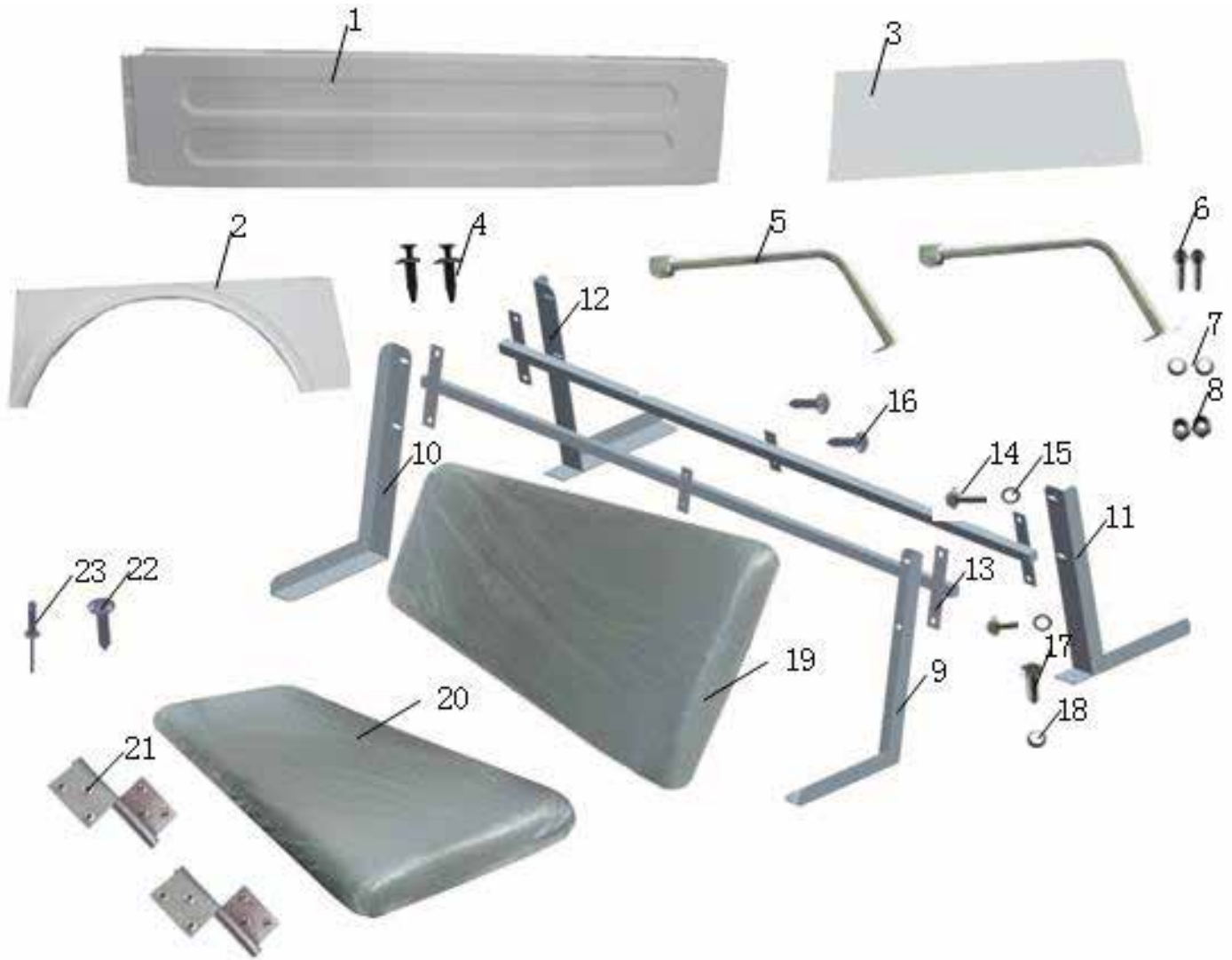
24		Flat washer	2200700021000	3
25		Nonmetal insert hexagon lock nut	2200401003000	3
26	2SB040	Seat belt	2501304017000	18

9 Second, Third, and Fourth Row Seat Accessories



Item No.	STAR EV Part No.	Description	MPN	Qty
1		Middle row seat bucket side	2400500805A10	6
2		Middle row seat bucket front	2400500804A10	6
3	2HD020	Closed rotating rivet	2301700011000	24
4		Stainless steel rail steel (second & fourth row)	2202600067A00	2
5		Third row back fixed bracket stainless steel	2207200775A00	1
6		Cross recessed countersunk head screw	2200302018000	9
7		Flat washer	2200700021000	21
8		Nonmetal insert hexagon lock nut	2200401003000	21
9		Hexagon socket button head screws	2200301021000	12
10		Hexagon socket button head screws	2200301023000	18
11		Flat washer	2200700021000	18
12	2CS387	Stainless steel seat armrest (third row)	2501503036A20	2
13	2CS388	Stainless steel seat armrest (sixth row)	2501503037A10	2
14		Hexagon socket button head screws	2200301021000	12
15		Flat washer	2200700021000	12
16		Nonmetal insert hexagon lock nut	2200401003000	8
17		Cover nut	2200402001000	8
18	2CS405	Bottom Cushion for 23P M-Series	2200009359000	6
19	2CS406	Backrest Cushion for 23P M-Series	2200009360000	4
20	2HG040	Hinges	2202200001000	6
21		Cross recessed countersunk head screw	2200302021000	18
22		Open flat round head blind rivets	2201000001000	18

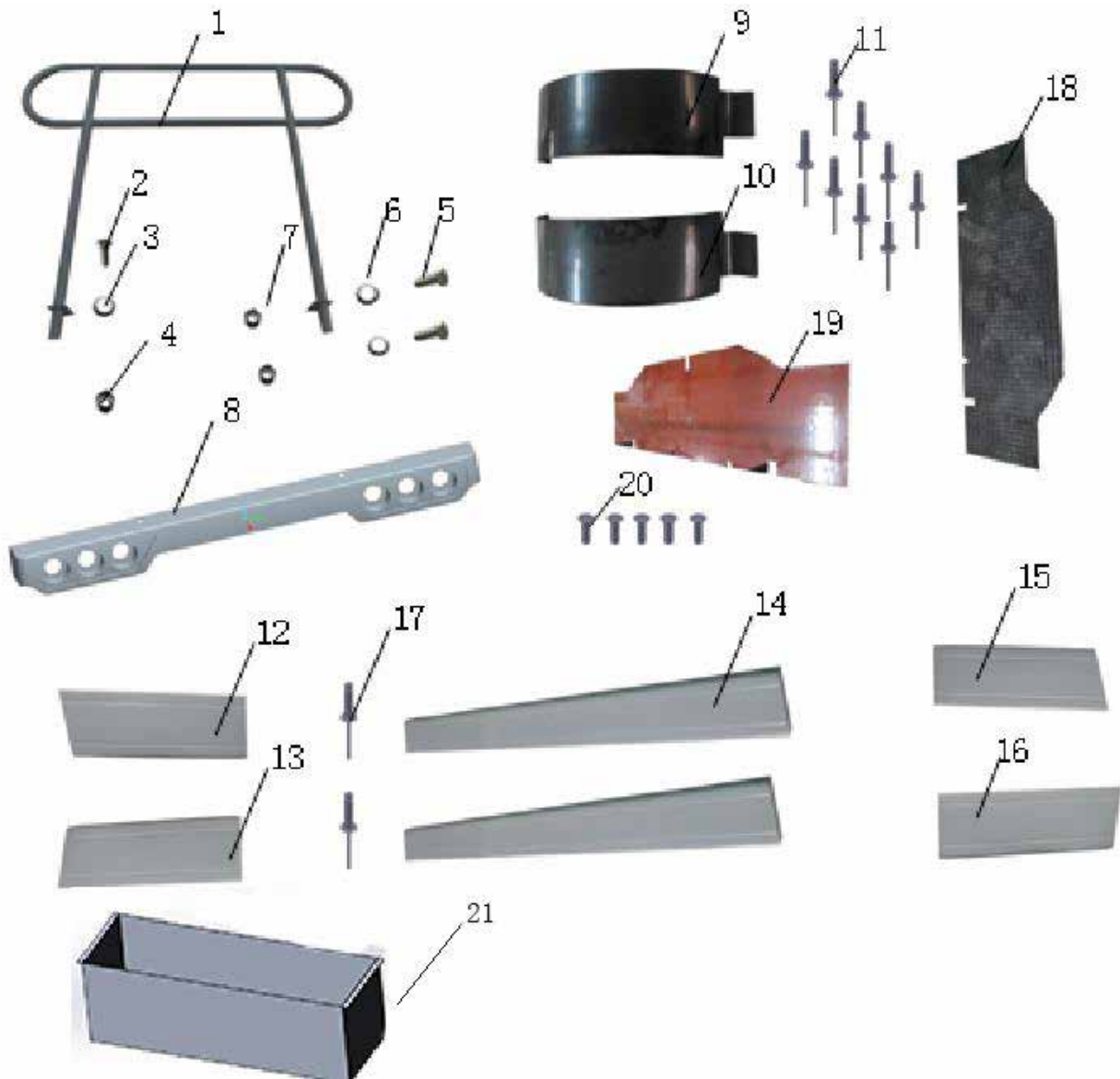
10 Fifth and Sixth Row Seat Accessories



Item No.	STAR EV Part No.	Description	MPN	Qty
1		Middle seat bucket of positive	2400500804A10	2
2		Five or six row seat bucket side	2400503801A10	2
3		After the bucket seat cover plate	2300407255A00	1
4	2HD020	silent rotating rivet	2301700011000	8
5	2CS388	Stainless steel seat armrest (sixth row)	2501503037A10	2
6		Hexagon socket button head screws	2200301021000	4
7		Flat washer	2200700021000	4
8		Nonmetal insert hexagon lock nut	2200401003000	4
9		Fifth row of stainless steel back of a chair (left)	2202600068A00	1
10		Fifth row of stainless steel back of a chair (right)	2202600072A00	1
11		Sixth row of stainless steel back of a chair (left)	2202600069A10	1
12		six rows of stainless steel back of a chair (right)	2202600073A10	1
13		Fourth/fifth/sixth rows back brace	2207200104A00	2
14		Allen flat round head screw	2200301022000	8
15		Flat washer	2200700021000	8

16		Cross trough pan head self-drilling screw	2200500005000	4
17		Hexagon bolt	2200100097000	2
18		Flat washer	2200700021000	2
19	2CS407	Backrest Cushion for Rear Row & Rear Facing 23P M-Series	2200009361000	2
20	2CS405	Bottom Cushion for 23P M-Series	2200009359000	6
21	2HG040	Hinges	2202200001000	6
22		Cross trough pan head self-drilling screw	2200500005000	18
23		Mushroom head break mandrel blind rivet	2201000001000	18

11 Rear Seat Accessories



Item No.	STAR EV Part No.	Description	MPN	Qty
1		After the stainless steel handrails frame assembly	2202600071A00	1
2		Outside the hexagon bolt	2200100049000	2
3		Flat washer	2200700076000	2
4		Nonmetal insert hexagon lock nut	2200401011000	2
5		Outside the hexagon bolt	1205201005000	4
6		Flat washer	2200700021000	8
7		Nonmetal insert hexagon lock nut	2200401003000	4
8	2BR585	Rear bumper	2301800018A10	1
9		Former mud (left)	2302304600A00	2
10		Former mud (right)	2302304800A00	2
11		Open flat round head blind rivets	2201000017000	20
12		Guardrail profile (front)	2208200065A10	1
13		Guardrail profile (front)	2208200066A10	1

14	24P464	Guardrail profile (middle)	2208200067A00	2
15		Guardrail profile (rear)	2208200069A10	1
16		Guardrail profile (rear)	2208200070A00	1
17		Open flat round head blind rivets	2201000006000	28
18		Foot skin	2302600022000	3.5m
19		Bamboo veneer	2300401001000	3
20		Cross recessed countersunk head self-drilling tapping screw	2200300068000	90
21		Storage box		1

12 Electric Accessories



Item No.	STAR EV Part No.	Description	MPN	Qty
1		DT106E	2100101021000	24
2	2BT402	Terminal protecting cap	2301902002000	24
3	2BT404	Terminal protecting cap	2301902001000	24
4	2MO355	AC traction motor	2101903008000	1
5		Hexagon bolt	2200100104000	6
6		Flat washer	2200700032000	6
7		Nonmetal insert hexagon lock nut	2200401012000	6
8		Controller assembly	2901501005000	1
9	2MT261	Current sensor	2102700002000	1
10		Hexagon bolt	2200100144000	4
11		Flat washer	2200700021000	4
12		Nonmetal insert hexagon lock nut	2200401003000	4
13	2CN417	Controller shield	2209000020000	1
14		Trough pan head screws	1205211016000	4
15	2SW430	Three selector switch	2101400046000	1
16	2SW290	Ignition switch	2101500006000	1
16-A	2KY290	Blank key for unique ignition	2202003003000	1
17	2MT285	Combination instrument	2100200028000	1
18		Cross recessed pan head tapping screw	2200500005000	4

19		Cross recessed screw with oval head	2200305003000	4
20		Flat washer	2200700088000	4
21		Nonmetal insert hexagon lock nut	2200401001000	4
22	2SW210	Single tone electric horn	2101600001000	1
23		Outside hexagonal fundation for self drilling screws	2200307005000	1
24	2RL060	Flasher	2101603003000	1
25		Trough pan head screws	2200304001000	1
26	2SW340	Reversing buzzer components	2101602011000	1
27		Outside hexagonal fundation for self drilling screws	2200307005000	1
29	2WP080	Wiper motor	2101902057000	1
	2WP081	Wiper blade	2303600008000	1
	2WP082	Wiper double arm (with spray nozzle and pipe)	2303600013000	1
30	2AC300	Accelerator components	2902800015B00	1
31		Hexagon bolt	2200100080000	2
32		Flat washer	2200700023000	2
33		Nonmetal insert hexagon lock nut	2200401008000	2
34	2SW540	Brake lamp switch components	2101400002000	1
35	2RC060	Charging dock	2100600035000	1

13 Electric Accessories 2

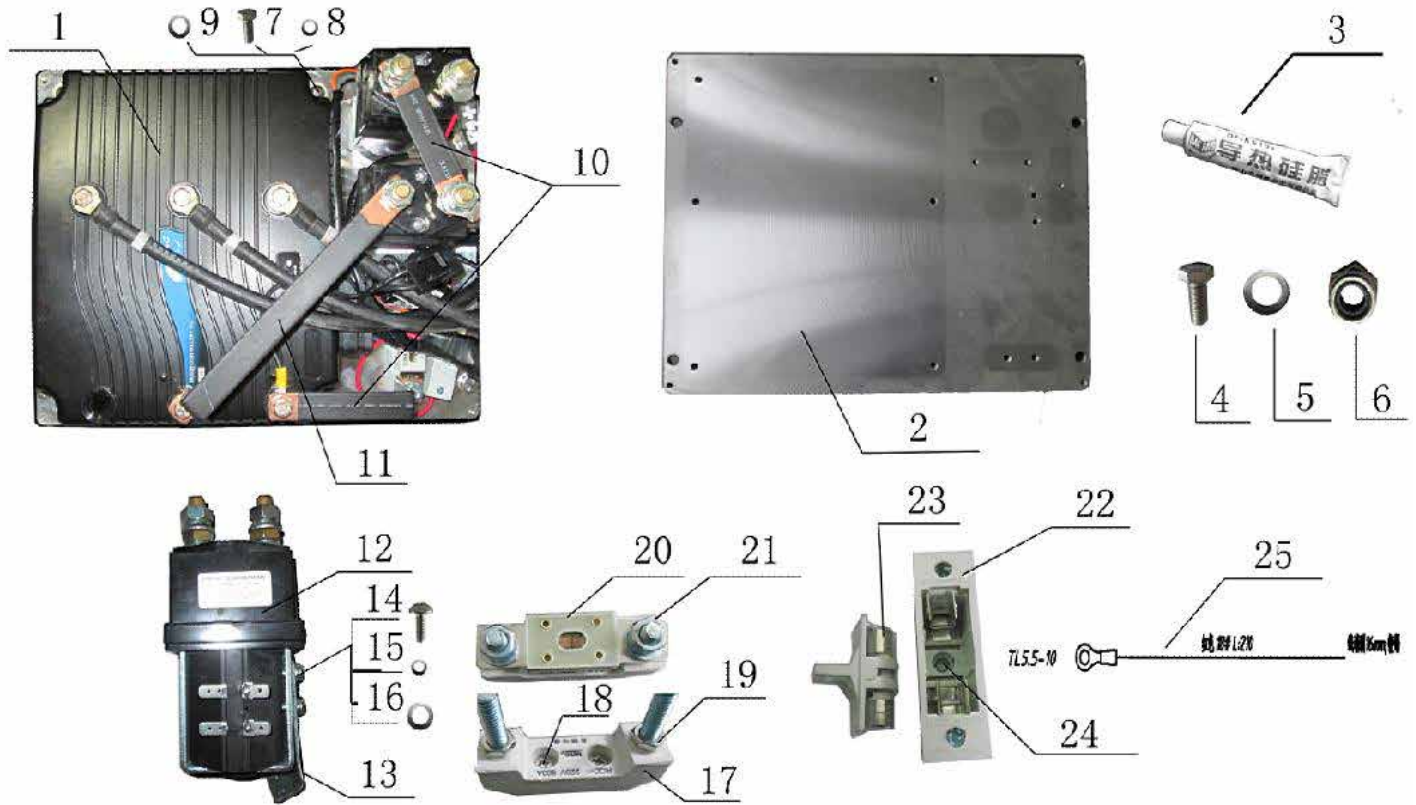


Item No.	STAR EV Part No.	Description	MPN	Qty
1	2CV151	DC converter, 40 Amp*	2101800018000	2
2		Trough pan head screws	2200304008000	8
3		Flat washer	2200700009000	8
4		Nonmetal insert hexagon lock nut	2200401016000	8
5	2LT310	Headlight components	2901800060B00	2
6	2LT311	Small chy-tech pieces	2901800061B00	2
7		Outside the hexagon bolt	1205201026000	4
8		Flat washer	2200700017000	4
9	2LT322	Rear turn signal components	2901800107B00	4
10	2LT306	Turn signal light	2100700047000	2
11	2LT307	Tail light assembly (brake light)	2901800108B00	2

12	2SW385	Combination switch	2101400058000	1
13		Trough pan head screws	1205211016000	3
14	2BT137	Charging cable	2901702047A10	1
15	2BT136	Power cable	2901701081A10	1
16	2WH302	Power control wiring harness	2901705278A00	1
17	2BT135	Battery cables (set)	2901700030A10	1
18	2WH312	Lighting wiring harness	2901704061A10	1
19	2WH370	Before the canopy embedded wire harness	2901709017A20	1
20	2WH371	Rear canopy embedded wire harness	2901709018A00	1
21		Speaker cables	2901711045A00	1
22	2ST56A	Steering booster power cables	2901701055A00	1
23	2LT315	Side light assembly with wires	2901800042A00	10
24	2RD054	CD player	2100300010000	1
n/a	2RD055	Integrated speakers	2101600021000	4
n/a	2RC056	Antenna	2100304004000	1
n/a		Microphone	2100306001000	1
n/a	2SO291	Contactora / solenoid	2102300011000	1
n/a	2SO292	Contactora fixed plate	2102300008000	1
n/a	2WH332	Dome light wiring harness	2901800042A00	1
	2WH333	Dome light wiring harness, embedded car wiring	2901709031A00	1
n/a	2WH302	Power control circuit wiring harness	2901704140A00	1
n/a	2WH312	Lighting wiring harness	2901705278A00	1

*If you have a 30 Amp, it is recommended to upgrade to 40 Amp

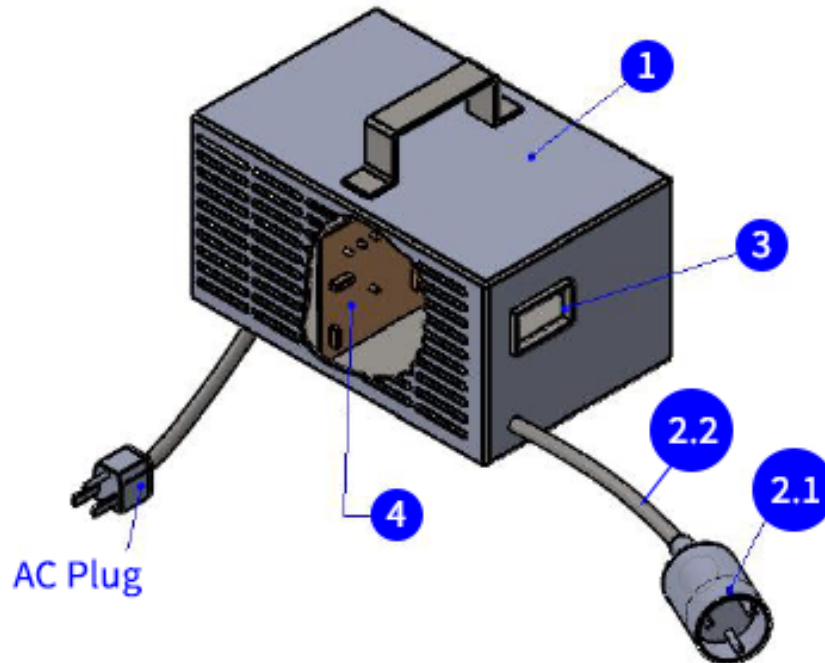
14 Controller Accessories



Item No.	STAR EV Part No.	Description	MPN	Qty
1	2CN122	AC controller	2101701016000	1
2		Heating Panel	2209200036A00	1
3		Cooling paste	9603005002000	0
4		Hexagon bolt	2200100080000	4
5		Flat washer	2200700023000	4
6		Nonmetal insert hexagon lock nut	2200401008000	4
7		Hexagon bolt	2200100002000	4
8		Spring washer	2200701009000	4
9		Flat washer	2200700014000	4
10		Copper connector	2209100027A00	1
11		Copper connector	2209100026A00	1
12	2SO291	Contacter	2102300011000	2
13		Contacter fixator	2207200735A00	2
14		Trough pan head screws	1205211017000	8
15		Spring washer	2200701008000	8
16		Flat washer	2200700009000	8
17	2FU174	Fuse holder	1131550107000	1
18		Trough pan head screws	1205211018000	2
19		Hexagon thin nuts	2200400033000	2
20	2FU170	Power fuse	2102601010000	1
21		Hex nut	2200400020000	2

22	2FU173	Fuse support seat	2303400009000	1
23	2FU150	Controller fuse	1005410-001	1
24		Trough pan head screws	2200304067000	1
25		Wire harness assembly	2901712035A00	1

13 DPI Charger



Item No.	STAR EV Part No.	Description	Remark	Qty
1	2CH072	DPI 72 V charger, 120 V		1
	2CH722	DPI 72 V charger, 220 V	220 V, 50 Hz	
2.1	2PG172	DPI male plug ONLY, green, Gen. IV		1
2.1+ 2.2	2CR072	9 ft DC 72 V output cord, green plug, Gen. IV		1
	2CR720	9 ft DC 72 V output cord, green plug, Gen. III and earlier		
3	2MT240	DPI charger AMP meter		1
4	2BI720	DPI control board, 72 V, 110 V	110 V, 60 Hz	1
	2BI721	DPI control board, 72 V, 220 V	220 V, 50 Hz	
	2BI172	DPI board kit for 72 V charger, no relay, Gen. IV		
AC Plug	2CR120	120 V AC input cord for Gen. IV charger	IPCJ0038-L001830	1
	2CR230	230 V AC input cord for Gen. IV charger	IPCJ0039-L001830	