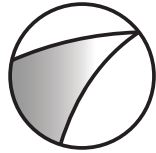




Search with CTRL-F (PC) or COMMAND-F (MAC) to quickly find what you're looking for.



SIRIUS[®]

PERSONAL TRANSPORTATION VEHICLE



STAR[®]

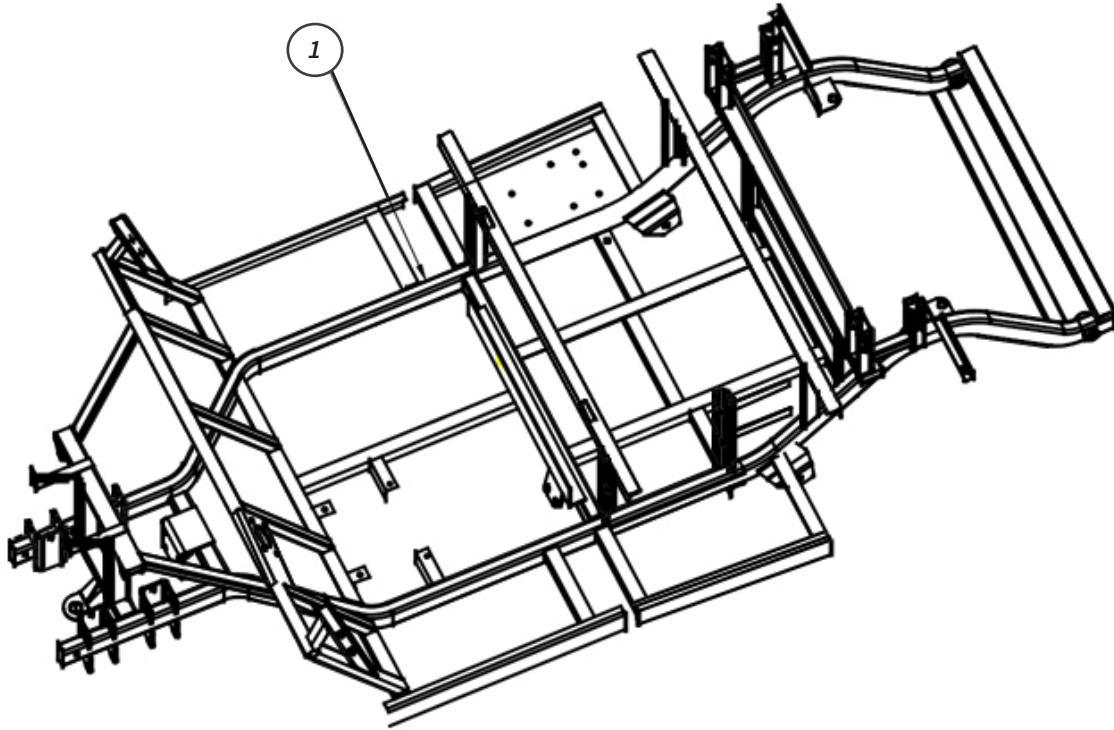
Sirius Parts Manual

Sirius 2, Sirius 2+2, Sirius 4, Sirius 4+2,
Sirius Lifted 2+2, Sirius Lifted 4+2

Contents

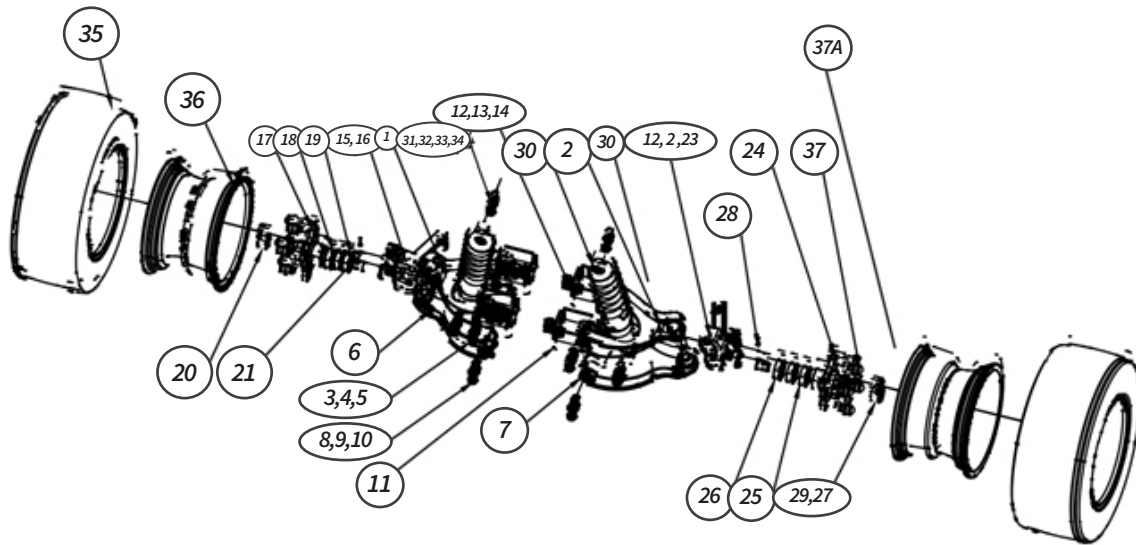
| | | |
|------|-----------------------------|----|
| 1 | Chassis | 3 |
| 2 | Front Suspension | 4 |
| 3 | Rear Suspension | 6 |
| 4 | Steering System | 7 |
| 5 | Brake System (2 and 2+2) | 8 |
| 5-1 | Brake System (4 and 4+2) | 9 |
| 6 | Rear End | 11 |
| 6-1 | QDS™ Rear End for 2 and 2+2 | 13 |
| 6-2 | QDS™ Rear End for 4 and 4+2 | 16 |
| 7-0 | Motor for QDS™ System | 18 |
| 7-1 | Motor for KDS System | 19 |
| 8 | Battery Compartment | 20 |
| 9 | Front Seat for 2 and 2+2 | 21 |
| 9-1 | Pod Seat for 4 and 4+2 | 22 |
| 10 | Sirius 2 Passenger Roof | 24 |
| 11 | Sirius 2+2, 4 and 4+2 Roof | 26 |
| 12 | Front Body | 29 |
| 13 | Rear Body | 32 |
| 14-0 | Ultimate Rear Flip Seat | 34 |
| 14-1 | Rear OEM Rear Flip Seat | 37 |
| 15 | Floor for 2 and 2+2 | 40 |
| 15-1 | Floor for 4 and 4+2 | 41 |
| 16 | Electric Components | 42 |
| 17 | Controller Assembly | 45 |
| 18 | Battery Charger | 47 |
| 19 | Sirius Lifted Unique Part | 49 |

1 Chassis



| Item No. | STAR EV Part No. | Description | MPN | Qty |
|----------|------------------|--|---------------|-----|
| 1 | 2BD700 | Chassis (not available for sale) for 2 and 2+2 | 2207400272A00 | 1 |
| | N/A | Chassis (not available for sale) for 4 and 4+2 | 2207400352A00 | 1 |

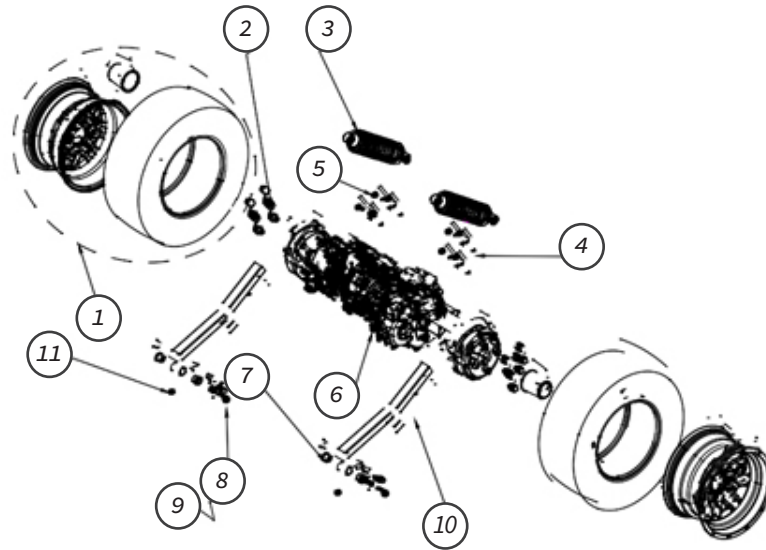
2 Front Suspension



| Item No. | STAR EV Part No. | Description | MPN | Qty |
|----------|------------------|--|---------------|-----|
| 1 | 2SC711 | Upper Control Arm (Passenger side) for 2P, 2+2 Sirius | 2204700134020 | 1 |
| 2 | 2SC710 | Upper Control Arm (Driver Side) for 2P, 2+2 Sirius | 2204700133020 | 1 |
| 3 | 2SC731 | Bolt for camber plate, M10x90, zinc plated | 2200100071000 | 1 |
| 4 | Hardware | M10 washer, Zinc plated | 2200700027000 | 1 |
| 5 | 3HD156 | M10, zinc plated | 2200401010000 | 1 |
| 6 | 2SC713 | Lower Control Arm (Passenger) for Sirius or Capella | 2204700091020 | 1 |
| 7 | 2SC712 | Lower Control Arm (Driver Side) for Sirius | 2204700092020 | 1 |
| 8 | Hardware | Hex bolt, M10x80, Zinc plated | 2200100254000 | 1 |
| 9 | Hardware | Washer, M10, Zinc plated | 2200700027000 | 1 |
| 10 | 3HD156 | Nut, M10, Zinc plated | 2200401010000 | 1 |
| 11 | 2SC730 | Adjustable Camber plate, Q235 / 5.0mm steel, black powder coated | 2207301154010 | 1 |
| 12 | Hardware | Hex bolt, M10x60 A2-70 Stainless steel (SS) | 2200100165000 | 1 |
| 13 | 3HD120 | Nut, M10, SS | 2200400005000 | 1 |
| 14 | 3HD116 | Washer, M10, SS | 2200701014000 | 1 |
| | 2SP700 | Spindle Assembly, driver side. Includes bearing hub and hub bolts (2 and 2+2) | 2201802087A00 | 1 |
| 15 & 16 | 2SP750 | Spindle Assembly - includes bearing hub and hub bolts -Driver side for Sirius 4P/4+2 | 2201802090A10 | 1 |
| | 2SP702 | Spindle Only - Driver side for Sirius 2P/2+2 | | |
| | 2SP752 | Spindle Only - Driver side for Sirius 4P/4+2 | | |
| 15 | 2SP755 | Spindle Only - Driver side for Sirius Lifted | 2205400032A00 | 1 |
| 17 | 2HU700 | Front hub | 2205100155A10 | 1 |
| 18 | 2BE001 | 44643 Hub Bearing for Sirius front hub, May 2018 & Newer Sirius | 2201200019000 | 1 |

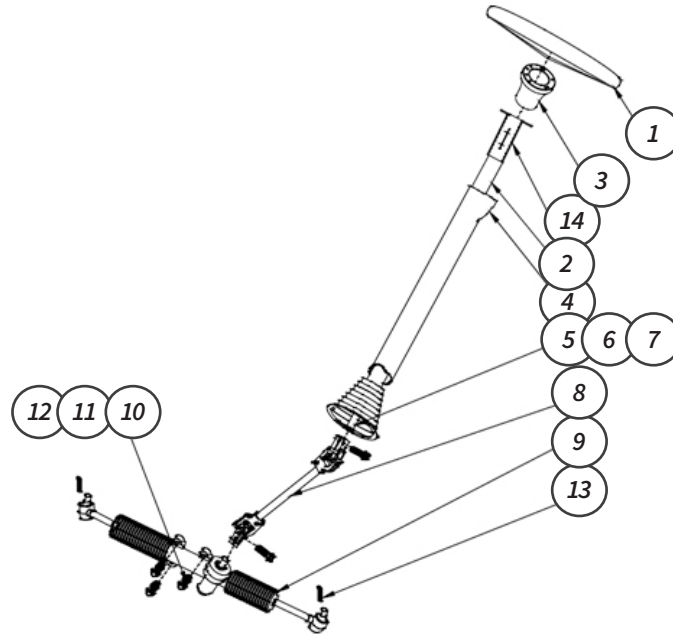
| | | | | |
|---------|----------|---|---------------|---|
| 19 | 2OL701 | 52 x 30 x 10 mm Oil Seal for Sirius (After May 2018) w/ spindle diameter 25.4mm (Current) | 2301300027000 | 1 |
| 20 | 2SP901 | M24 X 1.5 Slotted castle nut for Spindles -Sirius | 2200403009000 | 1 |
| 21 | 2HD201 | Clevis pin, 4x35 zinc plated | 2200900011000 | 1 |
| 22 & 23 | 2SP701 | Spindle Assembly, passenger side. Includes bearing hub and hub bolts (2 and 2+2) | 2018020890A10 | 1 |
| | 2SP751 | Spindle Assembly - Includes bearing hub and hub bolts -Passenger side for Sirius 4P/4+2 | 2201802091A10 | 1 |
| | 2SP703 | Spindle Only - Passenger side for Sirius 2P/2+2 | | 1 |
| | 2SP753 | Spindle Only - Passenger side for Sirius 4P/4+2 | | 1 |
| 22 | 2SP756 | Spindle Only - Passenger side for Sirius Lifted | 2205400033A00 | 1 |
| 24 | 2HU700 | Hub, 2pc/set | 2205100155A10 | 1 |
| 25 | 2BE001 | 44643 Hub Bearing for Sirius front hub, May 2018 & Newer Sirius | 2201200019000 | 1 |
| 25 | 2BE700 | 32004x Bearing for Sirius front suspension (Hub) (Before May 2018) | 2201200205000 | 1 |
| 26 | 2OL701 | 52 x 30 x 10 mm Oil Seal for Sirius (After May 2018) w/ spindle diameter 25.4mm (Current) | 2301300027000 | 1 |
| 26 | 2OL700 | Oil Seal, 42 x 30 x 7mm | 2301300047000 | 1 |
| 27 | 2SP901 | M24 X 1.5 Slotted castle nut for Spindles -Sirius | 2200403009000 | 1 |
| 28 | 2HD201 | Locker Pin, 4 x 35 Zinc plated | 2200900011000 | 1 |
| 29 | Hardware | Washer, M20, 1.6~1.7mm thick, Zinc plated | 2200700057000 | 1 |
| 30-1 | 2SC740 | Front Shock assembly, adjustable, spring diameter 12mm 9 colil for 2P, 2+2, 4 and 4+2 | 2205300068A10 | 1 |
| 31 | Hardware | Hex bolt, M10x50, Zinc plated | 2200100054000 | 1 |
| 32 | Hardware | Hex bolt, M10x50, Zinc plated | 2200100096000 | 1 |
| 33 | Hardware | Washer, M10, zinc plated | 2200700076000 | 1 |
| 34 | Hardware | Lock washer, M10, Zinc plated | 2200701014000 | 1 |
| 35 | 2TR507 | Tire/rim assembly 20.5x9.00-12 tire 12x7, -15mm Aluminum rim | 2301400206A00 | 1 |
| A-35 | 2TR120 | 23 x 10.5 - 12 4PR Tire 12" Twister for Sport & Sirius Lifted | | |
| 36 | 2RM285 | 12 x 7 Honeycomb Spoke Pattern, Machined Black (-15 mm offset) | 2205100194000 | 2 |
| B-36 | 2RM287 | 12 x 7 (-43mm offset) Machined Black (includes Center Cap) for Sirius Lifted | | |
| 37 | 2LN050 | Lug nuts, M12 x 1.25, chrome plated | 2200406003000 | 8 |
| 37A | 2LN052 | Front Silver Stud for HUB for Sirius | 2200103136000 | 8 |

3 Rear Suspension



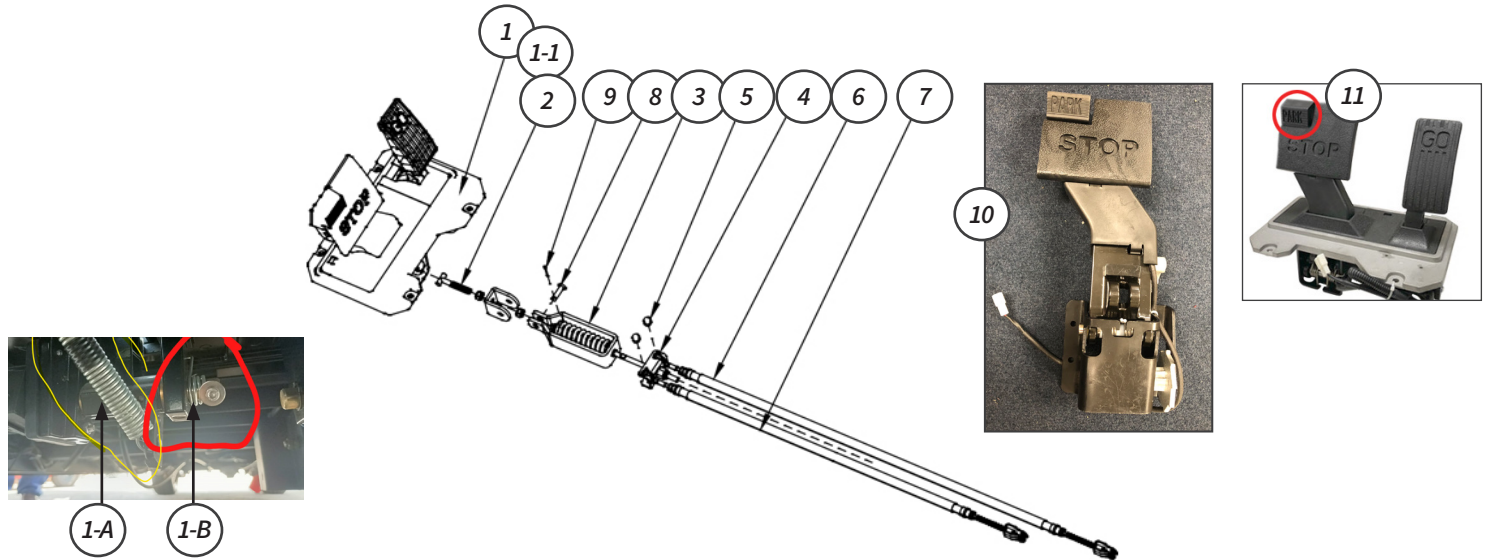
| Item No. | STAR EV Part No. | Description | MPN | Qty |
|----------|------------------|---|---------------|-----|
| 1 | 2TR507 | Tire/rim assembly 20.5 x 9.00-12 tire, 12 x 7, -15 mm Aluminum rim | 2301400206A00 | 2 |
| | 2TR120 | 23 x 10.5-12 4PR Tire 12" Twister for Sirius Lifted | | |
| | 2RM287 | 12x7 (-43mm offset) Machined Black (includes Center Cap) for Sirius Lifted | | |
| 2 | 2LN050 | Lug Nut, M12*1.25, chrome, capped | 2200406003000 | 8 |
| 3 | 2SK700 | Rear shock with coil, adjustable | 2205300065A00 | 2 |
| | 2SK750 | Mounting Plate Rear Shock for Sirius Lifted with Hardware (driver or pass side) | 2205001887000 | 2 |
| 4 | 3HD143 | U-bolt, 40Cr or #45# steel, zinc plated | 2200104044A00 | 4 |
| 5 | 3HD142 | Lock nut, M10x1.5, Zinc plated | 2200404004000 | 8 |
| | | Rear end assembly with motor and drum brakes | | |
| 6 | 2RE700 | Rear end assembly with brakes for KDS (2 and 2+2) | | |
| | 2RE701 | Rear end assembly with brakes for QDS™ (2 and 2+2) | | |
| | 2RE705 | Rear end assembly with hydraulic brakes for QDS™ (4 and 4+2) | 2204400208A00 | 1 |
| 7 | 2BS750 | Nylon bushing, black 28 x 22 x 14 | 2301900004C00 | 4 |
| 8 | 3HD138 | Bolt, 40Cr/45 steel, M13 x 89 (use 70mm), Zinc plated | 2200103003C00 | 2 |
| 9 | 3HD142 | Nut, M10 x 1.5, Zinc plated | 2200404004000 | 2 |
| 10 | 2RR700 | Rear Swing arm, black powder coated | 2204702001A00 | 2 |
| 11 | | Grease fitting, M8z1, stainless steel | 2202500003000 | 2 |

4 Steering System



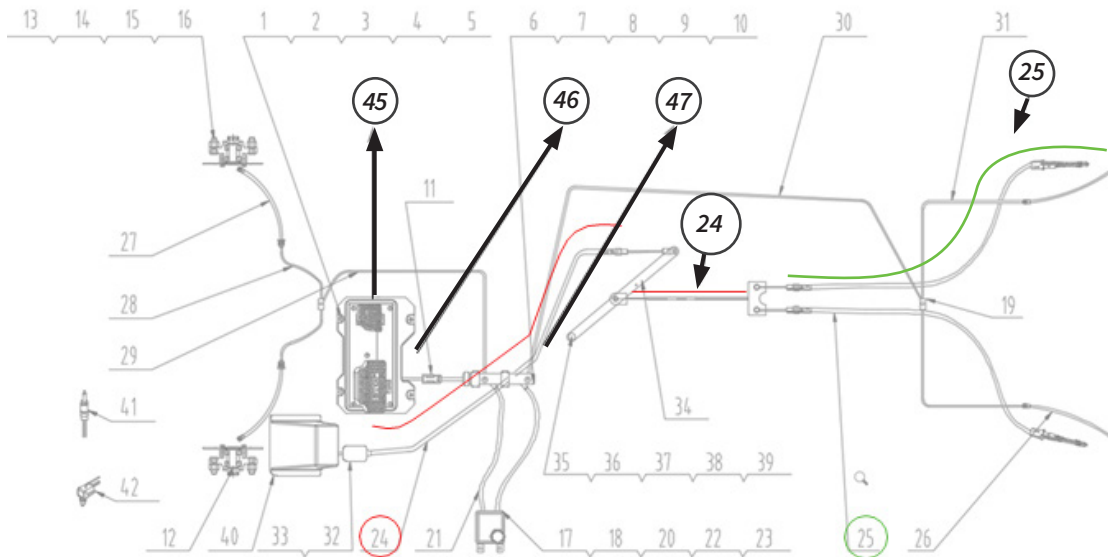
| Item No. | STAR EV Part No. | Description | MPN | Qty |
|----------|------------------|---|---------------|-----|
| 1 | 2SL170 | Steering Wheel, Outside diameter $\Phi 320$, Spline M = 0.423, Z = 40 | 2207700028000 | 1 |
| 2 | 2ST155 | Steering Column, powder coated | 2205600022A00 | 1 |
| 3 | 2SL257 | Steering wheel adapter, alloy, Chrome plated | 2205700020A00 | 1 |
| 4 | 2SL217 | Steering column side cover, 45 x 6.5 x 3.5 cm, H-Shape | 2301900059C00 | 1 |
| 5 | Hardware | Hex Bolt, M10 x 40 Zinc plated | 2200100076000 | 1 |
| 6 | 3HD153 | Flat washer, M10 Zinc plated | 2200700076000 | 8 |
| 7 | 3HD156 | Nylon lock nut, M10, zinc plated | 2200401010000 | 4 |
| 8 | 2ST280 | Lower steering shaft/steering column connection, 80mm, includes M8 x 25 hex bolt, washer and lock washer, rubber boot | 2206000002C00 | 1 |
| 9 | 2ST515 | Steering rack with ball studs, rack-pinion, double ended , 180 mm travel | 2207800034A20 | 1 |
| 10 | Hardware | Hex bolt, M10*55, zinc plated | 2200102003000 | 3 |
| 11 | 3HD142 | Lock nut, Metal, M10 x 1.5, zinc plated | 2200404004000 | 3 |
| 12 | 2HD141 | M10x1.5, Zinc plated | 2200400009000 | 3 |
| 13 | | Lock Pin, 3 x 40 zinc plated | 2200900010000 | 2 |
| 14 | | Mounting plate for combo switch, Zinc plated | 2207301410A00 | 1 |
| 15 | 2ST041 | Boot steering column for Sirius | 2200014074000 | 1 |
| 16 | 2ST615 | Ball joint redirector, steering box, rack & pinion Sirius | 2209000056000 | 2 |
| 17 | 2ST043 | Boot - Steering rack for Sirius | 2209000056000 | 2 |

5 Brake System for 2 and 2+2



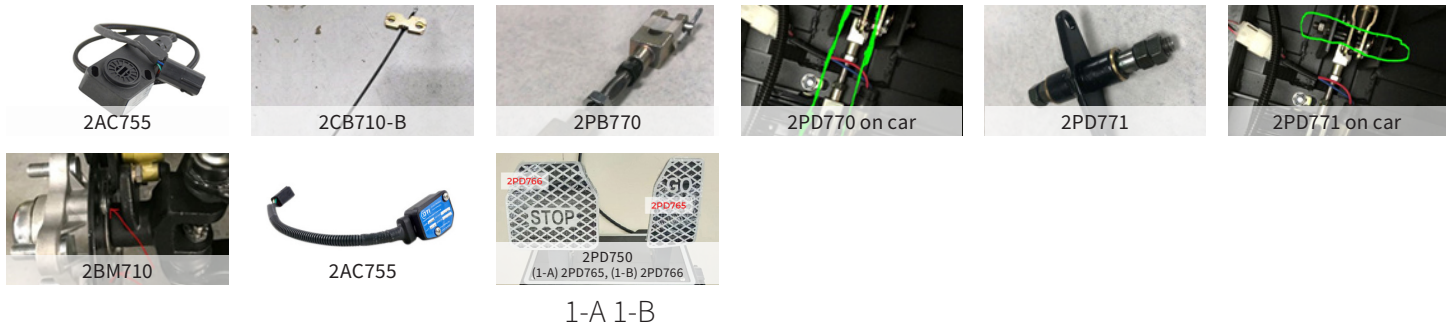
| Item No. | STAR EV Part No. | Description | MPN | Qty |
|----------|------------------|---|---------------|-----|
| 1 | 2PD700 | Foot Pedal Assembly - throttle and brake for 2P Sirius with Manual brakes | 2206200273000 | 1 |
| 1-A | 2BM701 | GO pedal SPRING $\phi 16 \times 90$, 26 circles, white zinc Sirius | 2201100130000 | 1 |
| 1-B | 2BM702 | STOP pedal SPRING $\phi 16 \times 82$, 21 circles, white zinc Sirius | 2201100129000 | 1 |
| 1-1 | 2SW612 | Brake switch only | 2101400185000 | 1 |
| 1-2 | 2AC750 | Accelerator - throttle box for Sirius 2P / 2+2 | 2102700026000 | 1 |
| 2 | 2PB701 | Pull rod | 2204800079A00 | 1 |
| 3 | 2PB700 | Brake compensator | 2206100126000 | 1 |
| 4 | 2BM700 | Brake balancer, 57 x 30.5 x 24mm, zinc plated | 2208605001C00 | 1 |
| 5 | 2BM705 | Rubber plug. $\phi 12 \times \phi 11 \times \phi 10 \times 14.2$, black | 2301906013C00 | 2 |
| 6 | 2CB701 | Brake cable-long, passenger side, 1180*1040, diameter 7mm, free travel 70 \pm 2mm | 2206900007C00 | 1 |
| 7 | 2CB700 | Brake cable-short, driver side, 940*800, diameter 7mm, travel 70 \pm 2mm | 2206900008C00 | 1 |
| 8 | 2HD200 | Lock Pin, M8 x 20 | 2200902002000 | 2 |
| 9 | | Lock Pin, 2.5*16, zinc plated | 2200900005000 | 2 |
| 10 | 2PD710 | Brake Pedal (Black) for 2P Sirius with Manual brakes | 2200016693000 | 1 |
| 11 | 2PD711 | "PARK" pedal on Brake Pedal for 2P Sirius with Manual brakes | 3600000707 | 1 |

5-1 Hydraulic Brake System for 4 and 4+2

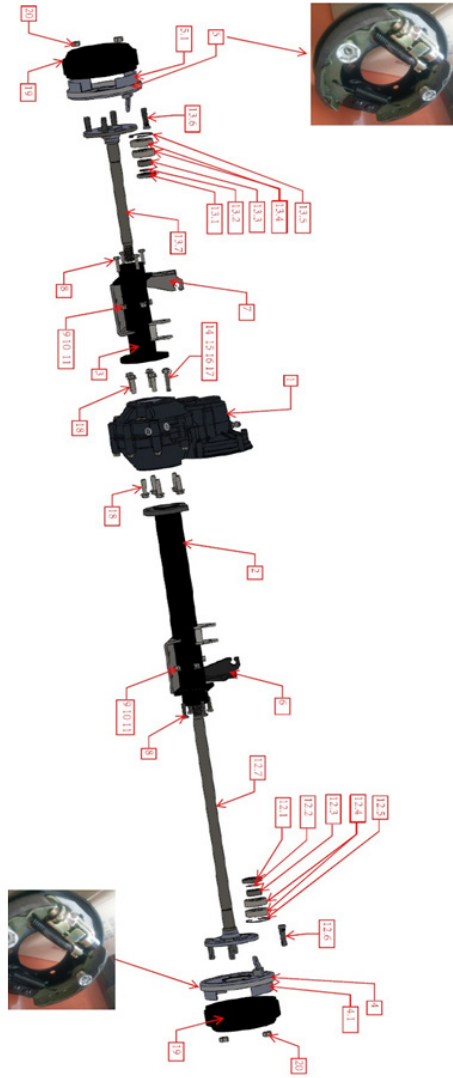


| Item No. | STAR EV Part No. | Description | MPN | Qty |
|----------|------------------|--|---------------|--------------|
| 1 | 2PD750 | Foot Pedal Assembly - throttle and brake for 4P Sirius with Hydraulic brakes | 2206200197000 | 1 |
| 1-A | 2PD765 | Accelerator pedal for 4P Sirius with Hydraulic brakes (GO pedal) (shown below in photos) | 2206200275000 | 1 |
| 1-B | 2PD766 | Brake pedal for 4P Sirius with Hydraulic brakes (STOP pedal) (shown below in photos) | 2206200274000 | 1 |
| 1-1 | 2SW612 | Brake switch only | 2101400185000 | 1 |
| 1-2 | 2AC755 | Accelerator - throttle box model WTF-1290465 for Sirius 4P / 4+2 | 2102000036000 | 1 |
| 2 | Hardware | Cylindrical head socket screw | 2200301086000 | 4 |
| 3 | Hardware | Flat washer | 2200700022000 | 8 |
| 4 | Hardware | Spring washer | 1205002002000 | 4 |
| 5 | Hardware | Hexagon lock nut with non-metallic insert | 2200401008000 | 4 |
| 6 | 2MC050 | Brake master cylinder | 2206300005000 | 1 |
| 7 | Hardware | Hexagon bolt | 2200100080000 | 2 |
| 8 | Hardware | Spring washer | 2200701011000 | 2 |
| 9 | Hardware | Flat washer | 2200700023000 | 4 |
| 10 | 3HD832 | M8, hex bolt, zinc plated | 2200400012000 | 2 |
| 11 | | Split pin 2.5*22 | 2200900008000 | 3 |
| 12 | 2CL710 | FRONT Driver Side CALIPERS w/ pads for 4P or 4+2 Sirius | 2205500079000 | 1 |
| 13 | 2CL711 | FRONT Pass.Side CALIPERS w/ pads for 4P or 4+2 Sirius | 2205500080000 | 1 |
| | 2CY301 | Wheel Cylinder REAR for Sirius 4, 4+2 | 2204300094000 | 2 |
| | 2RT700 | Front Disc / Rotars | 2205200064000 | 2 |
| | 2SH055 | Set of Brake Pads (Driver or Passenger) for 4P, 4+2 | 2204500131000 | 1 set = 4pcs |
| 14 | 3HD089 | Hexagon socket bolt with cylindrical head | 2200300036000 | 4 |

| | | | | |
|------|----------|---|---------------|-----|
| 15 | | Oil bolt M10*1.0 | 2200103015000 | 2 |
| 16 | Hardware | Sealing washer | 2200703009000 | 4 |
| 17 | 2TB030 | Brake Fluid Reservoir tank | 2303300013A00 | 1 |
| 19 | 2TB242 | Tee Joint valve | 2201706001000 | 2 |
| 20 | Hardware | Flat washer | 2200700085000 | 2 |
| 21 | 2TB029 | Tube for Brake Reservoir- Sirius | 2300500002000 | 1.5 |
| 22 | | Oil cup oil pipe clamp | 2207901002000 | 4 |
| 23 | | Brake oil DOT3 | 9601004608000 | 1 |
| 24 | 2CB710 | Park on line 1 | 2900500154A00 | 1 |
| 24-B | 2CB710-B | Parking Brake Cable #1 SHORT (Main) for Sirius | 2900500154A00 | 1 |
| 25 | 2CB711 | Park on line 2 | 2900500155A00 | 1 |
| 26 | 2TB700 | 40 cm rear brake tubing for 4P Sirius | 2206700038000 | 2 |
| 27 | 2TB234 | Front disc flexible Tube 40cm for Sirius | 2206700037000 | 2 |
| 28 | 2TB701 | 24 cm Front (item 28) brake tubing for 4P Sirius | 2206700145A00 | 2 |
| 29 | 2TB702 | 74 cm Front (item 29) brake tubing for 4P Sirius | 2206700146A00 | 1 |
| 30 | 2TB703 | 155 cm Middle (item 30) brake tubing for 4P Sirius | 2206700147A00 | 1 |
| 31 | 2TB704 | 55 cm Rear (item 31) brake tubing for 4P Sirius | 2206700148A00 | 2 |
| 32 | 2PD760 | Parking pedal | 2206200253A00 | 1 |
| 33 | 2PD761 | Foot pedal rubber pad for Parking brake | 2301903132000 | 1 |
| 34 | 2PB710 | Parking lever arm for parking brake cables on 4P Sirius | 2204700132A00 | 1 |
| 35 | 2BS752 | Parking axle bushing for Sirius 4+2 | 2202100357000 | 1 |
| 36 | Hardware | Hexagon bolt M10*65 | 2200100122000 | 1 |
| 37 | Hardware | Hexagon bolt M8*25 | 2200100029000 | 2 |
| 38 | 3HD156 | Hexagon lock nut with non-metallic insert M10 | 2200401010000 | 2 |
| 39 | Hardware | Hexagon nut M8 | 1204901008000 | 2 |
| 40 | 2PB143 | Parking brake cover | 2206901053A00 | 1 |
| 41 | 2SW611 | Braking light switch | 2101400002000 | 1 |
| 42 | 2SW541 | Microswitch | 2200012594000 | 1 |
| 43 | 2BM710 | M8 x 30 Bolt for front disc brake | 2200100412000 | 8 |
| 44 | 2MB711 | Flat Washer 8x1 for front disc brake | 2200700172000 | 8 |
| 45 | 2PD765 | Accelerator pedal for 4 P Sirius w/Hydraulic brakes | 2206200275000 | 1 |
| 46 | 2PD770 | Linkage Connection Rod w/ 2 Yokes Sirius 4+2 Hydraulic | | 1 |
| 47 | 2PD771 | Pivot Arm for Master Cylinder for Sirius 4+2 Hydraulic | | 1 |



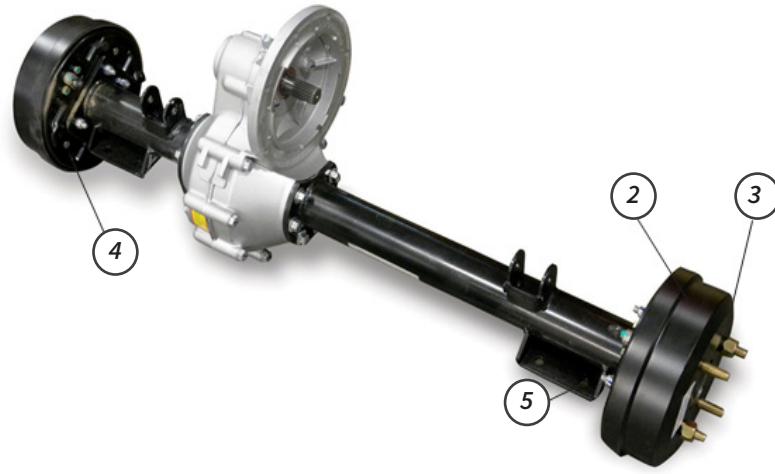
6 Rear End (KDS System for 2 and 2+2, before September 2018)



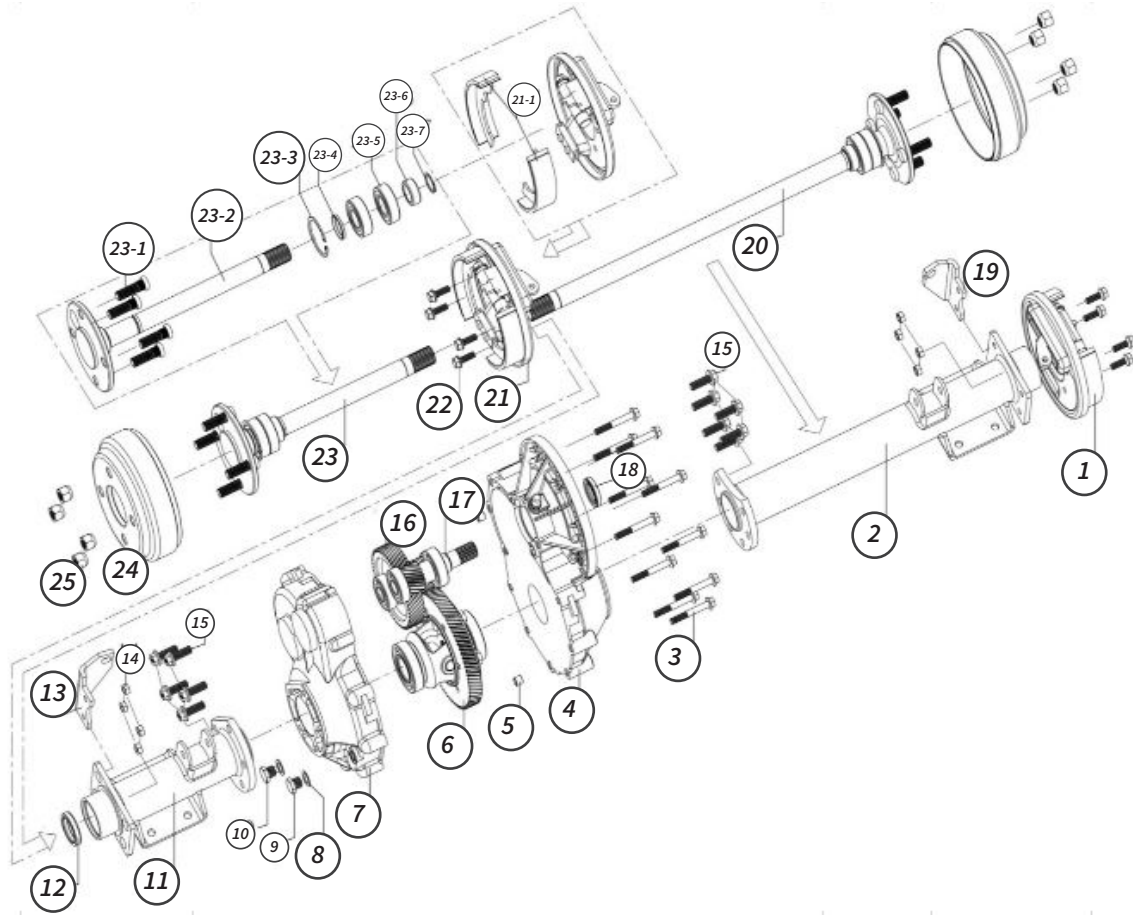
| Item No. | STAR EV Part No. | Description | MPN | Qty |
|----------|------------------|--|---------------|-----|
| | 2RE700 | Rear end assembly with brakes for KDS 2 and 2+2 | 2204400145A00 | 1 |
| 1 | 2RR750 | Differential case, 12.4:1, 5SD246078 | 2204100105000 | 1 |
| 2 | 2AX761 | Axle Sleeve-Long, passenger side, 5SD210028 | 2202100329000 | 1 |
| 3 | 2AX760 | Axle Sleeve-short, driver side, 5SD210029 | 2202100330000 | 1 |
| 4 | 2BP705 | REAR Driver Side Backing Plate for Sirius 2/2+2 - QDS™ System | 2205500192000 | 1 |
| 4.1 | 2SH700 | KDS Sirius Brake shoe | 2204500073000 | 2 |
| 5 | 2BP706 | REAR Passenger Side Backing Plate for Sirius 2/2+2 - QDS™ System | 2205500130000 | 1 |
| 6 | | Brake bracket, Passenger side, 8SD040269 | 2207201747000 | 1 |
| 7 | | Holder, driver side, 8SD040268 | 2207201748000 | 1 |
| 8 | Hardware | Hex Bolt, M8x25, GLS000009 | 2200100398000 | 8 |
| 9 | Hardware | Hex nut, M8, GLM000002 | 2200401045000 | 8 |
| 10 | Hardware | Lock washer, GDP000003 | 2301908116000 | 8 |

| | | | | |
|------|----------|---|---------------|---|
| 11 | | Flat gasket, GDP000014 | 2301908117000 | 8 |
| 12.1 | | Oil Seal, GMF000006 | 2301300063000 | 1 |
| 12.2 | | Snap ring ext, GDQ000002 | 2200800023000 | 1 |
| 12.3 | | Axle bushing, GB0100012 | 2301903036000 | 1 |
| 12.4 | | Axle bearing, deep groove ball bearing, GZC000005 | 2201200233000 | 2 |
| 12.5 | | Snap ring, INT, GDQ000003 | 2200900044000 | 1 |
| 12.6 | 2LN053 | Rear Axle Stud (Gold) 8SD906105 for Sirius | 2200600022000 | 8 |
| 12.7 | 2AX751 | Half Axle Long shaft (Passenger Side) for SIRIUS 2P -4+2 8SD2003103 | 2202100331000 | 1 |
| 13.1 | | Oil Seal, GMF000006 | 2301300063000 | 1 |
| 13.2 | | Snap ring, EXT, GDQ000002 | 2200800023000 | 1 |
| 13.3 | | Axle bushing, GB0100012 | 2301903036000 | 1 |
| 13.4 | | Axle bearing, deep groove ball bearing, GZC000005 | 2201200233000 | 2 |
| 13.5 | | Snap ring INT, GDQ000003 | 2200900044000 | 1 |
| 13.6 | 2LN053 | Tire bolt, 8SD906105 | 2200600022000 | 4 |
| 13.7 | 2AX750 | Half Axle Short Shaft (Driver Side) for SIRIUS 2P - 4+2, 8SD2003104 | 2202100332000 | 1 |
| 14 | Hardware | Screw, M10x55, GLS000017 | 2700900028000 | 1 |
| 15 | Hardware | Hex nut, M10, GLM000005 | 2200401046000 | 1 |
| 16 | Hardware | Lock washer, 060905 | 2301908118000 | 1 |
| 17 | | Flat gasket, 030874 | 2301908119000 | 1 |
| 18 | Hardware | Hex head flange bolt, M10, GLS000014 | 2200600038000 | 9 |
| 19 | 2DM140 | REAR Brake drum, GB0000003 KDS SYSTEM 2 / 2+2 | 2205100178000 | 2 |
| 20 | Hardware | Hex nut, M12x1.25, 062461 | 2200401047000 | 4 |

6-1 QDS™ Rear End for 2 and 2+2 (After September 2018)



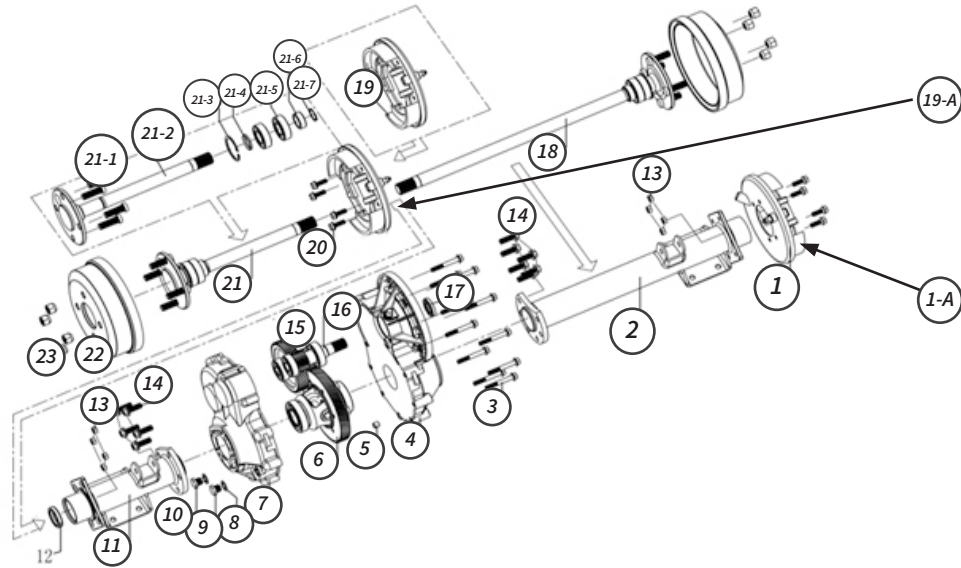
| Item No. | STAR EV Part No. | Description | MPN | Qty |
|----------|------------------|---|---------------|-----|
| 1 | 2RE701 | Complete Rear and assembly with brakes for QDS™ 2 and 2+2 | 2200015214S00 | 1 |
| 2 | 2SH071 | Brake shoes | 2204500084000 | 1 |
| 3 | 2DM140 | REAR Brake drum QDS™ SYSTEM 2 / 2+2 | 2205100192000 | 1 |
| 4 | 2BP705 | REAR Driver Side Backing Plate for Sirius 2/2+2 - QDS™ System | 2205500192000 | 1 |
| 5 | 2BP706 | REAR Passenger Side Backing Plate Sirius 2/2+2 - QDS™ System | 2205500130000 | 1 |



| Item No. | STAR EV Part No. | Description | MPN | Qty |
|----------|------------------|--|------------|-----|
| 1 | 2BP720 | Backing plate assembly, driver side LY125M-J160-01, $\phi 160$ | 3600001341 | 1 |
| 2 | 2AX761 | Long tube (Sleeve) LY125M-5002 | 3302004617 | 1 |
| 3 | 2RR744 | Housing connection bolts LY125M-4008, M8*60 | 3600001793 | 11 |
| 4 | 2RR743 | Transmission front housing LY125M-4001 | 3600001794 | 1 |
| 5 | 2RR742 | Hollow dowel pins LY125M-4003, $\phi 8.5 \times \phi 10 \times 10$ | 3600001795 | 2 |
| 6 | 2RR741 | Differential assembly LY125M-3000 | 3600001796 | 1 |
| 7 | 2RR740 | Rear housing of the transmission | 3600001797 | 1 |
| 8 | 2RR739 | Aluminum gaskets LY125M-4002 | 3600001798 | 2 |
| 10 | 2RR737 | Oil drain screw plug LY125M-4006, M14*1.5 | 3600001800 | 1 |
| 11 | 2AX760 | Short tubes (Sleeve) LY125M-5001 | 3302004616 | 1 |
| 12 | 2OL800 | Half shaft oil seal LY125M-5008, $\phi 34 \times \phi 45 \times 8$ | 3410004380 | 2 |
| 13 | 2RR735 | Left cable bracket LY125M-5015-01 | 3301000760 | 1 |
| 14 | 2BP712 | Brake nut LY125M-5014, 5/16-24 | 3600001801 | 8 |
| 15 | 2RR734 | Coupling disc bolts LY125M-5003, M10*30 | 3600001802 | 11 |
| 16 | 2RR733 | Intermediate shaft assembly LY125M-2000 | 3303000415 | 1 |
| 17 | 2RR732 | Input axis assembly LY125M-1000 | 3303000270 | 1 |

| | | | | |
|------|--------|--|------------|---|
| 18 | 2OL711 | Input shaft oil seal LY125M-4007, $\phi 25 \times \phi 40 \times 7$ | 3600001803 | 1 |
| 19 | 2RR736 | Right pull cable bracket | 3301000768 | 1 |
| 20 | 2AX751 | Long half-shaft assembly LY125M-5015-02 | 3600000506 | 1 |
| 21 | 2BP721 | Backing plate assembly, passenger side LY125M-J160-02 $\phi 160$ | 3600001342 | 1 |
| 22 | 2BP713 | Brake bolts LY125M-5013, 5/16-24 | 3600001804 | 8 |
| 23 | 2AX750 | Short half-shaft assembly LY125M-5000 | 3303000152 | 1 |
| 24 | 2DM140 | Brake drums LY125M-G160, $\phi 160$ | 3600000277 | 2 |
| 25 | 2LN050 | Hub nuts LY125M-5016, M12*1.25 | 3600001590 | 8 |
| 21-1 | 2SH075 | Brake shoes LY125M-J160-0102 | 3600001277 | 4 |
| 23-1 | 2LN055 | Hub bolts LY125M-5010, M12*1.25 | 4101080374 | 8 |
| 23-2 | | Short half axis LY125M-5004, LY125M-5011 | 3303000129 | 1 |
| 23-3 | 2BE710 | Half shaft bearing retaining rings LY125M-5009, $\phi 52$ | 3600001805 | 2 |
| 23-4 | 2BE711 | washer LY125M-5012, $\phi 25.5 \times \phi 34 \times 4$ | 3600001806 | 2 |
| 23-5 | 2BE003 | Half-shaft bearings LY125M-5005, 6205-2RS | 3600001807 | 4 |
| 23-6 | 2OL710 | Half-shaft bearing spacer sleeve LY125M-5006, $\phi 25 \times \phi 34 \times 13$ | 3303000093 | 2 |
| 23-7 | 2BE712 | Retaining rings LY125M-5007, $\phi 25$ | 3600001808 | 2 |

6-2 QDS™ Rear End for 4 and 4+2



| Item No. | STAR EV Part No. | Description | MPN | Qty |
|----------|------------------|--|---------------|-----|
| | 2RE705 | QDS™ Complete rear end assembly with brakes for 4 and 4+2 | 2204400208A00 | 1 |
| 1 | 2BP711 | Backing Plate Long shaft (Passenger Side) for Sirius 4/4+2 - QDS™ System | 2205500199000 | 1 |
| 1-A | 2SH000 | Rear Brake for a Hydraulic Brakes | | 2 |
| 2 | 2AX766 | Axle SLEEVE Long shaft (Passenger Side) for Sirius 4/4+2 - QDS™ System | 2208400616000 | 1 |
| 3 | | Shell Coupling Bolt | 2200104052000 | 11 |
| 4 | | Front Housing Of Transmission | 2206802014000 | 1 |
| 5 | | Hollow Dowel Pin | 2200901051000 | 2 |
| 6 | | Differential Assembly | 2204400209000 | 1 |
| 7 | | Housing Compl Extension | 2206802015000 | 1 |
| 8 | | Aluminum Spacer | 2200703105000 | 2 |
| 9 | | Add Oil Plug | 2301906101000 | 1 |
| 10 | | Drain Plug | 2301906102000 | 1 |
| 11 | 2A x 765 | Axle SLEEVE Short shaft (Driver Side) for Sirius 4/4+2 - QDS™ System | 2208400617000 | 1 |
| 12 | | Axle Shaft Oil Seal | 2301300070000 | 2 |
| 13 | Hardware | Brake Nut | 2200406018000 | 8 |
| 14 | | Coupling Plate Bolt | 2200600042000 | 11 |
| 15 | | Intermediate Shaft Assembly | 2202100365000 | 1 |
| 16 | | Input Shaft Assembly | 2202100366000 | 1 |

| | | | | |
|------|--------|--|---------------|---|
| 17 | 2OL711 | Input Shaft Oil Seal $\phi 25 \times \phi 40 \times 7$ | 2301300071000 | 1 |
| 18 | 2AX751 | HALF AXLE Long shaft (Passenger Side) for SIRIUS 2P-4+2 8SD2003103 | 2202100331000 | 1 |
| 19 | 2BP710 | REAR Driver Side Backing Plate Assembly for Sirius 4/4+2 - QDS™ System $\phi 180$ | 2205500139000 | 1 |
| 19-A | 2SH000 | Rear Brake for a Hydraulic Brakes | | 2 |
| 20 | | Brake Bolt | 2200600043000 | 8 |
| 21 | 2AX750 | HALF AXLE Short shaft (Driver Side) for SIRIUS 2P-4+2, 8SD2003104 | 2202100332000 | 1 |
| 21-1 | 2LN055 | Hub Bolt M12*1.25 | 2200103139000 | |
| 21-2 | N/A | Semiminor Axis | 2201803083000 | |
| 21-3 | | Half shaft bearing retaining ring $\phi 52$ | 2200800024000 | |
| 21-4 | | Joint ring $\phi 25.5 \times \phi 34 \times 4$ | 2200700171000 | |
| 21-5 | 2BE003 | Half shaft bearing 6205-2RS | 2201200242000 | |
| 21-6 | | Half shaft bearing spacer $\phi 25 \times \phi 34 \times 13$ | 2202100367000 | |
| 21-7 | | Retainer ring $\phi 25$ | 2200800025000 | |
| 22 | 2DM120 | Rear Drum for 4 /4+2 $\phi 160$ | 2205100196000 | |
| 23 | | Lug nut 1/2-20 | 2200406082000 | |

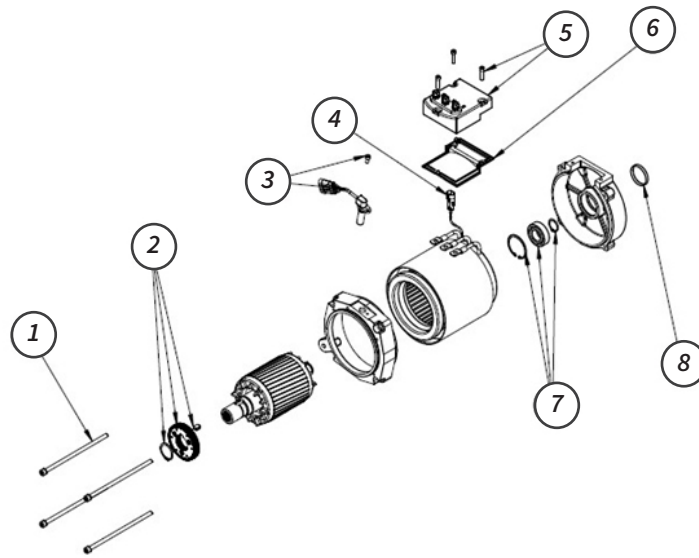
7-0 Motor for QDS™ System (After September 2018)



| Item No. | STAR EV Part No. | Description | MPN | Qty |
|----------|------------------|--|---------------|-----|
| 1 | 2MO701 | QDS™ AC Motor, 4KW for 2 and 2+2 | 2101903035000 | 1 |
| | 2MO710 | QDS™ AC Motor, 5 KW for 4 and 4+2 | 2101903076000 | 1 |
| | 2MO702 | Speed sensor for QDS™ motors | 2102700025000 | 1 |
| 2 | 2MO791 | Speed Sensor mounting bracket kit (2 brackets w /4 small bolts) | 2207302048000 | 1 |

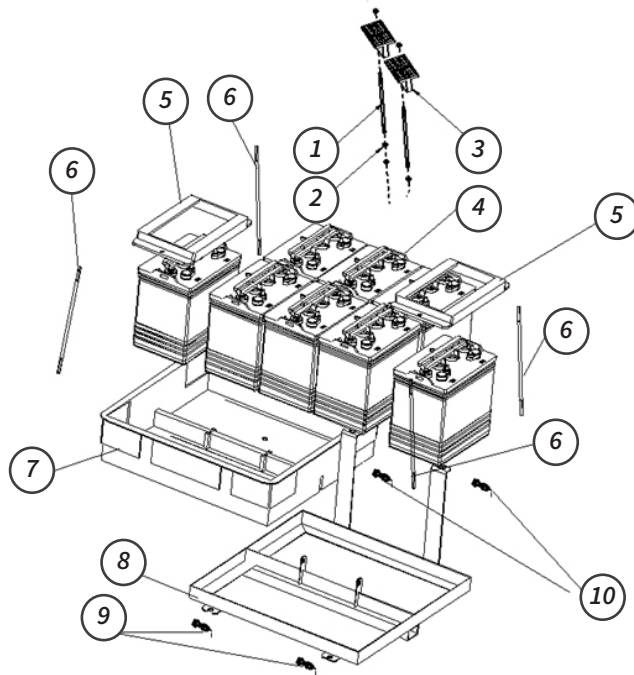


7-1 Motor for KDS™ System (Before September 2018)



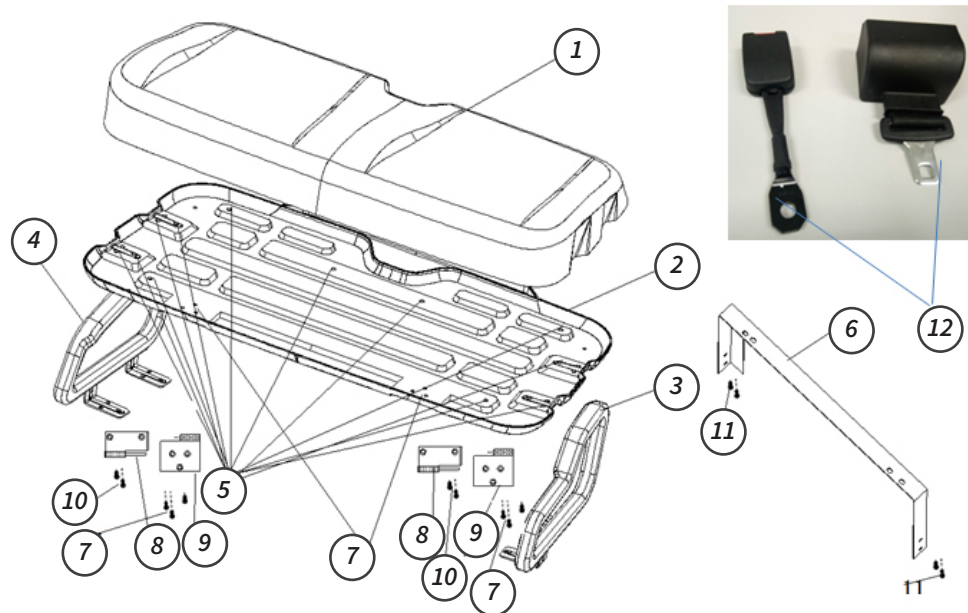
| Item No. | STAR EV Part No. | Description | MPN | Qty |
|----------|------------------|--|---------------|-----|
| | 2MO700 | Motor assembly, 4KW AC, KDS | 2101903060000 | 1 |
| 1 | | Tie bolt service kit, 8SD.909.032AS (M8X190) | 2700900029000 | 4 |
| 2 | | Pulse wheel service kit, 5SD.676.502S | 2301400220000 | 1 |
| 3 | | Speed sensor service kit, 5SD.421.034S | 2102700021000 | 1 |
| 4 | | Thermal sensor service kit, H-302S | 2102700022000 | 1 |
| 5 | | Terminal block kit (M8), 5SD.064.280S | 2902600022000 | 1 |
| 6 | | Terminal block gasket, 8SD.371.226 | 2301908120000 | 1 |
| 7 | | Bearing service kit, 100218AS | 2202100333000 | 1 |
| 8 | | Rear end shaft cover, 8SD.310.310 | 2207301517000 | 1 |

8 Battery Compartment



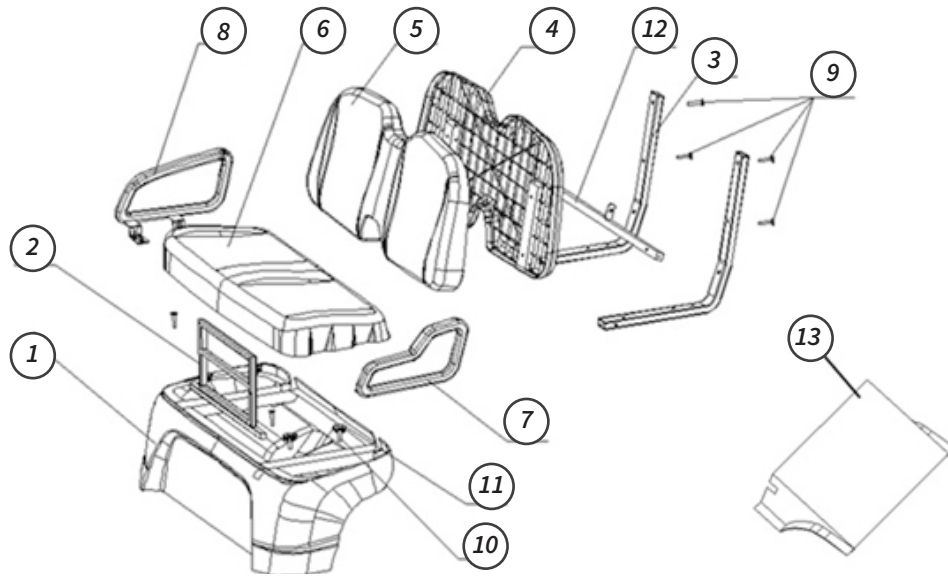
| Item No. | STAR EV Part No. | Description | MPN | Qty |
|----------|------------------|---|---------------|-----|
| 1 | 2BT057 | Battery holding rod, Zinc plated | 2200200029B00 | 2 |
| 2 | 3HD832 | M8, hex bolt, zinc plated | 2200400012000 | 4 |
| 3 | 2BT036 | Battery impact block, black plastic | 2207300286B10 | 2 |
| 4 | | Battery, 6V | 2100101035000 | 1 |
| 5 | 2BT035 | Battery holding block for two side batteries | 2303400082A00 | 2 |
| 6 | 2BT058 | Battery holding rod, steel rod, $\Phi 6/Q235$, zinc plated | 2200200018B10 | 2 |
| 7 | 2BT350 | Battery box for center 6 batteries | 2300901044A00 | 1 |
| 8 | 2BT299 | Battery frame, black powder coated | 2203900050A00 | 1 |
| 9 | Hardware | Hex bolt, M8*20, Zinc plated | 2200100039000 | 2 |
| 10 | Hardware | Flat washer, M8, zinc plated | 2200700023000 | 4 |
| 11 | 3HD816 | Lock nut, M8 A2-70, stainless steel | 2200401003000 | 2 |
| 12 | 3HD816 | Lock nut, M8 A2-70, stainless steel | 2200401003000 | 2 |
| 13 | Hardware | Hex bolt, M8 x 70, zinc plated | 2200100118000 | 2 |
| 14 | Hardware | Flat washer, M8, Zinc plated | 2200700023000 | 4 |

9 Front Seat for 2 and 2+2



| Item No. | STAR EV Part No. | Description | MPN | Qty |
|----------|------------------|--|---------------|-----|
| 1 | 2CS572 | Front seat cushion. Gray | 2501500157A00 | 1 |
| 2 | 2CS077 | Front seat cushion cover | 2300409101A00 | 1 |
| 3 | 2CS072 | Armrest, front seat driver side | 2202600190A00 | 1 |
| 4 | 2CS070 | Armrest, front seat passenger side | 2202600154A00 | 1 |
| 5 | 3HD800 | Hex bolt, M8x30, A2-70, stainless steel | 2200100010000 | 20 |
| 6 | 2CS905 | Seat support frame, black powder coated | 2207201389A00 | 1 |
| 7 | 3HD071 | Screw, counter sunk, M6 x 20, A2-70 | 2200302002000 | 6 |
| 8 | 2HG751 | Seat hinge, bottom, 86 x 50 x 3mm, stainless steel | 2202400114A00 | 2 |
| 9 | 2HG750 | Seat hinge, top, 80 x 72 x 3mm, three $\Phi 6$ counter sunk holes, stainless steel | 2202400113A00 | 2 |
| 10 | 3HD071 | Screw, counter sunk, M6 x 20, A2-70 | 2200302002000 | 4 |
| 10.1 | 2WS476 | Nut, M6, A2-70 stainless steel | 2200401001000 | 4 |
| 11 | Hardware | Hex bolt, M8 x 20, zinc plated | 2200100039000 | 4 |
| 11.1 | Hardware | Flat washer, M8, zinc plated | 2200700023000 | 8 |
| 11.2 | 3HD816 | Lock nut, M8, A2-70 stainless steel | 2200401003000 | 4 |
| 12 | 2SB087 | Seatbelt assembly, hub rod length L=200mm | 2501304023000 | 2 |
| 12.1 | 3HD109 | Hex bolt, M10 x 35, A2-70 stainless steel | 2200100164000 | 4 |
| 12.2 | 3HD120 | Hex nut, M10, stainless steel | 2200400005000 | 4 |
| 12.3 | 3HD116 | Spring washer, M10, Stainless steel | 2200701014000 | 4 |
| 12.4 | 3HD122 | Flat washer, M10, A200 stainless steel | 2200700029000 | 8 |

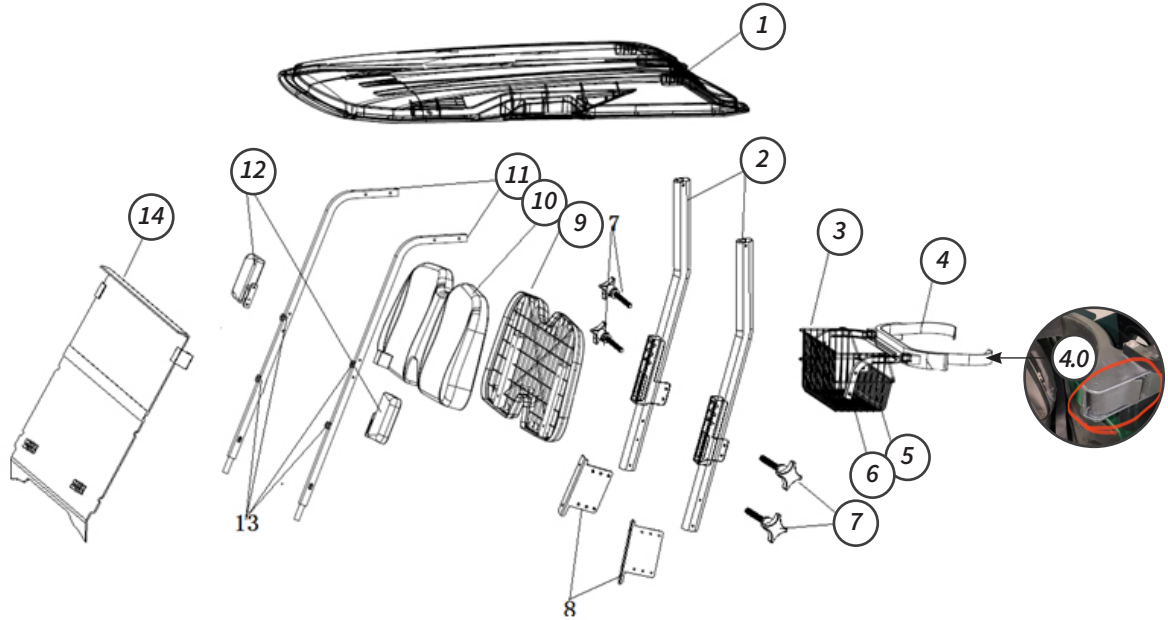
9-1 Podseat for 4 and 4+2



| Item No. | STAR EV Part No. | Description | MPN | Qty |
|----------|------------------|--|--------------------|-----|
| 1 | 2PS710 | Seat Pod - White Diamond Pearl for Sirius | 2400501223A00-WDP | |
| | 2PS711 | Seat Pod - Torch Red for Sirius | 2400501223A00-TR | |
| | 2PS712 | Seat Pod - Indigo Blue for Sirius | 2400501223A00-IB | |
| | 2PS713 | Seat Pod - Desert Bloom Metallic for Sirius | 2400501223A00-DBM | |
| | 2PS714 | Seat Pod- Light Argent Metallic for Sirius | 2400501223A00-LAM | |
| | 2PS715 | Seat Pod - Red Pearl for Sirius | 2400501223A00-RP | |
| | 2PS716 | Seat Pod - Ocean Mist Metallic for Sirius | 2400501223A00-OMM | |
| | 2PS717 | Seat Pod - Carbon Flash Metallic for Sirius | 2400501223A00-CFM | |
| | 2PS719 | Seat Pod- SPECIAL COLOR for Sirius | 2400501223A00-SPEC | |
| 2 | 2PS069 | Controller Mounting Support | 2207201932A00 | 1 |
| 3 | 2PS070 | Backrest Support Bracket | 2207201659A00 | 2 |
| 4 | 2CS073 | Black Plastic COVER for Back Rest on Front or Flip Seat-Sirius | 2501506025A00 | 1 |
| 4-1 | 3HD800 | Hexagon Bolt | 2200100010000 | 12 |
| 5 | 2CS571 | Cushion - Front Backrest (Gray) for Sirius | 2501504073A00 | 1 |
| 6 | 2CS573 | Pod Seat Bottom Cushion | 2501500183A00 | 1 |
| 7 | 2CS072 | Armrest - Front seat DRIVER side -Sirius (3 hole mounting bracket) | 2202600190A00 | 1 |
| 8 | 2CS070 | Armrest - Front seat PASSENGER Sirius (3 hole mounting bracket) | 2202600154A00 | 1 |
| 9-1 | 3HD800 | Hexagon bolt | 2200100010000 | 12 |
| 9-2 | 3HD814 | Flat washer | 2200700021000 | 12 |
| 9-3 | 3HD816 | Spring washer | 2200701012000 | 12 |

| | | | | |
|------|--------|--|---------------|---|
| | | | | |
| 10 | 2PS140 | Plastic ball only for seats for Sirius | 2301700017000 | 2 |
| 11 | 2PS145 | Plastic Base or the ball on the Pod seat for Sirius | 2200001301000 | 2 |
| 12 | 2SB099 | BAR - Seatbelt bar for Sirius POD ONLY | 2207201874A00 | 1 |
| 12-1 | 3HD806 | Hexagon bolt | 2200100099000 | 2 |
| 12-2 | 3HD814 | Flat washer | 2200700021000 | 4 |
| 12-3 | 3HD816 | Nut with non-metallic insert | 2200401003000 | 2 |
| 13 | 2CN919 | COVER for controller on the 4P Sirius (controller in Pod) | 2300800138A00 | 1 |
| 10 | 2PS140 | Plastic ball only for seats for Sirius | 2301700017000 | 2 |
| 11 | 2PS145 | Plastic Base or the ball on the Pod seat for Sirius | 2200001301000 | 2 |
| 12 | 2SB099 | BAR - Seatbelt bar for Sirius POD ONLY | 2207201874A00 | 1 |
| 12-1 | 3HD806 | Hexagon bolt | 2200100099000 | 2 |
| 12-2 | 3HD814 | Flat washer | 2200700021000 | 4 |
| 12-3 | 3HD816 | Nut with non-metallic insert | 2200401003000 | 2 |
| 13 | 2CN919 | COVER for controller on the 4P Sirius (controller in Pod) | 2300800138A00 | 1 |

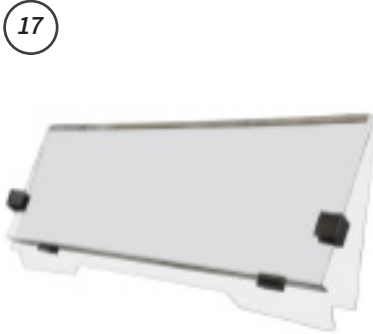
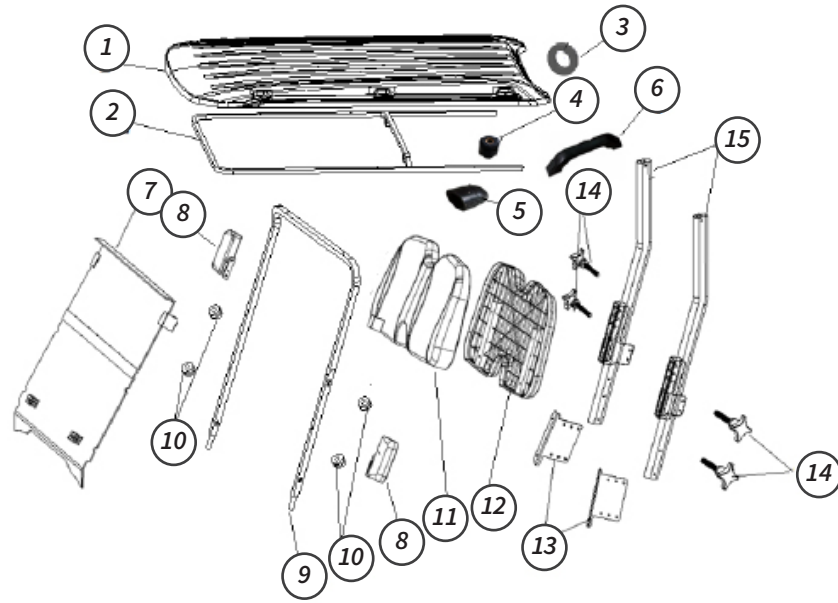
10 Sirius 2 Passenger Roof



| Item No. | STAR EV Part No. | Description | MPN | Qty |
|----------|------------------|---|---------------|-----|
| 1 | 2RF007 | Roof SIRIUS - Default; Grey; 2P | 2400301254A00 | 1 |
| 2 | 2BK170 | Driver side-Rear roof support Aluminum for SIRIUS | 2208300142A20 | 1 |
| | 2BK171 | Passenger side -Rear roof support Aluminum for SIRIUS | 2208300141A20 | 1 |
| 2.1 | 3HD806 | Hex bolt, M8x65 A2-70 stainless steel | 2200100099000 | 2 |
| 2.2 | 3HD816 | Lock nut, M8 A2-70 stainless steel | 2200401003000 | 2 |
| 2.3 | 3HD814 | Flat washer, M8, A200 stainless steel | 2200700021000 | 4 |
| 2.4 | Hardware | Hex Bolt, M10*65 , A2-70 stainless steel | 2200100036000 | 4 |
| 2.5 | 3HD153 | Flat washer, M10 Zinc plated | 2200700026000 | 4 |
| 3 | 2GB172 | Sweater basket, black powder coated | 2208001039A00 | 1 |
| 3.1 | Hardware | Hex screw, M6x45 A2-70 stainless steel | 2200300048000 | 4 |
| 3.2 | Hardware | Flat washer M6 Zinc plated | 2200700099000 | 4 |
| 3.3 | Hardware | Lock washer, M6, Zinc plated | 2200701009000 | 4 |
| 3.4 | Hardware | Hex nut, M6, Zinc plated | 2200400008000 | 4 |
| 4 | 2GB170 | Golf bag holder, including belt | 2303100053000 | 1 |
| 4.0 | 2GB174 | CLIP ONLY for Golf Bag Holder for Sirius | 2200024746000 | 2 |
| 4.1 | Hardware | Hex screw, M8 x 45 | 2200300022000 | 2 |
| 4.2 | 3HD814 | Flat Washer, M8, A200 stainless steel | 2200700021000 | 4 |
| 4.3 | 3HD816 | Lock nut, M8, A2-70 stainless steel | 2200401003000 | 2 |
| 5 | 2GB171 | Bag holder mounting frame, aluminum | 2303100052A00 | 1 |
| 6.1 | Hardware | Hex screw, M8x45, white zinc plated | 2200300022000 | 4 |
| 6.2 | 3HD814 | Flat washer, M8, A200 stainless steel | 2200700021000 | 8 |

| | | | | |
|------|----------|---|----------------------|----|
| 6.3 | 3HD816 | Lock nut, M8, A2-70 stainless steel | 2200401003000 | 4 |
| 7 | 2CS915 | Backrest adjustment knob, M10xL68 | 2700900027000 | 4 |
| 8 | 2CS910 | Backrest supporting frame, Q235/3.0mm steel | 2207301190A00 | 2 |
| 9 | 2CS073 | Backrest cover | 2501506025A00 | 1 |
| 9.1 | 3HD800 | HEX BOLT, M8X30, A2-70 Stainless steel | 2200100010000 | 20 |
| 10 | 2CS571 | Backrest cushion | 2501504073A00 | 1 |
| 11 | 2BC170 | Front roof support, aluminum, powder coated | 2208300144A00 | 2 |
| 11.1 | 3HD109 | Hex bolt, M10x35 A2-70 stainless steel | 2200100164000 | 2 |
| 11.2 | 3HD122 | Flat washer, M10, A200 stainless steel | 2200700029000 | 2 |
| 11.3 | Hardware | Hex screw, M8x45 A2-70 stainless steel | 2200300054000 | 4 |
| 11.4 | 3HD816 | Lock nut, M8 A2-70 stainless steel | 2200401003000 | 4 |
| 11.5 | 2HD814 | Flat washer, M8, A200 stainless steel | 2200700021000 | 8 |
| 12 | 2MR170 | Mirror-Driver Side View with LED indicators on both sides for Sirius (Driver Side) | 2902701124A00-Driver | 1 |
| 12 | 2MR171 | Mirror - Passenger Side View with LED indicators on both sides for Sirius (Passenger Side) | 2902701124A00-Pass | 1 |
| 12.1 | Hardware | Hex Screw, M8*25 Stainless steel | 2200300013000 | 4 |
| 13 | 2WS472 | Windshield holder, black rubber $\Phi 20^* \Phi 14^* 16$, 7mm opening, including $\Phi 10^* \Phi 7^* 14$ steel bushing | 2303900005C00 | 4 |
| 14 | 2WS470 | Windshield, foldable, tinted | 2400700239A00 | 1 |
| 14.1 | 2WS474 | Cross head screw, M6*50 A2-70 stainless steel | 2200304045000 | 4 |
| 14.2 | 2WS475 | Flat washer, M6 A200 stainless steel | 2200700017000 | 4 |
| 14.2 | 2WS475 | Flat washer, M6 A200 stainless steel | 2200700017000 | 4 |
| 14.3 | 2WS476 | Lock nut, M6, A2-70 stainless steel | 2200401001000 | 4 |
| 15 | 2WS024 | Windshield - NEV 1pc GLASS with Frame for Sirius with DOT AS1 Stamp | 2400700318000 | 1 |
| 17 | 2WS065 | Windshield NEV - FLIP for Sirius NEV (D.O.T.) Clear with AS5 DOT STAMP (ST-1-09CDOT) | ST-1-09CDOTX | 1 |
| | 2WS069 | Windshield NEV - FLIP for SIRIUS NEV (D.O.T.) Tinted with AS5 DOT STAMP | | 1 |
| 18 | 2WP060 | Windshield - Wiper - Motor "ZD1331-25" for Sirius | 2101902080000 | 1 |
| 19 | 2WP061 | BLADE for Windshield wiper (length 620mm) for Sirius | 2303600023000 | 1 |
| 20 | 2WP062 | Cover - UPPER & LOWER COVER for Wiper Motor on Sirius | 300806017000 & 8000 | 1 |

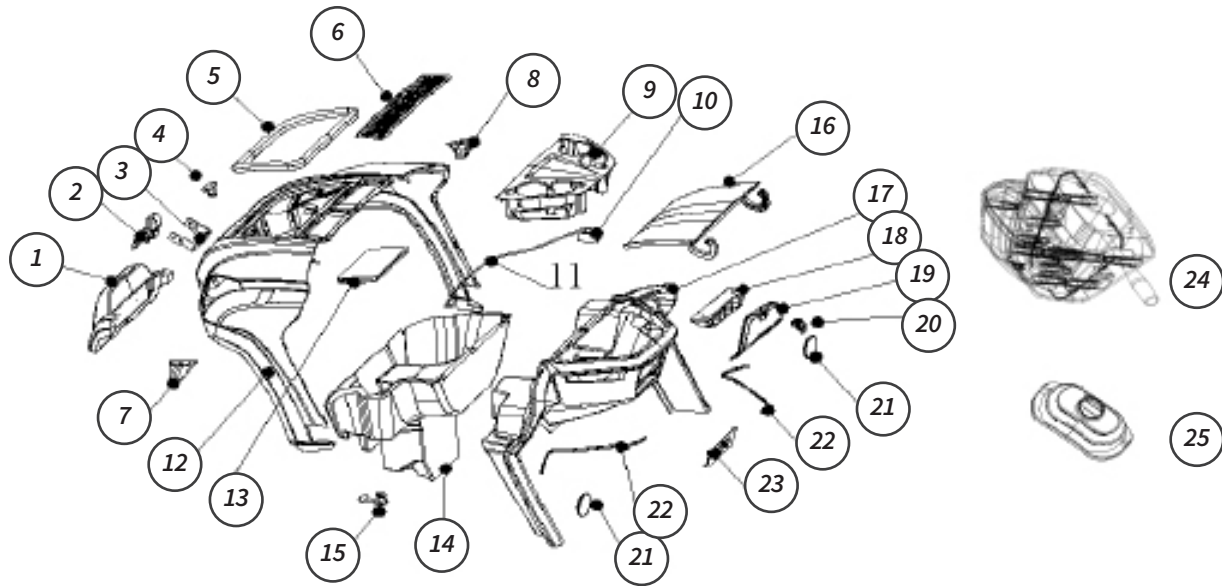
11 Sirius 2+2, 4 and 4+2 Roof



| Item No. | STAR EV Part No. | Description | MPN | Qty |
|----------|------------------|---|----------------------|-----|
| 1 | 2RF030 | Sirius 2+2 roof, WHITE DIAMOND PEARL | 2205002074000 | |
| | 2RF031 | Sirius 2+2 roof, TORCH RED | 2205002081000 | |
| | 2RF032 | Sirius 2+2 roof, INDIGO BLUE | 2205002075000 | |
| | 2RF033 | Sirius 2+2 roof, DESERT BLOOM | 2205002079000 | |
| | 2RF034 | Sirius 2+2 roof, LIGHT ARGENT | 2205002082000 | |
| | 2RF035 | Sirius 2+2 /4+2 roof, BASQUE RED PEARL | 2205001827A00-RP | |
| | 2RF036 | Sirius 2+2 roof, OCEAN MIST | 2205002080000 | |
| | 2RF037 | Sirius 2+2 roof, CARBON FLASH | 2205002076000 | |
| | 2RF039 | Sirius 2+2 / 4+2 roof, SPECIAL COLOR | 2205001827A00-SPEC | |
| | 2RF070 | Sirius 4+2 roof, WHITE DIAMOND PEARL | 2205002077000 | |
| | 2RF071 | Sirius 4+2 roof, TORCH RED | 2205002086000 | |
| | 2RF072 | Sirius 4+2 roof, INDIGO BLUE | 2205002083000 | |
| | 2RF073 | Sirius 4+2 roof, DESERT BLOOM | 2205002084000 | |
| | 2RF074 | Sirius 4+2 roof, LIGHT ARGENT | 2205002087000 | |
| | 2RF075 | Sirius 4+2 roof, RED PEARL | 2205001824A00-RP | |
| | 2RF076 | Sirius 4+2 roof, OCEAN MIST | 2205002085000 | |
| | 2RF077 | Sirius 4+2 roof, CARBON FLASH | 2205002078000 | |
| 2 | 2UB170 | 2+2 Roof Halo, 6061 Aluminum, black powder painted | 2205001752A00 | 1 |
| | 2UB171 | Roof - U Support (Aluminum) for 4 Long Sirius | 2205001761A00 | |
| | 2UB172 | Roof - U Support (Aluminum) for 4 +2 Sirius | 2205001829A00 | |
| 2.1 | Hardware | Hex screw, M8 x 70 SS | 2200301007000 | 8 |
| 2.2 | 3HD816 | Lock Nut, M8 A2-70 SS | 2200401003000 | 8 |
| 2.3 | 3HD814 | Flat Washer, M8 A200 SS | 2200700021000 | 16 |
| 3 | 2RF997 | Rubber grommet, Φ40*Φ11*10 mm | 2301903028000 | 8 |
| 4 | 2BS751 | Rubber insert, Φ26*Φ12*28, with Φ12*Φ8*26 zinc plated steel bushing | 2301903013C00 | 8 |
| 5 | | M8 rubber cover with steps | 2301902009000 | 8 |
| 6 | 2RF040 | Roof grab handle for 3 sets for 2+2 and 4 Long, 5 sets for 4+2 | 2902700109000 | 3 |
| 7 | 2WS470 | Front foldable windshield | 2400700239A00 | 1 |
| 7.1 | 2WS474 | Screw, M6x50 A2-70 SS | 2200304045000 | 4 |
| 7.2 | 2WS475 | Flat washer, M6 A200 SS | 2200700017000 | 8 |
| 7.3 | 2WS476 | Lock nut, M6 A2-70 SS | 2200401001000 | 4 |
| 7.4 | 3HW306 | Rubber cover M6 | 2301902003000 | 4 |
| 8 | 2MR170 | Mirror-Driver Side View with LED indicators on both sides for Sirius | 2902701124A00-Driver | 1 |
| 8.1 | Hardware | Hex screw, M8x25, SS | 2200300013000 | 4 |
| 8 | 2MR171 | Mirror - Passenger Side View with LED indicators on both sides for Sirius | 2902701124A00-Pass | 1 |

| | | | | |
|------|----------|--|----------------------|----|
| 9 | 2BC180 | 2+2 front roof support, aluminum 6061, black powder coated | 2205001753A00 | 1 |
| 9.1 | 3HD109 | Hex bolt, M10 x 35, A2-70 SS | 2200100164000 | 2 |
| 9.2 | 3HD122 | Flat washer, M10, A200 SS | 2200700029000 | 2 |
| 9.3 | 3HD806 | Hex bolt, M8x65 A2-70 SS | 2200100099000 | 2 |
| 9.4 | 3HD816 | Lock nut, M8, A2-70 SS | 2200401003000 | 2 |
| 9.5 | 3HD814 | Flat washer, M8, A200 | 2200700021000 | 4 |
| 10 | 2WS472 | Windshield holder, rubber $\Phi 20 \times \Phi 14 \times 16$, 7mm slot, with $\Phi 10 \times \Phi 7 \times 14$ steel Tube | 2303900005C00 | 4 |
| 11 | 2CS571 | Backrest cushion for Front / Flip | 2501506025A00 | 1 |
| 12 | 2CS073 | Backrest cushion cover | 2501506025A00 | 1 |
| 12.1 | 3HD800 | Hex bolt, M8x30 A2-70 SS | 2200100010000 | 12 |
| 13 | 2CS910 | Backrest mounting brackets, Q235/3.0mm steel | 2207301190A00 | 2 |
| 14 | 2CS915 | Backrest adjustment knob, M10 x L68 | 2700900027000 | 1 |
| 15 | 2BK170 | Driver side - Rear roof support Aluminum for 2P and 4P Sirius | 2208300142A00 | 1 |
| | 2BK171 | Passenger side -Rear roof support Aluminum for 2P and 4P Sirius | 2208300141A00 | 1 |
| | 2BK170 | DRIVER side - Rear roof support Aluminum for 2+2 and 4+2 Sirius | 2208300171A00 | 1 |
| | 2BK171 | PASSENGER roof support Aluminum for 2+2 and 4+2 Sirius | 2208300130A00 | 1 |
| 15.1 | 3HD805 | Hex bolt, M8x55 A2-70 SS | 2200100013000 | 2 |
| 15.2 | 2HD816 | Lock nut, M8 A2-70 SS | 2200401003000 | 2 |
| 15.3 | 2HD814 | Flat washer, M8, A200 SS | 2200700021000 | 4 |
| 15.4 | Hardware | Hex bolt, M10x65, A2-70 SS | 2200100036000 | 4 |
| 15.5 | 3HD153 | Flat washer, M10 Zinc plated | 2200700026000 | 4 |
| 16 | 2WS024 | Windshield - NEV 1pc GLASS with Frame for Sirius with DOT AS1 Stamp | 2400700318000 | 1 |
| 16-1 | 2WS028 | Holding screws- one peice GLASS Windsheild for Sirius | 2302605001000 | 1 |
| 17 | 2WS065 | Windshield NEV - FLIP for Sirius NEV (D.O.T.) Clear with AS5 DOT STAMP (ST-1-09CDOT) | ST-1-09CDOTX | 1 |
| | 2WS069 | Windshield NEV - FLIP for SIRIUS NEV (D.O.T.) Tinted with AS5 DOT STAMP | | 1 |
| | 2WS471 | Windshield sash for Sirius | 2303900005C00 | 1 |
| 18 | 2WP060 | Windshield - Wiper - Motor "ZD1331-25" for Sirius | 2101902080000 | 1 |
| 19 | 2WP061 | BLADE for Windshield wiper (length 620mm) for Sirius | 2303600023000 | 1 |
| 20 | 2WP062 | Cover - UPPER & LOWER COVERfor Wiper Motor on Sirius | 2300806017000 & 8000 | 1 |

12 Front Body

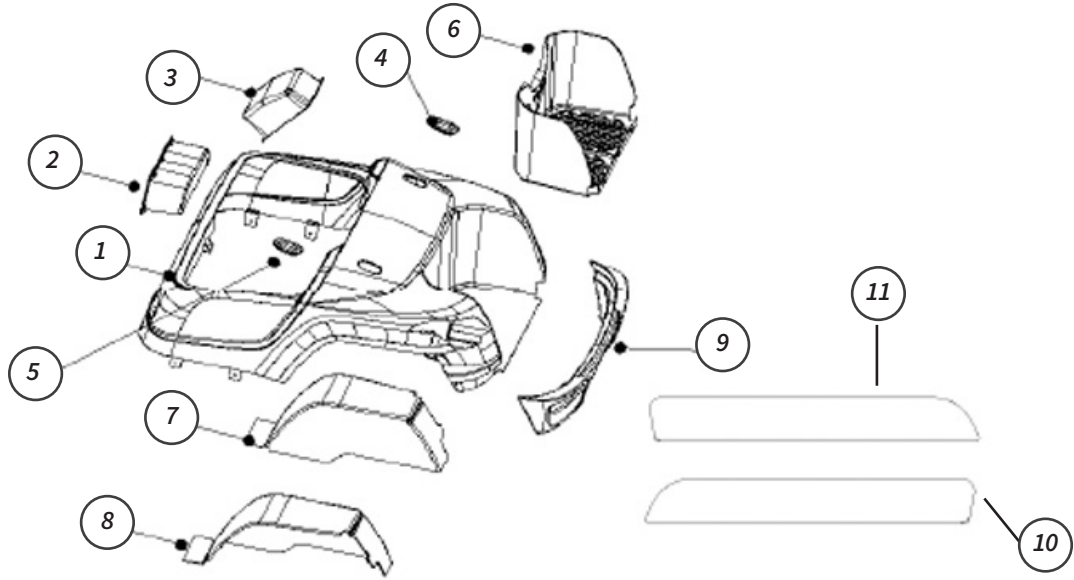


| Item No. | STAR EV Part No. | Description | MPN | Qty |
|----------|------------------|---|-------------------|-----|
| 1 | 2BU700 | Front bumper, blow molded, with M8 inserts | 2206400036A00 | 1 |
| 1.1 | Hardware | Hex bolt, M8x12 Zinc plated | 2200100177000 | 4 |
| 1.2 | 3HD841 | Flat washer, M8 Zinc plated | 2200700081000 | 4 |
| 2 | 2TK410 | Hood latch, 12V | 2202000076000 | 1 |
| 2.1 | Hardware | Hex bolt, M6x20, stainless steel | 2200005284000 | 2 |
| 2.2 | 2WS476 | Lock nut, M6 A2-70 SS | 2200401001000 | 2 |
| 3 | | Hood latch mounting plate, 4mm Q235A | 2207301384A00 | 1 |
| 3.1 | 3HD800 | Hex bolt, M8*30 A2-70 SS | 2200100010000 | 4 |
| 3.2 | Hardware | Hex nut, M8,SS304 | 1204901008000 | 4 |
| 3.3 | 3HD814 | Flat washer, M8,A200 SS | 2200700021000 | 4 |
| 4 | 2TK412 | Hood latch U-bolt | 2202000077000 | 1 |
| 4.1 | 3HD628 | M6 clip nut, 1MM | 2200406071000 | 2 |
| 4.2 | Hardware | Hex bolt, M6x16, SS304 | 1205201026000 | 2 |
| 5 | 2TK205 | Hood seal, black, rubber | 2302605215A00 | 2 |
| 6 | 2DB715 | Front body decorative insert | 2302101560A00 | 1 |
| 7 | 2BC900 | Rubber cover for front roof support, textured, driver side | 2301900189A00 | 1 |
| 8 | 2BC901 | Rubber cover for front roof support, textured, passenger side | 2301900190A00 | 1 |
| 9 | 2CP710 | Cupholder - White Diamond Pearl for Sirius dash | 2303301031000 | 1 |
| | 2CP711 | Cupholder - Torch Red for Sirius dash | 2303301023A00-TR | |
| | 2CP712 | Cupholder - Indigo Blue for Sirius dash | 2303301023A00-IB | |
| | 2CP713 | Cupholder - Desert Bloom Metallic for Sirius dash | 2303301023A00-DBM | |

| | | | | |
|--------|---------------------------------------|---|-------------------|---|
| 9 | 2CP714 | Cupholder - Light Argent Metallic for Sirius dash | 2303301023A00-LAM | 1 |
| | 2CP715 | Cupholder - Basque Red Pearl for Sirius dash | 2303301023A00-BRP | |
| | 2CP716 | Cupholder - Ocean Mist Metallic for Sirius dash | 2303301023A00-OMM | |
| | 2CP717 | Cupholder - Carbon Flash Metallic for Sirius | 2303301023A00-CFM | |
| 10 | 2TK401 | Hood manual release lever, 82191-50E00 | 2206100091000 | 1 |
| 11 | 2TK400 | Hood manual release cable, 82160-77A00 | 2206902002000 | 1 |
| 12 | 2BO710 | Front Body - White Diamond Pearl for Sirius | 2302100110A00-WDP | 1 |
| | 2BO711 | Front Body - Torch Red for Sirius | 2302100110A00-TR | |
| | 2BO712 | Front Body - Indigo Blue for Sirius | 2302100110A00-IB | |
| | 2BO713 | Front Body - Desert Bloom Metallic for Sirius | 2302100110A00-DBM | |
| | 2BO714 | Front Body - Light Argent Metallic for Sirius | 2302100110A00-LAM | |
| | 2BO715 | Front Body - Red Pearl for Sirius | 2302100110A00-RP | |
| | 2BO716 | Front Body - Ocean Mist Metallic for Sirius | 2302100110A00-OMM | |
| | 2BO717 | Front Body - Carbon Flash Metallic for Sirius | 2302100110A00-CFM | |
| 2BO719 | Front Body - SPECIAL COLOR for Sirius | 2302100110A00-SPEC | | |
| 12.1 | Hardware | Hex bolt, M6x12 zinc plated | 2200100336000 | 3 |
| 12.2 | Hardware | Flat washer, M6 Zinc plated | 2200700099000 | 3 |
| 12.3 | 3HD628 | M6 clip nut, 1MM | 2200406071000 | 3 |
| 13 | 2TK206 | Front storage trunk cover | 2300406939A00 | 1 |
| 14 | 2TK209 | Front storage trunk | 2208701039A00 | 1 |
| 15 | 2TK208 | Drainage insert for front trunk | 2304800009000 | 1 |
| 16 | 2TK210 | Sirius front trunk, WHITE DIAMOND PEARL | 2300406956000 | 1 |
| | 2TK211 | Sirius front trunk, TORCH RED | 2300406962000 | |
| | 2TK212 | Sirius front trunk, INDIGO BLUE | 2300406960000 | |
| | 2TK213 | Sirius front trunk, DESERT BLOOM METALLIC | 2300406958000 | |
| | 2TK214 | Sirius front trunk, LIGHT ARGENT | 2300406963000 | |
| | 2TK215 | Sirius front trunk, BASQUE RED PEARL | 2300406965000 | |
| | 2TK216 | Sirius front trunk, OCEAN MIST METALLIC | 2300406961000 | |
| | 2TK217 | Sirius front trunk, CARBON FLASH METALLIC | 2300406959000 | |
| 2TK219 | Sirius front trunk, SPECIAL COLOR | 2300406938A00-SPEC | | |
| 16.1 | Hardware | Screw, M5*40, SS | 2200303003000 | 2 |
| 16.2 | Hardware | Clip nut, 1MM | 2200406071000 | 2 |
| 16.3 | Hardware | Flat washer, M5 SS304 | 2200700010000 | 4 |
| 17 | 2DB720 | Dashboard | 2301600025A00 | 1 |
| 17.1 | Hardware | Self tapping screw, M8*25 C-H A2-70 SS | 2200500065000 | 4 |
| 17.2 | Hardware | Flat washer, M6 A200 SS | 2200700015000 | 8 |
| 18 | 2DB716 | Golf ball holder | 2206601004A00 | 1 |
| | | | | |

| | | | | |
|------|----------|---|---------------|---|
| 18.1 | Hardware | Self tapping screw, M4*12, zinc plated | 1205210102000 | 2 |
| 19 | 2GV115 | Glove box cover | 2300806180A00 | 1 |
| 19.1 | | Rivet, M5*15 black | 2201000011000 | 3 |
| 20 | 2GV601 | Glove box locker | 2202000012000 | 1 |
| 21 | 2DB750 | Cover insert, 75mm diameter, to cover headlight access | 2301906080000 | 2 |
| 22 | 2DB714 | Dash decoration insert, 1 set, left and right side, PVC chrome | 2302605256A00 | 2 |
| 23 | 2DC700 | 4 Hole plastic panel for F&R, USB, Hi/Lo & Power outlet on the Sirius Dashboard | 2300400608A00 | 1 |
| 24 | 2DB740 | Combo switch cover including instrument display cover | 2300800103A00 | 1 |
| 24.1 | Hardware | Self tapping screw, ST4.8*25 C-H A2-70 SS | 2200500065000 | 4 |
| 24.2 | Hardware | Self tapping screw, ST4.8*20 SS | 2200500007000 | 3 |
| 24.3 | 2WS476 | Lock nut, M6 A2-70 SS | 2200401001000 | 2 |
| 24.4 | 2WS475 | Flat washer, M6 A200 SS | 2200700017000 | 6 |
| 25 | 2SW591 | Combo switch rubber insert | 2301900194A00 | 1 |

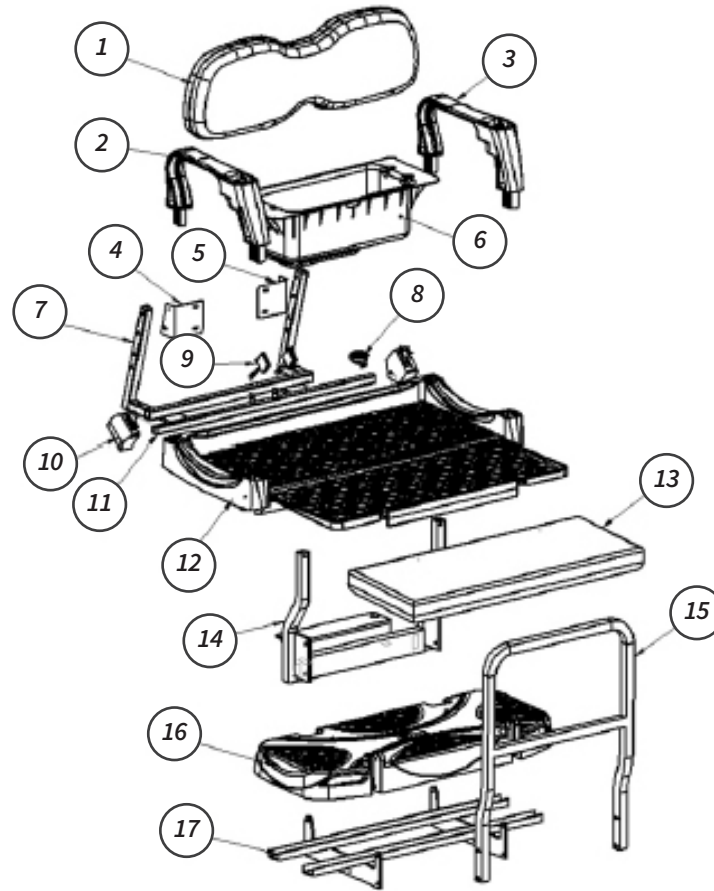
13 Rear Body



| Item No. | STAR EV Part No. | Description | MPN | Qty |
|----------|------------------|--|-------------------|-----|
| | | Rear body | 2900700150000 | 1 |
| 1 | 2BY710 | Rear Body - White Diamond Pearl for Sirius | 2401200862000 | 1 |
| | 2BY711 | Rear Body - Torch Red for Sirius | 230220011A000-TR | |
| | 2BY712 | Rear Body - Indigo Blue for Sirius | 230220011A000-IB | |
| | 2BY713 | Rear Body - Desert Bloom Metallic for Sirius | 230220011A000-DBM | |
| | 2BY714 | Rear Body - Light Argent Metallic for Sirius | 230220011A000-LAM | |
| | 2BY715 | Rear Body - Red Pearl for Sirius | 230220011A000-RP | |
| | 2BY716 | Rear Body - Ocean Mist Metallic for Sirius | 230220011A000-OMM | |
| | 2BY717 | Rear Body - Carbon Flash Metallic for Sirius | 230220011A000-CFM | |
| 1.1 | | Hex bolt, M6x45 A2-70 SS | 2200100044000 | 4 |
| 1.2 | 3HD629 | Flat washer, M6 A200 SS | 2200700015000 | 8 |
| 1.3 | Hardware | Lock washer, M6, SS | 2200701010000 | 4 |
| 2 | 2TK075 | Rear storage trunk | 2300800104A00 | 1 |
| 3 | 2CN918 | Controller cover box | 2300800104A00 | 1 |
| 5 | 2BK900 | Rubber cover for rear roof support, black, textured (DRIVER) | 2301900187A00 | 1 |
| 4 | 2BK901 | Rubber cover for rear roof support, black, textured | 2301900188A00 | 1 |
| 6 | 2GB019 | Bag well insert | 2301900165A00 | 1 |
| 6.1 | | Plastic nail, Φ17.5*23mm | 2301700001000 | 10 |
| 7 | 2FN714 | Rear fender well, passenger side | 2302305108A00 | 1 |
| 8 | 2FN713 | Rear fender well, driver side | 2302305107A00 | 1 |
| 8.1 | | Self tapping screw, M5*20 with rubber washer | 2200307005000 | 6 |
| 9 | 2BR750 | Rear bumper with M8 inserts | 2301800041A00 | 1 |

| | | | | |
|-----|--------|---|---------------|---|
| 9.2 | | Counter sunk screw, M8*18 SS | 2200302011000 | 3 |
| 10 | 2DC710 | Rear reflective tape, driver side, 3M 983-71es | 2500909046A00 | 1 |
| 11 | 2DC711 | Rear reflective tape, passenger side, 3M 983-71es | 2500909047A00 | 1 |

14 Ultimate Rear Flip Seat (Sirius 2+2 and 4+2)

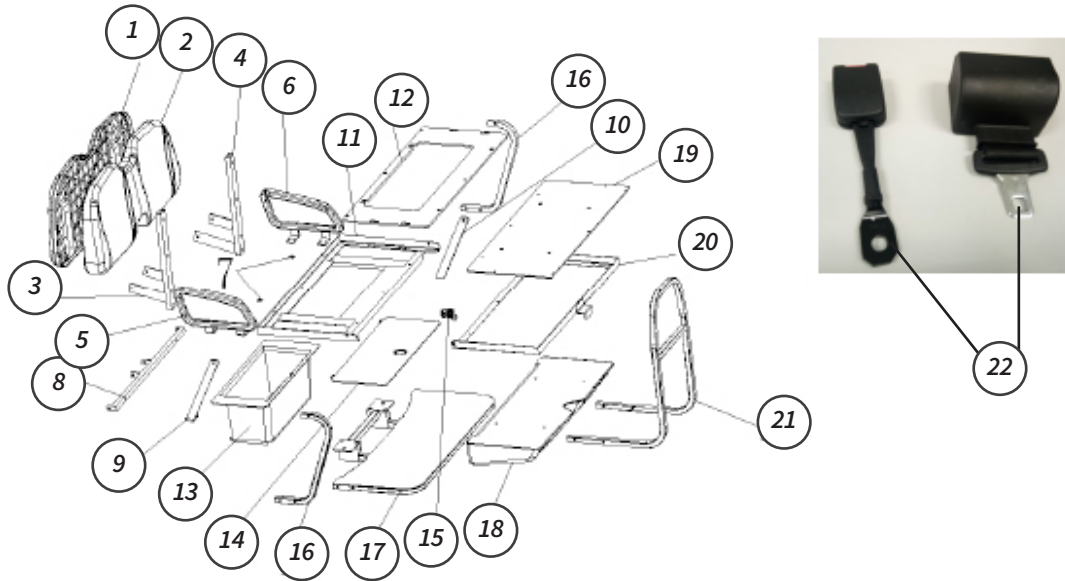


| Item No. | STAR EV Part No. | Description | MPN | Qty |
|----------|------------------|---|--------------|-----|
| 1-17 | 2FS183 | "FRAME ONLY for Ultimate Flip Seat - SIRIUS *must order # 1, 13 & 6 | | 1 |
| 1 | 2FS181 | SIRIUS Gray BACK REST CUSHION for Ultimate Flip Seat | | 1 |
| 1A | 2CS651 | Cushion - Ultimate Flip Back (TAN with BLACK) for SIRIUS Premium | STA01-004-01 | 1 |
| 1B | 2CS671 | Cushion - Ultimate Flip Back (BLACK with TAN) for SIRIUS Premium | STA01-004-02 | 1 |
| 1.1 | | M6 x 30mm lg. Hex bolt | | 4 |
| 1.2 | | M6 flat washer | | 4 |
| 1.3 | | M6 lock washer | | 4 |
| 2 | 2FP852 | Driver Side ARM REST for Sirius Ultimate Flip Seat | | 1 |
| 2.1 | | M6 x 60mm lg. Hex bolt | | 2 |
| 2.2 | | M6 flat washer | | 2 |
| 2.3 | | M6 lock washer | | 2 |
| 3 | 2FP853 | Passenger Side ARM REST for Sirius Ultimate Flip Seat | | 1 |
| 3.1 | | M6 x 60mm lg. Hex bolt | | 2 |
| 3.2 | | M6 flat washer | | 2 |

| | | | | |
|--------|--------|--|---------------|---|
| 3.3 | | M6 lock washer | | 2 |
| 4 | 2FP854 | Driver Side back rest BRACKET for Sirius Ultimate Flip Seat (#4 in catalog) | | 1 |
| 4.1 | | M8 x 50mm lg. Hex bolt | | 2 |
| 4.2 | | M8 flat washer | | 2 |
| 4.3 | | M8 lock nut | | 2 |
| 5 | 2FP855 | Passenger Side back rest BRACKET for Sirius Ultimate Flip Seat (#5 in catalog) | | 2 |
| 5.1 | | M8 x 50mm lg. Hex bolt | | 2 |
| 5.2 | | Seat back rest bracket rh | | 1 |
| 5.2 | | M8 flat washer | | 2 |
| 5.3 | | M8 lock nut | | 2 |
| 6 | 2FS184 | STORAGE BIN for Ultimate Flip Seat Kit | | 1 |
| 6.1 | | M6 self drilling pan hd screw | | 4 |
| 7 | 2FP857 | Platform support FRAME for Sirius Ultimate Flip Seat | | 1 |
| 7.1 | | M8 x 50mm lg. Hex bolt | | 4 |
| 7.2 | | M8 flat washer | | 8 |
| 7.3 | | M8 lock nut | | 4 |
| 7.4 | | M8 x 50mm lg. Hex bolt | | 4 |
| 8 | | Lock assembly with and key | | 1 |
| 9 & 10 | 2SB087 | Seat belt receiver & retractor | | 2 |
| 11 | 2SB092 | BAR - Seatbelt bar for Sirius for FLIP seat ONLY | 2205001750A00 | 1 |
| 12 | 2FP856 | Plastic flip frame assembly | | 1 |
| 12.1 | | M6 x 40mm oval head screw | | 2 |
| 12.2 | | M6 flat washer | | 4 |
| 12.3 | | M6 locknut | | 2 |
| 13 | 2FS182 | SIRIUS Gray SEAT BOTTOM CUSHION for Ultimate Flip Seat | | 1 |
| 13A | 2CS652 | Cushion - Ultimate Flip Bottom (TAN with BLACK) for SIRIUS Premium | STA01-005-01 | 1 |
| 13B | 2CS672 | Cushion - Ultimate Flip Bottom (BLACK with TAN) for SIRIUS Premium | STA01-005-02 | 1 |
| 13.1 | | M6 x 30mm lg. Flat head screw | | 6 |
| 13.2 | | M6 flat washer | | 6 |
| 13.3 | | M6 lock washer | | 6 |
| 14 | 2FP858 | Footrest SUPPORT FRAME for Sirius Ultimate Flip Seat | | 1 |
| 14.1 | | M10 x 55mm lg. Hex bolt | | 2 |
| 14.2 | | M10 flat washer | | 4 |
| 14.3 | | M10 lock nut | | 2 |

| | | | | |
|------|--------|--|--|---|
| 15 | 2FP861 | Safety GRAB BAR for Sirius Ultimate Flip Seat | | 1 |
| 15.1 | | M6 x 30mm lg. Hex bolt (lower) | | 2 |
| 15.2 | | M6 flat washer | | 2 |
| 15.3 | | M6 lock washer | | 2 |
| 15.4 | | Snap pin (upper) | | 2 |
| 15.5 | | Clevis pin (upper) | | 2 |
| 16 | 2FP859 | FOOTREST / Footplate for Sirius Ultimate Flip Seat | | 1 |
| 17 | 2FP860 | Footplate FRAME for Sirius Ultimate Flip Seat | | 1 |
| 17.1 | | M8 x 35MM Lg. Hex bolt (Botton) | | 4 |
| 17.2 | | M8 Flat Washer | | 8 |
| 17.3 | | M8 Lock nut | | 4 |

14-1 OEM Flip Seat (Sirius 2+2 and 4+2)

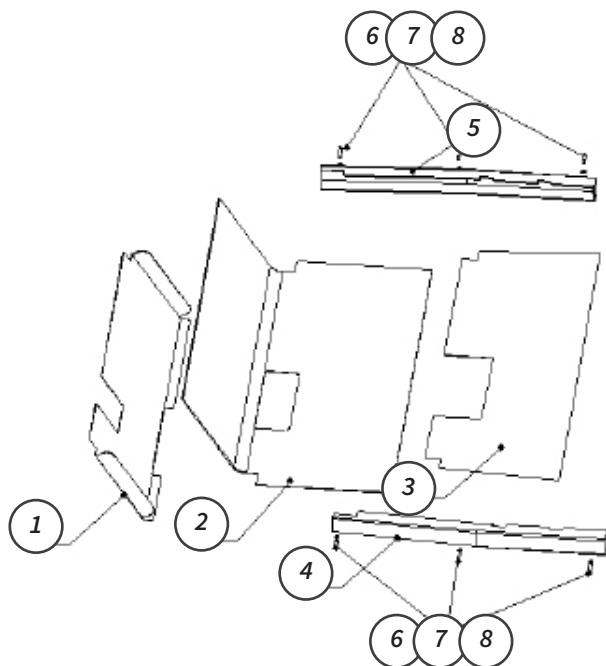


| Item No. | STAR EV Part No. | Description | MPN | Qty |
|----------|------------------|---|----------------|-----|
| 1 | 2CS073 | Backrest cushion cover | 2501506025A00 | 1 |
| 1.1 | 3HD800 | Hex bolt, M8x30 A2-70 SS | 2200100010000 | 8 |
| 2 | 2CS571 | Backrest cushion | 2501504073A00 | 1 |
| 3 | 2FP803 | Flip seat backrest support, driver side: Sirius OEM FLIP SEAT | 2207201548A00 | 1 |
| 3.1 | 3HD806 | Hex bolt, M8x65 A2-70 SS | 2200100099000 | 4 |
| 3.2 | 3HD802 | Hex bolt, M8x45 A2-70 SS | 2200100103000 | 6 |
| 3.3 | Hardware | Hex bolt, M8x25 A2-70 SS | 2200100162000 | 2 |
| 3.4 | 3HD814 | Flat washer, M8, A200 SS | 2200700021000 | 20 |
| 3.5 | 3HD816 | Nut, M8 A2-70 SS | 2200401003000 | 8 |
| 4 | 2FP804 | Flip seat backrest support, passenger side: Sirius OEM FLIP SEAT | 2207201549A00 | 1 |
| 5 | 2CS074 | Flip seat arm rest, driver side | 2202600153A00 | 1 |
| 6 | 2CS075 | Flip seat arm rest, passenger side | 2202600202A00 | 1 |
| 6.1 | Hardware | Hex screw, M8x30 A2-70 | 2200301022000 | 4 |
| 6.2 | 2HD814 | Flat washer, M8,A200 SS | 2200700021000 | 4 |
| 6.3 | 2HD816 | Nut, M8 A2-70 SS | 2200401003000 | 4 |
| 7 | 2HG700 | Hinge, 25x25x0.6mm SS (for Flip seat access / storage panel) | 22002200031000 | 2 |
| 7.1 | Hardware | Screws, M3x8 | 1205209002000 | 4 |
| 7.2 | Hardware | Nut, M3 SS | 2200400016000 | 4 |
| 7.3 | Hardware | Self tapping screw, ST2.9x13, A2-70 SS | 2200500008000 | 4 |
| 8 | 2SB092 | BAR - Seatbelt bar for Sirius for FLIP seat ONLY | 2205001750A00 | 1 |
| 8.1 | 3HD109 | Hex bolt, M10x35 A2-70 SS | 2200100164000 | 4 |

| | | | | |
|------|----------|---|---------------|----|
| 8.2 | 3HD120 | Hex nut, M10, SS | 2200400005000 | 4 |
| 8.3 | 3HD116 | Spring washer, M10 SS | 2200701014000 | 4 |
| 8.4 | 3HD122 | Flat washer, M10, A200 | 2200700029000 | 8 |
| 9 | 2FP810 | Flip seat bottom support frame, driver side: Sirius OEM FLIP SEAT | 2207201553A00 | 1 |
| 9.1 | 3HD800 | Hex bolt, M8x30 A2-70 SS | 2200100010000 | 2 |
| 9.2 | 3HD814 | Flat washer, M8, A200 SS | 2200700021000 | 4 |
| 9.3 | 3HD816 | Nut, M8 A2-70 SS | 2200401003000 | 2 |
| 10 | 2FP811 | Flip seat bottom support frame, passenger side: Sirius OEM FLIP SEAT | 2207201554A00 | 1 |
| 11 | 2FP805 | Flip seat frame :Sirius OEM FLIP SEAT | 2207201550A00 | 1 |
| 12 | 2FP800 | Flip seat stationary board, PVC: Sirius OEM FLIP SEAT | 2207301317A00 | 1 |
| 12.1 | 3HD600 | Bolt, counter sunk, M6x20 10.9 Zinc plated | 2200301141000 | 6 |
| 12.2 | 3HD612 | Acorn nut, M6 A2-70 SS | 2200402003000 | 6 |
| 12.3 | 2HD614 | Flat washer, M6 304SS | 2200700088000 | 6 |
| 13 | 2TK070 | Flip seat storage trunk | 2401016011A00 | 1 |
| 13.1 | Hardware | Self tapping screw, ST4.2x25, black | 2200300068000 | 4 |
| 14 | 2TK072 | Flip seat storage trunk cover, PVC | 2300806215A00 | 1 |
| 15 | 2TK073 | LOCK -Flip seat trunk opener, 60 mm x 35 mm | 2209400072000 | 1 |
| 16 | 2HD806 | Hex bolt, M8x65 A2-70 SS | 2200100099000 | 2 |
| 16.1 | 2HD806 | Hex bolt, M8x65 A2-70 SS | 2200100099000 | 4 |
| 16.2 | 3HD816 | Lock nut, M8 A2-70 SS | 2200401003000 | 4 |
| 16.3 | 3HD814 | Flat washer, M8, A200 SS | 2200700021000 | 8 |
| 17 | 2FP807 | Foot board assembly: Sirius OEM FLIP SEAT | 2206200207A00 | 1 |
| 17.1 | 3HD801 | Hex bolt, M8x35 A2-70 SS | 2200100066000 | 6 |
| 17.2 | 3HD814 | Flat washer, M8, A200 SS | 2200700021000 | 8 |
| 17.3 | 3HD816 | Lock nut, M8 A2-70 SS | 2200401003000 | 2 |
| 18 | 2CS076 | Flip seat BOTTOM cushion | 2501500171A00 | 1 |
| 18.1 | 3HD800 | Hex bolt, M8x30 A2-70 SS | 2200100010000 | 4 |
| 19 | 2FP801 | Plastic flip board, PVC: Sirius OEM FLIP SEAT | 2207301318A00 | 1 |
| 19.1 | Hardware | Hex screw, M6x12 A2-70 SS | 2200300019000 | 10 |
| 19.2 | 3HD612 | Acorn nut, M6 A2-70 | 2200402003000 | 10 |
| 20 | 2FS170 | Flip frame | 2207201551A00 | 1 |
| 20.1 | 3HD805 | Hex bolt, M8 x 55 A2-70 SS | 2200100013000 | 2 |
| 20.2 | 3HD816 | Lock nut, M8 A2-70 SS | 2200401003000 | 2 |
| 20.3 | 3HD814 | Flat washer, M8, A200 SS | 2200700021000 | 4 |
| 21 | 2FP808 | Flip seat safety grab handle: Sirius OEM FLIP SEAT | 2202600188A00 | 1 |
| 21.1 | 3HD802 | Hex bolt, M8x45 A2-70 SS | 2200100103000 | 4 |

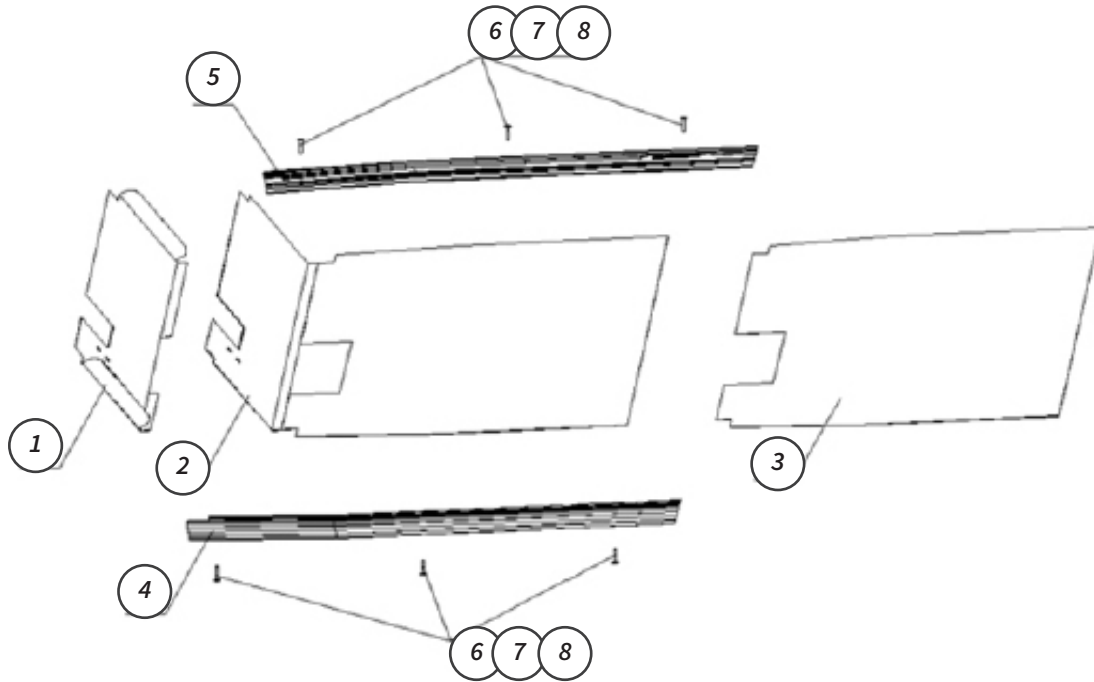
| | | | | |
|------|--------|--------------------------|---------------|---|
| 21.2 | 3HD814 | Flat washer, M8, A200 SS | 2200700021000 | 8 |
| 21.3 | 3HD816 | Nut, M8 A2-70 SS | 2200401003000 | 4 |
| 22 | 2SB087 | 2pt seat belt with hub | 2501304023000 | 1 |
| | | | | |
| | | | | |
| | | | | |

15 Floor for 2 and 2+2



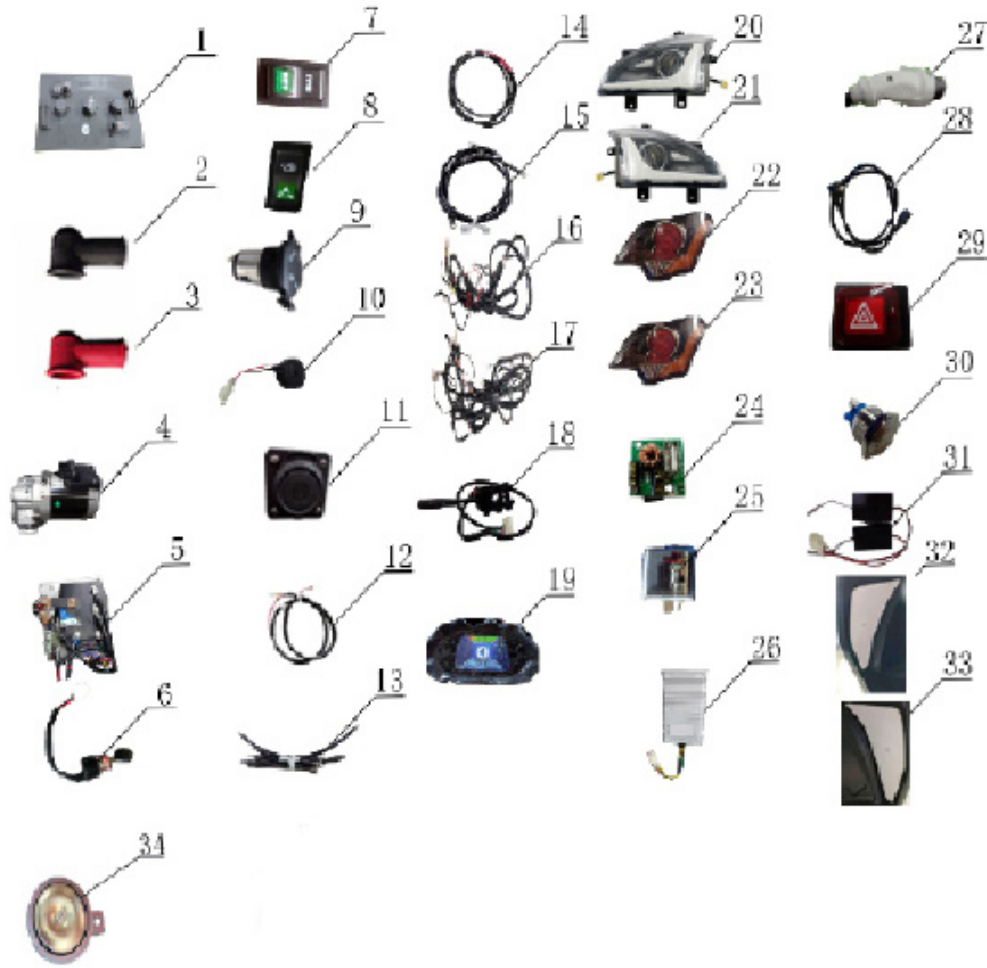
| Item No. | STAR EV Part No. | Description | MPN | Qty |
|----------|------------------|---|---------------|-----|
| 1 | 2BD710 | Front firewall, 1.5t zinc plate, powder coated black both sides | 2207301189A00 | 1 |
| 2 | 2FM270 | Floor mat, 940 x 1140 | 2302600107000 | 1 |
| 3 | 2BD720 | Floor bed, 1.5t Zinc plate, powder coated black both sides | 2300409022A00 | 1 |
| 4 | 2RP750 | Rocker panel, driver side, extruded aluminum | 2208200193A00 | 1 |
| 5 | 2RP751 | Rocker panel, passenger side, extruded aluminum | 2208200194A00 | 1 |
| 6 | 2WS474 | Cross head screw, M6x50 A2-70 SS | 2200304045000 | 6 |
| 7 | 3HD841 | Flat washer, M8 Zinc plated | 2200700081000 | 6 |
| 8 | 2WS476 | Lock nut, M6 A2-70 SS | 2200401001000 | 6 |

15-1 Floor for 4 and 4+2



| Item No. | STAR EV Part No. | Description | MPN | Qty |
|----------|------------------|--|---------------|-----|
| 1 | | Front Firewall | | 1 |
| 2 | 2FM001 | Floor Mat (2pc Set)-*SOUTHERN TIDE* for 4+2 Sirius | | 1 |
| 3 | | Floor | 2300409025A00 | 1 |
| 4 | 2RP755 | Rocker Panel - Driver Side for 4P / 4+2 Sirius | 2208200242A00 | 1 |
| 5 | 2RP756 | Rocker Panel - Passenger Side for 4P / 4+2 Sirius | 2208200243A00 | 1 |
| 6 | 2WS474 | Cross recess pan head screw | 2200304045000 | 6 |
| 7 | 3HD841 | Flat washer | 2200700081000 | 6 |
| 8 | 2WS476 | Hexagon lock nut with non-metallic insert | 2200401001000 | 6 |

16 Electric Components



| Item No. | STAR EV Part No. | Description | MPN | Qty |
|----------|------------------|--|---------------|-----|
| 1 | | Batteries, 8 x 6V Trojan T105 | 2100101021000 | 8 |
| 1-2 | 2AC750 | Accelerator - throttle box for Sirius 2P / 2+2 | 2102000036000 | 1 |
| 1-2 | 2AC755 | Accelerator - throttle box model WTF-1290465 Sirius 4P / 4+2 | 2102000036000 | 1 |
| 2 | 2BT402 | Battery terminal cover, black | 2301902002000 | 6 |
| 3 | 2BT404 | Battery terminal cover, red | 2301902001000 | 6 |
| 4 | 2MO700 | Motor - ADC -ACX-3357 4KW AC MOTOR for Sirius (KDS - Sept 2018 & before) | 2101903060000 | 1 |
| 4 | 2MO701 | Motor(HSLT) , 4KW - for Sirius 2P / 2+2 (QDS - Mid Sept 2018 & AFTER) | 2101903035000 | 1 |
| 4 | 2MO710 | Motor (HSLT) , 5KW - for Sirius 4P / 4+2 (QDS™) | 2101903076000 | 1 |
| 5 | 2CN700 | AC 350 Controller, A 48V ONLY for SIRIUS | 2101701024000 | 1 |
| 6 | 2SW290 | Unique Key Switch, on/off, 10A/250V wire length 260 mm | 2101500006000 | 1 |
| 6 | 2SW291 | Universal Ignition switch with keys for Sirius | 2101500048000 | 1 |
| 6-A | 2WH710 | Ignition and Hazard switch Wireharness for Sirius Lead Batteries ONLY | 2901711211A00 | 1 |

| | | | | |
|------|----------|---|---------------|----|
| 6-B | 2WH711 | Ignition and Hazard switch Wireharness (4 wires) for Sirius with Lithium or Lead acid batteries | | 1 |
| 7 | 2SW430 | Forward/reverse switch | 2101400046000 | 1 |
| 8 | 2SW145 | Fast/Slow speed switch | 6101100016000 | 1 |
| 9 | 2SW701 | Cigarette lighter, 12V120W with cover | 2102404001000 | 1 |
| 10 | 2SW152 | Backup beeper | 2902400002C00 | 1 |
| 11 | 2RC065 | Charger receptacle, Y-60 48V with protection switch and cover | 2100600020A00 | 1 |
| 12 | 2PT700 | Receptacle wire | 2901702117A00 | 1 |
| 13 | 2BT140 | Battery cable, 1 set | 2100402485A00 | 1 |
| 14 | 2WH792 | Controller cable +/-, 1 set | 2901701178A00 | 1 |
| 15 | 2BT155 | Motor cable, 1 set | 2901706123A00 | 1 |
| 16 | 2WH701 | MAIN / Control Wireharness for 2P Sirius QDS™ System (sensor pin R-Blk-W-B) | 2901705239A00 | 1 |
| 17 | 2WH750 | Lighting wire harness | 2901704127A00 | 1 |
| 18 | 2SW590 | Combination switch with 1.2m wire | 2101400169000 | 1 |
| 19 | 2MT276 | Display, 48V , with 1.2m wire | 2100200086000 | 1 |
| 20 | 2LT740 | Headlight, driver side | 2100700260000 | 1 |
| 21 | 2LT741 | Headlight, passenger side | 2100700261000 | 1 |
| 21.1 | Hardware | Clip nut, M5 | 2200406029000 | 2 |
| 21.2 | Hardware | Screw, M5 x 15, SS | 1205211014000 | 2 |
| 21.3 | 3HD629 | Flat washer, M6 A200 SS | 2200700015000 | 10 |
| 21.4 | 3HD628 | M6 clip nut, 1MM | 2200406071000 | 8 |
| 21.5 | Hardware | Screw, M6x20 A2-70 SS | 2200304003000 | 8 |
| 22 | 2LT755 | Taillight-Driver Side Assembly for Sirius (Rev 2 with textured light) | | |
| 22 | 2LT750 | Taillight-DRIVER Side Assembly for Sirius (Rev 1 with smooth light) | 2100700262000 | 1 |
| 23 | 2LT756 | Taillight-Passenger Side Assembly for Sirius (Rev 2 with textured light) | | |
| 23 | 2LT751 | Taillight-PASSENGER Assembly for Sirius (Rev 1 with smooth light) | 2100700263000 | 1 |
| 23.1 | Hardware | Hex bolt, M5 | | 6 |
| 23.2 | Hardware | Flat washer, M5 | | 6 |
| 24 | 2SW700 | USB port, DC12V to DC5V 2.1A x 2 | | 1 |
| 25 | 2RL060 | Flasher, DC12V/130W, 90±30 times/min water, vibration proof, with mounting clip | | 1 |
| 26 | 2CV155 | Voltage converter, DC48V-DC12V/20A, KSI control, water/vibration proof | | 1 |
| 27 | 2PG485 | Charger plug, Y-60 48V 60A, no wire | | 1 |
| 28 | | AC cord, onboard option only | 2100401014000 | 1 |
| 29 | 2SW055 | Emergency switch, 250VAC10A, water proof | 2101400157000 | 1 |
| 30 | 2SW115 | Front trunk release button, Φ16*22, flat head, SS, NO, self return | 2101400170000 | 1 |
| 31 | 2CV750 | Dash light module, 12V, one for two lights, wire 200 mm | 2101700107000 | 1 |

| | | | | |
|----|--------|---|---------------|---|
| 32 | 2LT790 | Dash light, driver side, 12V, white, 1.1m wire | 2102103006000 | 1 |
| 33 | 2LT791 | Dash light, passenger side, 12V, white, 1.1m wire | 2102103007000 | 1 |
| 34 | 2SW210 | Horn, DC12V3A, 105dB, metal housing, w/EMARK label | 2101600001000 | 1 |
| 35 | 2BI740 | LED BOARD for Headlight-Driver / Passenger for Sirius | 2200025399000 | 1 |



2AC750



2AC755



2WH710

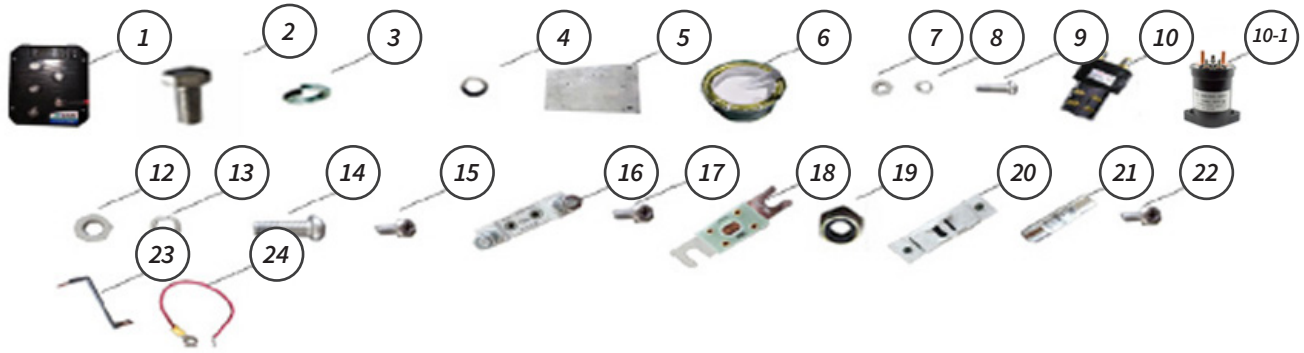


2WH711



2BI740

17 Controller Assembly



1-1



1-2

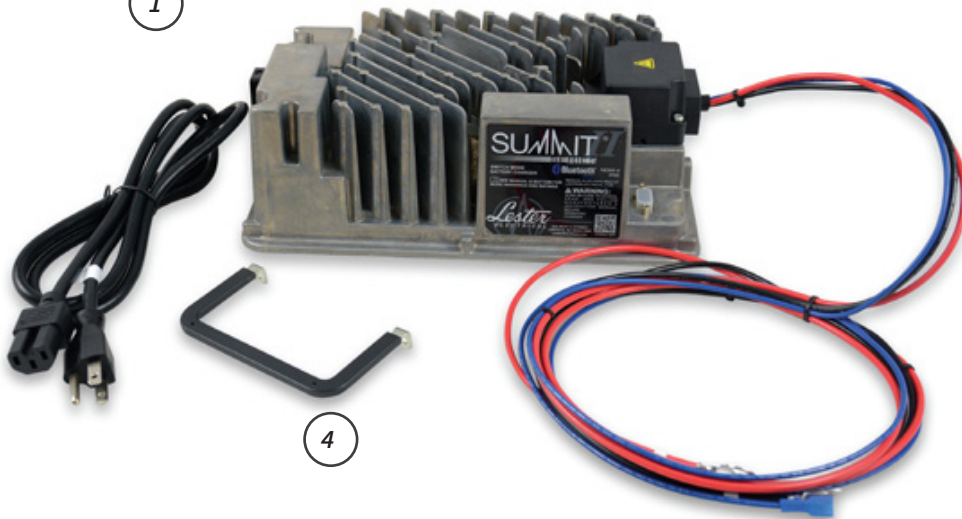


| Item No. | STAR EV Part No. | Description | MPN | Qty |
|----------|------------------|---|---------------|------|
| 1-1 | 2CN700 | 1232SE-5321 , 350 A for 2 Passenger and 2+2 | 1232SE-5321 | 1 |
| 1-2 | 2CN710 | 1234SE-5421, 450 A for 4 Passenger and 4+2 | 1234SE-5421 | 1 |
| 2 | Hardware | Outer hexagon bolt | 1205201026000 | 5 |
| 3 | Hardware | Spring washer | 2200701010000 | 5 |
| 4 | 3HD614 | Flat washer | 2200700088000 | 5 |
| 5 | 2CN949 | Controller mounting panel for 4P / 4+2 | 2209200077A00 | 1 |
| 5 | 2CN945 | Controller mounting panel for 2P / 2+2 | 2209200064A00 | 1 |
| 6 | 2CN948 | PASTE - Heat PASTE for the controller on the Sirius | 9603005002000 | 0.01 |
| 7 | Hardware | Cylindrical head socket screw | 2200301048000 | 4 |
| 8 | Hardware | Spring washer | 2200701009000 | 4 |
| 9 | Hardware | Flat washer | 2200700014000 | 4 |
| 10 | 2SO090 | Main contactor-SW180-108 for SIRIUS 4P/4+2 | 2102300015000 | 1 |
| 10-1 | 2SO045 | Main contactor (JQX200-48ND) for Sirius 2P/2+2 (not 4P) or Roadster | 2102300013000 | 1 |
| 11 | | DC contactor holder | 2207200196C10 | 1 |
| 12 | Hardware | Cross recess pan head screw | 2200304008000 | 4 |
| 13 | Hardware | Spring washer | 2200701008000 | 8 |
| 14 | Hardware | Flat washer | 2200700009000 | 8 |
| 15 | Hardware | Cross recess pan head screw | 2200304020000 | 4 |
| 16 | 2FU174 | Fuse Holder for fulse 2FU170 on Sirius 23P M-Series, AK / AP Series | 1131550107000 | 1 |
| 17 | Hardware | Cross recess pan head screw | 2200304053000 | 2 |

| | | | | |
|----|----------|----------------------------------|---------------|---|
| 18 | 3HD832 | M8, hex bolt, zinc plated | 2102601002000 | 1 |
| 19 | Hardware | Hexagon nut | 2200400012000 | 2 |
| 20 | 2FU121 | Fuse holder | 2303400009000 | 1 |
| 21 | | Fuse protector | 2102601009000 | 1 |
| 22 | Hardware | Cross recess pan head screw | 2200304067000 | 1 |
| 23 | | Conductive copper platoon | 2209100055A00 | 1 |
| 24 | Hardware | Assembly connection wire harness | 2209100060A00 | 1 |

18 Battery Charger

1



4

3



5



6



7



8



9



10

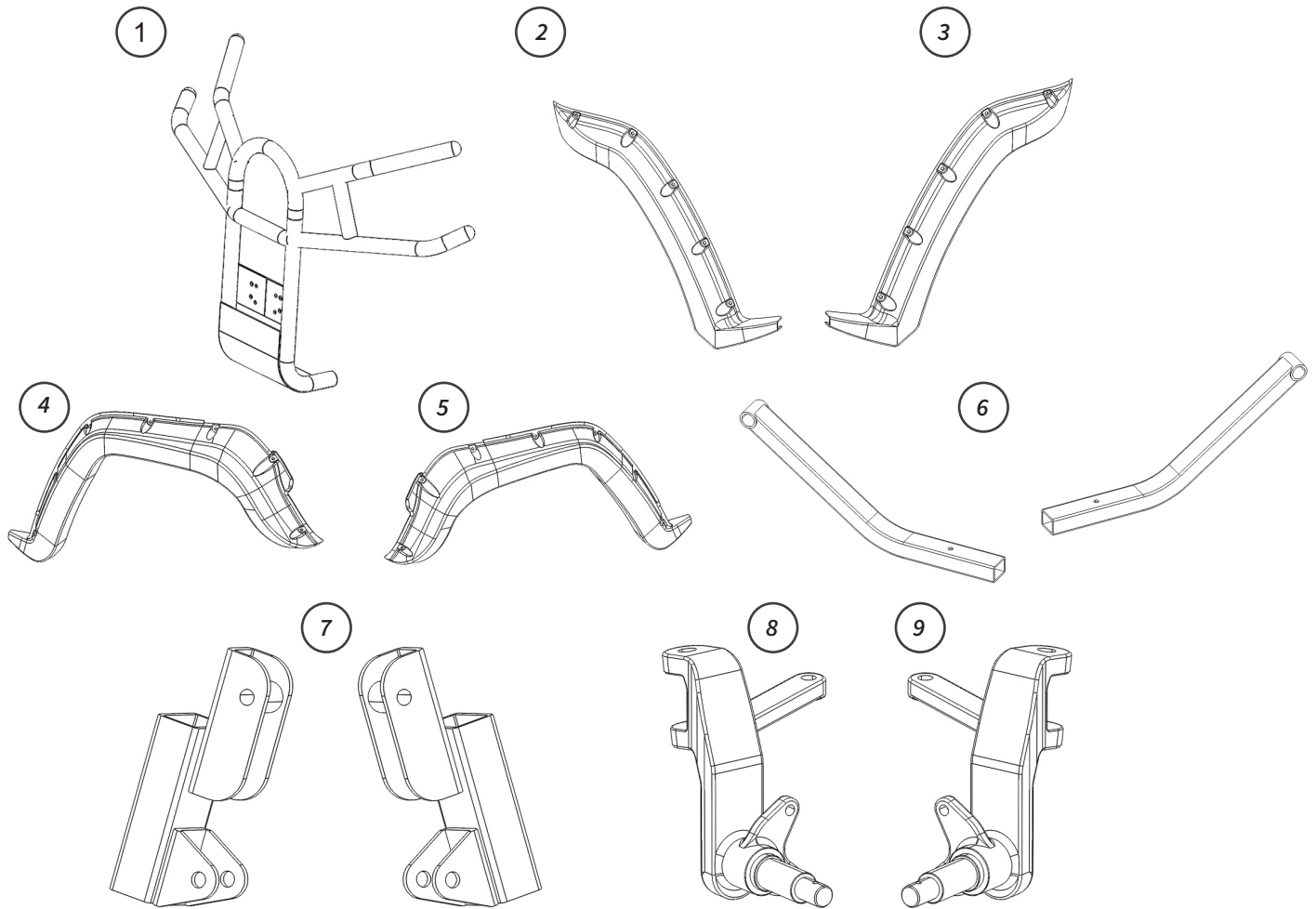


11



| Item No. | STAR EV Part No. | Description | MPN | Qty |
|----------|------------------|--|------------------|-----|
| 1 | 2CH000 | Lester Summit II, 36-48 V, 650 W with handle | 30600E05ALBS00B3 | 1 |
| 3 | 2CR052 | CORD only -Summit II - OFF-BOARD 9 Foot Output Cord for Lester Charger with Yeeda Plug | 42594S | 1 |
| | 2CH001 | Handle Only for Lester Summit II (2CH000) | 42317S | 1 |
| 5 | 2CH911 | Remote LED (on board only) | | 1 |
| 6 | 2CH916 | Remote LED Mounting Plastic Plate ONLY for Lester Charger -Sirius only On board. | | 1 |
| 7 | 2RC065 | DC Female Receptacle for Sirius only | 2100600020A00 | 1 |
| 8 | 2RC080 | 110v Charger Receptacle ONBOARD ONLY | 3049120-041 | 1 |
| 9 | 2CR910 | Cord for 110V with plug for 2P, 2+2, 4 and 4+2 | 2100601043000 | |
| 10 | 2RC900 | 220V AC Charger Receptacle for ONBOARD ONLY | | 1 |
| 11 | 2CR900 | Charger cable 5m with G type plug ONLY for 220V AC Star Models | | 1 |

19 Sirius Lifted Unique Parts



| Item No. | STAR EV Part No. | Description | MPN | Qty |
|----------|------------------|--|---------------|-----|
| 1 | 2BG755 | Brush Guard- Front for Sirius Lifted | | 1 |
| 2 | 2FN750 | Fender Flare - Driver Side Front for Sirius Lifted | 2302900015000 | 1 |
| 3 | 2FN751 | Fender Flare - Passenger Side Front for Sirius Lifted | 2302900016000 | 1 |
| 4 | 2FN755 | Fender Flare - Driver Side Rear for Sirius Lifted | 2302900017000 | 1 |
| 5 | 2FN756 | Fender Flare - Passenger Side Rear for Sirius Lifted | 2302900018000 | 1 |
| 6 | 2RR755 | Support Swing Frame for Sirius Lifted with bushings and grease port (driver or pass side) | 2204702003000 | 2 |
| N/A | 2SC750 | Upper Reinforced Control Arm (Driver Side) Sirius Lifted & Sirius | 2204700133S00 | 1 |
| N/A | 2SC751 | Clevis, upper swing arm with ball head and bushing (Passenger Side) for Sirius 4+2 Lifted ONLY | | 1 |
| 7 | 2SK750 | Mounting Plate Rear Shock for Sirius Lifted with Hardware (driver or pass side) | 2205001887000 | 2 |
| 8 | 2SP755 | Spindle Only - Driver side for Sirius Lifted | 2205400032A00 | 1 |
| 9 | 2SP756 | Spindle Only - Passenger side for Sirius Lifted | 2205400033A00 | 1 |

| | | | | |
|-----|--------|--|--|---|
| N/A | 2RM287 | 12x7 (-43mm offset) Machined Black (includes Center Cap) for Sirius Lifted | | 4 |
| N/A | 2TR120 | 23 x 10.5-12 4PR Tire 12" TWISTER for SPORT and Sirius Lifted | | 4 |
| N/A | 2SP702 | Spindle Only - Driver side for Sirius 2P / 2+2 | | 1 |
| N/A | 2SP703 | Spindle Only - Passenger side for Sirius 2P / 2+2 | | 1 |
| N/A | 2SP752 | Spindle Only - Driver side for Sirius 4P / 4+2 | | 1 |
| N/A | 2SP753 | Spindle Only - Passenger side for Sirius 4P / 4+2 | | 1 |