

STAR[®]

LITHIUM SYSTEM-2BA410



A lithium-ion or Li-ion battery is a type of rechargeable battery that uses the reversible intercalation of Li+ions into electronically conducting solids.

GENERAL

- Nominal Voltage: 48V
- Working Voltage: 40.5V-54.75V
- Recommended Voltage: 45.0V-52.5V
- Cells: 15
- Nominal Capacity: 105 Ah
- Energy: 5,040 Wh
- Reserve @ 25A: 252 Minutes
- Self Discharge: 3% per month
- IP Rating: IP65

DISCHARGING

- Max Continuous Discharge: 150A
- Max Discharge 20 sec: 315A
- Max Discharge 3 sec: 480A
- Recom Voltage Cutoff: 45.0V
- BMS Voltage Cutoff: 40.5V
- BMS Voltage Recovery: 45.0V
- Discharge Temp Range: 4°F~140°F

PHYSICAL

- Cell Chemistry: Lithium Iron Phosphate
- Cell Type: Prismatic
- Cell Configuration: 2P15S
- Weight: 105.8 lbs (48Kg)
- Dimension: 18.1" L x 12.2" W x 9.8" H
- Terminal Type: M8 Female
- Shell Type: Powder Coated Steel
- UN Shipping Class: UN 3480

CHARGING

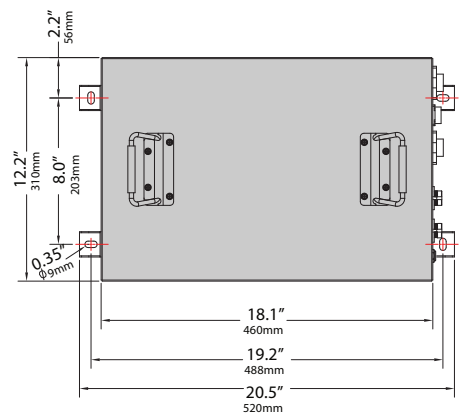
- Recom. Charging Current: 25A
- Max Charging Current: 40A
- BMS High Voltage Cutoff: 54.75V
- Charging Temp. Range: 32°F ~ 131°F

SAFETY

- Charging Freeze Protection: Under 32° F
- Pack Over-Voltage: Yes
- Pack Under-Voltage: Yes
- Cell Under-Voltage: Yes
- Cell Over-Temp: Yes
- BMS Over-Temp: Yes
- Short Circuit / Over Current
- Certifications: UN38.3, UL1642 Cell

COMMUNICATION

- Bluetooth
- CAN
- WIFI



17.
445n

