



Search with **Ctrl-F** (PC) or **Command-F** (Mac) to quickly find what you're looking for.

# CAPELLA<sup>®</sup>



CAPELLA 2



CAPELLA 2+2



CAPELLA 4



CAPELLA 6+2



**STAR<sup>®</sup>**

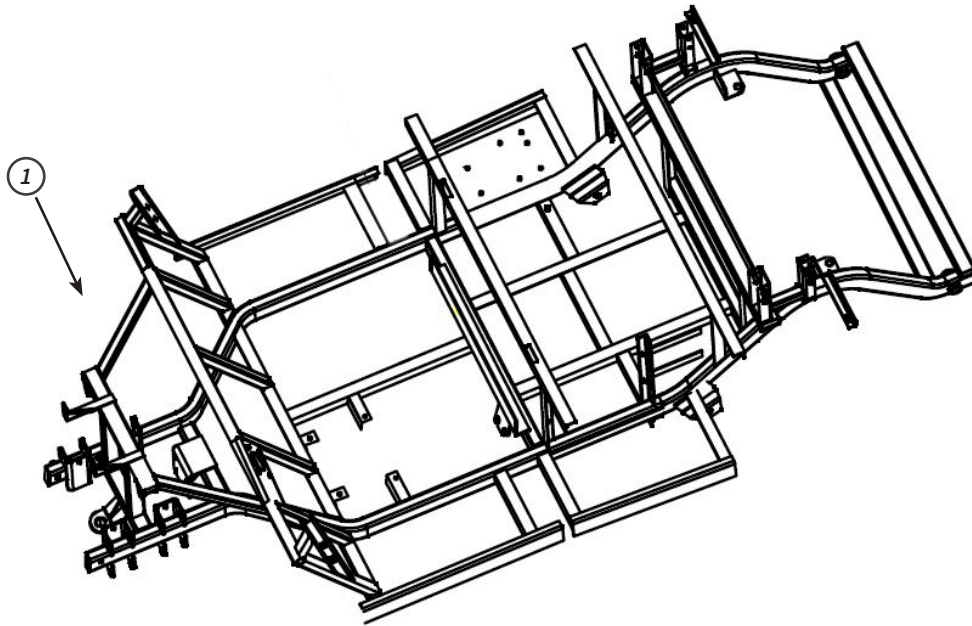
CAPELLA Parts Manual

CAPELLA 2, 2+2, 4, 4+2, 6 and 6+2

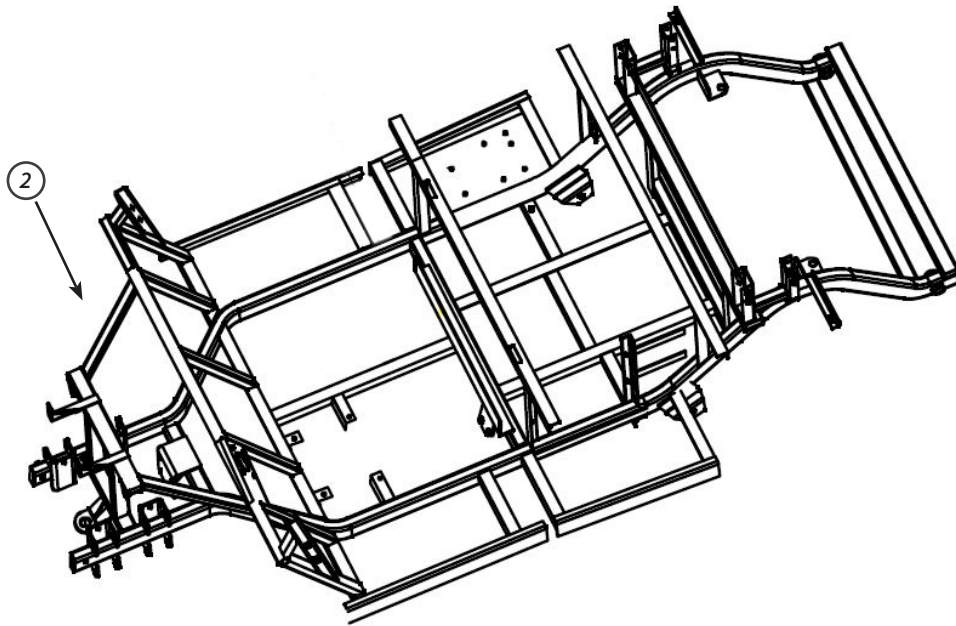
# Contents

1	Chassis (2, 2+2 Passenger, 4 and 4+2)	3
	Chassis (6 and 6+2 Passenger)	4
2	Front Suspension	5-6
3	Rear Suspension	7-8
4	Steering System	9
5	Manual Brake System 2P / 2+2	10
6	Hydraulic Brake System 4P / 4+2	11-13
6-B	6P and 6+2 Hydraulic Brake System	14-16
7	Tires and Rim	17
8	Flooring and Body	18
9	Front Bumper Assembly	19
10	Roofs and Support Brackets (2 Passenger)	20
10-1	Roofs and Support BRackets (2+2, 4P, 4+2, 6P & 6+2)	21-25
11	Seat Belts	26
12	Over the Battery Seating and Cushions Assemblies	27-29
13	POD and Cushions	30-32
14	Rear Body Componets	33-34
15	Rocker Panel / Mud	35-36
16	Front Body Components	37-38
17	Windshields	39
18	OEM Flip Seat	40-42
19	Ultimate Flip Seat	43-46
20	Electrical Components	47-52
21	Digital Display	53

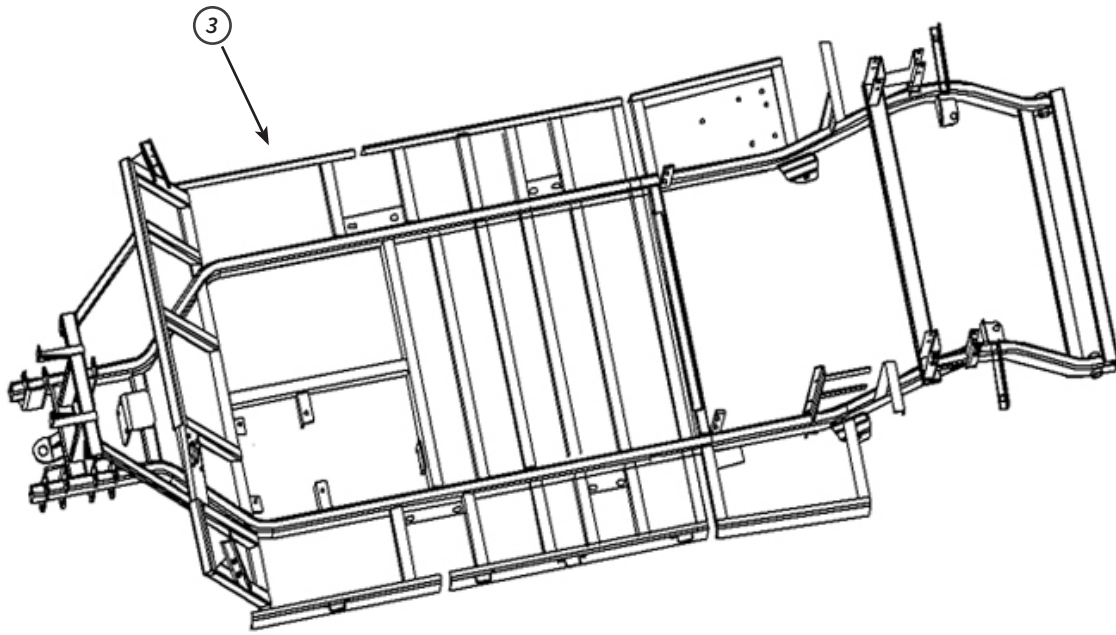
# 1 Chassis



Item No.	STAR EV Part No.	Description	MPN	Qty
1		Chassis (2 and 2+2 Passenger)	2207400271A00	1

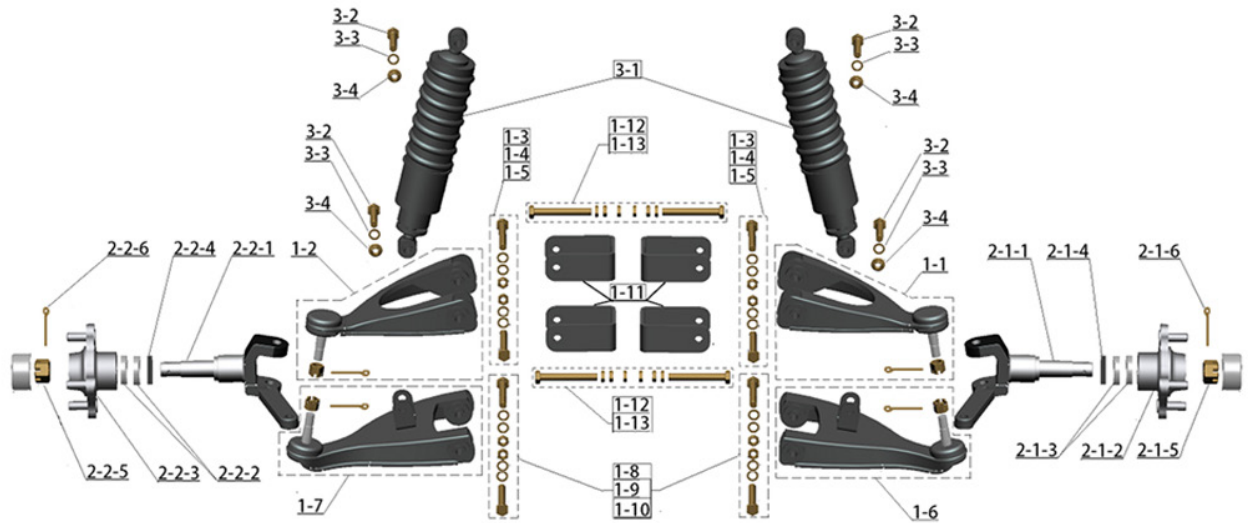


Item No.	STAR EV Part No.	Description	MPN	Qty
2		Chassis (4 and 4+2 Passenger)	2207400288A20	1



Item No.	STAR EV Part No.	Description	MPN	Qty
3		Chassis (6 and 6+2 Passenger)	3304028020	1

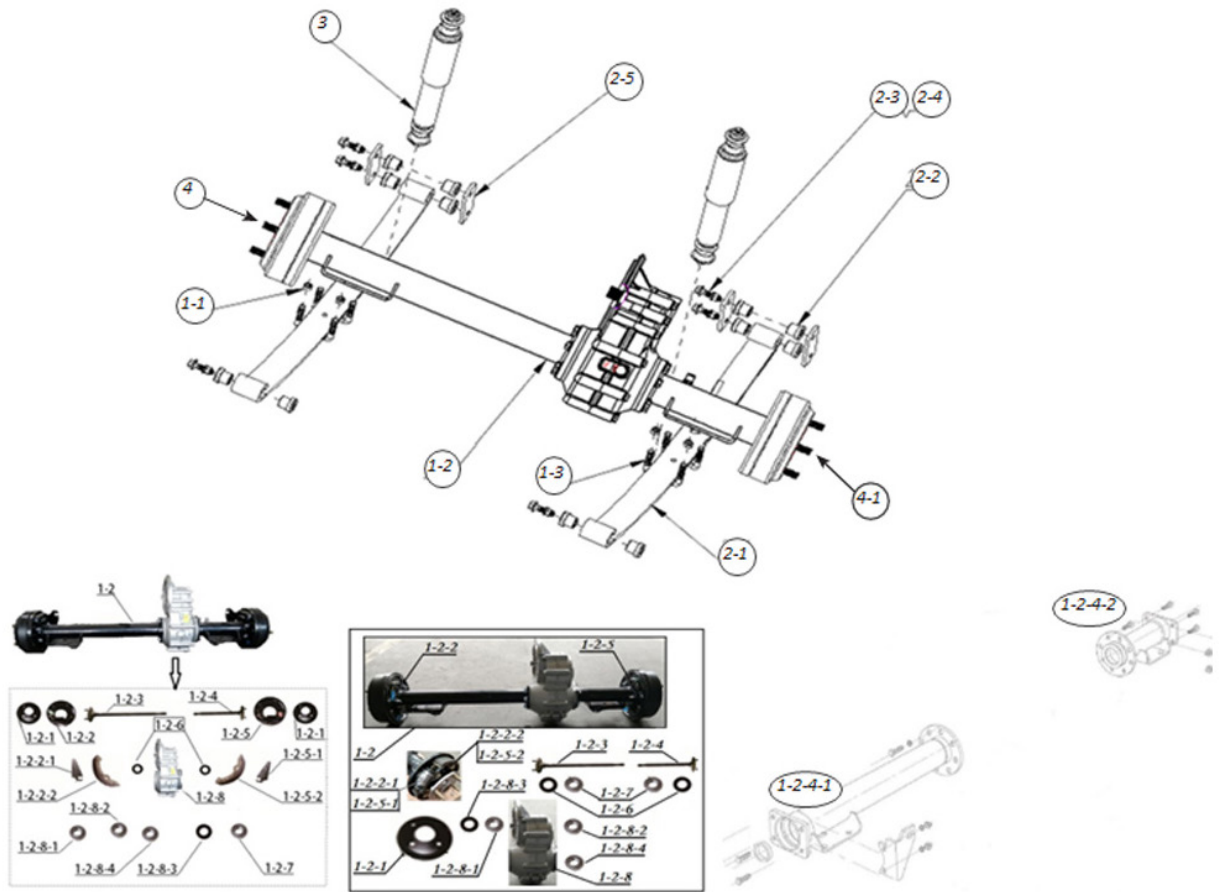
## 2 Front Suspension



Item No.	STAR EV Part No.	Description	MPN	Qty
1-1	2SC711	Clevis, upper swing arm with ball head and Bushing (Passenger side) for 2P, 2+2, 4 and 4+2	2204700134020	1
1-1	2SC801	Upper Control Arm (passenger side) DH.C2.8-03020011(A4) for 6P & 6+2	2204700134040	1
1-2	2SC710	Clevis, upper swing arm with ball head and Bushing (Driver Side) for 2P, 2+2, 4 and 4+2	2204700133020	1
1-2	2SC800	Upper Control Arm (Driver Side) DH.C2.8-03020021(A4) for Capella 6P, 6+2	2204700133040	1
1-3	2SC731	M10* 90 /10.9 Hexagon head bolts	2200102202000	4
1-4	3HD153	M10, Flat washer, GB/T97.1 ,M10(20*10.5*2) Dacromet	2500600013000	4
1-5	3HD156	M10, Nylon Lock Nut, zinc plated	2200450004000	4
1-6	2SC713	"Clevis, lower swing arm with ball head and Bushing (Passenger)for 2P, 2+2, 4, 4+2, 6P & 6+2"	3102013870	1
1-7	2SC712	Clevis, lower swing arm with ball head and Bushing (Driver Side) for 2P, 2+2, 4, 4+2, 6P & 6+2	3102013874	1
1-8	3HD016	M10 X 80 Hexagon head bolts GB/T5782	2200102102000	4
1-9	3HD153	M10, Flat washer, GB/T97.1 ,M10(20*10.5*2) Dacromet	2500600013000	4
1-10	3HD156	M10, Nylon Lock Nut, zinc plated	2200450004000	4
1-11	2SC730	Adjustable Camber Plate Q235/5.0mm steel, Blackpowder coated ( need 4 per car)	3302011034	4
1-12	3HD013	M10 x 70 Hex Bolt GB/T5783-2000	2200102257000	4
1-13	3HD120	M10, SS Hex Nut	2200400146000	12
2		Spindle Assembly and installation accessories		1
2-1	2SP701	"Spindle Assembly - Includes bearing hub and hub bolts Passenger side for 2P, 2+2"	2201802758000	1

2-1	2SP751	Spindle Assembly - Includes Rotor, bearing hub and hub bolts -Passenger side for 4P, 4+2, 6P & 6+2	3304013283	1
2-1-1	2SP753	Spindle ONLY -Passenger side- Has holes for Calipers for 2P, 2+2, 4, 4+2, 6P & 6+2	2201802079A20	1
2-1-2	2HU700	Wheel hub with 5cm Inner Diameter for 2P, 2+2, 4 and 4+2	2205100155A10	1
2-1-2-1	2LN052	Front Silver Stud for HUB for Capella	2200103136000	4
2-1-3	2BE001	44643 Hub Bearing for 2P, 2+2, 4 and 4+2	2201200019000	2
2-1-4	2OL702	52 x 30 x 10 mm Oil Seal for 2P, 2+2, 4 and 4+2	2301300002000	1
2-1-5	2SP901	"M24 x 1.5 Slotted castle nut for Spindles for 2P, 2+2, 4, 4+2, 6P & 6+2"	2200403009000	1
2-1-6	2HD201	Cotter Pin 4 X 35 Zinc plated	2200900011000	1
2-1-7	2RT700	"Rotor / Disc - Front (Brake) 4P, 4+2, 6P & 6+2 Driver and Passenger side"	2205200064000	1
2-1-8	3HD803	M20 FLAT Washer : GB/T97.2,M20, 1.6~1.7mm	2200700057000	1
2-2	2SP700	"Spindle Assembly - includes bearing hub and hub bolts -Driver side for 2P and 2+2"	3304013286	1
2-2	2SP750	Spindle Assembly - includes Rotor, bearing, hub and hub bolts -Driver side for 4P, 4+2, 6P & 6+2	3304013284	1
2-2-1	2SP752	Spindle ONLY -Driver side- Has holes for Calipers for 2P, 2+2, 4, 4+2, 6P & 6+2	2201802080A20	1
2-2-2	2BE001	44643 Hub Bearing for 2P, 2+2, 4 and 4+2	2201200019000	2
2-1-2-1	2LN052	Front Silver Stud for HUB for Capella	2200103136000	4
2-2-3	2BE001	44643 Hub Bearing for 2P, 2+2, 4P and 4+2	2201200019000	2
2-2-3	2HU700	Wheel hub with 5cm Inner Diameter for 2P, 2+2, 4P, 4+2, 6P & 6+2	2205100155A10	1
2-2-4	2OL702	φ52*φ30*10mm Oil Seal	2301300002000	1
2-2-5	2SP901	M24 X 1.5 Slotted castle nut for Spindles for 2P, 2+2, 4P, 4+2, 6P & 6+2	2200403009000	1
2-2-6	2HD201	Cotter Pin 4 X 35 Zinc plated for 2P, 2+2, 4P, 4+2, 6P & 6+2	2200900011000	1
2-2-7	2RT700	"Rotor / Disc - Front (Brake) 4P, 4+2, 6P & 6+2 Driver and Passenger side"	2205200064000	1
2-2-8	3HD803	"M20 FLAT Washer: GB/T97.2,M20, 1.6~1.7mm for 4 and 4+2"	2200700057000	1
3		Shock absorber and installation accessories		2
3-1	2SC740	Front shock with 9 coil (adjustable, Spring diameter 12mm) for 2P, 2+2, 4 and 4+2	2205300057A10	2
3-1	2SC820	Front shock absorber assembly for 6P and 6+2	2205300068A10	2
3-2	3HD011	M10 x 50 Hexagon head bolts for 2P, 2+2, 4 and 4+2	2200100054000	4
3-2	3HD012	M10 x 55 Hexagon head bolts for 6P and 6+2	2200102201000	4
3-3	3HD153	M10 FLAT Washer GB/T97.1 Dacromet for 2P, 2+2, 4 & 4+2	2500600013000	8
3-4	3HD142	M10 x 1.5, Lock Nut, Metal, zinc plated for 2P, 2+2, 4 & 4+2	2200404004000	4

### 3 Rear Suspension

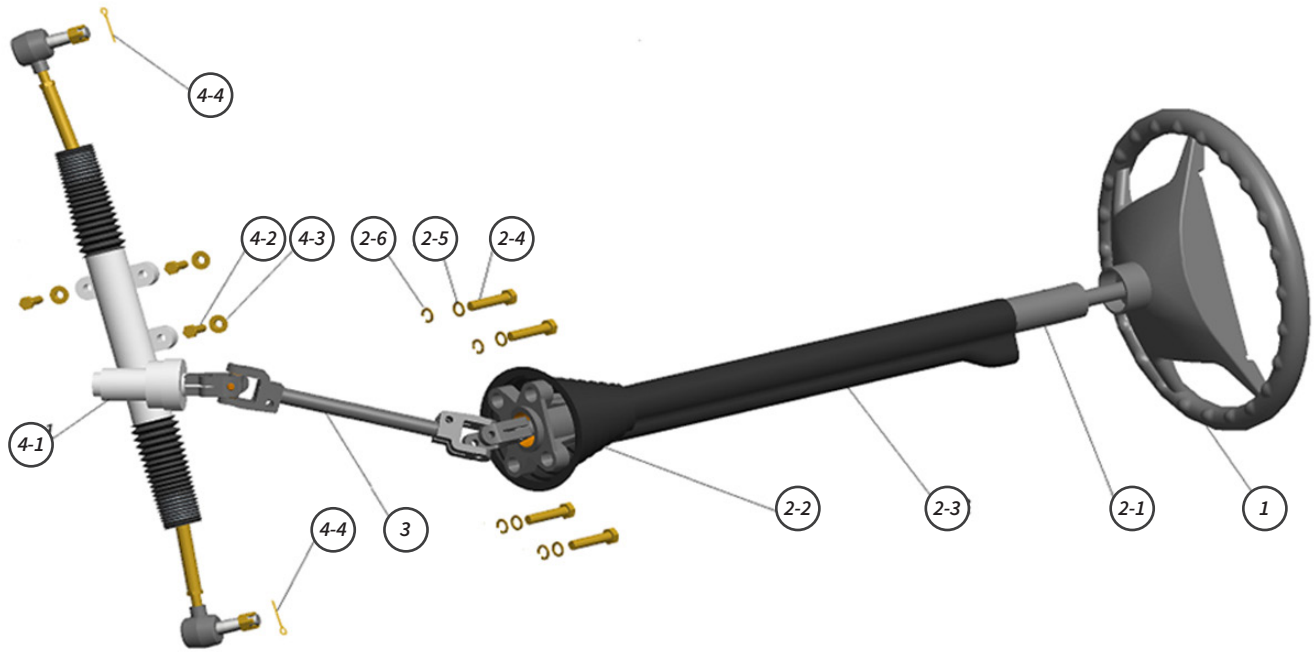


Item No.	STAR EV Part No.	Description	MPN	Qty
1-1	3HD142	M10 x 1.5, Lock Nut, Metal GB/T6187.1,	2200404060000	8
1-2	2RE800	Rear End with MANUAL brakes for 2P and 2+2	2204400003001	1
1-2	2RE805	Rear End with HYDRAULIC brakes for 2P, 2+2, 4P, 4+2, 6P & 6+2	2200018820S00	1
1-2-1	2DM140	Rear Brake Drum φ160- Manual brakes for 2 and 2+2	2205100227000	2
1-2-1	2DM120	Rear Hydraulic DRUM φ180 for 4P, 4+2, 6P & 6+2	2205100196000	2
1-2-2	2BP705	Rear Driver Side Backing Plate for 2 and 2+2	2205500192000	1
1-2-2	2BP710	Rear Driver Side Backing Plate Assembly φ 180 for 4P, 4+2, 6P & 6+2	2205500139000	1
1-2-2-1	2BM712	Brake Clamp Plate manual brake for 2 and 2+2	2207300400000	1
*1-2-2-1	2CY302	Rear Cylinder 15.87 for 4P, 4+2, 6P & 6+2	2204300094000	1
1-2-2-2	2SH071	Shoe-Rear (Brake) for manual brake for 2 & 2+2	2204500128000	1
1-2-2-2	2SH000	REAR Brake SHOE for 4P, 4+2, 6P & 6+2	2204500089000	2
1-2-3	2AX810	HALF AXLE Long shaft (Driver Side) for 2P, 2+2, 4P, 4+2, 6P & 6+2	2201803133000	1
1-2-4	2AX811	HALF AXLE Long shaft (Passenger Side) for 2P, 2+2, 4P, 4+2, 6P & 6+2	2201803134000	1

4	2LN053	Rear Axle Stud (Gold) 8SD906105 for CAPELLA2P and 2+2	2200600022000	8
4-1	2LN055	Rear Axle Stud for CAPELLA4P/4+2 M12*1.25 (HUB BOLT)	2200103139000	8
1-2-4-1	2AX812	Metal Sleeve for Driver Side half axle (long shaft) for 2P, 2+2, 4P, 4+2 Capella, Workmachine	3600001571	1
1-2-4-2	2AX813	Metal Sleeve for Passenger Side half axle (short shaft) for 2P, 2+2, 4P, 4+2 Capella, Workmachine	3600001580	1
1-2-5	2BP706	Rear Passenger Side Backing Plate for 2 and 2+2	2205500193000	1
1-2-5	2BP711	Rear Passenger Side Backing Plate Assembly $\phi$ 180 for 4P, 4+2, 6P & 6+2	2205500138000	1
*1-2-5-1	2BM712	Brake Clamp Plate for manual brake for 2/ 2+2	2207300400000	1
1-2-5-1	2CY302	Rear Cylinder 15.87 for 4P, 4+2, 6P & 6+2	2204300094000	1
1-2-5-2	2SH071	Shoe - Rear (Brake) for manual brake for 2 and 2+2	2204500128000	2
1-2-5-2	2SH000	REAR Brake SHOE for 4P, 4+2, 6P & 6+2	2204500089000	2
1-2-6	2OL800	Oil Seal $\phi$ 34* $\phi$ 45*8 for Half axle for 2P, 2+2, 4P, 4+2, 6P & 6+2	2301300070000	2
1-2-7	2BE003	6205-2RS BEARING	2201200330000	4
1-2-8	2RR750	Differential Case / Reduction Gearbox 12.48:1 for 2 / 2+2	2208701055000	1
1-2-8	2RR780	Differential Case / Reduction Gearbox 19 spline 12:31 for 4P, 4+2, 6P & 6+2	2204100150000	1
1-2-8-1	2BE220	6005/ p6 Bearing for 2P, 2+2, 4P, 4+2, 6P & 6+2	2201200329000	2
1-2-8-2	2BE002	6204 /p6 Bearing for 2P, 2+2, 4P, 4+2, 6P & 6+2	2201200331000	2
1-2-8-3	2OL711	25 x 40 x 7 Oil seal for 2P, 2+2, 4P, 4+2, 6P & 6+2	2301300101000	1
1-2-8-4	2BE006	6008 / p6 Bearing for 2P, 2+2, 4P, 4+2, 6P & 6+2	2201200328000	2
1-3	2LF007	U Bolt M10 60*52*40* for 2P, 2+2, 4P, 4+2, 6P & 6+2	2200104004C00	4
2		Leaf Spring and installation accessories	2905405012000	2
2-1	2LF022	Rear Leaf Spring 680MM (2 LAYER) new design for 2P, 2+2	3102032050	2
2-1	2LF011	Rear Leaf Spring (3 LAYER) 4 and 4+2	2204010004010	2
2-1	2LF023	Rear Leaf Spring (4LAYERS) 6P & 6+2	2204010003000	2
2-2	2BS750	Nylon Bushing, Black28 x 22 x 14 for 2P, 2+2, 4 and 4+2	2301900004C00	12
2-2	2BS749	BUSHING ( $\phi$ 28 x $\phi$ 21.8 x $\phi$ 12.7 x 22) for leaf spring on 6P & 6+2	2301900250000	12
2-3	3HD138	M13 x 89 (use 70mm) Bolt, 40Cr/45 steel, Zinc plated for 2P, 2+2, 4 and 4+2	2200103003C00	6
2-3	2LF016-B	Stub Bolts DG.C2-050029,C3,40Cr/45 for 6P & 6+2	2200103003C00	6
2-4	3HD142	M10 x 1.5, Lock Nut, Metal, zinc plated for 2P, 2+2, 4 & 4+2	2200404004000	6
2-4	3HD143	M10 x 1.25 Lock Nut, Metal, dacromat for 6P and 6+2	2200404004000	6
2-5	2LF008	Connecting bracket DG.C2.1-050500 ,Q235,100x38x6, for Rear Leaf Spring for 2P, 2+2, 4, 4+2, 6P & 6+2	2207300020C00	4
3	2SK800	Rear shock absorber for 2P, 2+2, 4P, 4+2, 6P & 6+2	2205300002C00	2

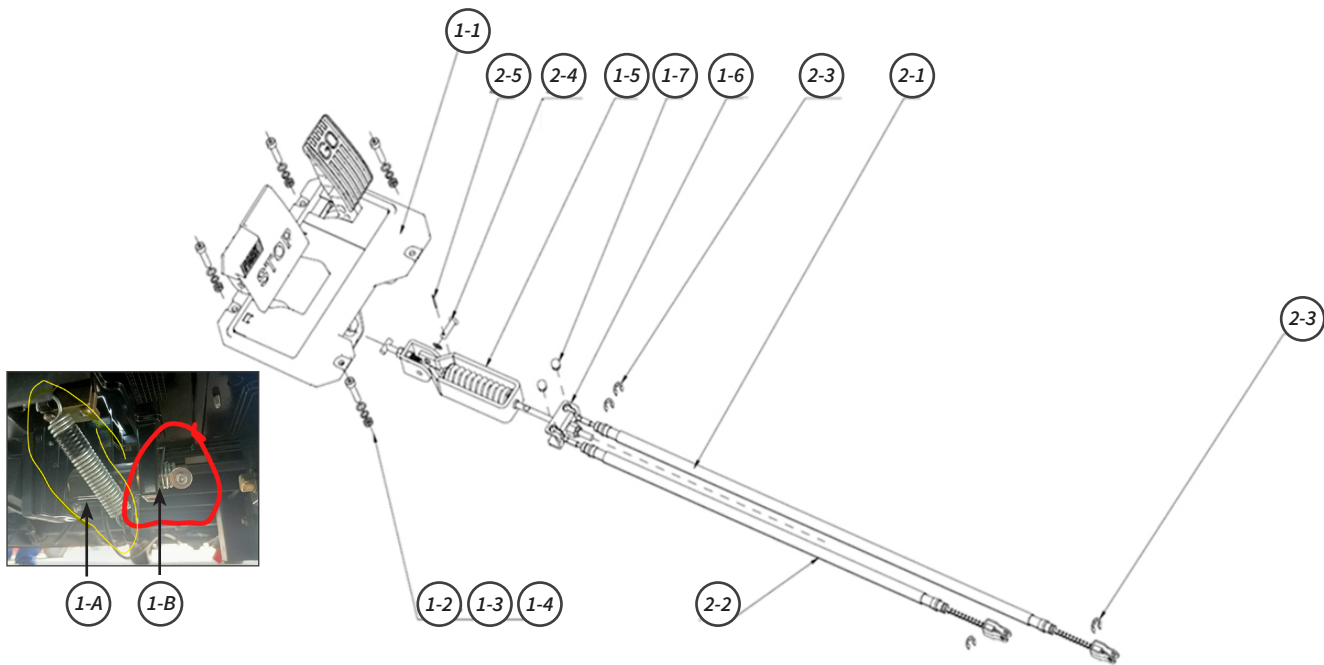


## 4 Steering System



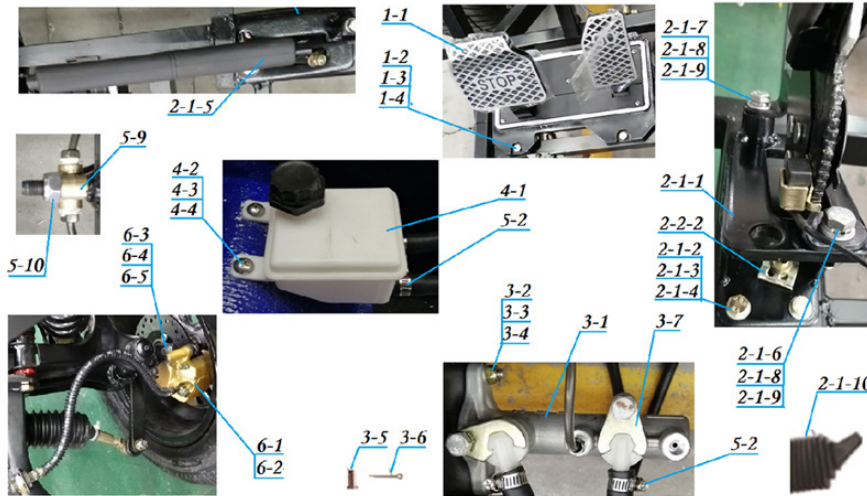
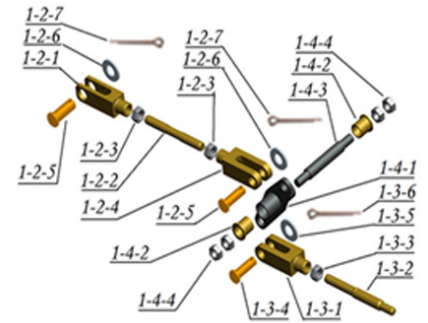
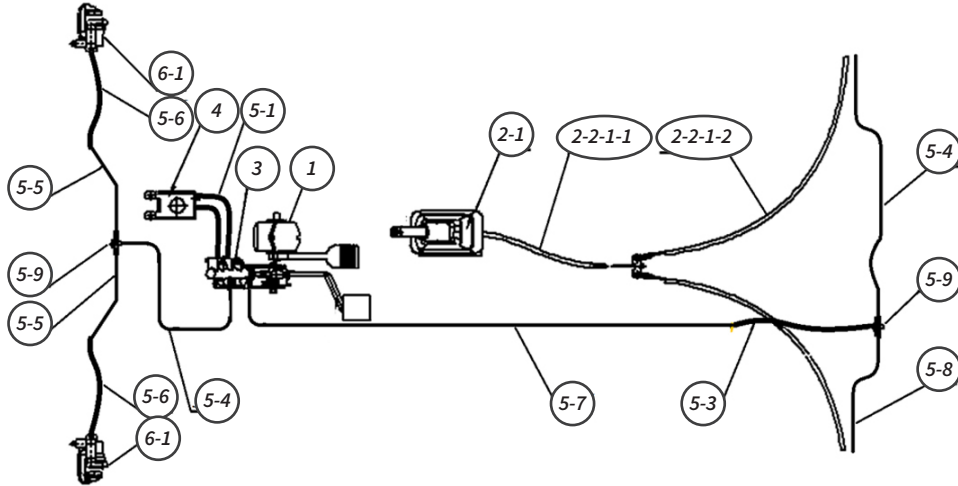
Item No.	STAR EV Part No.	Description	MPN	Qty
1	2SL035	Steering wheel Assembly for 2P, 2+2, 4P, 4+2, 6P & 6+2	2207700001C00	1
2		Steering column and installation accessories	2905477001000	1
2-1	2ST157	Steering Column powder coated (upper) for 2P, 2+2, 4P, 4+2, 6P & 6+2	2205600001C00	1
2-2	2ST041	Boot - Steering Column for 2P, 2+2, 4P, 4+2, 6P & 6+2	2301900031000	1
2-3	2ST158	Plastic Covering for Steering Column 45*6.5*3.5CM for 2P, 2+2, 4P, 4+2, 6P & 6+2	2301900032000	1
2-4	3HD009	M10 x 35 Hex Bolt GB/T5783 for 2P, 2+2, 4P, 4+2, 6P & 6+2	2200102200000	4
2-5	3HD153	M10 FLAT Washer GB/T97.1 Dacromet for 2P, 2+2, 4P, 4+2, 6P & 6+2	2500600013000	4
2-6	3HD116	M10, Spring Washer GB/T93,10.2 Dacromet for 2P, 2+2, 4P, 4+2, 6P & 6+2	2200701087000	4
3	2ST280	LOWER STEERING SHAFT for 2P, 2+2, 4P, 4+2, 6P & 6+2	2206000002C00	1
4		Steering machine and installation accessories	2905478001000	1
4-1	2ST515	Steering gear box Assembly for 2P, 2+2, 4P, 4+2, 6P & 6+2	2207800034A20	1
4-2	3HD009	M10 x 35 Hex Bolt GB/T5783 for 2P, 2+2, 4P, 4+2, 6P & 6+2	2200102200000	2
4-3	3HD142	M10 x 1.5, Lock Nut, Metal, dacromet plated GB/T6187.1 for 2P, 2+2, 4P, 4+2, 6P & 6+2	2200404004000	3
4-4	2HD212	Cotter Pin 3 x 40 Dacromet plated for 2P, 2+2, 4P, 4+2, 6P & 6+2	2200900053000	2

## 5 Manual Brake System 2P / 2+2



Item No.	STAR EV Part No.	Description	MPN	Qty
1		Brake pedal mounting accessories	2905408004000	1
1-A	2BM701	GO pedal Spring $\phi 16 \times 90$ , 26 circles, white zinc Capella	2201100130000	1
1-B	2BM702	STOP pedal Spring $\phi 16 \times 82$ , 21 circles, white zinc Capella	2201100129000	1
1-1	2PD700	Foot Pedal Assembly - throttle and brake for Manual brakes for 2P, 2+2	2206200273000	1
1-2	3HD091	M8 x 25 Hex Bolt, GB/T5783 for 2P, 2+2, 4 and 4+2	2200100029000	4
1-3	3HD844	M8 Flat Washers GB/T96.2 8 for 2P, 2+2, 4 and 4+2	2200700022000	8
1-4	3HD845	M8 Hexagon Lock Nut Non-metallic insert for 2P, 2+2	2200401008000	4
1-5	2PB700	Compensator for 2P and 2+2	2206100126000	1
1-6	2BM700	Balancer plate 57 x 30.5 *24 mm zinc for 2P and 2+2	2208605001C00	1
1-7	2BM705	Rubber seal Plug $\phi 12 \times \phi 11 \times \phi 10 \times 14.2$ for 2P and 2+2	2301906013C00	2
2		Brake line installation accessories	2905479001000	1
2-1	2CB701	Brake cable Passenger side (long) 1180*1040, diameter 7mm, free travel $70 \pm 2$ mm	2206900007C00	1
2-2	2CB700	Brake cable Driver side (short) 940mm *800, diameter 7mm, travel $70 \pm 2$ mm for 2P, 2+2	2206900008C00	1
2-3	2CB084	Clip for cable on SIRIUS for 2P, 2+2	2200800001000	4
2-4	2HD200	Clevis Pin 8 x 20 for 2P, 2+2	2200902002000	2
2-5	2HD213	Cotter Pin 5 x 16 for 2P, 2+2	2200900005000	2

# 6 Hydraulic Brake System 4P / 4+2

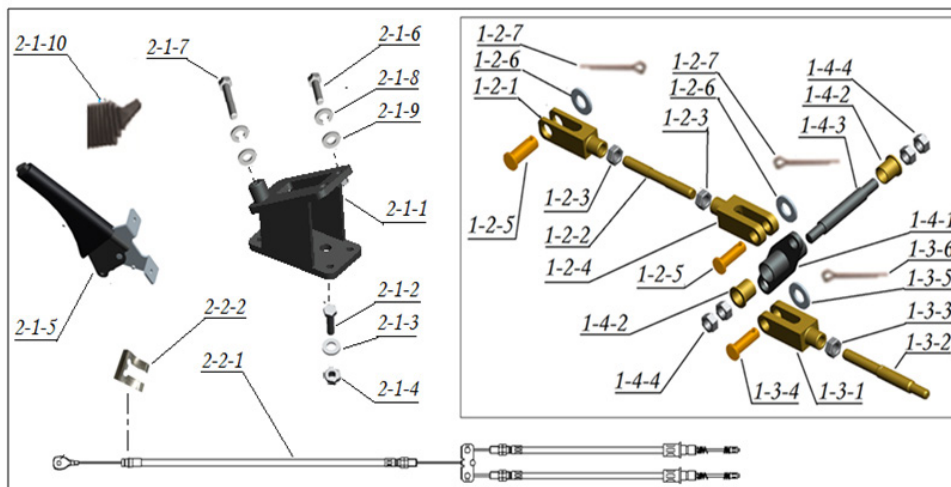
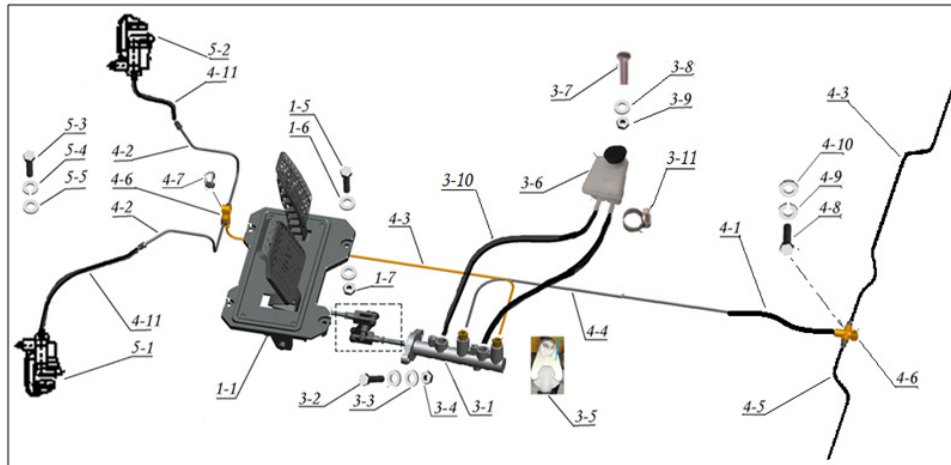


Item No.	STAR EV Part No.	Description	MPN	Qty
1		Brake pedal mounting accessories	2905408024000	1
1-1	2PD750	Foot Pedal Assembly - throttle and brake for 4P, 4+2 6P & 6+2 with Hydraulic brakes	2206200244000	1
1-2	2PD770	LINKAGE -Connection Rod with 2 Yokes for 4P, 4+2, 6P & 6+2	2204900178000	1
1-2-1	2PD768	Clevis Connector - Brake pedal main connector	2204900179000	1
1-2-2	2PD767	Connecting rod of main connector	2204900180000	1
1-2-3	3HD868	M8 Hexagon nut: GB/T6170,M8, Dacromet plated	2200400145000	2
1-2-4	2PD769	Clevis Connector - Brake Pedal Hydraulic Connector for 4P, 4+2 6P & 6+2	2204900181000	1

1-2-5	2HD203	φ8 * 28 CLEVIS PIN	2200902082000	2
1-2-6	3HD869	M8 Flat washer:GB/T97.1,M8(16*8.4*1.6) Dacromet plated	2500600012000	2
1-2-7	2HD214	2.5 x 22 Cotter Pin GB/T91 2.5*22 zinc plated	2200900008000	2
1-3	2MC052	Connecting push rod of master cylinder	2204900182000	1
1-3-1	2PD769	Clevis Connector - Brake Pedal Hydraulic Connector for 4P, 4+2 6P & 6+2	2204900181000	1
1-3-2	2MC040	Adjusting Rod Only for 4P, 4+2 6P & 6+2	2204900027000	1
1-3-3	3HD868	M8 Hexagon nut: GB/T6170,M8, Dacromet plated	2200400145000	1
1-3-4	2HD203	φ8 * 28 CLEVIS PIN	2200902082000	1
1-3-5	3HD869	M8 Flat washer:GB/T97.1,M8(16*8.4*1.6) Dacromet plated	2500600012000	1
1-3-6	2HD214	2.5 x 22 Cotter Pin GB/T91 2.5*22 zinc plated	2200900008000	1
1-4	2PD771	Pivot Arm Assembly for Master Cylinder for 4P, 4+2 6P & 6+2	2202100363000	1
1-4-1	2PD774	PIVOT ARM - (shaft sleeve bracket) for 4P, 4+2 6P & 6+2	2205001882000	1
1-4-2	2PD775	SLEEVE φ16*14 for Pivot Arm (2PD774) for 4P, 4+2 6P & 6+2	2202100364000	2
1-4-3	2PD776	SHAFT ROD φ10*106 for Pivot Arm (2PD774) for 4P, 4+2 6P & 6+2	2204800113000	1
1-2	3HD091	M8 x 25 Hex Bolt, GB/T5783, for 4P, 4+2 6P & 6+2	2200100029000	4
1-3	3HD844	M8 Flat Washers GB/T96.2 8 for 2P, 2+2, 4P, 4+2 6P & 6+2	2200700022000	8
1-4	3HD845	M8 Hexagon Lock Nut Non-metallic insert for 2P, 2+2, 4P, 4+2 6P & 6+2	2200401008000	4
2		Parking device	2900500218000	1
2-1	2PB800	Parking handle Assembly for 4P, 4+2 6P & 6+2	2905411016000	1
2-1-1	2PB801	Mounting Base for Handbrake for 4P, 4+2 6P & 6+2	2208100014S10	1
2-1-2	3HD804	M8 X 30 Hexagon bolt GB/T5783, DACROMET	2200102129000	4
2-1-3	3HD844	M8 Flat Washers GB/T96.2 8 for 2P, 2+2, 4 and 4+2	2200700022000	8
2-1-4	3HD845	M8 Hexagon Lock Nut Non-metallic insert	2200401008000	4
2-1-5	2PB802	Parking handle for 4P,4+2,6P & 6+2	2209700001000	1
2-1-6	2HD883	M8 x 25 hexagon bolt GB/T5783, M8*25, A2-70 for 4/4+2	2200100162000	1
2-1-7	3HD802	M8 x 45 Outer hexagon bolt SS GB/T5783, M8*45, A2-70	2200100103000	1
2-1-8	3HD818	M8 Spring Washer	2200701012000	2
2-1-9	3HD807	M8 Flat Washer GB/T97.1 φ8 for 4 and 4+2	1205001009000	2
2-1-10	2PB803	Decorative cover for base of Parking brake 4P, 4+2, 6P, 6+2	2300800028000	1
2-2		Parking cable and installation accessories	2905412021000	1
2-2-1		Hand brake wire Assembly	2206900082000	1
2-2-1-1	2CB715	Parking Brake Cable #1 (Main) for 4P and 4+2	2206900108000	1
2-2-1-2	2CB716	Parking Brake Cable #2 (Main) for 4P and 4+2	2206900109000	2
2-2-2	2CB083	Clip / Snap Ring for cable on for 4P, 4+2 6P & 6+2	2207901006000	1
3		Brake pump installation accessories	2900500180000	1

3-1	2MC050	Master Cylinder Flange / Side Mount (ALL HYDRAULIC)	3103023889	1
3-2	3HD804	M8 x 30 Hexagon bolt GB/T5783, DACROMET	2200102129000	2
3-3	3HD848	M8 Flat Washers GB/T97.2 8 for 2P, 2+2, 4 and 4+2	2200700023000	4
3-4	3HD845	M8 Hexagon Lock Nut Non-metallic insert (for all)	2200401008000	2
3-5	2HD202	8 x 22 Clevis Pin GB/T882,8*22,B for 4P and 4+2	2200902007000	1
3-6	2HD214	2.5 x 22 Cotter Pin GB/T91 2.5*22 zinc plated	2200900008000	1
3-7	2MC900	Sealing Washer for 4P, 4+2 6P & 6+2	2200703009000	4
4		Brake Fluid Reservoir Assembly	2905410015000	1
4-1	2TB030	Brake fluid tank (Reservoir ) for 4P, 4+2 6P & 6+2	2303300013A00	1
4-2	3HD899	M6 x 16 Cross recessed pan head screw GB/T973 M6*16	2200305002000	2
4-3	3HD629	M6 A200 SS Flat Washer	2200700015000	2
4-4	2WS476	M6, A2-70 Lock Nut stainless steel: GB/T889.1 M6 A2-70	2200401001000	2
5		Brake oil pipe Assembly	2905520001000	1
5-1	2TB029	Tube for Brake Reservoir $\phi 15^* \phi 8.5$ for 4P, 4+2 6P & 6+2	2300500002000	1.5m
5-2	2TB028	Tube Clamp $\phi 16$ mm for 4P, 4+2 6P & 6+2	2207901008000	4
5-3	2TB234	40cm Flexible Tube for FRONT disc brakes for 4P, 4+2 6P & 6+2	2206700037000	1
5-4	2TB231	Tube / Pipe (Brake) 800mm for 4P, 4+2 6P & 6+2	2206700011000	2
5-5	2TB229	Tube / Pipe (Brake) 300mm $\phi 5^*1$ for 4P, 4+2 6P & 6+2	2206700010000	2
5-6	2TB700	40cm front brake tubing for 4P, 4+2 6P & 6+2	2206700038000	2
5-7	2TB120	150 cm Tube / Pipe (Hydraulic Brake ) for 4 and 4+2	2206700013000	1
5-8	2TB165	Tube / Pipe 200mm for 4P, 4+2 6P & 6+2	2206700016000	1
5-9	2TB242	Tee joint valve M10*1 10mm for 4P, 4+2, 6P & 6+2	2201706001000	2
5-10	3HD156	M10, Nylon Lock Nut, zinc plated for 2P, 2+2, 4 and 4+2	2200401010000	1
6		Front brake	2905409040000	1
6-1	2CL710	Front Driver Side CALIPERS w/ pads for 4P, 4+2, 6P & 6+2	2205500079000	1
6-2	2CL711	Front Passenger Side CALIPERS w/ pads for 4P, 4+2, 6, 6+2	2205500080000	1
6-3	3HD849	M8 x 20 Hex Head Bolt GB/T5783 for 2P, 2+2, 4 and 4+2	2200100039000	4
6-4	3HD819	M8 Spring Washer GB/T93,8 for 2P, 2+2, 4 and 4+2	1205002002000	4
6-5	3HD844	M8 Flat Washers GB/T96.2 8 for 2P, 2+2, 4 and 4+2	2200700022000	4

# 6-B 6P and 6+2 Hydraulic Brake System



Item No.	STAR EV Part No.	Description	MPN	Qty
1	#N/A	Brake pedal mounting accessories	2905408024000	1
1-1	2PD750	Foot Pedal Assembly - throttle and brake for 4P, 4+2, 6P & 6+2	2206200244000	1
1-2	2PD770	LINKAGE -Connection Rod with 2 Yokes for 4P, 4+2, 6P & 6+2	2204900178000	1
1-2-1	2PD768	Clevis Connector - Brake pedal main connector	2204900179000	1
1-2-2	2PD767	Connecting rod of main connector	2204900180000	1
1-2-3	3HD868	M8 Hexagon nut: GB/T6170,M8, Dacromet plated	2200400145000	2
1-2-4	2PD769	Clevis Connector - Brake Pedal Hydraulic Connector for 4P, 4+2 6P & 6+2	2204900181000	1
1-2-5	2HD203	φ8 * 28 CLEVIS PIN	2200902082000	2
1-2-6	3HD869	M8 Flat washer:GB/T97.1,M8(16*8.4*1.6), Dacromet plated	2500600012000	2
1-2-7	2HD214	2.5 x 22 Cotter Pin GB/T91 2.5*22 zinc plated	2200900008000	2
1-3	2MC052	Connecting push rod of master cylinder	2204900182000	1

1-3-1	2PD769	Clevis Connector - Brake Pedal Hydraulic Connector for 4P, 4+2, 6P & 6+2	2204900181000	1
1-3-2	2MC040	Adjusting Rod Only for 4P, 4+2 6P an 6+2	2204900027000	1
1-3-3	3HD868	M8 Hexagon nut: GB/T6170,M8, Dacromet plated	2200400145000	1
1-3-4	2HD203	φ8 * 28 CLEVIS PIN	2200902082000	1
1-3-5	3HD869	M8 Flat washer:GB/T97.1,M8(16*8.4*1.6) Dacromet plated	2500600012000	1
1-3-6	2HD214	2.5 x 22 Cotter Pin GB/T91 2.5*22 zinc plated	2200900008000	1
1-4	2PD771	Pivot Arm Assembly for Master Cylinder for 4P, 4+2 6P & 6+2	2202100363000	1
1-4-1	2PD774	PIVOT ARM - (shaft sleeve bracket) for 4P, 4+2 6P & 6+2	2205001882000	1
1-4-2	2PD775	SLEEVE φ16*14 for Pivot Arm (2PD774) for 4P, 4+2 6P & 6+2	2202100364000	2
1-4-3	2PD776	SHAFT ROD φ10*106 for Pivot Arm (2PD774) for 4P, 4+2 6P & 6+2	2204800113000	1
1-4-4	3HD868	M8 Hexagon nut: GB/T6170,M8, Dacromet plated	2200400145000	4
1-5		Hexagon headed bolt, m8 x 25mm	2200100467000	4
1-6	3HD869	M8 Flat washer:GB/T97.1,M8(16*8.4*1.6) Dacromet plated	2500600012000	8
1-7	3HD816	All metal insert lock nut, m8 Dacromet plated	2200450003000	4
2		Parking device	2900500218000	1
2-1	2PB800	Parking handle Assembly for 4P, 4+2 6P & 6+2	2905411016000	1
2-1-1	2PB801	Mounting Base for Handbrake for 4P, 4+2 6P & 6+2	2208100014S10	1
2-1-2		Hexagon headed bolt, m8 x 25mm	2200102128000	4
2-1-3	3HD869	M8 Flat washer:GB/T97.1,M8(16*8.4*1.6) Dacromet plated	2500600012000	8
2-1-4	3HD816	All metal insert lock nut, m8 Dacromet plated	2200450003000	4
2-1-5	2PB802	Parking handle for 4P,4+2,6P & 6+2	2209700001000	1
2-1-6	3HD883	M8 x 25 Outer hexagon bolt GB/T5783, M8*25, A2-70	2200102184000	1
2-1-7	3HD802	M8 X 45 Outer hexagon bolt SS GB/T5783 , M8*45, A2-70	2200102168000	1
2-1-8	3HD880	M8 Spring washer :GB/T93,8.1	2200701092000	2
2-1-9	3HD878	M8 Flat Washer GB/T97.1 ' M8(16*8.4*1.6) 'A200	2500600018000	2
2-1-10	2PB803	Decorative cover for base of Parking brake 4P, 4+2, 6P & 6+2	2300800028000	1
2-2		Parking cable and installation accessories		1
2-2-1	2CB850	Handbrake cable assembly L =2980mm	2206900083000	1
2-2-2	2CB083	Clip / Snap Ring for cable on for 4P, 4+2 6P & 6+2	2207901006000	1
3		Brake pump mounting accessories	2905564005000	1
3-1	2MC050	Master Cylinder Flange / Side Mount (ALL HYDRAULIC)	3103023889	1
3-2	3HD804	M8 x 30 Hexagon bolt GB/T5783, DACROMET	2200102129000	2
3-3	3HD869	M8 Flat washer:GB/T97.1,M8 (16*8.4*1.6), Dacromet plated	2500600012000	4
3-4	3HD816	All metal insert lock nut, m8 Dacromet plated	2200450003000	2
3-5	2MC900	Sealing Washer for 4P, 4+2 6P & 6+2	2200703009000	4
3-6	2TB030	Brake fluid tank (Reservoir ) for 4P, 4+2 6P & 6+2	2303300013A00	1

3-7		M6*15 Cross Recessed Flat Head ScrewsGB/T973,	2200305034000	2
3-8		M6 FLAT WASHER (12*6.4*1.6) GB/T97.1,	2500600011000	2
3-9		M6 All metal insert lock nut GB/T6184	2200450002000	2
3-10	2TB029	Tube for Brake Reservoir $\phi 15^* \phi 8.5$ for 4P, 4+2 6P & 6+2	2300500002000	1.5M
3-11	2TB028	Tube Clamp $\phi 16$ mm for 4P, 4+2 6P & 6+2	2207901008000	4
4		Brake hose assembly		1
4-1	2TB234	40cm Flexible Tube for FRONT disc brakes for 4P, 4+2 6P & 6+2	2206700037000	1
4-2	2TB229	Tube / Pipe (Brake) 300mm $\phi 5^*1$ for 4P, 4+2 6P & 6+2	2206700010000	2
4-3	2TB231	Tube / Pipe (Brake) 800mm for 4P, 4+2 6P & 6+2	2206700011000	2
4-4	2TB232	Tube/ Pipe (Brake) 2300, $\phi 5^*1$ for 6P & 6+2	2206700027000	1
4-5	2TB165	Tube / Pipe 200mm for 4P, 4+2 6P & 6+2	2206700016000	1
4-6	2TB242	Tee joint valve M10*1 10mm for 4P, 4+2 6P & 6+2	2201706001000	2
4-7	3HD816	All metal insert lock nut, m8 Dacromet plated	2200450003000	1
4-8	3HD008	M10 x 30 hex head bolt Dacromet GB/T5783	2200102097000	1
4-9	3HD161	M10, Spring Washer GB/T93,10.2 Dacromet for 2P, 2+2, 4P, 4+2, 6P & 6+2	2200701087000	1
4-10	3HD153	M10, Flat washer, GB/T97.1 ,M10(20*10.5*2) Dacromet	2500600013000	1
4-11	2TB700	40cm front brake tubing for 4P, 4+2 6P & 6+2	2206700038000	2
5		FRONT BRAKE	2905409040000	1
5-1	2CL710	Front Driver Side CALIPERS w/ pads for 4P, 4+2 6P & 6+2	2205500079000	1
5-2	2CL711	Front Passenger Side CALIPERS w/ pads for 4P, 4+2 6P & 6+2	2205500080000	1
5-3		Hexagon headed bolt, m8 x 25mm	2200102128000	4
5-4	3HD870	M8 Spring Washer: GB/T93, 8.1	2200701086000	4
5-5	3HD869	M8 Flat washer: GB/T97.1,M8(16*8.4*1.6) Dacromet plated	2500600012000	4

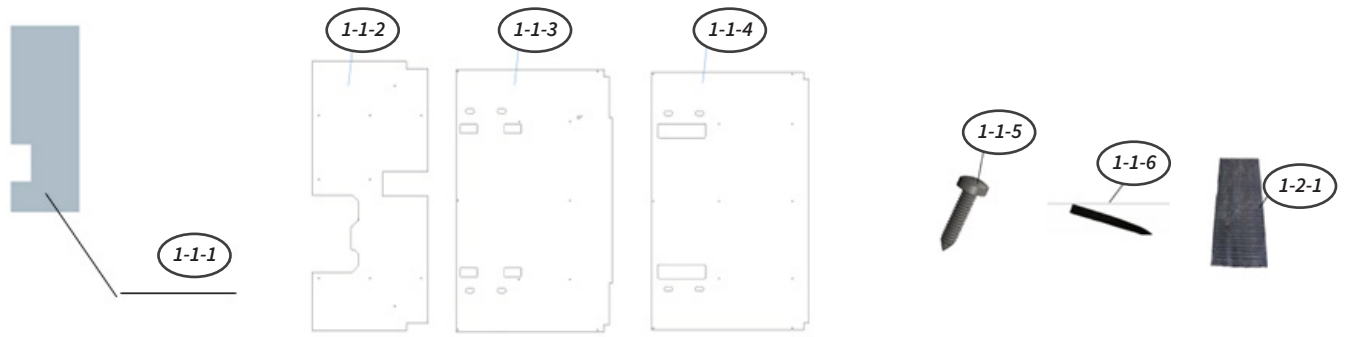


## 7 Tires and Rims



Item No.	STAR EV Part No.	Description	MPN	Qty
1	2TR503	Default July 2020 & earlier (2TR000 w/ 2RM100) 205/50-10 CST tire w/ BlackMachined 8 spoke & cap for 2P, 2+2, 4 and 4+2		4
2	2TR000	Default July 2020 & earlier 205/50-10 CST tire for 2P, 2+2, 4 and 4+2		4
3	2RM100	"Default July 2020 & earlier 10 x 6 BlackMachined 8 spoke with Center Cap for 2P, 2+2, 4 and 4+2"		4
4	2CC130	Center Cap for 2P, 2+2, 4 and 4+2		4
	2VL900	Valve for 2P, 2+2, 4 and 4+2		4
	2LN050	Lug nut - M12 x 1.25, chrome plated for 2P, 2+2, 4 and 4+2		16
5	2RM035	10 x 7 (0mm offset) Machined BlackHoneycomb with silver rivet (JULY 2020 & AFTER) for 2P, 2+2, 4 and 4+2		4
	2TR100	205/65 R10 4ply Kenda Radial tire for 2P, 2+2, 4 and 4+2		4
6	2CC116	Center Cap (Matte Black) with "JH" logo sticker Shorter for 2P, 2+2, 4 and 4+2		1

## 8 Flooring and Body



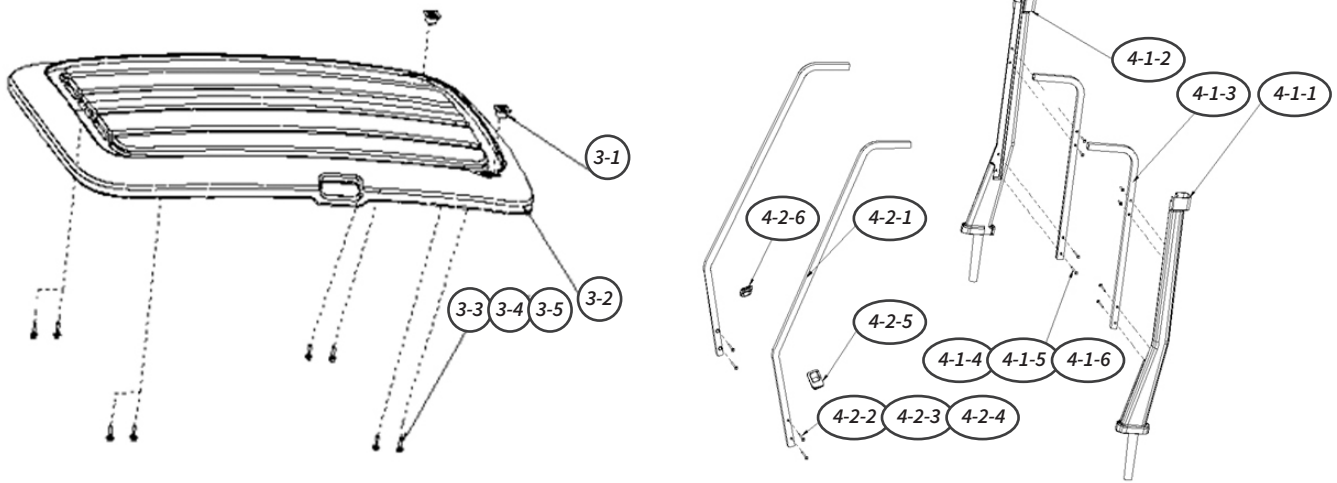
Item No.	STAR EV Part No.	Description	MPN	Qty
1		Firewall and floormat		
1-1		Iron floor (firewall) and installation accessories		
1-1-1	2BD800	Front Steel Floor (firewall) 495*1100 for 2P, 2+2, 4 and 4+2	2207301171A10	1
1-1-1	2BD801	Front Bottom Steel Floor (firewall) 360*980 for 2P, 2+2, 4 and 4+2	2207301172A20	1
1-1-1	2BD811	Front bottom plate / floor (FIREWALL) for Capella 6P, 6+2	2207205557000	1
1-1-2	2BD805	Base Plate 1 (firewall) 4P and 4+2	2207302115000	1
1/1/2002	2BD812	Hydraulic base plate 6P and 6+2	3302025504	1
1-1-3	2BD806	Base Plate 2 (firewall) 4P and 4+2	2207302114000	1
1-1-3	2BD813	Hydraulic base plate 2 for 6P and 6+2	3302018394	1
1-1-4	2BD814	Hydraulic base plate 3 for 6P and 6+2	3302018358	1
1-1-5	3HD601	Cross recessed countersunk head self drilling self tapping screw GB/T15856.2 ST4.2×25	2200300068000	20
1-1-6	2BD715	25mm*3.0mm EVA die cutting flat strip for 2P, 2+2, 4 and 4+2	2302605041000	10
1-2		Rubber floor liner	2905457002000	1
1-2-1	2FM400	2P Floor Mat (liner) 900*1140	2302600132000	1
1-2-1	2FM401	4P Floor Mat (liner) 1650*1140	2302600131000	1
1-2-1	2FM279	UNCUT roll Floormat for 6P & 6+2	2302600108000	1.2
1-2-2	3HD865	Plastic nail $\phi$ 20*1.5 $\phi$ 10, L=22mm for 2P, 2+2, 4 and 4+2	2301700004000	10

## 9 Front Bumper Assembly



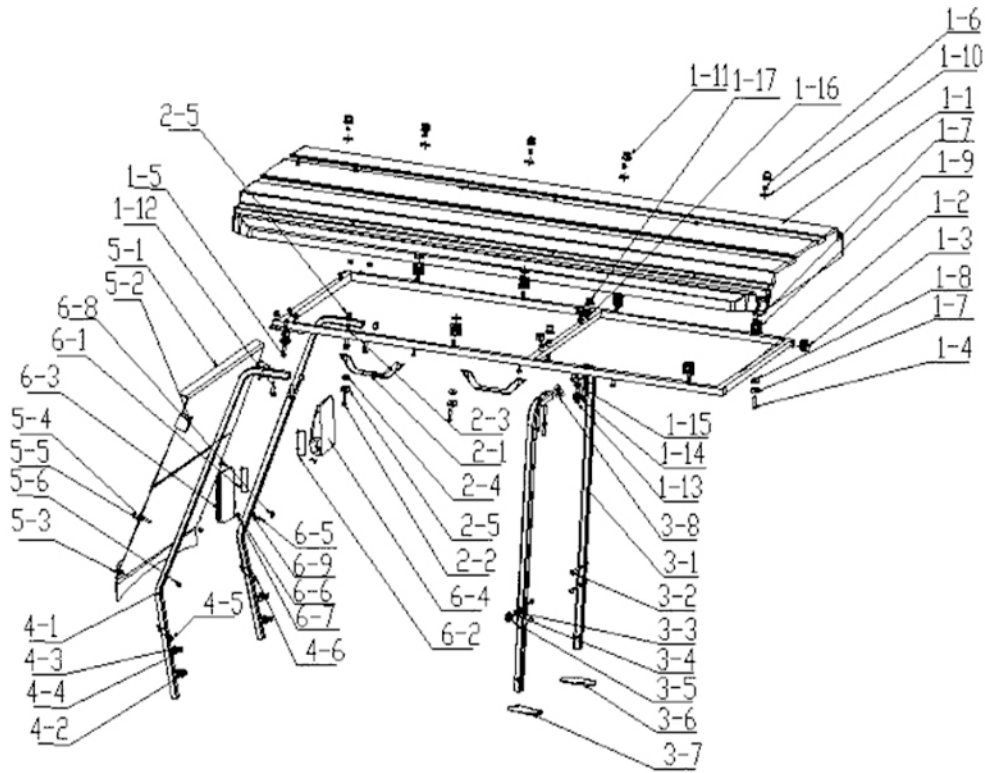
Item No.	STAR EV Part No.	Description	MPN	Qty
2		Front Bumper		1
2-1		Front bumper and installation accessories	2905454008000	1
2-1-1	2BU800	Bumper-Front .	2206400035A10	3
2-1-2	3HD846	M8 x 12 Hex Bolt GB/T5783 zinc plated	2200100177000	3
2-1-3	3HD841	M8, Flat Washer, M8 Zinc plated	2200700081000	3
2-1-4	3HD819	M8 Spring Washer GB/T93,8	2200701011000	1
2-2		Front bumper mount	2905454004000	1
2-2-1	2BU801	Mounting Bracket for front bumper	2208100250A20	2
2-2-2	2BU802	Adjusting Bracket For Front Bumper for 2p, 2+2, 4 & 4+2	2208605094000	2
2-2-3	3HD802	M8 x 45 Outer hexagon bolt SS GB/T5783, M8*45 A2-70	2200100103000	2
2-2-4	3HD814	M8 A200 SS Flat Washer	2200700021000	2
2-2-5	3HD818	M8 Spring Washer	2200701012000	

## 10 Roofs and Support Brackets ( 2 Passenger)



Item No.	STAR EV Part No.	Description	MPN	Qty
3		2 Passenger Roof Installation		
3-1	2RF942	Filter Plug for Roof for 2P	2301906066000	2
3-2	2RF700	Roof - CAPELLA for 2P	2302501918000	1
3-3	3HD109	M10 x 35 Hex Bolt A2-70-SS for 2P	2200100164000	8
3-4	3HD116	M10, SS Spring Washer for 2P	2200701014000	8
3-5	3HD821	M10 FLAT Washer GB/T97.1, 10 for 2P	2200700085000	8
4		2 Passenger Roof Supports		
4-1		Rear Roof Brackets and Hardware		1
4-1-1	2BK202	B column Driver for 2P	2208300071A00	1
4-1-2	2BK204	B column Passenger for 2P	2208300072A00	1
4-1-3	2BK200	Roof support Rear Driver or Passenger for CAPELLA for 2P	2208300076A10	2
4-1-4	3HD801	M8 x 35 A2-70 SS Hex Bolt for 2P	2200100066000	8
4-1-5	3HD814	M8 A200 SS Flat Washer	2200700021000	8
4-1-6	3HD818	M8 Spring Washer	2200701012000	8
4-2		2 Passenger Front Roof Supports		
4-2-1	2BC200	Roof Support Front	2208300075010	2
4-2-2	3HD802	M8 x 45 Outer hexagon bolt SS GB/T5783, M8*45, A2-70	2200100103000	4
4-2-3	3HD814	M8 A200 SS Flat Washer	2200700021000	4
4-2-4	3HD818	M8 Spring Washer	2200701012000	4
4-2-5	2BC905	Driver bracket cover for 2P	2202100286A00	1
4-2-6	2BC906	Passenger bracket cover for 2P	2202100287A00	1

# 10-1 Roofs and Support BRackets 2+2, 4P, 4+2, 6P and 6+2



Item No.	STAR EV Part No.	Description	MPN	Qty
1				
1-1 (2+2)	2RF709R	CAPELLA 2+2 roof, Metallic Silver	2302502010000	1
	2RF710R	CAPELLA 2+2 roof, PURE WHITE	2302502007000	1
	2RF711R	CAPELLA 2+2 roof, BLACK	2302502008000	1
	2RF712R	CAPELLA 2+2 roof, CANDY APPLE RED	2302502009000	1
	2RF713R	CAPELLA 2+2 roof, FOREST BLUE MIST	2302502005000	1
	2RF714R	CAPELLA 2+2 roof, COASTAL BLUE	2302502011000	1
	2RF715R	CAPELLA 2+2 roof, SUNBURST ORANGE	2302502004000	1
	2RF716R	CAPELLA 2+2 roof, ROYAL BLUE	2302502006000	1
	2RF717R	CAPELLA 2+2 roof, BEIGE	2302502020000	1
	2RF718R	CAPELLA 2+2 roof, LIME GREEN	2302502024000	1
	2RF719R	CAPELLA 2+2 roof or 4P Yellow	2302502025000	1
1-1 (4P)	2RF740R	Roof-Capella-4P Pure White	2302502029000	1
	2RF741R	Roof-Capella-4P Black	2302502030000	1
	2RF742R	Roof-Capella-4P Candy Apple Red	2302502031000	1
	2RF743R	Roof-Capella-4P Forest Blue Mist	2302502027000	1
	2RF744R	Roof-Capella-4P Coastal Blue	2302502033000	1
	2RF745R	Roof-Capella-4P Sunburst Orange	2302502026000	1

1-1 (4P)	2RF746R	Roof-Capella-4P Royal Blue	2302502028000	1
	2RF747R	Roof-Capella-4P Beige	2302502034000	1
	2RF748R	Roof-Capella-4P Lime Green	2302502035000	1
	2RF749R	Roof-Capella-4P Yellow	2302502036000	1
	2RF799R	Roof-Capella-4P Metallic Silver		1
1-1 (4+2)	2RF750R	CAPELLA 4+2 roof, PURE WHITE	2302502015000	1
	2RF751R	CAPELLA 4+2 roof, BLACK	2302502016000	1
	2RF752R	CAPELLA 4+2 roof, CANDY APPLE RED	2302502017000	1
	2RF753R	CAPELLA 4+2 roof, FOREST BLUE MIST	2302502013000	1
	2RF754R	CAPELLA 4+2 roof, COASTAL BLUE	2302502019000	1
	2RF755R	CAPELLA 4+2 roof, SUNBURST ORANGE	2302502012000	1
	2RF756R	CAPELLA 4+2 roof, ROYAL BLUE	2302502014000	1
	2RF757R	CAPELLA 4+2 roof, BEIGE	2302502023000	1
	2RF758R	CAPELLA 4+2 roof, LIME GREEN		1
	2RF759R	CAPELLA 4+2 roof, YELLOW		1
	2RF763R	CAPELLA 4+2 roof, Metallic Silver	2302502018000	1
1-1 (6P)	2RF720R	Roof-Capella-6L Pure White	2302502050000 - White	1
	2RF721R	Roof-Capella-6L Black	2302502050000 - Black	1
	2RF722R	Roof-Capella-6L Candy Apple Red	2302502050000 - Red	1
	2RF723R	Roof-Capella-6L Forest Blue Mist	2302502050000 - Gray	1
	2RF724R	Roof-Capella-6L Coastal Blue	2302502050000 - Coastal	1
	2RF725R	Roof-Capella-6L Sunburst Orange	2302502050000 - Orange	1
	2RF726R	Roof-Capella-6L Royal Blue	2302502050000 - Navy	1
	2RF727R	Roof-Capella-6L Beige	2302502050000 - Beige	1
	2RF728R	Roof-Capella-6L Lime Green	2302502050000 - Green	1
	2RF729R	Roof-Capella-6L Yellow	2302502050000 - Yellow	1
	2RF760R	Roof-Capella-6L Metallic Silver	2302502050000 - Silver	1
	2RF792R	Roof - Capella 6L - Black Textured	3402009087	1
1-1 (6+2)	2RF730R	Roof-Capella-6+2 Arctic White	2302502000000 - White	1
	2RF731R	Roof-Capella-6+2 Black	2302502000000 - Black	1
	2RF732R	Roof-Capella-6+2 Candy Apple Red	2302502000000 - Red	1
	2RF733R	Roof-Capella-6+2 Forest Blue Mist	2302502000000 - Gray	1
	2RF734R	Roof-Capella-6+2 Coastal Blue	2302502000000 - Coastal	1
	2RF735R	Roof-Capella-6+2 Sunburst Orange	2302502000000 - Orange	1
	2RF736R	Roof-Capella-6+2 Royal Blue	2302502000000 - Navy	1
	2RF737R	Roof-Capella-6+2 Beige	2302502000000 - Beige	1
	2RF738R	Roof-Capella-6+2 Lime Green	2302502000000 - Green	1
	2RF739R	Roof-Capella-6+2 Yellow	2302502000000 - Yellow	1

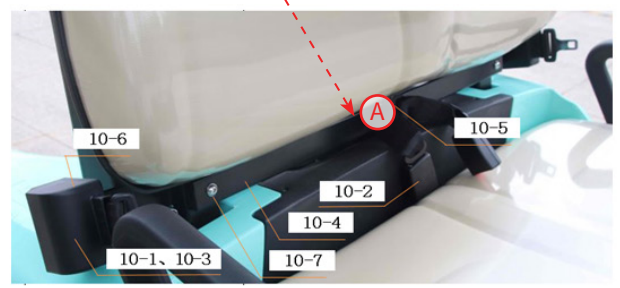
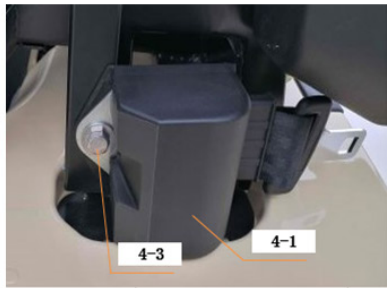
	2RF761R	Roof-Capella-6+2 Metallic Silver	2302502000000-Silver	1
1-2 (2+2)	2UB200	U Support only for Capella 2+2	2207202099010	1
	2UB200A	U Support WITH ALL HARDWARE and 3 handles for CAPELLA 2+2	2207202099010+handles	1
	2UB212A	ALUMINUM : U Support WITH ALL HARDWARE and 3 handles for CAPELLA 2+2		1
1-2 (4P)	2UB202	U Support only for CAPELLA 4P	2205001684010	1
	2UB202A	U Support WITH ALL HARDWARE and 3 handles for CAPELLA 4P	2200025428000	1
	2UB222A	ALUMINUM : U Support WITH ALL HARDWARE and 3 handles for CAPELLA 4P	2200023652S00	1
1-2 (4+2)	2UB204	U Support WITH ALL HARDWARE and 5 handles for CAPELLA 4+2	2207202098010	1
	2UB210A	ALUMINUM : U Support WITH ALL HARDWARE and 5 handles for CAPELLA 4+2	2200024091S00	1
1-2 (6P)	2UB208	U Support only for Capella 6P	2205001683A20	1
	2UB208A	U Support WITH ALL HARDWARE and 5 handles for Capella 6P		1
1-2 (6+2)	2UB206	U Support for Capella 6+2	2400302198000	1
	2UB206A	U Support WITH ALL HARDWARE and 7 handles for Capella 6+2		1
1-3	2RF995	Rubber grommet 26*26*3mm	2301906016000	4
1-4	3HD866	M8 x 100 Hexagon socket flat round head screw: for 2+2, 4P, 6P	2200413072000	2
	3HD867	M8 x 70 Hexagon socket flat round head screw for 4+2	2200301231000	14
	3HD833	M8 x 90 Hexagon socket flat round head screw for 6+2	2200301246000	2
1-5	3HD867	M8 x 70 Hexagon socket flat round head screw for 2+2, 4P, 6P	2200301231000	8
	3HD834	M8 x 85 Hexagon socket flat round head screw: for 6+2	2200301245000	10
1-6	3HD868	M8 Hexagon nut: GB/T6170,M8, Dacromet plated 2+2, 4P,4+2. 6P	2200400145000	10
	3HD879	M8 Hexagon Lock Nut with non-metallic insert GB/T889.1 ' M8,A2-70 for 6+2	2200401052000	10
1-7	3HD869	M8 Flat washer:GB/T97.1,M8(16*8.4*1.6) Dacromet plated	2500600012000	20
1-8	3HD870	M8 Spring Washer: GB/T93, 8.1	2200701086000	20
1-9	2BS751	"Rubber insert, $\phi 26 \times \phi 12 \times 28$ , with $\phi 12 \times \phi 8 \times 26$ zinc plated steel Bushing for Roof for 2+2, 4 and 4+2"	2301903013C00	12
1-10	2RF994	Rubber Washer $\phi 16 \times \phi 9 \times 3$	2301903001C00	10
1-11	3HW305	M8 Cap- plastic round cap nut cover (Large) M8	2301902005000	10
1-12	3HD871	M10 x 50 Outer hexagon bolt GB/T5783 M10*50A2-70	2200102107000	4
1-13	3HD872	M10 x 70 Outer hexagon bolt GB/T5782 M10*70 A2-70	2200102109000	4

1-14	2RF992	Bending plate (mounting bracket) DG.C4+2.8-10000011 (A/0) ' 4mm-Q235 for 4+2	2207301736A00	2
1-15	3HD876	M6 x 40 Cross recessed pan head screw GB/T818, M6*40 A2-70	2200304213000	
1-16	3HD629	M6 A200 SS Flat Washer	2200700015000	
1-17	2WS476	M6, A2-70 Lock Nut stainless steel: GB/T889.1 M6 A2-70 GB/T889.1 M6 A2-7	2200401054000	
1-18	2RF991	4+2 Roof Rubber Pad for 4+2	230190808500	2
1-14	3HD864	M10 Washer GB/T97.1 M10(20*10.5*2) A200	2500600019000	8
1-15	3HD873	M10 Spring Washer: GB/T93,10.2	2200701093000	8
1-16	3HD874	M10 Hexagon Lock Nut with non-metallic insert GB/T889.1 M10, A2-70	2200401053000	8
1-17	3HD875	M10 screw head protective cap	2301902043000	8
2	2RF040	Handle Set	2902700109000	3 for 2+2, 4P 5 for 4+2,6P,6+2"
2-1	2RF941	Handle only - no hardware	2301200001000	1
2-2	3HD876	M6 x 40 Cross recessed pan head screw GB/T818, M6*40 A2-70	2200304213000	2
2-3	2WS476	M6, A2-70 Lock Nut stainless steel: GB/T889.1 M6 A2-70 GB/T889.1 M6 A2-7	2200401054000	2
2-4	3HD861	Washer GB/T97.1 M6 (12*6.4*1.6) A200	2500600017000	2
2-5	3HW306	Cap-plastic round cap nut cover (Small) M6	2301902003000	2
3		Rear Roof Supports		1
3-1	2BK210	Rear Driver side Roof Support 2+2, 4+2 (2023 & OLDER)	3302013991	1
	2BK210B	Rear Driver side Roof Support (SHORTER) 2+2, 4+2 (2024 & NEWER)	3302028991	1
	2BK211	Rear Passenger side Roof Support 2+2, 4+2 (2023 & OLDER)	3302013992	1
	2BK211B	Rear Passenger side Roof Support (SHORTER) 2+2, 4+2 (2024 & NEWER)	3302028994	1
	2BK218	Rear Driver side Roof Support 4P, 6P	2208300234000	1
	2BK219	Rear Passenger side Roof Support 4P, 6P	2208300236000	1
	2BK220	Rear Driver or Passenger side Roof Support 6+2	3302022357	2
3-2	3HD877	M8 x 80 Outer hexagon bolt GB/T5783 ' M8*80 ' A2-70	2200102167000	6
3-3	3HD878	"M8 Flat Washer GB/T97.1 ' M8(16*8.4*1.6) ' A200"	2500600018000	12
3-4	3HD879	M8 Hexagon Lock Nut with non-metallic insert GB/T889.1 ' M8,A2-70	2200401052000	6
3-5	3HW305	M8 Cap- plastic round cap nut cover (Large) M8	2301902005000	8
3-6	2BK911	Rubber cover for Passenger Side - Rear roof supports	2301906069010	1
3-7	2BK910	Rubber cover for Driver Side - Rear roof supports	2301906119000	1
3-8	2BK915	Plug for Rear roof supports	2301906002000	2



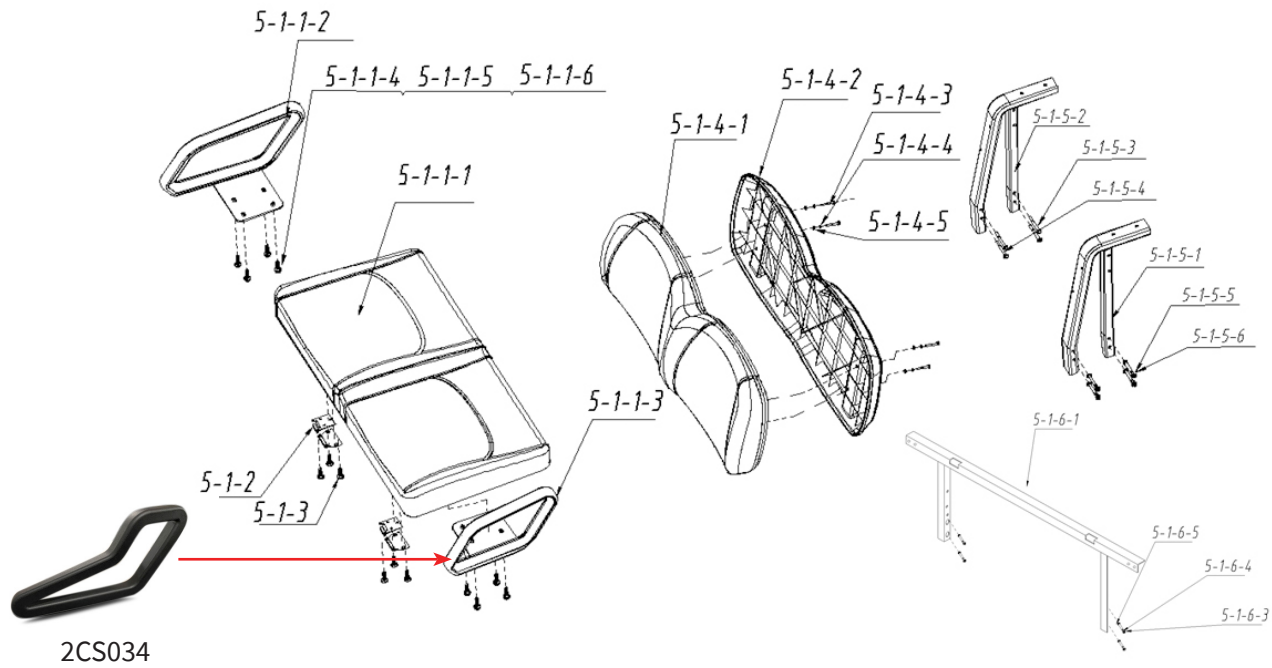
4		Front Roof Supports		1
4-1	2BC200	Roof Support Front for CAPELLA for 2 , 2+2, 4 and 4+2	2208300075010	2
	2BC211	Roof Support Front for CAPELLA for 6 and 6+2	2208300251000	2
4-2	3HD802	M8 x 45 Outer hexagon bolt SS GB/T5783, M8*45 A2-70	2200102168000	4
4-3	3HD878	"M8 Flat Washer GB/T97.1 ' M8(16*8.4*1.6) ' A200"	2500600018000	4
4-4	3HD880	M8 Spring washer: GB/T93,8.1	2200701092000	4
4-5	2BC905	Driver bracket cover	2202100286A00	1
4-6	2BC906	Passenger bracket cover	2202100287A00	1
5		Windshield		1
5-1	2WS091	Windshield - Flip Tinted Capella 2P, 2+2, 6P,6+2	2400700451000	1
	2WS093	Windshield - Flip TINTED for Capella 4p / 4+2		1
	2WS493	Windshield - NEV 1pc GLASS with Frame with DOT AS1 Stamp		1
	2WS495	Windshield NEV - FLIP CLEAR for CAPELLA NEV (D.O.T.) with AS5 DOT STAMP		1
	2WS027	Windshield - NEV 1pc GLASS with Frame with DOT AS1 Stamp	2400700441000	1
5-2	2WS472	BlackRubber mount $\Phi 20 \times \Phi 14 \times 16$ , 7mm opening, includes $\phi 10 \times \phi 7 \times 14$ Bushing for windshield- SIRIUS/ CAPELLA for 2, 2+2, 4 and 4+2	2303900005C00	4
5-3	2WS473	Rubber cushions / bumpers for windshield	2301903003000	4
5-4		M6*65 Cross slotted pan head screw GB/T818 A2-70	2200304126000	4
5-5	3HD882	M6 Large Washer GB/T96 ' M6 (18*6.4*1.6)	2200704005000	4
5-6	2WS476	"M6, A2-70 Lock Nut stainless steel: GB/T889.1 M6 A2-70 GB/T889.1 M6 A2-7 for 2, 2+2, 4 and 4+2"	2200401054000	4
6				1
6-1	2MR520	Bracket for Mirror (Driver Side)	2208100222A10	1
6-2	2MR521	Bracket for Mirror (Passenger Side)	2208100223A10	1
6-3	2MR510	Mirror - Driver Side	2207600079000	1
6-4	2MR515	Mirror - Passenger Side	2207600080000	1
6-5	3HD857	M6 x 16 Hexagon socket head cap screw: GB/T70.1 M6*16 A2-70	2200300159000	4
6-6	3HD861	"Washer GB/T97.1 ' M6 (12*6.4*1.6) ' A200 ' for 2, 2+2, 4 and 4+2"	2500600017000	8
6-7	2WS476	M6, A2-70 Lock Nut stainless steel: GB/T889.1 M6 A2-70 GB/T889.1 M6 A2-7	2200401054000	4
6-8	3HW306	Cap- plastic round cap nut cover (Small) M6	2301902003000	4
6-9	3HD861	M6 Spring Washer GB / T93,6.1	2200701091000	4

# 11 Seat Belts



Item No.	STAR EV Part No.	Description	MPN	Qty
4		Seat belt parts for Flip Seats		2
4-1	2SB101	Male- Seatbelt Only Front, Pod or FLIP	2501304030000	2
4-2	2SB103	FEMALE- Seatbelt ONLY FLIP SEAT ONLY for 2+2 , 4+2, 6+2	2501304031000	2
4-3	3HD802	M8 x 45 Outer hexagon bolt SS GB/T5783, M8*45, A2-70	2200301021000	2
4-4	3HD848	M8 Flat Washer GB/T97.2,8,A200	2200302012000	1
4-5	3HD814	M8 A200 SS Flat Washer	2200700021000	6
4-6	3HD818	M8 Spring Washer	2200701012000	3
4-7	3HD816	M8 A2-70 SS Lock Nut for 2, 2+2, 4 and 4+2	2200401003000	3
10		Seat belt parts for seating over batteries		
10-1	2SB101	Male- Seatbelt Only - Front, Pod or FLIP	2501304030000	2
10-2	2SB102	Female - Seatbelt ONLY -Front or POD	2202001065000	2
10-3	2SB109	Extension Bracket for seat belt bar & seatbelt	2203014582000	2
10-4	2SB100	BAR - Seatbelt bar for over batteries	2208400552A00	1
10-4	2SB105	BAR - Seatbelt bar for POD SEAT	2.2072E+12	1
10-5	3HD801	M8 x 35 A2-70 SS Hex Bolt for 2+2 and 4+2	2200301020000	1
10-6	3HD093	Hexagon socket flat round head screw GB/T70.2 M8* 25 A2-70 for 2+2 and 4+2	2200301023000	2
10-7	3HD095	Hexagon socket flat round head screw \GB/T70.2 M8*70 for 2+2 and 4+2	2200301007000	2
A	2BY998	Acess Panel for Rear Body CAPELLA	2300400325000	1
10-8	3HD814	M8 A200 SS Flat Washer	2200700021000	10
10-9	3HD818	M8 Spring Washer	2200701012000	5
10-10	3HD816	M8 A2-70 SS Lock Nut for 2+2 and 4+2	2200401003000	5

## 12 Over the Battery Seating and Cushions Assemblies

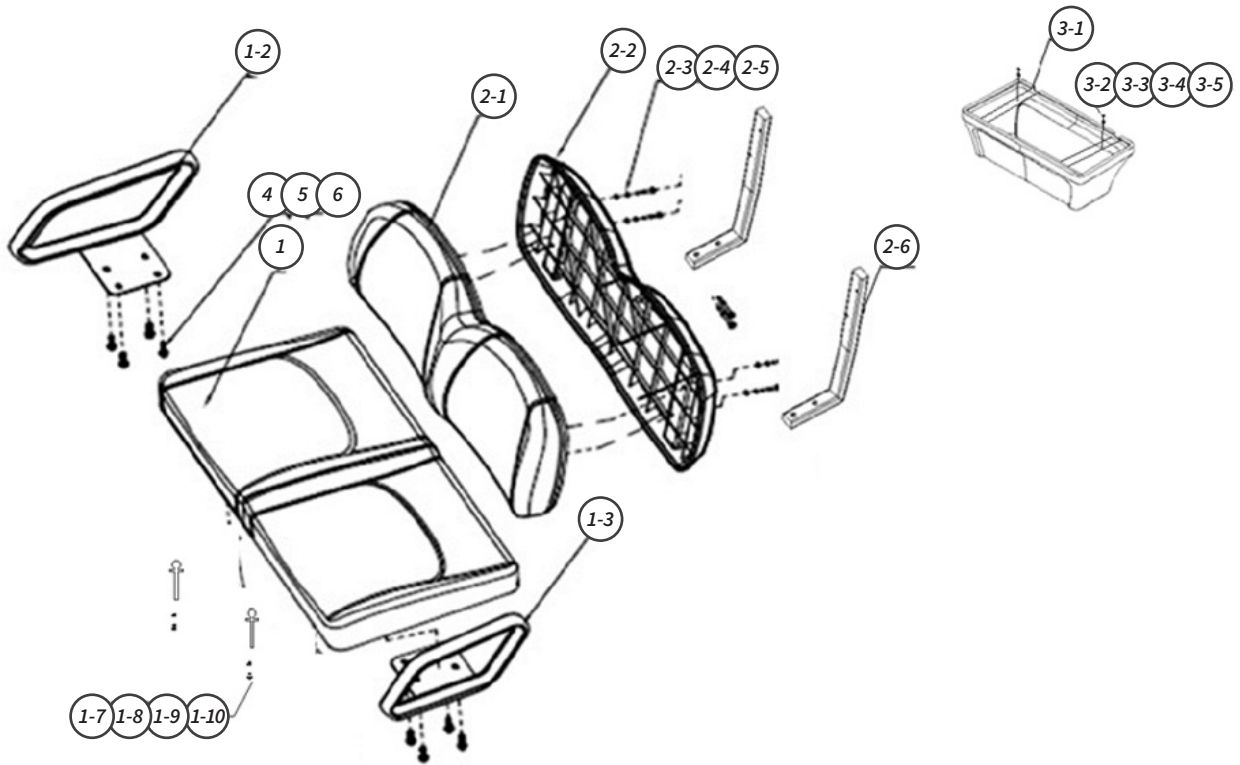


Item No.	STAR EV Part No.	Description	MPN	Qty
5-1		Seat over batteries and installation accessories	2903200563000	1
5-1-1		Cushion Assembly	2902701098000	1
5-1-1-1	2CS452	BEIGE - Bottom Cushion for Over Batteries	2501500246020	1
	2CS452-HK	BEIGE- Bottom cushion for over batteries*HK ONLY* IMPROVED	3108024550	1
	2CS462	BLACK Bottom Cushion (Over Batteries)	2501500247010	1
	2CS462-HK	BLACK Bottom Cushion (over batteries)*HK ONLY* IMPROVED	3108024442	1
	2CS492	BLACK / WHITE Bottom Cushion (over batteries)	2501500282000	1
	2CS532	-2 Tone BLACK & Carbon Fiber Bottom Cushion (over batteries)		1
	2CS812	TAN & BLACK Bottom Cushion for Over Batteries (WD)		1
	2CS822	GRAY & BLACK Bottom cushion for over batteries (WD- Cushion)		
	2CS837	BLACK Bottom Cushion for Over Batteries (WD)		1
	2CS842	PRO-BEIGE bottom over the batteries (WD- Cushion)		1
	2CS892	BLACK / GREY / WHITE Bottom Cushion for Over Batteries (WD-Cushion)		1
	2CS932	BLACK / GREY / RED Bottom Cushion for Over Batteries (WD)		1
2CS942	BLACK / GREY / COASTAL BLUE Bottom Cushion for Over Batteries (WD)			

5-1-1-2	2CS036	Armrest-Front Passenger & POD Passenger Side		1
5-1-1-3	2CS034	Armrest - Driver SEAT (NEW DESIGN with lower front) *not same a picture above for 2 and 2+2 - pictured below chart	2202600302000	1
5-1-1-3	2CS035	Armrest - over batteries -Driver Side 4P and longer	2202600150A00	1
5-1-1-4	3HD800	M8 x 30 A2-70 SS Hex Bolt	2200100010000	8
5-1-1-5	3HD814	M8 A200 SS Flat Washer	2200700021000	8
5-1-1-6	3HD818	M8 Spring Washer	2200701012000	8
5-1-2	2HG040	Seat Hinge	2202200001000	2
5-1-3	3HD071	M6 x 20 Screw, Counter Sunk, A2-70	2200302002000	10
5-1-4		Backrest Assembly	2902701101000	1
5-1-4-1	2CS451	Beige Backrest Cushion - Front, pod & OEM Flip seat	2501500250010	1
	2CS451-HK	BEIGE Backrest Cushion - Front, pod & OEM Flip seat *HK ONLY*IMPROVED	3407012635	1
	2CS461	BLACK Backrest Cushion - pod, battery seat & OEM Flip seat	2501500251010	1
	2CS461-HK	BLACK Backrest Cushion - pod, battery seat & OEM Flip seat *HK ONLY* IMPROVED	3407012426	1
	2CS811	TAN & BLACK Backrest Cushion - Front, Pod & OEM Flip Seat (WD)		1
	2CS821	GRAY & BLACK Backrest Cushion - Front, pod & OEM Flip seat (WD- Cushion)		1
	2CS836	BLACK Backrest Cushion - Front, Pod & OEM Flip Seat (WD)		1
	2CS891	BLACK/GREY/WHITE Backrest Cushion - Front, Pod & OEM Flip Seat (WD)		1
	2CS931	BLACK/GREY/RED Backrest Cushion - Front, Pod & OEM Flip Seat (WD)		1
	2CS941	BLACK / GREY / COASTAL BLUE Backrest Cushion - Front, Pod & OEM Flip Seat (WD)		1
5-1-4-2	2CS080	Plastic backrest cover- Black	2501506024A00	1
5-1-4-3	3HD075	M6 x 65 Hex Bolt A2-70 SS for 2, 2+2 and 4+2	2200100023000	4
5-1-4-4	3HD629	M6 A200 SS Flat Washer for 2, 2+2 and 4+2	2200700015000	4
5-1-4-5	3HD847	M6 Spring Washer GB/T93,6 for 2, 2+2 and 4+2	2200701010000	4
5-1-5		Back Support Brackets	2905471004000	1
5-1-5-1	2CS951	Bracket - Seat back support weldment (Driver Side) for CAPELLA 2P Only	2207202535000	1
	2CS953	Bracket - Seat back support weldment (Driver Side) for CAPELLA 4P or 6P Only	2207202563000	1
	2FP903	Backrest Support - Driver Side for 2+2, 4+2, 6+2 with FLIP SEATS	2207202024010	1

5-1-5-2	2CS952	Bracket - Seat back support weldment (Passenger Side) for CAPELLA Only 2P Only	2207202536000	1
	2CS954	Bracket - Seat back support weldment (Passenger Side) for CAPELLA 4P or 6P Only	2207202565000	1
	2FP904	Backrest Support - Passenger Side for 2+2, 4+2, 6+2 with FLIP SEATS	2207202023010	1
5-1-5-3	3HD806	M8 x 70 Hex Bolt	2200100091000	4
5-1-5-4	3HD805	M8 x 55 A2-70 SS Hex Bolt	2200100013000	4
5-1-5-5	3HD814	M8 A200 SS Flat Washer	2200700021000	8
5-1-5-6	3HD818	M8 Spring Washer	2200701012000	8
5-1-6		Back Support Brackets	2905471005000	1
5-1-6-1	2CS955	Seat support frame for	2207201983B10	1
5-1-6-3	3HD849	M8 x 20 Hex Head Bolt GB/T5783	2200100039000	4
5-1-6-4	3HD848	M8 Flat Washers GB/T97.2 ' 8	2200700023000	8
5-1-6-5	3HD816	M8 A2-70 SS Lock Nut	2200401003000	4

# 13 POD and Cushions



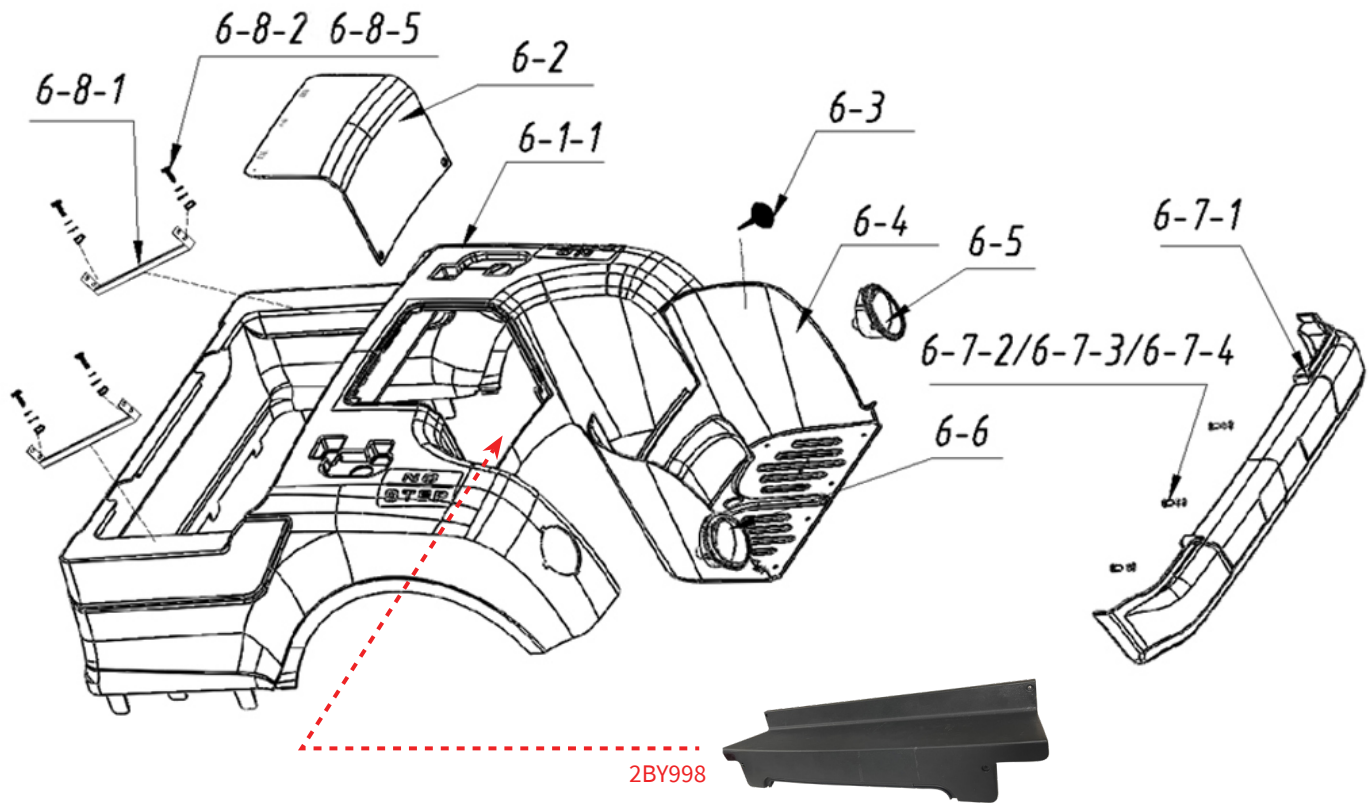
Item No.	STAR EV Part No.	Description	MPN	Qty
1		Four seat cushion Assembly	2902701461000	1
1-1	2CS450	POD Bottom BEIGE Cushion (105 x 44x 11cm)	2501500254010	1
	2CS450-HK	*HK ONLY*IMPROVED Capella-POD Bottom BEIGE Cushion	3108024549	1
	2CS460	Capella-POD Bottom BLACK Cushion	2501500255010	1
	2CS460-HK	*HK ONLY*IMPROVED Capella-POD Bottom BLACK Cushion	3108024441	1
	2CS533	Cushion-Capella POD Cushion-2 Tone BLACK & Carbon Fiber		1
	2CS810	Capella TAN & BLACK POD Bottom Cushion (WD)	3108024626	1
	2CS835	Capella BLACK POD Bottom Cushion (WD)		1
	2CS893	Capella BLACK/GREY/WHITE POD Bottom Cushion (WD)		1
	2CS933	Capella BLACK/GREY/RED POD Bottom Cushion (WD)		1
	2CS943	Capella BLACK/GREY/COASTAL BLUE POD Bottom Cushion (WD)		1
1-2	2CS036	Armrest - Front Passenger & POD Passenger Side	2202600149A00	1
1-3	2CS037	Armrest (lowered) for Capella - POD Driver Side	2202600161A00	1
1-4	3HD800	M8 x 30 A2-70 SS Hex Bolt	2200100010000	8
1-5	3HD814	M8 A200 SS Flat Washer	2200700021000	8

1-6	3HD818	M8 Spring Washer	2200701012000	8
1-7	2PS145	Plastic Base (Female) for the ball on POD	2200001301000	4
1-8	3HD892	M8 x 25 Cross recessed pan head tapping screw GB/T845 ST4.8*25 F-H A2-70 for 2+2 and 4+2	2200500005000	8
1-9	2PS140	Plastic ball (Male) for POD seats	2301700017000	4
1-10	3HD816	M8 A2-70 SS Lock Nut	2200401003000	4
2		Four seat backrest components and installation accessories	2902701450000	1
2-1	2CS451	Beige Backrest Cushion - Front, pod & OEM Flip seat	2501500250010	1
	2CS451-HK	BEIGE Backrest Cushion - Front, pod & OEM Flip seat *HK ONLY*IMPROVED	3407012635	1
	2CS461	BLACK Backrest Cushion - pod, battery seat & OEM Flip seat	2501500251010	1
	2CS461-HK	BLACK Backrest Cushion - pod, battery seat & OEM Flip seat *HK ONLY*IMPROVED	3407012426	1
	2CS531	Cushion-Capella Back Cushion Front & Flip -2 Tone BLACK & Carbon Fiber		1
	2CS811	TAN & BLACK Backrest Cushion - Front, Pod & OEM Flip Seat (WD)		1
	2CS821	GRAY & BLACK Backrest Cushion - Front, pod & OEM Flip seat (WD- Cushion)		1
	2CS836	BLACK Backrest Cushion - Front, Pod & OEM Flip Seat (WD)		1
	2CS841	Capella PRO-BEIGE Backrest Cushion -Front, pod, OEM Flip seat (WD- Cushion)		1
	2CS862	Capella OEM (2022) Flip seat Backrest Cushion Assembly -Beige for 2FS800		1
	2CS891	BLACK/GREY/WHITE Backrest Cushion - Front, Pod & OEM Flip Seat (WD)		1
	2CS931	BLACK/GREY/RED Backrest Cushion - Front, Pod & OEM Flip Seat (WD)		1
2CS941	BLACK / GREY / COASTAL BLUE Backrest Cushion - Front, Pod & OEM Flip Seat (WD)		1	
2-2	2CS080	Plastic backrest cover- Black	2501506024A00	1
2-3	3HD075	M6 x 65 Hex Bolt A2-70 SS	2200100023000	4
2-4	3HD629	M6 A200 SS Flat Washer	2200700015000	4
2-5	3HD847	M6 Spring Washer GB/T93,6	2200701010000	4
2-6	2PS080	POD Bracket - Backrest Support Bracket 4P & 6P POD cushions	2207202567000	1
2-7	2PS081	Rubber Sleeve for Backrest Support for 4P & 6P Pod	2301900182A00	2
2-8	3HD885	M8 x 65 Hexagon socket flat round head screw; GB/T 70.2 ' M8*65 ' A2-70 for 2+2 and 4+2	2200301014000	4

2-9	2HD802	M8x 45 Outer hexagon bolt GB/T5783 ' M8*45' A2-70 for 4+2	2200301021000	4
2-10	3HD814	M8 A200 SS Flat Washer	2200700021000	4
2-11	3HD818	M8 Spring Washer	2200701012000	4
3		Pod Base and Hardware	2903200613000	1
3-1		Pod Seat - Color Specific		1
	2PS650R	Pod Seat - Arctic White		1
	2PS651R	Pod Seat - Coastal Blue		1
	2PS652R	Pod Seat - Candy Apple Red		1
	2PS653R	Pod Seat - Royal Blue		1
	2PS654R	Pod Seat - Lime Green		1
	2PS655R	Pod Seat - Jet Black		1
	2PS656R	Pod Seat - Forest Blue Mist		1
	2PS657R	Pod Seat - Sunburst Orange		1
	2PS658R	Pod Seat - Beige		1
	2PS659R	Pod Seat - Yellow		1
	2PS660R	Upainted Pod Seat		1
2PS661R	Pod Seat -Metallic Silver		1	
3-2	3HD884	M8 x 40 Hexagon socket flat round head screw: GB/T 70.2 ' M8*40 ' A2-70	2200100022000	2
3-3	3HD814	M8 A200 SS Flat Washer	2200700021000	2
3-4	3HD818	M8 Spring Washer	2200701012000	2
3-5	3HD850	M8 Hexagon Nut GB/T6170 M8	2200400010000	2



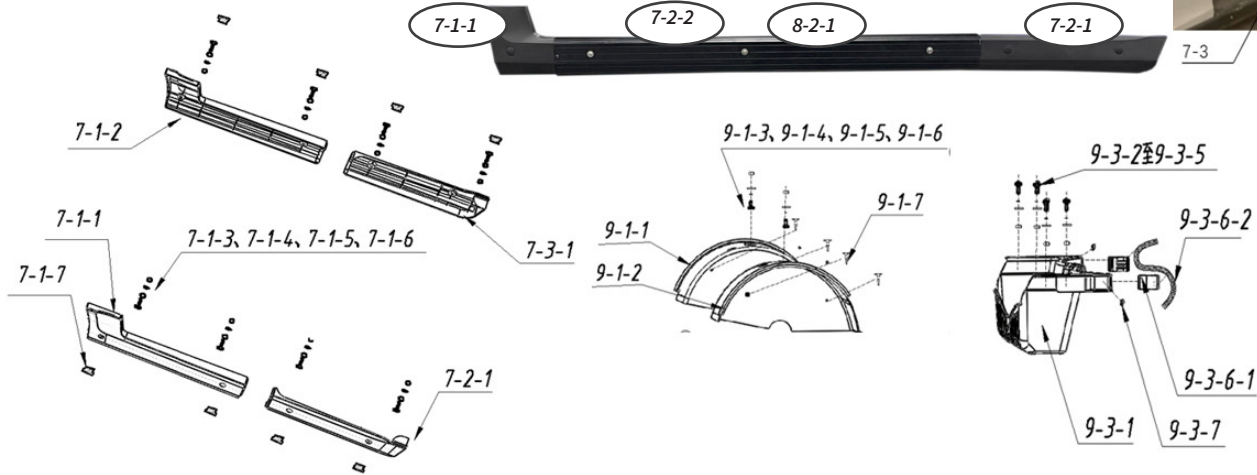
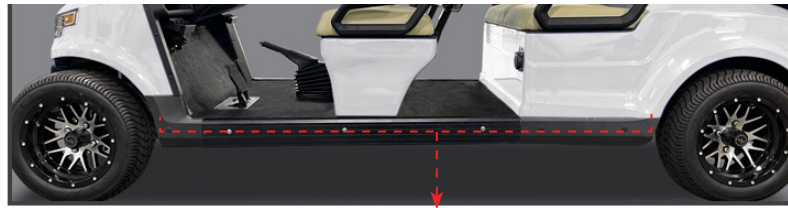
# 14 Rear Body Components



Item No.	STAR EV Part No.	Description	MPN	Qty
6-1		Rear Body	2400200701010	Qty
6-1-1	2BY650R	Rear Body - ARTIC WHITE	2302200109A20	1
	2BY651R	Rear Body - Coastal Blue		1
	2BY652R	Rear Body - Candy Apple Red		
	2BY653R	Rear Body - Royal Blue		
	2BY654R	Rear Body - Lime Green		
	2BY655R	Rear Body - Jet Black		
	2BY656R	Rear Body - Forest Blue Mist		
	2BY657R	Rear Body - Sunburst Orange		
	2BY658R	Rear Body - Beige		
	2BY659R	Rear Body - Yellow		
	2BY662R	Rear Body - METALLIC SILVER		
	2BY998	Access Panel for Rear Body	2300400325000	
6-2	2MO091	Motor Cover (Maintenance cover)	2207301149A10	1
6-3	2GB181	Plastic nail $\phi$ 17.5*23mm	2301700001000	1
6-4	2GB180	Bagwell Liner	2303400081A00	8
6-5	2LT762	Rear taillight shell (Passenger)	2100700271000	1

6-6	2LT761	Rear taillight shell (Driver)	2100700252000	1
6-7		Rear bumper and installation accessories	2905454007000	1
6-7-1	2BR850	Bumper- Rear	2301800040A10	1
6-7-2	3HD846	M8 x 12 Hex Bolt GB/T5783 zinc plated	2200100177000	1
6-7-3	3HD841	M8, Flat Washer, M8 Zinc plated	2200700081000	3
6-7-4	3HD819	M8 Spring Washer GB/T93,8	2200701011000	3
6-8		Rear cover support rod installation and accessories	2905445003000	3
6-8-1	2BY999	Support bracket / rod for Rear body	2204900170020	1
6-8-2	3HD855	M6 x 12 Hexagon headed bolt: GB/T5783 M6*12 A2-70	2200100009000	2
6-8-3	3HD629	M6 A200 SS Flat Washer	2200700015000	2
6-8-4	3HD847	M6 Spring Washer GB/T93,6	2200701010000	2
6-8-5	2WS476	M6, A2-70 Lock Nut stainless steel: GB/T889.1 M6 A2-70	2200401001000	2

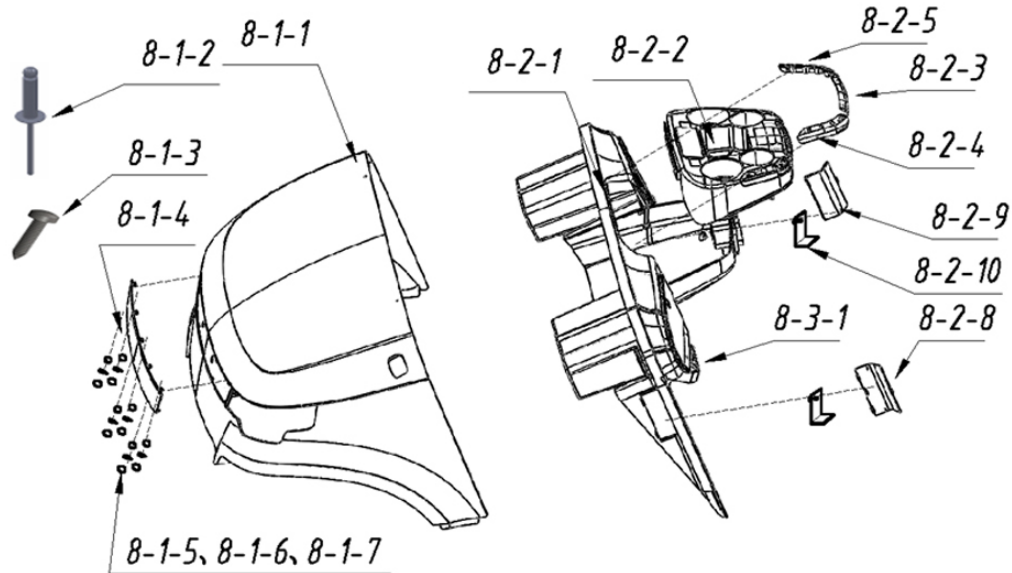
# 15 Rocker Panel / Mud



Item No.	STAR EV Part No.	Description	MPN	Qty
7		FRONT ROCKER PANELS		
7-1		Front Rocker Panels for 4 and 4+2	2905458066000	1
7-1-1	2RP781	Driver Side Front Rocker Panel REV 1 for 2P and 2+2	2208200189A00	1
	2RP791	Driver Side Front Rocker Panel REV 2 *Rounded Corners* for 2P and 2+2	2208200189A20	1
	2RP785	Driver Side Front Rocker Panel REV 1 for 4 and 4+2	2208200305000	1
	2RP795	Driver Side Front Rocker Panel REV 2 *Rounded corners* for 4P, 4+2, 6P & 6+2	2208200305A20	1
7-1-2	2RP783	Passenger Side Front Rocker Panel REV 1 for 2P and 2+2	2208200190A00	1
	2RP793	Passenge Side Front Rocker Panel REV 2 *Rounded Corners* for 2P and 2+2	2208200190A20	1
	2RP786	Passenger Side Front Rocker Panel REV 1 for 4P & 4+2	2208200306000	1
	2RP796	Passenger Side Front Rocker Panel REV 2 *Rounded corners* for 4P, 4+2, 6P & 6+2	2208200306000	1
7-1-3	3HD801	M8 x 35 A2-70 SS Hex Bolt	2200301020000	4
7-1-4	3HD814	M8 A200 SS Flat Washer	2200700021000	4
7-1-5	3HD818	M8 Spring Washer	2200701012000	4
7-1-6	3HD850	M8 Hexagon Nut GB/T6170 M8	2200400010000	4
7-1-7	2RP780	Rubber Plug for Rocker panel	2301906067000	4
7-2		Rear Rocker Panels	2905458015000	1
7-2-1	2RP782	Rocker Panel - Driver Side Rear for 2P, 4P, 4+2, 6P, 6+2	2208200191A00	1

7-2-2	2RP784	Rocker Panel Passenger Side Rear for 2P, 4P, 4+2, 6P, 6+2	2208200192A00	1
7-2-3	3HD801	M8 x 35 A2-70 SS Hex Bolt for 2, 2+2, 4 and 4+2	2200301020000	4
7-2-4	3HD814	M8 A200 SS Flat Washer	2200700021000	4
7-2-5	3HD818	M8 Spring Washer	2200701012000	4
7-2-6	3HD850	M8 Hexagon Nut GB/T6170 M8	2200400010000	4
7-2-7	2RP780	Rubber Plug for Rocker panel for 2, 2+2, 4 and 4+2	2301906067000	4
7-3-1	2RP797	Rocker Panel MIDDLE Aluminum for 6P or 6+2	3302019272	2
7-3-2	3HD887	M6 x 20 Cross recessed pan head screw GB/T973' M6*20, A2-70	2200305003000	4
7-4	2BC213	Passenger side MIDDLE roof support for 6P or 6+2	2207201622020	1
7-4	2BC212	Driver side MIDDLE roof support for 6P or 6+2	2207201621210	1
7-5		M8*45 Hex bolt GB/T5783	2200102199000	8
7-6	3HD869	M8 Flat washer:GB/T97.1,M8(16*8.4*1.6) Dacromet plated	2500600012000	16
7-7	3HD870	M8 Spring Washer : GB/T93, 8.1	2200701086000	8
7-8	3HD868	M8 Hexagon nut: GB/T6170,M8, Dacromet plated	2200400145000	8
8-2-1	2RP787	Aluminum side guardrail for CAPELLA 4P/ 4+2	2208200308000	2
8-2-2	3HD887	M6 x 20 Cross recessed pan head screw GB/T973' M6*20, A2-70	2200305003000	4
9-1		Mudguard and installation accessories	2905462004000	1
9-1-1	2FN811	Rear Mudguard Passenger Side	3401009735	1
9-1-2	2FN810	Rear Mudguard Driver Side	3401009734	1
9-1-3	3HD855	M6 x 12 Hexagon headed bolt : GB/T5783 M6*12 A2-70	2200100009000	2
9-1-4	3HD629	M6 A200 SS Flat Washer	2200700015000	2
9-1-5	3HD847	M6 Spring Washer GB/T93,6	2200701010000	2
9-1-6	2WS476	M6, A2-70 Lock Nut stainless steel: GB/T889.1 M6 A2-70	2200401001000	2
9-1-7	3HD605	M2 x 25 Hexagon flange self tapping screw ST4.2*25 GB/T15856.4	2200500137000	4
9-3	2GB035	Golf Bag Holder for CAPELLA with bracket (Assembly for Raw Car) for 2P, 4P & 6P	2902701428000	1
9-3-1	2GB038	Rear basket forfor 2P, 4P & 6P	2208001038000	1
9-3-2	3HD856	M6 x 45 hexagon socket cap screws: GB/T70.1 M6*45 A2-70	2200300048000	4
9-3-3	3HD629	M6 A200 SS Flat Washer	2200700015000	4
9-3-4	3HD847	M6 Spring Washer GB/T93,6	2200701010000	4
9-3-5	2WS476	M6, A2-70 Lock Nut stainless steel: GB/T889.1 M6 A2-70	2200401001000	4
9-3-6		Ball strap installation Assembly for 2P, 4P & 6P	2902701429000	1
9-3-6-1	2GB039	Ball bag holder buckle for 2P, 4P & 6P	2303100051000	2
9-3-6-2	2GB037	Golf bag straps 2300 x 45mm for 2P, 4P & 6P	2501300009000	1
9-3-7		Mushroom head buckle GOGO3-050051, B9983-048 Ø 20mm	2202001014A00	2

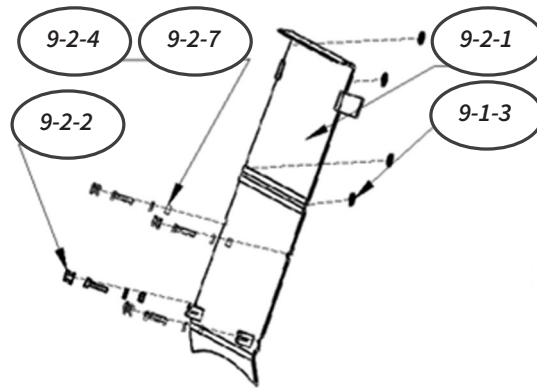
# 16 Front Body Components



Item No.	STAR EV Part No.	Description	MPN	Qty
8-1		Front Body And its installation accessories	2905484002000	Qty
8-1-1		Front body - Color Specific	2400200702000	1
8-1-1-1	2BO660R	Unpainted Front Body Unpainted Front Body	2302100109000	1
	2BO650R	Front Body - ARCTIC WHITE		1
	2BO651R	Front Body - Coastal Blue		1
	2BO652R	Front Body - CANDY APPLE RED		
	2BO653R	Front Body - Royal Blue		
	2BO654R	Front Body - Lime Green		
	2BO655R	Front Body - Jet Black		
	2BO656R	Front Body - Forest Blue Mist		
	2BO657R	Front Body - Sunburst Orange		
	2BO658R	Front Body - Beige		
	2BO659R	Front Body - Yellow		
	2BO661R	Front Body - Metallic Silver		
8-1-2	2HD117	Rivet 5 x 15 FOR Dashboard	2201000011000	
8-1-3	3HD603	GB/T845, ST2.9*14mm Cross recessed pan head tapping screw	2200500093000	10
8-1-4	2BO699	Front grill	2305201001000	10
8-1-5	3HD851	M5 Hexagon nut - GB/T6170 M5	2200400015000	1
8-1-6	3HD852	M5 Flat Washer GB/T97.1 5	2200700010000	6
8-1-7	3HD853	M5 Spring Washer GB/T93 5	1205002006000	6
8-2			2905442005000	6
8-2-1	2DB041	Dashboard	2301600024A10	

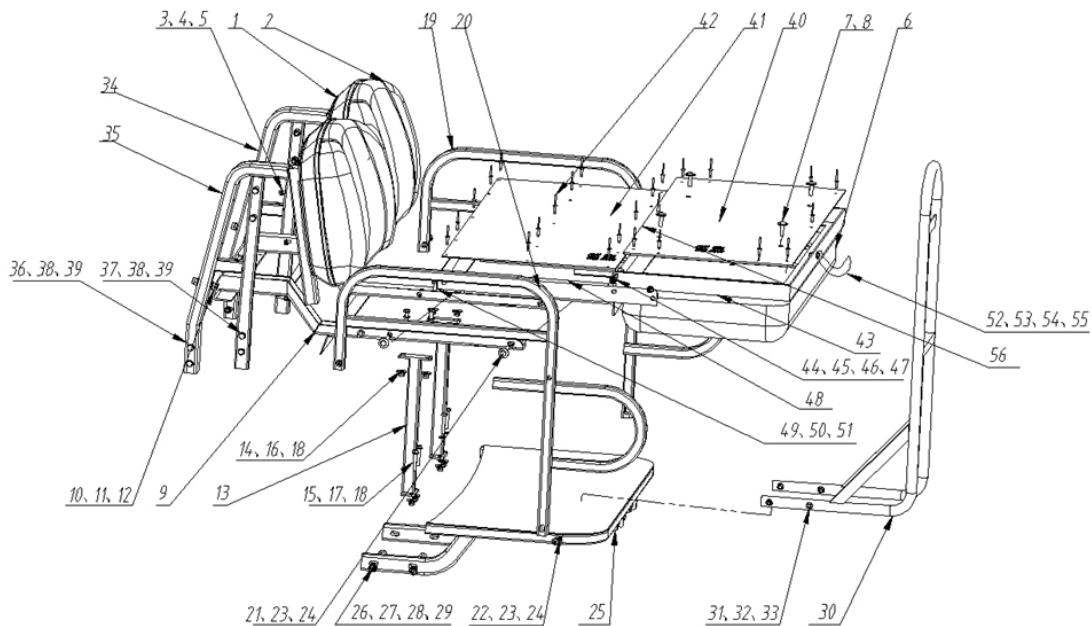
8-2-2	2CP800	Cup holder	2305101001000	1
8-2-3	2CP801	Middle - Decorative trim for Cupholder on dashboard for Capella	2300400462A00	1
8-2-4	2CP802	Driver Side - Decorative trim for Cupholder on dashboard for Capella	2300400463A00	1
8-2-5	2CP803	Passenger Decorative board	2300400464A00	1
8-2-6	3HD604	2 x 14mm Cross recessed pan head tapping screw: GB/T845,ST2.2*8mm	2200500078000	1
8-2-7	3HD603	GB/T845,ST2.9*14mm Cross recessed pan head tapping screw	2200500093000	6
8-2-8	2DB718	Access panel for Driver side roof support bracket	2207301155A00	2
8-2-9	2DB719	Access panel for Passenger side roof support bracket	2207301156A00	1
8-2-10	2DB721	Mounting plate for roof support bracket	2207300249A00	1
8-2-12	3HD854	M4 x 18mm Round head cross screw: PWM M4*18mm	1205209095A00	
8-2-13	3HD117	Rivet 5*15	2201000011000	
8-3		Golf cart ball grid installation accessories	2903200577000	
8-3-1	2DB717	Ball holder	2300400219000	
8-3-2	3HD603	GB/T845,ST2.9*14mm Cross recessed pan head tapping screw	2200500093000	

# 17 Windshields



Item No.	STAR EV Part No.	Description	MPN	Qty
5-1	2WS091	Windshield - Flip Tinted 2P, 2+2, 6P,6+2	2400700451000	1
	2WS093	Windshield - Flip TINTED for 4p / 4+2	2400700452000	1
	2WS493	Windshield - NEV 1pc GLASS with Frame with DOT AS1 Stamp	2301903003000	1
	2WS495	Windshield NEV - FLIP CLEAR for CAPELLA NEV (D.O.T.) with AS5 DOT STAMP	2200700017000	1
	2WS027	Windshield - NEV 1pc GLASS with Frame with DOT AS1 Stamp	2400700441000	1
9-2-1	2WS091	Windshield - Flip TINTED for CAPELLA 2P/ 2+2 /2H / 4H / HCX CAPELLA Lifted 2+2, 4+2	2400700451000	1
9-2-2	2WS472	Black Rubber mount $\phi 20 \times \phi 14 \times 16$ , 7mm opening, includes $\phi 10 \times \phi 7 \times 14$ Bushing for windshield for 2, 2+2, 4 and 4+2	2303900005C00	4
9-2-3	2WS473	Rubber cushions / bumpers for windshield for 2, 2+2, 4 and 4+2	2301903003000	4
9-2-4	2WS474	M6*50 A2-70 Cross head SCREW stainless steel / Windshield for 2, 2+2, 4 and 4+2	2200304045000	4
9-2-5	2WS475	M6 A200 stainless steel FLAT Washer / Windshield for 2, 2+2, 4 and 4+2	2200700017000	4
9-2-6	2WS476	M6, A2-70 Lock Nut stainless steel: GB/T889.1 M6 A2-70 for 2, 2+2, 4 and 4+2	2200401001000	4

# 18 OEM Flip Seat



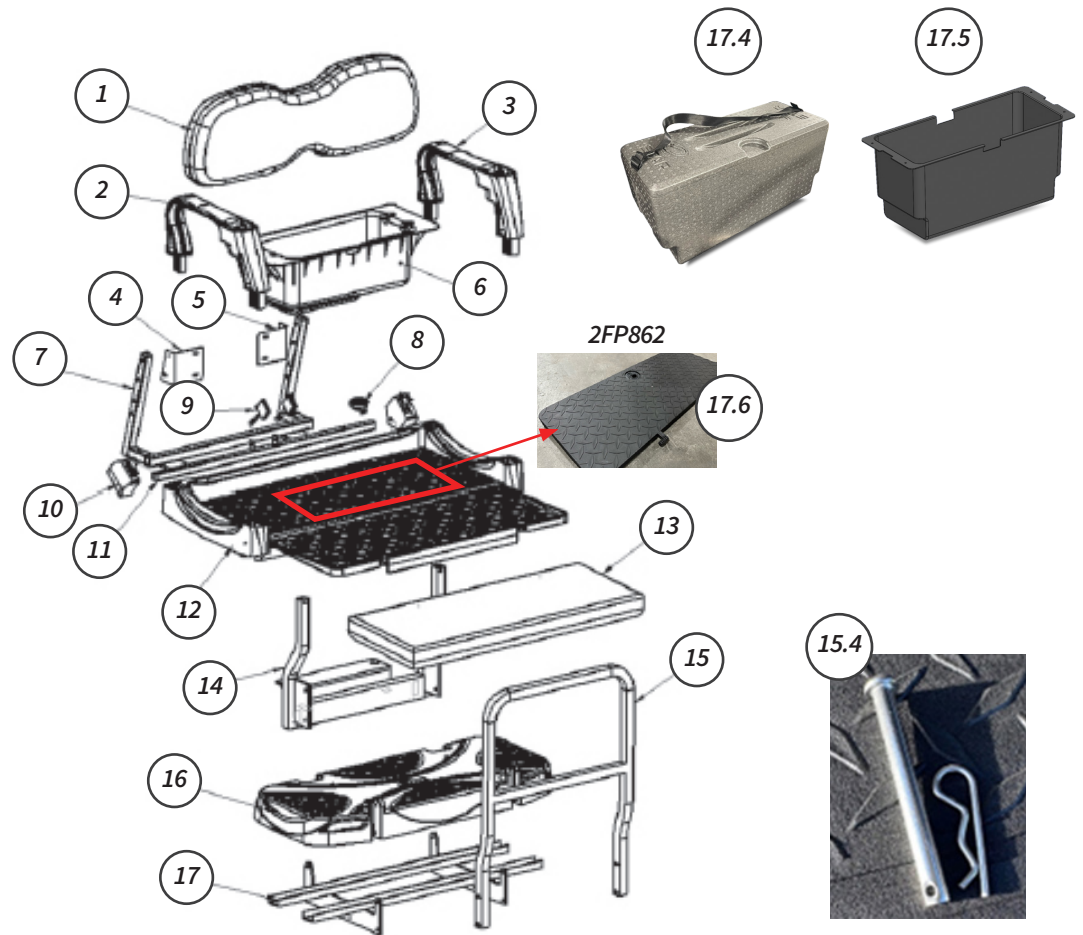
Item No.	STAR EV Part No.	Description	MPN	Qty
1	2CS451	Beige Backrest Cushion - Front, pod & OEM Flip seat	2501500250010	1
	2CS451-HK	BEIGE Backrest Cushion - Front, pod & OEM Flip seat *HK ONLY*IMPROVED	3407012635	1
	2CS461	BLACK Backrest Cushion - pod, battery seat & OEM Flip seat	2501500251010	1
	2CS461-HK	BLACK Backrest Cushion - pod, battery seat & OEM Flip seat *HK ONLY*IMPROVED	3407012426	1
	2CS531	Cushion-Capella Back Cushion Front & Flip -2 Tone BLACK & Carbon Fiber		1
	2CS811	TAN & BLACK Backrest Cushion - Front, Pod & OEM Flip Seat (WD)		1
	2CS821	GRAY & BLACK Backrest Cushion - Front, pod & OEM Flip seat (WD- Cushion)		1
	2CS836	BLACK Backrest Cushion - Front, Pod & OEM Flip Seat (WD)		1
	2CS841	Capella PRO-BEIGE Backrest Cushion -Front, pod, OEM Flip seat (WD- Cushion)		1
	2CS862	Capella OEM (2022) Flip seat Backrest Cushion Assembly - Beige for 2FS800		1
	2CS891	BLACK / GREY / WHITE Backrest Cushion - Front, Pod & OEM Flip Seat (WD)		1
	2CS931	BLACK/GREY/RED Backrest Cushion - Front, Pod & OEM Flip Seat (WD)		1
	2CS941	BLACK/GREY/COASTAL BLUE Backrest Cushion - Front, Pod & OEM Flip Seat (WD)		1



2	2CS080	Plastic backrest cover Black	2501506024A00	1
3	3HD075	M6 x 65 Hex Bolt A2-70 SS	2200102170000	4
4	3HD861	Washer GB/T97.1 ' M6 (12*6.4*1.6)' A200	2500600017000	4
5	3HD861	M6 Spring Washer GB/T93,6.1	2200701091000	4
6	2CS454	Flip Bottom BEIGE Cushion	2501500258010	1
	2CS454-HK	*HK ONLY* Capella-Flip Bottom BEIGE Cushion (OEM) (2023 & LATER)	3108024607	1
	2CS464	Black Bottom Cushion - Front, pod & OEM Flip seat	2501500259010	1
	2CS464-HK	*HK ONLY* Capella - Flip Bottom BLACK Cushion (OEM) (2023 & LATER)	3108024626	1
	2CS474	Brown Bottom Cushion - Front, POD & OEM Flip seat	2501500258010	1
	2CS494	Cushion-Flip Bottom BLACK / WHITE for CAPELLA		1
	2CS732	Cushion-Capella OEM Flip Bottom Cushion-2 Tone BLACK & Carbon Fiber		1
	2CS813	Capella TAN & BLACK Flip Bottom Cushion (OEM) (WD)		1
	2CS823	Capella GRAY & BLACK Flip Bottom Cushion (OEM) (WD)		1
	2CS861	Capella OEM (2022) Flip seat Bottom Cushion - Beige for 2FS800		1
7	3HD800	M8 x 30 Hexagon socket flat round head screw GB/T 70.2 'M8*30 ' A2-70	2200301234000	
8	3HD863	M8 Large Washer GB/T96 ' M8(24*8.4*2)' A200	2200704006000	
9	2FP910	Support frame OEM Flip Seat	2207201876A20	
10	3HD871	M10 x 50 Outer hexagon bolt GB/T5783 ' M10* 50' A2-70	2200102107000	
11	3HD864	"M10 Washer GB/T97.1 ' M10 (20*10.5*2)' A200 & 4+2"	2500600019000	
12	3HD874	M10 Hexagon Lock Nut with non-metallic insert GB/T889.1 ' M10,A2-70	2200401053000	
13	2FP909	Seat Bottom Support frame OEM Flip Seat	2208300192A00	
14	3HD883	M8 x 25 Outer hexagon bolt GB/T5783, M8*25, A2-70	2200102184000	
15	3HD802	M8 x 45 Outer hexagon bolt SS GB/T5783, M8*45 A2-70	2200102168000	4
16	3HD878	"M8 Flat Washer GB/T97.1 ' M8(16*8.4*1.6) A200"	2500600018000	8
17	3HD863	M8 Large Washer GB/T96 ' M8 (24*8.4*2)' A200	2200704006000	8
18	3HD879	M8 Hexagon Lock Nut with non-metallic insert GB/T889.1 ' M8,A2-70	2200401052000	8
19	2FP916	Armrest Passenger Side OEM Flip Seat	2202600312000	1
20	2FP915	Armrest Driver Side OEM Flip Seat	2202600310000	1
21	3HD884	M8 x 40 Hexagon socket flat round head screw: GB/T 70.2 'M8*40 ' A2-70	2200301235000	4
22	3HD885	M8 x 65 Hexagon socket flat round head screw; GB/T 70.2 'M8*65 ' A2-70	2200413039000	2
23	3HD878	"M8 Flat Washer GB/T97.1 ' M8(16*8.4*1.6) ' A200"	2500600018000	12
24	3HD879	M8 Hexagon Lock Nut with non-metallic insert GB/T889.1 ' M8,A2-70	2200401052000	6

25	2FP907	Foot board OEM FLIP SEAT	2206200254A20	1
26	3HD872	M10 x 70 Outer hexagon bolt **Roof Hardware* GB/T5782 ' M10*70 ' A2-70	2200102101000	4
27	3HD120	M10 Hexagon nut: GB/T6170,M10	2200400146000	4
28	3HD153	M10, Flat washer, GB/T97.1 ,M10(20*10.5*2) Dacromet	2500600013000	8
29	3HD161	M10, Spring Washer GB/T93,10.2 Dacromet	2200701087000	4
30	2FP908	Grab Handle OEM FLIP SEAT for 2+2 and 4+2	2206200299000	1
31	3HD802	M8 x 45 Outer hexagon bolt SS GB/T5783, M8*45 A2-70	2200102168000	4
32	3HD878	"M8 Flat Washer GB/T97.1 ' M8 (16*8.4*1.6) 'A200"	2500600018000	8
33	3HD879	M8 Hexagon Lock Nut with non-metallic insert GB/ T889.1 M8,A2-70	2200401052000	4
34	2FP904	Backrest support-Passenger Side for 2+2 & 4+2 Capella OEM Flip Seat	2207202023010	1
35	2FP903	Backrest Support-Driver Side for 2+2 & 4+2 Capella OEM Flip Seat	2207202024010	1
36	3HD886	M8 x 70 Outer hexagon bolt GB/T5783' M8*70' A2-70	2200102206000	4
37	3HD805	M8 x 55 Outer hexagon bolt GB/T5783' M8*55' A2-70	2200102169000	4
38	3HD878	"M8 Flat Washer GB/T97.1 ' M8(16*8.4*1.6) ' A200"	2500600018000	16
39	3HD879	M8 Hexagon Lock Nut with non-metallic insert GB/T889.1 M8,A2-70	2200401052000	8
40	2FP911	Flip board - PLATE OEM Flip Seat	2200016091010	1
41	2FP912	Bottom board OEM FLIP SEAT	2200016092A10	1
42	3HD117	Rivet 5*15 GB/T12618 5*15 A2-70	2201000010000	30
43	2FP900	Flip Frame Only OEM Flip Seat	2200016089010	1
44	2FP914	Rotating shaft sleeve OEM Flip Seat	2200016490A00	2
45	3HD800	M8 x 30 Hexagon socket flat round head screw GB/T 70.2 'M8*30 ' A2-70	2200301234000	2
46	3HD878	"M8 Flat Washer GB/T97.1' M8(16*8.4*1.6)' A200"	2500600018000	4
47	3HD879	M8 Hexagon Lock Nut with non-metallic insert GB/T889.1 ' M8,A2-70	2200401052000	2
48	2FP913	Flip Mounting Frame OEM Flip Seat	2200016090A10	1
49	3HD886	M8 x 70 Outer hexagon bolt GB/T5783 ' M8*70 ' A2-70	2200102206000	4
50	3HD878	"M8 Flat Washer GB/T97.1 ' M8(16*8.4*1.6) 'A200"	2500600018000	8
51	3HD879	M8 Hexagon Lock Nut with non-metallic insert GB/T889.1 M8,A2-70	2200401052000	4
52	2FP917	Woven belt L*W (400*40mm for 2+2 and 4+2	2501306018000	1
53	3HD887	M6x 20 Cross recessed pan head screw GB/T973' M6* 20, A2-70	2200305003000	1
54	3HD882	M6 Large Washer GB/T96' M6 (18*6.4*1.6)	2200704005000	1
55	2WS476	M6, A2-70 Lock Nut stainless steel: GB/T889.1 M6 A2-70 GB/T889.1 M6 A2-7	2200401054000	1
56	2DC900	Decorative strips OEM Flip Seat	2302605033000	2

# 18 Ultimate Flip Seat



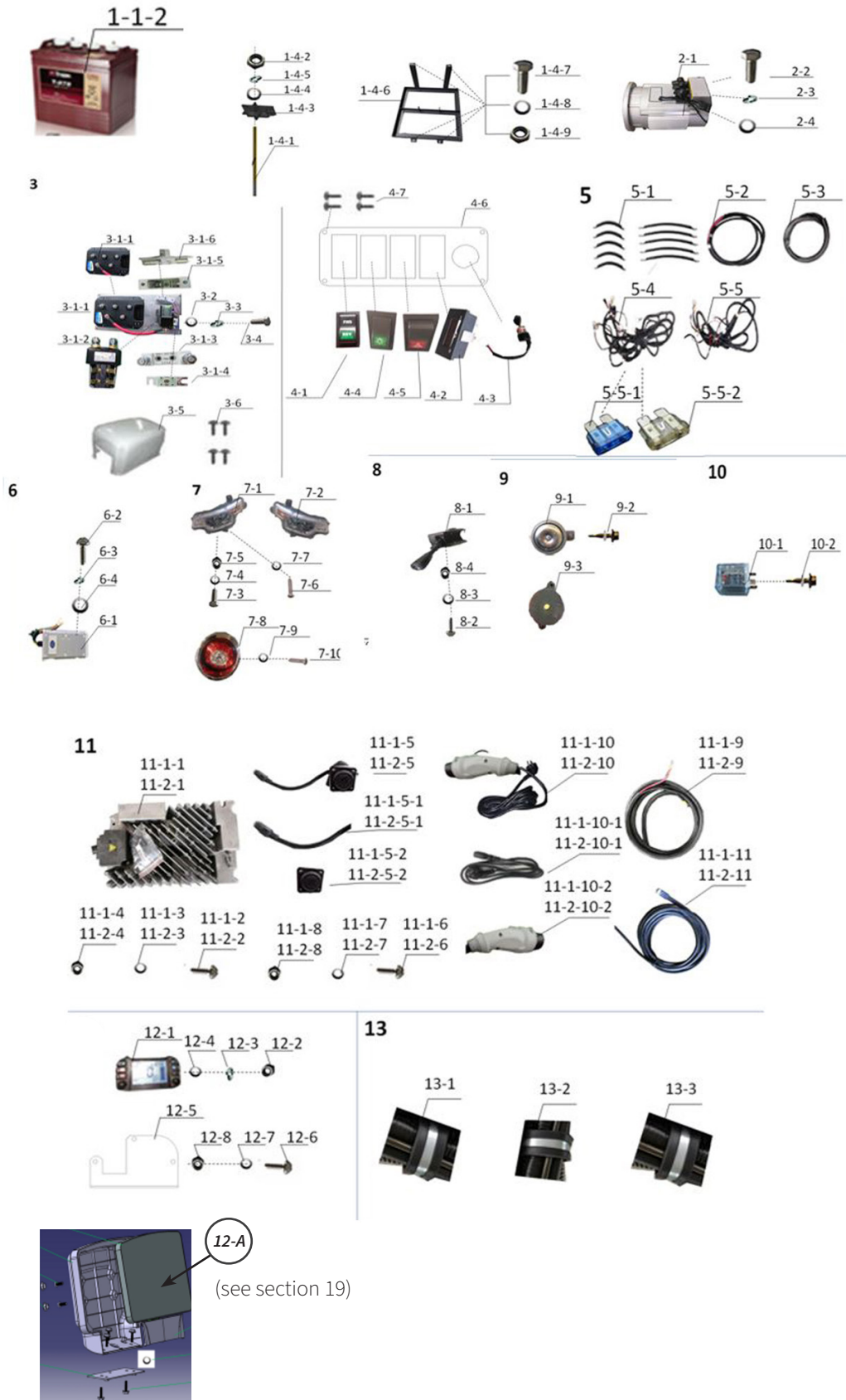
Item No.	STAR EV Part No.	Description	MPN	Qty
	7FS950	Ultimate Flip Seat Set for CAPELLA 2P or 4P (BEIGE CUSHIONS)		1
	7FS952	Ultimate Flip Seat Set for CAPELLA 2+2 or 4+2 (BEIGE CUSHIONS)		1
	7FS970	Ultimate Flip Seat Set for CAPELLA 2P or 4P (TAN & BLACK CUSHIONS)		1
	7FS972	Ultimate Flip Seat Set for CAPELLA 2+2 or 4+2 (TAN & BLACK CUSHIONS)		1
	7FS894	Ultimate Flip Seat Set for CAPELLA 2P or 4P (Black / Grey / White)		1
	2FS895	Ultimate Flip Seat Set for CAPELLA 2+2 or 4+2 (Black / Grey / White) CUSHIONS)		1
	7FS934	Ultimate Flip Seat Set for CAPELLA 2P or 4P (Black / Grey / RED)		1
	7FS935	Ultimate Flip Seat Set for CAPELLA 2+2 or 4+2 (Black / Grey / RED)		1
	7FS944	Ultimate Flip Seat Set for CAPELLA 2P or 4P (Black / Grey / COASTAL BLUE)		1

	7FS945	Ultimate Flip Seat Set for CAPELLA 2+2 or 4+2 (Black / Grey/ COASTAL BLUE)		1
"1-17 (no cushions)"	2FS223	Capella FRAME ONLY for Ultimate Flip Seat with Backrest Cover		1
1.0	2CS551	Capella-BEIGE Backrest Cushion for Ultimate Flip seat		1
	2CS733	Cushion-Capella ULTIMATE Flip Back Cushion-2 Tone BLACK & Carbon Fiber		1
	2CS814	Capella TAN & BLACK Ultimate Flip Backrest Cushion (WD)		1
	2CS824	Capella GRAY & BLACK Ultimate Flip Backrest (WD-Cushion)		1
	2CS894	Capella BLACK/GREY/WHITE Ultimate Flip Backrest Cushion (WD)		1
	2CS934	Capella BLACK/GREY/RED Ultimate Flip Backrest Cushion (WD)		1
	2CS944	Capella BLACK/GREY/COASTAL BLUE Ultimate Flip Backrest Cushion (WD)		1
13.0	2CS554	Capella- BEIGE- Bottom cushion for Ultimate Flip Seat		1
	2CS734	Cushion-Capella ULTIMATE Flip Bottom Cushion-2 Tone BLACK & Carbon Fiber		1
	2CS815	Capella TAN & BLACK Ultimate Flip Bottom Cushion (WD)		1
	2CS825	Capella GRAY & BLACK Ultimate Flip Bottom (WD-Cushion)		1
	2CS895	Capella BLACK/GREY/WHITE Ultimate Flip Bottom Cushion (WD)		1
	2CS935	Capella BLACK/GREY/RED Ultimate Flip Bottom Cushion (WD)		1
	2CS945	Capella BLACK/GREY/COASTAL BLUE Ultimate Flip Bottom Cushion (WD)		1
13.1		M6 x 30mm lg. Flat head screw		6
13.2		M6 flat washer		6
13.3		M6 lock washer		6
1.1		M6 x 30mm lg. Hex bolt		4
1.2		M6 flat washer		4
1.3		M6 lock washer		4
2.0	2FP852	Driver Side ARM REST for Capella Ultimate Flip Seat		1
2.1		M6 x 60mm lg. Hex bolt		2
2.2		M6 flat washer		2
2.3		M6 lock washer		2
3.0	2FP853	Passenger Side ARM REST for Capella Ultimate Flip Seat		1
3.1		M6 x 60mm lg. Hex bolt		2
3.2		M6 flat washer		2

3.3		M6 lock washer		2
4.0	2FP950	DRIVER Side Backrest Mounting Bracket for Capella 2+2, 4+2 Ultimate Flip Seat		1
	2FP952	DRIVER Side Backrest Mounting Bracket for Capella 2P, 4L Ultimate Flip Seat		1
4.1		M8 x 50mm lg. Hex bolt		2
4.2		M8 flat washer		2
4.3		M8 lock nut		2
5.0	2FP951	PASSENGER Side Backrest Mounting Bracket for Capella 2+2, 4+2 Ultimate Flip Seat		1
	2FP953	PASSENGER Side Backrest Mounting Bracket for Capella 2P, 4L Ultimate Flip Seat		
5.1		M8 x 50mm lg. Hex bolt		2
5.2		Seat back rest bracket rh		1
5.2		M8 flat washer		2
5.3		M8 lock nut		2
6.0	2FS184	STORAGE BIN for Ultimate Flip Seat Kit		1
6.1		M6 self drilling pan hd screw		4
	2FP185	SIRIUS/Classic/Capella BRACKET for Storage Bin Ultimate Flip Seat kit		1
Upgrade option	2AS030	Cooler - Portable Insert for Ultimate Flip Seat		1
	2AS031	STRAP & Plastic CLIPS for 2AS030 Cooler - Ultimate Flip Seat		1
	2AS032	*New Design* Mounting Bracket for Ultimate Flip Seat Cooler		1
	2FS185	Hinge Cap - SIRIUS, Classic, Capella for Ultimate Flip Seat Cooler Lid		
7.0	2FP959	Platform Support FRAME for Capella Ultimate Flip Seat		1
7.1		M8 x 50mm lg. Hex bolt		4
7.2		M8 flat washer		8
7.3		M8 lock nut		4
7.4		M8 x 50mm lg. Hex bolt		4
8.0	2TK073	LOCK - For Trunk on Ultimate Seat Storage		1
	2KY710	Set of 2 - Cut Keys for Ultimate Flip Seat Trunk Lock		1
9 & 10	2SB092	BAR - Seatbelt Bar for SIRIUS & Capella for Ultimate FLIP Seat ONLY		2
	2SB092A	ASSEMBLY - Seat Belt Bar 2SB092 with Seat Belts 2 X 2SB087 SIRIUS & Capella for Ultimate FLIP Seat ONLY		
	2SB110	BAR - Seatbelt Bar (Over Batteries) for CAPELLA 2+2 /4+2 When URGRADED with Ultimate Flip Seat		
12.0	2FP856	Plastic flip frame assembly		1

12.1		M6 x 40mm oval head screw		2
12.2		M6 flat washer		4
12.3		M6 locknut		2
14.0	2FP958	Footrest SUPPORT FRAME for Capella Ultimate Flip Seat		1
14.1		M10 x 55mm lg. Hex bolt		2
14.2		M10 flat washer		4
14.3		M10 lock nut		2
	2FP931	Footboard Mounting Bracket for Capella Ultimate Flip Seat 2+2		1
15.0	2FP961	Safety GRAB BAR for Capella Ultimate Flip Seat		1
	2FP933	Grab Bar Mounting Bracket for Capella Ultimate Flip Seat 2+2		1
15.1		M6 x 30mm lg. Hex bolt (lower)		2
15.2		M6 flat washer		2
15.3		M6 lock washer		2
15.4	2FP964	Snap Pin (upper) & Clevis Pin (lower) for Footplate		2
16.0	2FP859	FOOTREST / Footplate for Capella Ultimate Flip Seat		1
17.0	2FP860	Footplate FRAME for Capella Ultimate Flip Seat		1
17.1		M8 x 35MM Lg. Hex bolt (Botton)		4
17.2		M8 Flat Washer		8
17.3		M8 Lock nut		4
	2FP930	Main Frame Mounting Bracket for Capella Ultimate Flip Seat 2+2		1
17.4	2AS030	Cooler - Portable Insert for Ultimate Flip Seat		1
17.5	2AS032	*New Design*Mounting Bracket for Ultimate Flip Seat Cooler		1
17.6	2FP862	LID for SIRIUS Ultimate Flip Seat TRUNK storage area		1

# 19 Electrical Components



Item No.	STAR EV Part No.	Description	MPN	Qty
1-1-2	2BA875	Battery - Trojan T-875 8V Trojan.*48 Volt Cars for 2, 2+2, 4 and 4+2	2100101017000	6
1-2	2BT350	Battery box for 6 batteries	2300901044A00	1
1-4-1	2BT060	Battery Tie down M8 x 215 for 2, 2+2, 4 and 4+2	2200103016C10	2
1-4-2	3HD832	M8, Hex Bolt, zinc plated for 2, 2+2, 4 and 4+2	2200400012000	6
1-4-3	2BT036	Battery Impact Block - Small for 2, 2+2, 4 and 4+2	2207300286B10	2
1-4-4	3HD848	M8 Flat Washers GB/T97.2 8 for 2, 2+2, 4 and 4+2	2200700023000	6
1-4-5	3HD819	M8 Spring Washer GB/T93,8 for 2, 2+2, 4 and 4+2	2200701011000	6
1-4-6	2BT303	Battery Holder (Hydraulic design) fits all CAPELLA for 4 and 4+2	2203900077000	1
1-4-7	3HD802	M8 x 45 Outer hexagon bolt SS GB/T5783 M8*45, A2-70	2200100103000	4
1-4-8	3HD814	M8 A200 SS Flat Washer	2200700021000	8
1-4-9	3HD816	M8 A2-70 SS Lock Nut for 2, 2+2, 4 and 4+2	2200401003000	4
2		Motor device	2905431008000	1
2-1	2MO701	Motor (HSLT), 4KW QDS™ for 2 and 2+2	2101903035000	1
2+1	2MO710	Motor (HSLT), 5KW QDS™ for 4 and 4+2	2101903053000	1
2-2	3HD808	M6 x 25 Hex Bolts DIN933,M6*25 for 2, 2+2, 4 and 4+2	2200100257000	3
2-3	3HD847	M6 Spring Washer GB/T93,6 for 2, 2+2, 4 and 4+2	2200701010000	3
2-4	3HD614	M6 304SS Flat Washer for 2, 2+2, 4 and 4+2	2200700088000	3
3		Controller and installation accessories	2905467007000	1
3-1-1	2CN700	Controller; 1232SE-5321; AC 350 A 48V for 2 and 2+2	2101701024000	1
3-1-1	2CN710	1234SE-5421 48V 450A for 4 and 4+2	2101701036000	1
3-1-2	2SO480	Main contactor ZJW200A/48V for CAPELLA for 2 and 2+2	2102300047A00	1
3-1-2	2SO090	Main contactor - SW180-108 for 4 and 4+2	2102300015000	1
3-1-3	2FU174	Fuse Holder for 2, 2+2, 4 and 4+2	1131550107000	1
3-1-4	2FU330	Fuse - Main Fuse CNN-325A DC48V -S for 4 and 4+2	2102601002000	1
3-1-5	2FU121	Fuse - Holder - 10A or 20A for 2, 2+2, 4 and 4+2	2303400009000	1
3-1-6	2FU150	Accessory Fuse RT14-20/10a for 2, 2+2, 4 and 4+2	2102601003000	1
3-2	3HD819	M8 Spring Washer GB/T93,8 for 2, 2+2, 4 and 4+2	2200701011000	4
3-3	3HD848	M8 Flat Washers GB/T97.2 8 for 2, 2+2, 4 and 4+2	2200700023000	4
3-4	3HD858	M8 x 16 Hexagon headed bolt : GB/T5783 M8*16 for 2, 2+2, 4 and 4+2	2200100089000	4
3-5	2CN916	Cover for controller 320 x 214x 145mm for 2 and 2+2	2304401700C10	1
3-5	2CN911	COVER - for controller on the POD CAPELLA 4P / 4+2	2300800011C00	1
3-6	3HD888	M5 x 15 Cross recessed pan head screw GB818-85 M5*15 for 2+2, 4 and 4+2	1205211014000	4
4		Switch and installation accessories	2905450025000	1
4-1	2SW430	Switch - Forward / Reverse for 2+2, 4 and 4+2	2101400046000	1
4-3	2SW291	Universal Ignition switch with keys for 2+2, 4 and 4+2	2101500048000	1



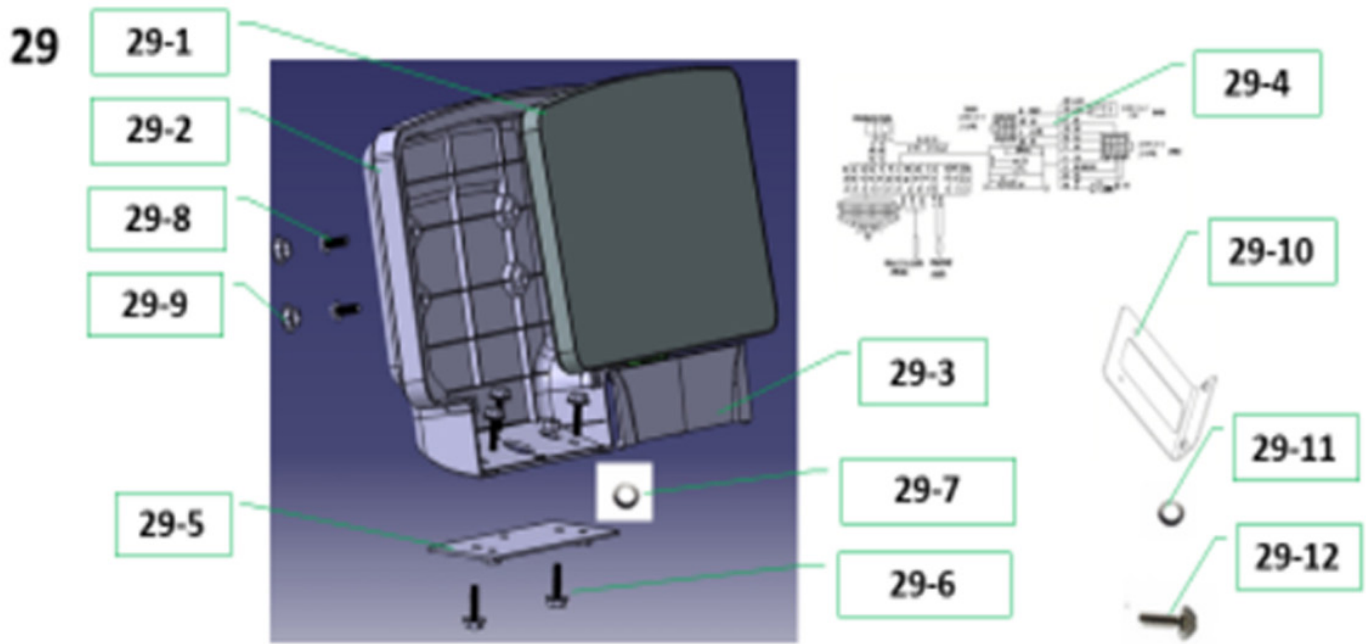
4-4	2SW146	Headlight switch for 2, 2+2, 4 and 4+2	2101400036000	1
4-5	2SW170	Emergency Switch for 2, 2+2, 4 and 4+2	2101400035000	1
4-6	2DC805	Instrument Panel Face PLATE for 2, 2+2, 4 and 4+2	2207302075000	1
4-7	3HD889	Cross recessed pan head tapping screw GB/T 845 ST3.0*16 A200 for 2+2, 4 and 4+2	2200500020000	4
5		Battery cables and Wire Harnesses	2905435016000	1
5-1	2BT139	Battery cables SET with 6 x T875: DG.C2.8A-14001002 for 2, 2+2, 4 and 4+2	2100400162A00	1
5-2	2BT157	Controller Positive and Negative Wire: DG.C2.8A-14002003 for 2, 2+2, 4 and 4+2	2901701191A00	1
5-3	2BT154	Motor cables , 3 cables per set: DG.C2.8A-14002004 for 2, 2+2, 4 and 4+2	2901706137A10	1
5-4	2WH955	Main Power Control Wire Harness Non-CAN for 2P (Late 2023 & older)	2901705272A10	1
	2WH953	Main Power Control Wire Harness WITH CAN for 2P (EARLY 2024 & newer)	2901705485020	1
	2WH957	Main Power Control wire harness non-CAN for 4P	2901705484000	1
5-5	2WH950	Accessory/ Lighting harness for 2 and 2+2 (LATE 2023 & OLDER)	2901704112A00	1
	2WH949	Accessory/ Lighting harness for 2 and 2+2 (EARLY 2024 & NEWER)	2901704243010	1
	2WH951	Accessory wire harness for 4 and 4+2	2901704137A00	1
5-5-1	2FU321	FUSE 15A / 32V 19*19*5mm ROHS for 2, 2+2, 4 and 4+2	1128100105000	5
5-5-2	2FU322	FUSE 10A / 32V 19*19*5mm ROHS for 2, 2+2, 4 and 4+2	1128100123000	1
6		DC converter and installation accessories	2905436002000	1
6-1	2CV155	Voltage Converter Model DC1236-4812 DC48V-DC12 / 20A , Roadster or Accel for 2, 2+2, 4 and 4+2	2101800038000	1
6-2	3HD888	M5 x 15 Cross recessed pan head screw GB818-85 M5*15 for 2+2, 4 and 4+2	1205211014000	4
6-3	3HD890	M5 Hexagon Lock Nut with non-metallic insert GB / T889.1 M5 A2-70 for 2+2, 4 and 4+2	2200401002000	4
6-4	3HD852	M5 Flat Washer GB/T97.1 5 for 2, 2+2, 4 and 4+2	2200700010000	4
7		Lights	2905437003000	1
7-1	2LT746	Headlight-Passenger Side Assembly (Mid 2023 & earlier)	2100700259010	1
	2LT747	Headlight LED-Passenger Side Assembly (Late 2023 - Early 2024)	3208057304	1
	2LT731	Headlight LED with projectors-Passenger Side Assembly (Early 2024 & newer)	3208059468	1
7-2	2LT745	Headlight-Driver Side Assembly for 2, 2+2, 4 and 4+2	2100700258010	1
	2LT748	Headlight LED-Driver Side Assembly (Late 2023-Early 2024)	3208057305	1
	2LT730	Headlight LED with projectors-Driver Side Assembly (Early 2024 & newer)	3208059469	1

7-3	3HD859	Outer hexagon bolt: DIN933,M6*16 for 2, 2+2, 4 and 4+2	1205201026000	4
7-4	2WS475	M6 A200 stainless steel Flat Washer / Windshield for 2, 2+2, 4 and 4+2	2200700017000	4
7-5	3HD891	M6 Clip nut for 2+2, 4 and 4+2	2200406019000	4
7-6	3HD892	M8 x 25 Cross recessed pan head tapping screw GB / T845 ST4.8*25 F-H A2-70 for 2+2, 4 and 4+2	2200500005000	2
7-7	3HD893	M8 Flat Washer GB/T96 5 for 2+2, 4 and 4+2	2200700013000	2
7-8	2LT760	Taillight kit for 2, 2+2, 4 and 4+2	2100700217000	2
	2LT763	Taillight Assembly with reverse light (2024 & newer) Driver or Passenger	3208059462	2
7-9	3HD893	M8 FLAT Washer GB/T96 5 for 2+2, 4 and 4+2	2200700013000	4
7-10	3HD894	M8 x 20 Cross recessed pan head tapping screw GB/T845 ST4.8*20 for 2+2, 4 and 4+2	2200500007000	4
8		Combination switch Assembly	2905439003000	1
8-1	2SW390	Combination switch for 2, 2+2, 4 and 4+2	2101400026000	1
8-2	3HD887	M6 x 20 Cross recessed pan head screw GB / T973 ' M6*20, A2-70 for 2+2 and 4+2	2200305003000	2
8-3	3HD614	M6 304SS Flat Washer for 2, 2+2, 4 and 4+2	2200700088000	2
8-4	2WS476	M6, A2-70 Lock Nut stainless steel: GB/T889.1 M6 A2-70 for 2, 2+2, 4 and 4+2	2200401001000	2
9		Horn and Buzzer	2905460004000	1
9-1	2SW210	Electric horn for 2, 2+2, 4 and 4+2	2101600001000	1
9-2	3HD895	M5*20 External hexagon Rear end self drilling screw for 2+2, 4 and 4+2	2200307005000	1
9-3	2SW152	Backup beeper with terminals	2902400002C00	1
10		Flasher Unit and Installation Accessories	2902701347000	1
10-1	2RL060	Flasher SG125B for 2, 2+2, 4 and 4+2	2101603003000	1
10-2	3HD895	M5*20 External hexagon Rear end self drilling screw for 2+2, 4 and 4+2	2200307005000	1
11		Charging system components	2902701814000	1
11-1-1	2CH000	Charger - Lester Summit II, 36-48V, 650W, w/handle & AC cord for 2, 2+2, 4 and 4+2	2101100506000	1
11-1-2	3HD860	M6 x 25 Hexagon socket head cap screw GB/T70.1, M6*25, A2-70 ' for 2, 2+2, 4 and 4+2	2200300161000	4
11-1-3	3HD861	"Washer GB/T97.1'M6 (12*6.4*1.6)' A200' for 2, 2+2, 4 and 4+2"	2500600017000	4
11-1-4	2WS476	M6, A2-70 Lock Nut stainless steel: GB/T889.1 M6 A2-70 GB/T889.1 M6 A2-7 for 2, 2+2, 4 and 4+2	2200401054000	4
11-1-5	2RC900	Female receptacle with wires for 220V for 2+2, 4 and 4+2	2901702244000	1
11-1-5-1		Buy Assembly 2RC900	2901701234000	1
11-1-5-2		Buy Assembly 2RC900	2100600042000	1
11-1-6	3HD887	"M6 x 20 Cross recessed pan head screw GB/T973 'M6 *20, A2-70 for 2+2 and 4+2"	2200305003000	4

11-1-7	3HD614	M6 304SS Flat Washer for 2, 2+2, 4 and 4+2	2200700088000	4
11-1-8	2WS476	M6, A2-70 Lock Nut stainless steel: GB/T889.1 M6 A2-70 for 2P, 2+2, 4 and 4+2	2200401001000	4
11-1-9	2CR052	Summit II - OFF-BOARD 9 Foot Output Cord for Lester charger for Yeeda Plug for 2+2, 4 and 4+2	2100406003000	1
11-1-10	2CR900	Cord for 220V with G type Plug Only for 2P, 2+2 4 and 4+2 (International)	2902701534000	1
11-1-10-1	2CR910	AC Charger Cord with Yeeda Plug for CAPELLA 110V	2100601043000	1
11-1-10-1-1		Buy Assembly	2100401010000	1
11-1-10-1-2		Buy Assembly	2100401011000	1
11-1-10-1-3		Buy Assembly	2100401008000	1
11-1-10-1-4		Buy Assembly	2100401009000	1
11-1-10-2		Plug for 220V (2CR900)	2100601016000	1
11-1-11			1141090134000	1
11-1-12			2301900045000	1
11-1-13	2CH911	Remote LED for Lester Summit II, 12ft, DB9 with Decal for 2+2, 4 and 4+2	2901711246000	1
11-2		110V charger system	2905540006000	1
11-2-1	2CH000	Charger - Lester Summit II, 36-48v, 650w, w/Handle & AC Cord for 2, 2+2, 4 and 4+2	2101100506000	1
11-2-2	3HD860	M6 x 25 Hexagon socket head cap screw GB/T70.1, M6*25, A2-70 ' for 2, 2+2, 4 and 4+2	2200300161000	4
11-2-3	3HD861	"Washer GB/T97.1 ' M6(12*6.4*1.6) ' A200 ' for 2, 2+2, 4 and 4+2"	2500600017000	4
11-2-4	2WS476	M6, A2-70 Lock Nut stainless steel: GB/T889.1 M6 A2-70 GB/T889.1 M6 A2-7 for 2, 2+2, 4 and 4+2	2200401054000	4
11-2-5	2RC080	Female receptacle with wires for 110V for 2P, 2+2, 4 & 4+2	290170224500	1
11-2-5-1		Buy Assembly 2RC900	2901701234000	1
11-2-5-2		Buy Assembly 2RC080	2100601040000	1
11-2-6	3HD887	M6 x 20 Cross recessed pan head screw GB/T973' M6*20, A2-70 for 2+2 and 4+2	2200305003000	4
11-2-7	3HD614	M6 304SS Flat Washer for 2, 2+2, 4 and 4+2	2200700088000	4
11-2-8	2WS476	M6, A2-70 Lock Nut stainless steel: GB/T889.1 M6 A2-70 for 2, 2+2, 4 and 4+2	2200401001000	4
11-2-9	2CR052	Summit II - OFF-BOARD 9 Foot Output Cord for Lester charger for Yeeda Plug for 2+2, 4 and 4+2	2100406003000	1
11-2-10	2CR910	AC Charger Cord with Yeeda Plug for CAPELLA 110V	2100601043000	1
11-2-10-1		Buy Assembly	2100401022000	1
11-2-10-1-1		Buy Assembly	2100401010000	1
11-2-10-1-2		Buy Assembly	2100401011000	1
11-2-10-1-3		Buy Assembly	2100401008000	1
11-2-10-1-4		Buy Assembly	2100401009000	1
11-2-10-2		Plug for 120V	2100601041000	1

11-2-11			1141090134000	1
11-2-12			2301900045000	1
11-2-13	2CH911	Remote LED for Lester Summit II, 12ft, DB9 with Decal for 2+2, 4 & 4+2	2901711246000	1
12-1	2MT279	Instrument Panel display for CAPELLA (Late 2020 -2023) (Celsius or Fahrenheit)	2100200159000	1
12-A	2MT297	<b>Assembly:</b> 10" Instrument Panel display (EARLY 2024) with CAN (Lithium or Lead Acid)	3207015501	1
12-B	2MT805	<b>Assembly:</b> NEW 10" Instrument Panel display with Multimedia function (Early 2024 & newer)	3207019464	1
12-2	3HD896	M5 Cap nut GB/T923 M5 A2-70 for 2P, 2+2, 4 and 4+2	2200402002000	3
12-3	3HD852	M5 Flat Washer GB/T97.1 5 for 2P, 2+2, 4 and 4+2	2200700010000	3
12-4	3HD897	M5 Spring Washer GB859-87 5 for 2P, 2+2, 4 and 4+2	1205002017000	3
12-5	2MT278	Instrument retainer plate for 2P, 2+2, 4 and 4+2	2207301153000	1
12-6	3HD898	M6 x 16 Cross recessed pan head screw GB/T818 M6*16 for 2+2, 4 and 4+2	2200304013000	2
12-7	3HD614	M6 304SS Flat Washer for 2, 2+2, 4 and 4+2	2200700088000	2
12-8	2WS476	M6, A2-70 Lock Nut Stainless Steel: GB/T889.1 M6 A2-70 for 2, 2+2, 4 and 4+2	2200401001000	2
13		Clamps for 2, 2+2, 4 and 4+2	2902701816000	1
13-1	2WH940	Harness Clamp $\phi$ 25 for 2, 2+2, 4 and 4+2	2302800007000	4
13-2	2WH941	Harness Clamp $\phi$ 45 for 2, 2+2, 4 and 4+2	2302800008000	12
13-3	2WH942	Harness Clamp $\phi$ 65 for 2, 2+2, 4 and 4+2	2302800009000	4

## 20 Digital Display



Item No.	STAR EV Part No.	Description	MPN	Qty
29	N/A	CAPELLA 10 inch display Assembly DG-C2-8G,10	2103014663	1
29-1	2MT297	Assembly: 10" Instrument Panel display (EARLY 2024) with CAN (Lithium or Lead Acid)	3207015501	1
29-2	2MT299	Display cover body DG.C2.8G-17000010,S7, ABS	3401010386	1
29-3	2MT300	Display cover DG.C2.8G-17000011,S7, ABS	3401010387	1
29-4	2MT301	Connecting cable DG.C2.8G-14000010, S1	3205026662	1
29-5	2MT302	Display mounting plate DG.C2.8G-17000012, S1, GB/T708 2.0T	3304017748	1
29-6	2HD295	Coarse teeth full thread hexagon head bolt GB/T5783 M6 x 15	2200102246000	5
29-7	2HD296	Large Washer GB/T 96.1-6,A2	2200700017000	5
29-8	2HD297	Cross recess pan head screw GB/T 818-M5×20,A2-70, 300	2200304199000	4
29-9	2MT303	Rubber mat MC12-4.0001-0700, A0, φ10*2mm, ROHS	1304202011A00	4
29-10	2MT304	Display support plate DG.C2.8G-10000110, S0, Q235, 3mm	3301022504	1
29-11	2HD298	Hex socket flat round head screw GB/T70.2 - M6x16,8.8	2200301177000	4
29-12	2HD299	Flat Washer GB/T97.1-6	2200700104000	4