

 Search with Ctrl-F (PC) or Command-F (Mac) to quickly find what you're looking for.

# CAPELLA<sup>®</sup>

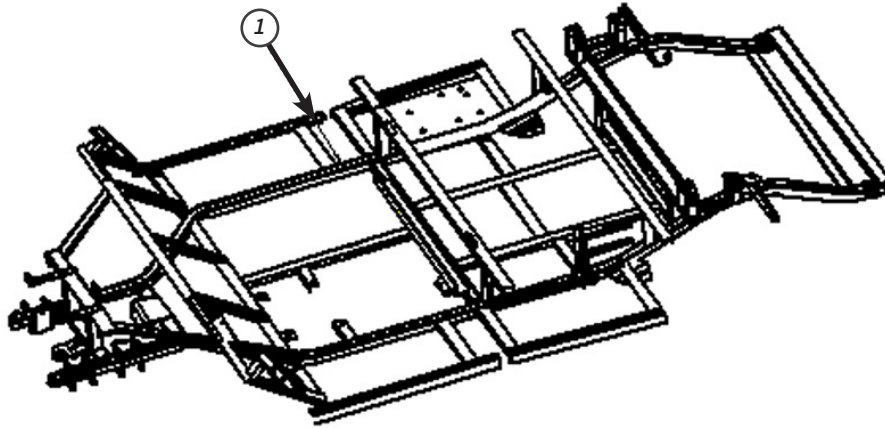
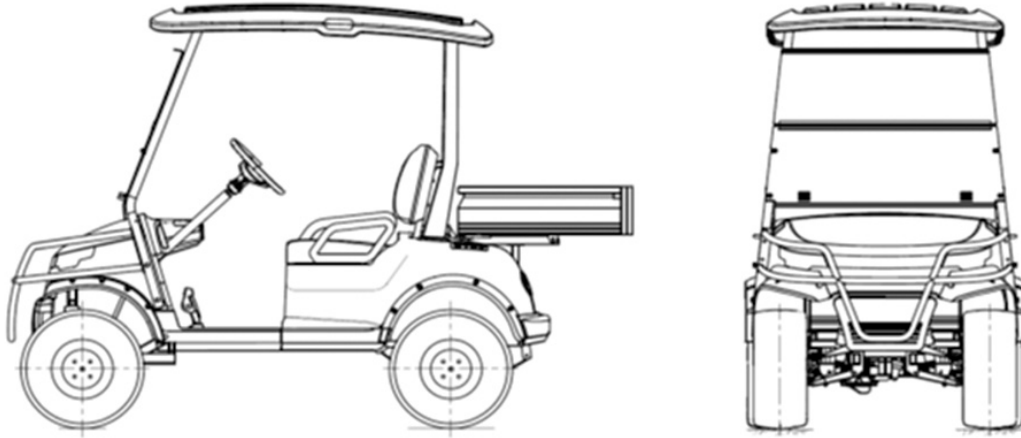
Capella Lifted 2H Utility



# Contents

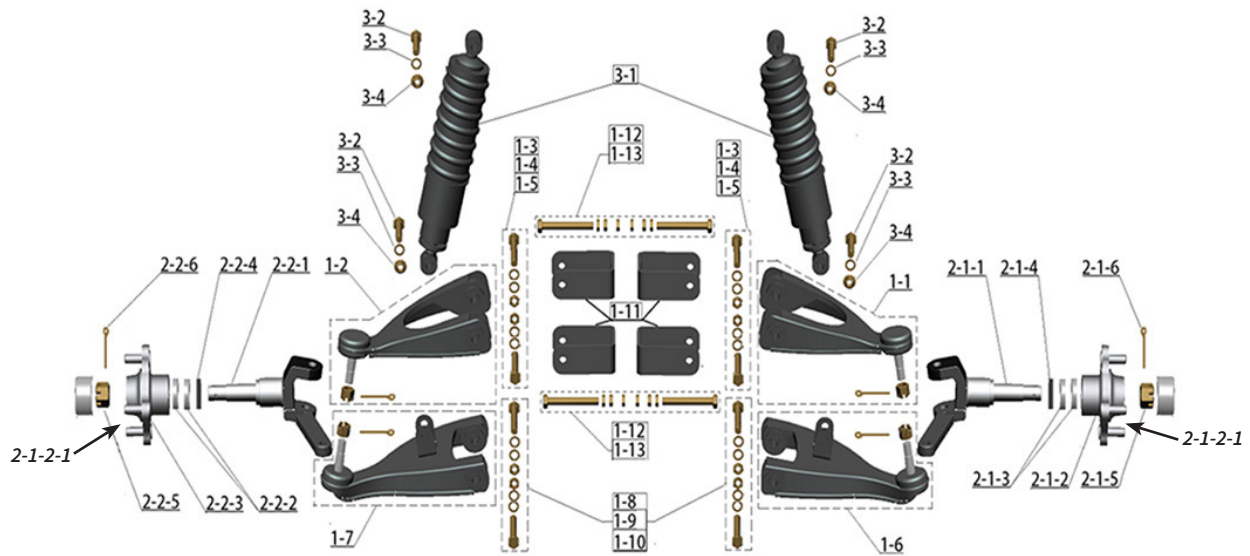
1	Chassis (Capella Lifted 2H)	3
2	Front Suspension	4-5
3	Rear Suspension	6
4	Steering System	7
5	Brake System	8
6	Seats (Body Parts)	9
7	Roof Assembly	10-11
8	Front Body / Dashboard Assembly	12-15
9	Front Bumper / Rear Cargo Box	16-17
10	Electric Parts	18-19
11	Battery Controller & Motor Harness	20-21
12	Controller and Installing Accessories	22
13	Lighting Parts	23
14	Seat Belts	24
15	Fender Flares and Install Assembly	25
16	Tire and Install Assembly	26
17	10" Digital Assembly	27

# 1 Chassis



Item No.	STAR EV Part No.	Description	MPN	Qty
1		Chassis Assembly	2207400270020	1

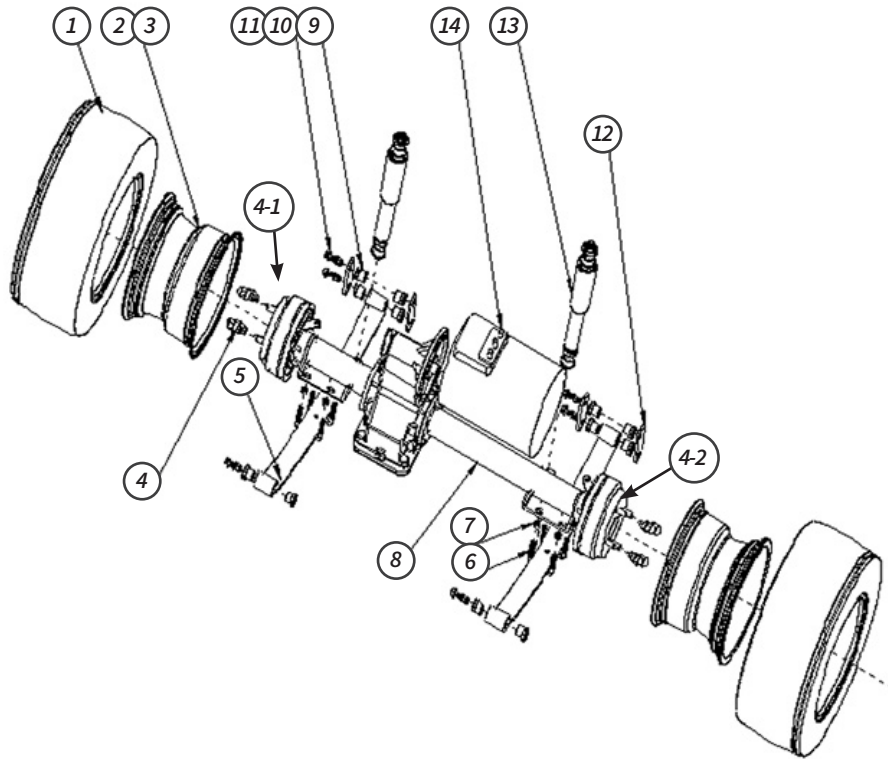
## 2 Front Suspension



Item No.	STAR EV Part No.	Description	MPN	Qty
		Front suspension part	2900200135000	1
1		Swing arm and installation accessories	2905401003000	1
1-1	2SC811	Upper control arm (passenger side)	3102012032	1
1-2	2SC710	Upper control arm (driver side)	3102012033	1
1-3		Outer hexagon bolt GB/t5782, m10*90	2200102202000	4
1-4		Flat washer GB/T97.1 ,M10 (20*10.5*2)	2500600013000	8
1-5		All metal insert lock nut GB/t6184, m10	2200450004000	4
1-6	2SC712	Lower control arm (passenger side)	3102013874	1
1-7	2SC713	Lower control arm (driver side)	3102013870	1
1-8		Outer hexagon bolt GB/t5782, m10*80	2200102102000	4
1-9		Flat pad GB/T97.1 ,M10 (20*10.5*2)	2500600013000	8
1-10		All metal insert lock nut	2200450004000	4
1-11	2SC830	Camber adjustment bending	2207301154020	4
1-12		Outer hexagon bolt GB/t6184, m10	2200102257000	4
1-13		Hexagon nut GB/t6170,m10	2200400146000	12
2		Spindle assembly and installation accessories	2201802014000	1
2-1		Spindle assembly passenger side	2207203307000	1
2-1-1	2SP756	Spindle (passenger side)	2205400033A00	1
2-1-2	2HU700	Hub	2205100155A10	1
2-1-2-1	2LN052	Front Silver Stud for HUB for Capella	2200103136000	4
2-1-3	2BE001	Tapered roller bearings 44643	2201200019000	2
2-1-4	2OL702	Oil seal $\phi 52 * \phi 30 * 10 \text{mm}$	2301300002000	1

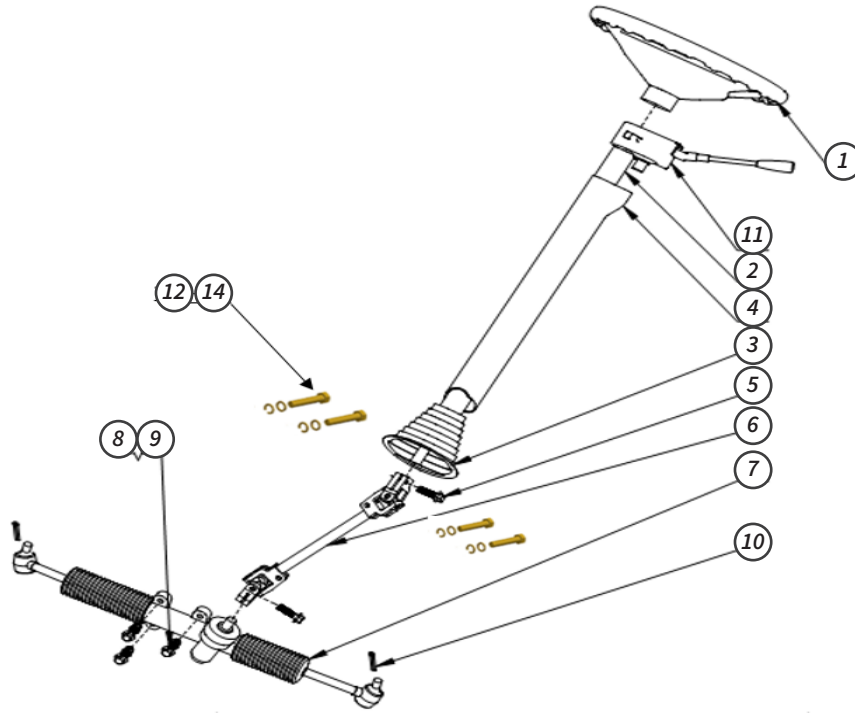
2-1-5	2SP901	Hexagon slotted nuts m24*1.5	2200403009000	1
2-1-6	2HD201	Cotter pin GB/t91 4*35	2200900011000	1
2-2		Spindle assembly driver side	2207203308000	1
2-2-1	2SP755	Spindle (driver side)	2205400032A00	1
2-2-2	2HU700	Hub	2205100155A10	1
2-1-2-1	2LN052	Front Silver Stud for HUB for Capella	2200103136000	4
2-2-3	2BE001	Tapered roller bearings 44643	2201200019000	2
2-2-4	2OL702	Oil seal $\phi 52 * \phi 30 * 10 \text{mm}$	2301300002000	1
2-2-5	2SP901	Hexagon slotted nuts m24*1.5	2200403009000	1
2-2-6	2HD201	Cotter pin BG/t91 4*35	2200900011000	1
3		Shock absorbers and mounting accessories	2905403019000	2
3-1	2SC755	Front shock absorber assembly	2205300064000	2
3-2		Hex bolts GB/T5783, M10*50	2200102099000	4
3-3		Flat Washer GB/T97.1 ,M10(20*10.5*2)	2500600013000	8
3-4	3HD161	M10 Spring Washer	2200701087000	4

### 3 Rear Suspension



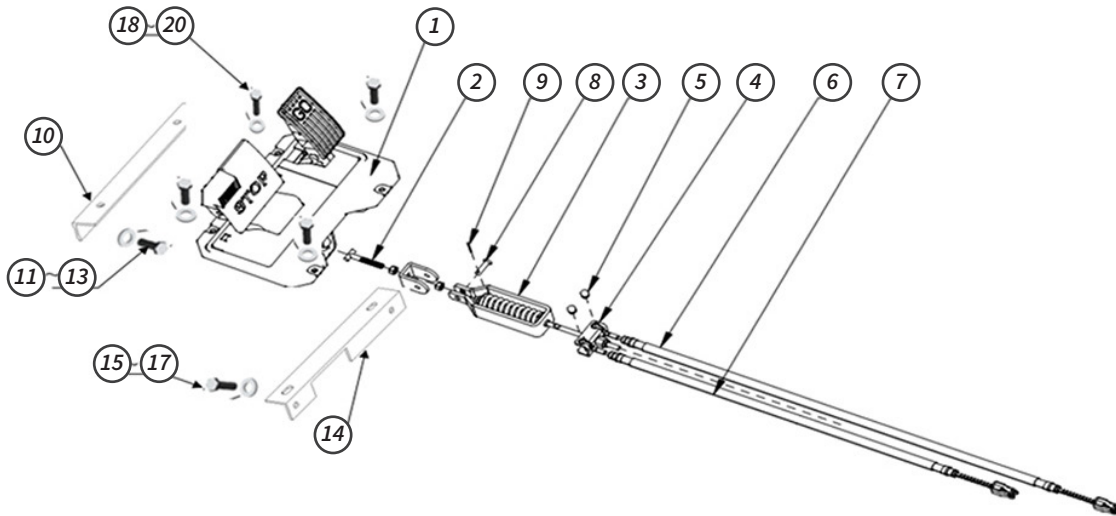
Item No.	STAR EV Part No.	Description	MPN	Qty
		Rear suspension part	2900300155000	1
1	2TR516	Tire at 22*10-10, 4ptl	2301400010000	2
2	2RM908	Rim 10*8	2205100099000	2
3		Valve TR412 18*8.5-8	2205900005000	2
4	2LN015	Wheel nuts q/2a-cj-159-m12*1.25	2200406043000	8
4-1	2LN053	Rear Axle Stud (Gold) 8SD906105 for Capella	2200600022000	8
4-2	2LN055	Rear Axle Stud for Capella 4P/4+2 M12*1.25 (HUB BOLT)	2200103139000	8
5	2LF012	Rear leaf spring assembly (baked black paint)	2204010062A00	2
6	2LF007	U-bolt ,63*52*40*m10	2200104004C00	4
7	3HD142	All metal hex flange face lock nuts GB / t6187.1,M10*1.5	2200404004000	8
8	2RE800	Rear axle assembly	2204400003001	1
9	2BS750	Steel plate rubber sleeve $\phi 28^* \phi 22^* \phi 14^* 22$	2301900004C00	12
10	2LF016	Rib bolts	2200103003010	6
11		All metal hex flange face lock nuts GB t6187.1,M10*1.5	2200404060000	6
12	2LF021	Connecting plate	2207301263000	4
13	2SK850	Rear shock	2205300031000	2
14	2MO701	AC 32V4KW motor AQHT4-4003B 19 spline	2101903035000	1

## 4 Steering System



Item No.	STAR EV Part No.	Description	MPN	Qty
		Steering system	2900400082000	1
1	2SL035	Steering wheel assembly	2207700001C00	1
2	2ST157	Steering column assembly	2205600001C00	1
3	2ST041	Steering post cover (rubber boot)	2301900031000	1
4	2ST158	Steering post plastic cover 45*6.5*3.5cm	2301900032000	1
5	3HD009	M10 x 40 hex bolt GB/t5783, m8*25	2200100076000	2
6	2ST285	Lower steering shaft - (universal joint)	2206000033A00	1
7	2ST515	Steering machine assembly	2207800034A00	1
8		Hex bolts GB/t5783, m10*55	2200102201000	3
9		All metal hex flange face lock nuts GB/t6187.1, M10*1.5	2200404060000	3
10	2HD212	Cotter pin 3 x 40	2200900010000	2
11	2SW390	Combination switch	2101400026000	1
11-1		Cross recessed flat head screws GB/t973 M6*20 a2-70	2200305003000	2
11-2		M6 304ss flat washer	2200700088000	2
12		Hex bolts GB/t5783, m10*40	2200102098000	4
13		Flat washer GB/T97.1, M10(20*10.5*2)	2500600013000	8
14		All metal insert lock nut GB/t6184, m10	2200450004000	4

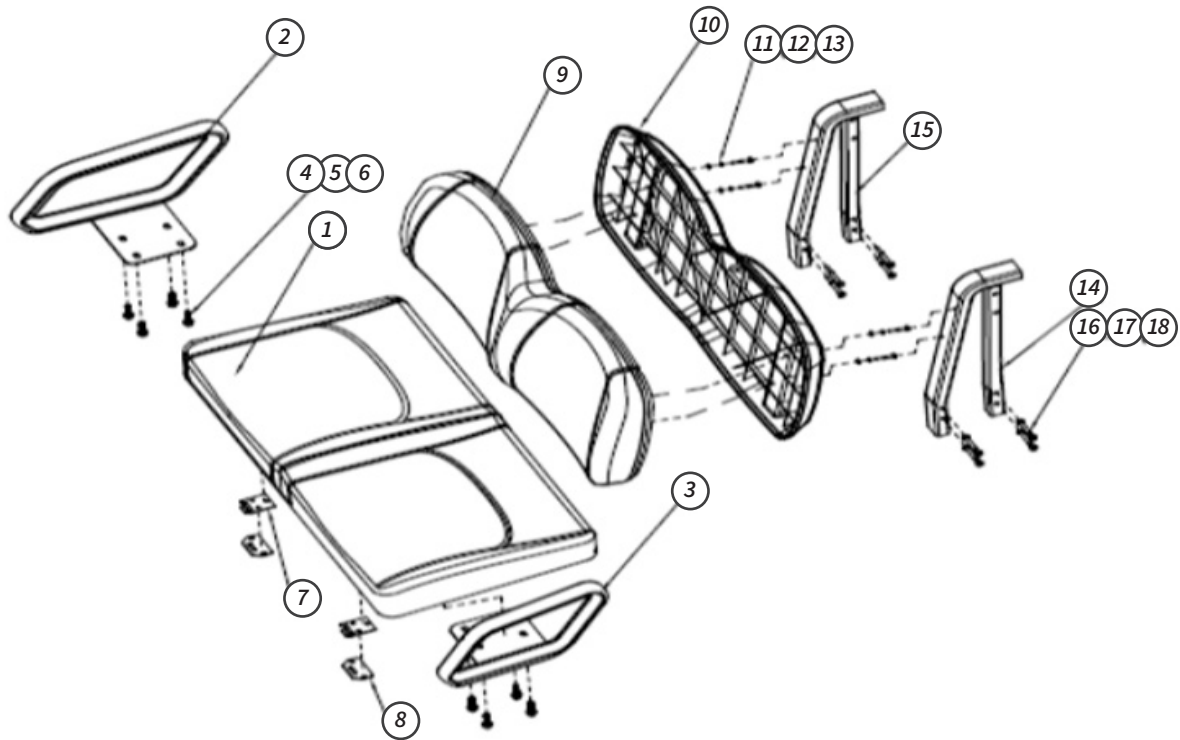
## 5 Brake System



Item No.	STAR EV Part No.	Description	MPN	Qty
1	2PD700	Brake system	2900500219000	1
2	2BP701	Brake pedal assembly	2206200273000	1
3	2PB700	Tie rod	2204800079A00	1
4	2BM700	Compensator	2206100126000	1
5	2BM705	Balancer 57 x 30.5 *24 M zinc plated	2208605001C00	1
6	2CB811	Rubber plug. $\Phi 12 \times \phi 11 \times \phi 10 \times 14.2$ ,	2301906013C00	2
7	2CB810	Long brake cable ev.G2-150006, a0, 1180*1040	2206900117000	1
8	2HD200	Short brake cable ev.G2-150016 (a0), 940 *800	2206900118000	1
9	2HD213	Clevis pin 8 x 20	2200902002000	2
10		Cotter pin, cotter pin 2.5 x 16	2200900005000	2
11		Brake pedal mounting plate front	2207301987010	1
12		Hex bolts GB/t5783. M8*45	2200102199000	2
13		Flat washer GB/t97.1, M8 (16*8.4*1.6)	2500600012000	4
14		All metal insert lock nut GB/t6184, m8	2200450003000	2
15		Brake pedal mounting plate	2207301986000	1
16		Hexagon head bolts GB/t5783, m8*20	2200102128000	2
17		Flat washer GB/t97.1, M8 (16*8.4*1.6)	2500600012000	4
18		All metal insert lock nut GB/t6184, m8	2200450003000	2
19		Hexagon socket head screws GB/t70.2, M8*25	2200413062000	4
20		Flat washer GB/t97.1, M8 (16*8.4*1.6)	2500600012000	4
		All metal insert lock nut GB/t6184, m8	2200450003000	4



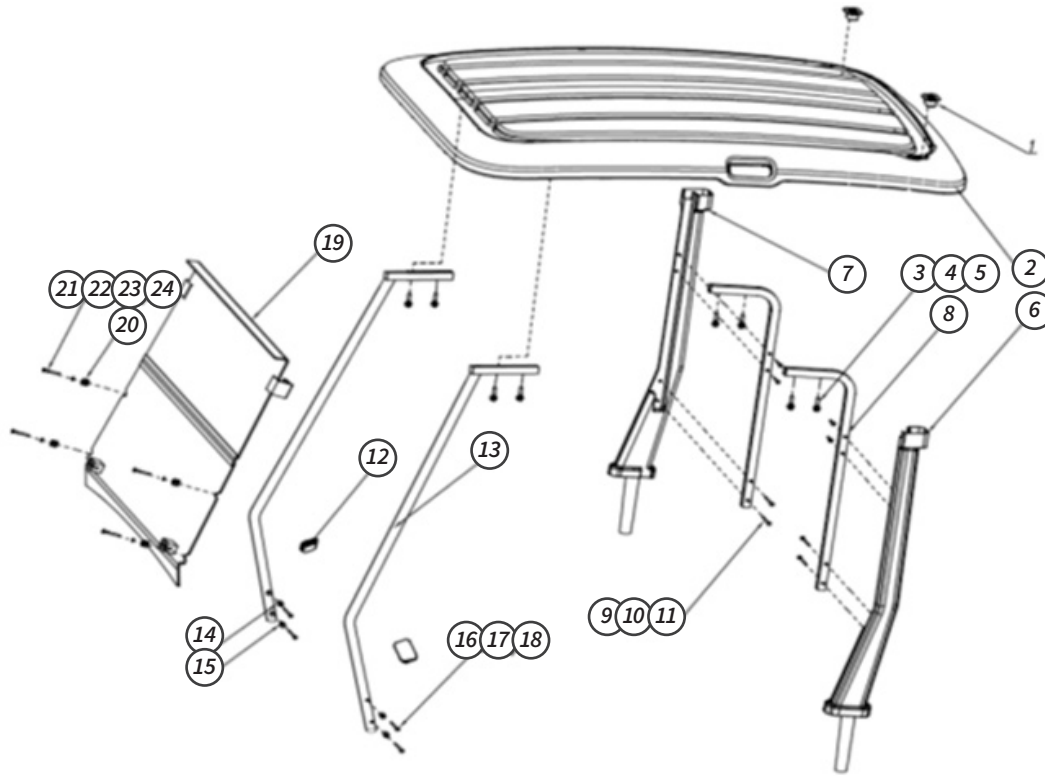
## 6 Seats (Body Parts)



Item No.	STAR EV Part No.	Description	MPN	Qty
1	2CS452	Beige-bottom cushion for over batteries	2501500246020	1
	2CS452-HK	*HK ONLY* Capella, Beige Backrest Cushion-Front, POD & OEM Flip seat FOR Capella, Open Work Machine, Capella Lifted (2023 & LATER)	3108024550	1
2	2CS036	Passenger side armrest (Large)	2202600149A00	1
3	2CS035	Driver side armrest	2202600150A00	1
4		Hexagon head bolts GB/t5783,m8*25	2200100467000	8
5	3HD869	Flat washer GB/T97.1, M8 (16*8.4*1.6)	2500600012000	8
6	3HD870	M8 spring washer GB/t93,8.1,	2200701086000	8
7	2HG040	Hinge	2202200001000	2
8		Cross recessed countersunk head bolts GB819-85, M6*20, a2-70	2200107011000	6
9	2CS451	Back cushion	2501504072A00	1
	2CS451-HK	*HK ONLY* Capella, Beige Backrest Cushion - Front, pod & OEM Flip seat FOR Capella, Open Work Machine, Capella Lifted (2023 & LATER)	3407012635	1
10	2CS080	Back cover	2501506024A00	1
11		Hexagon socket head screws GB/t 70.2, M6*50, a2-70	2200301224000	4
12	3HD629	M6 a200 ss Flat Washer	2200700015000	4
13	3HD847	M6 Spring Washer, GB/t93,6	2200701010000	4
14	2CS958	Backrest bracket welded driver side	2207201378A00	1

15	2CS959	Backrest bracket welded Passenger Side	2207201379A00	1
16		Hexagon Head Bolts GB/5782 m8*75 a2-70 8.8	2200100154000	8
17		Flat washers BG/T96.2, M8	2200700022000	8
18		Non-metallic insert hex lock nuts GB/t889.1 M8	2200401008000	8

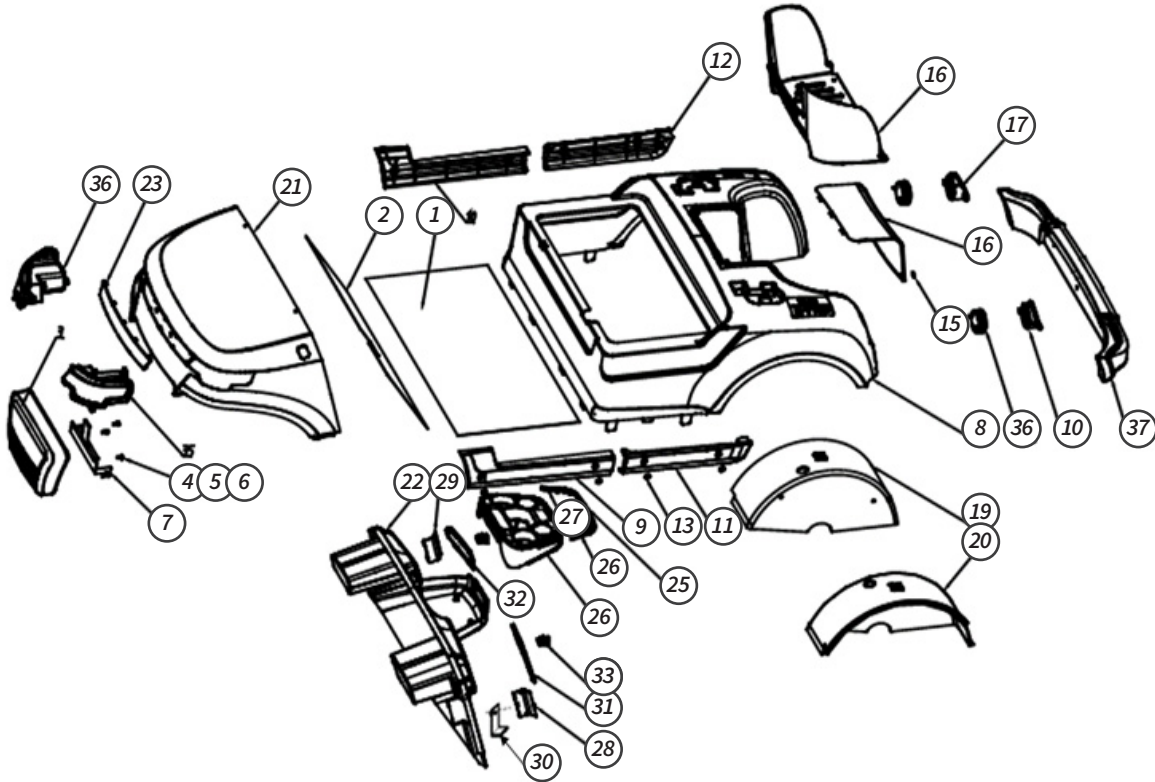
## 7 Roof Assembly



Item No.	STAR EV Part No.	Description	MPN	Qty
1	2RF942	Filter plug	2301906066000	2
2	2RF700	Roof	2302501918000	1
3		Hexagon socket flat point set screws GB/T77-2007-M10×45,8.8	2200402027000	8
4		Cap Hex Nut GB/T923,M10, A2-70	2200402020000	8
5		Flat Washers GB/T97.1, 10	2200700085000	8
6	2BK202	Rear roof support driver side	2208300071A00	1
7	2BK204	Rear roof support passenger side	2208300072A00	1
8	2BK200	rear pillar	2208300076A10	2
9		Hexagon head bolts GB/T5783, M8*40	2200102130000	8
10	3HD814	M8 Flat Washers GB/T97.2, 8, A200	2200700021000	8
11	3HD818	Spring pad GB/T93,8	2200701012000	8
12	2WS802	Rubber Plug for A-pillar	2301906106000	2
13	2BC214	front ROOF SUPPORT	2208300069A00	2
14		Spacer 1 Q235A 25*5	2202100161A00	2
15		Spacer 2 Q235A 25*5	2202100191A00	2
16		Hexagon head bolts GB/T5783,M12*100	2200100294000	2
		Hexagon head bolts GB/T5783,M12*90,8.8	2200100048000	2
17		Flat Washers GB/T97.1 12	2200700030000	4

18		Spring pad GB/T93 12	2200701015000	4
19	2WS810	Folding windshield	2400700235A00	1
20	2WS472	Black Rubber mount $\Phi 20^* \Phi 14^* 16$ , 7mm opening, includes $\phi 10^* \phi 7^* 14$ bushing	2303900005C00	4
21	2WS473	Cushion	2301903003000	4
22		Cross recessed pan head screw GB/T818 M6*65 A2-70	2200304126000	4
23	2WS475	Flat Washers GB/T96, 6 A200	2200700017000	4
24		Cap Hex Nut GB/T923, M6, A2-70	2200402018000	4

## 8 Front Body / Dashboard Assembly



Item No.	STAR EV Part No.	Description	MPN	Qty
		Body parts-front body/dashboard assembly	2900700149000	
1	2BD800	Bottom floor (firewall) 495*1100	2207301171030	1
2	2BD801	Front iron floor (firewall) 360*980	2207301172A20	1
2-1	3HD601	M2 x 25 cross recessed countersunk head self drilling self tapping screw GB/t15856.2 St4.2x25	2200300068000	15
2-2	2BD715	Foam padding 25mm*3.0mm	2302605041000	10
3	2BU800	Front bumper	2206400035A10	1
4		Hexagon Head Bolts GB/t5783, m8*20	2200102128000	3
5	3HD869	M8 Flat Washer: GB/T97.1,M8(16*8.4*1.6)	2500600012000	3
6	3HD870	M8 Spring Washer: GB/t93,8.1,	2200701086000	3
7	2BU803	Front bumper mount	2208100229A00	1
7-1		Hexagon Head Bolts: GB/t5783, m8*45	2200102199000	2
7-2	3HD869	M8 Flat Washer: GB/T97.1,M8(16*8.4*1.6)	2500600012000	2
	3HD870	M8 Spring Washer GB/t93,8.1,	2200701086000	2
8		Rear body	2400200701000	1
8	2BY650	Rear body - Pure White		
8	2BY651	Rear body - Coastal Blue		
8	2BY652	Rear body - Candy Apple Red		
8	2BY653	Rear body - Royal Blue		

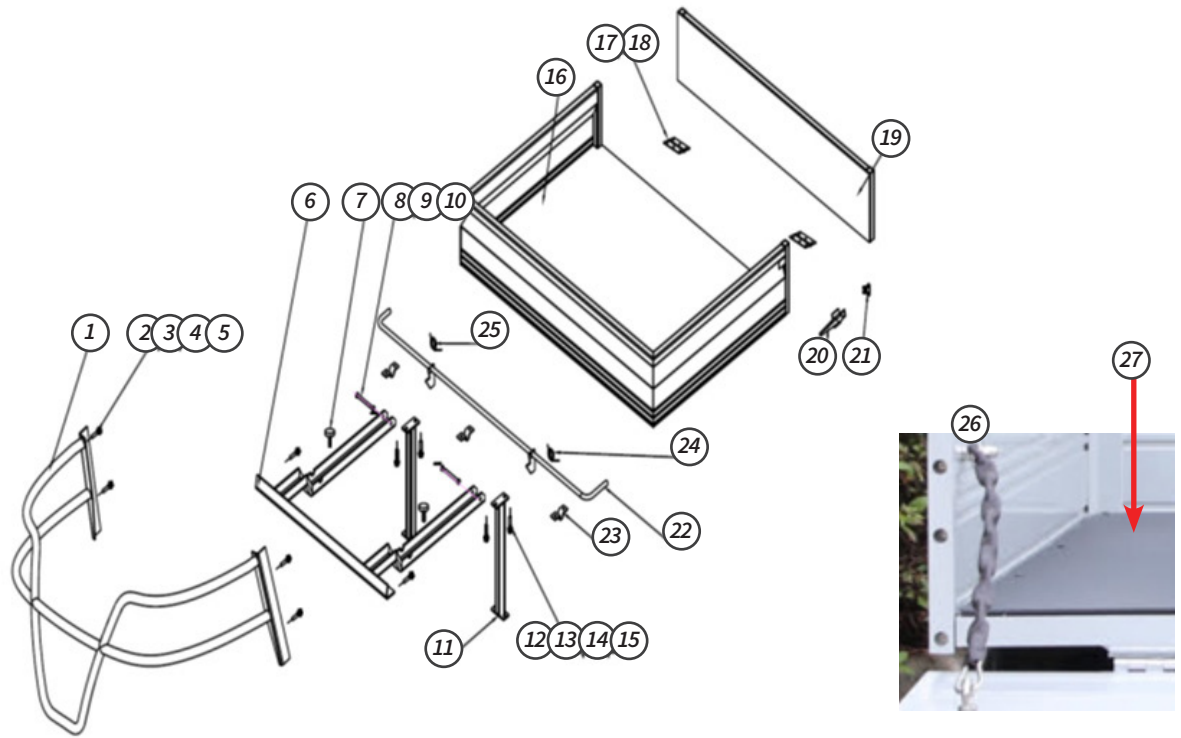
8	2BY654	Rear body - Lime Green		
8	2BY655	Rear body - Black		
8	2BY656	Rear body - Forest Blue Mist		
8	2BY657	Rear body - Sunburst Orange		
8	2BY658	Rear Body - Beige		
8	2BY659	Rear Body - Yellow		
8	2BY662	Rear Body - Metallic Silver		
9	2RP781	Rocker Panel - Driver Side front rev 1 (before PO 212303)	2208200189A00	1
9	2RP791	Rocker Panel - Driver Side front rev 2 (PO 212303 & after)	2208200189A20	1
10	2RP783	Rocker Panel - Passenger Side front rev 1 (Before PO 212303)	2208200190A00	1
10	2RP793	Rocker panel - passenger side front rev 2 (PO 212303 & after)	2208200190A20	1
10-1		Hexagon socket head screws GB/t70.2, M8*35	2200413063000	4
10-2	3HD869	All metal insert lock nut GB/t6184, m8	2500600012000	4
10-3	3HD870	M8 Spring Washer GB/t93,8.1,	2200701086000	4
10-4	3HD868	M8 Hexagon Nut: GB/t6170,m8,	2200400145000	4
11	2RP782	Rear side rail left	2208200191A00	1
12	2RP784	Rear side rail right	2208200192A00	1
12-1		Hexagon socket head screws GB/t70.2, M8*35	2200413063000	4
12-2	3HD869	All metal insert lock nut GB/t6184, m8	2500600012000	4
12-3	3HD870	M8 Spring Washer GB/t93,8.1,	2200701086000	4
12-4	3HD868	M8 Hexagon Nut: GB/t6170,m8,	2200400145000	4
13	2RP780	Rubber stopper	2301906067000	8
14	2MO091	Maintenance cover	2207301149A10	1
15	2GB181	Plastic nail $\phi$ 17.5*23mm	2301700001000	12
16	2GB180	Bag well liner	2303400081A10	1
17	2LT762	Passenger rear taillight shell for Capella	2100700271000	1
18	2LT761	Driver rear taillight shell for Capella	2100700252000	1
19	2FN801	Rear mudguard (Passenger Side)	2302305105A10	1
20	2FN800	Rear mudguard (Driver Side)	2302305106A10	1
21		Front body	2400200702000	1
21	2BO650	Front body - Pure White		
21	2BO651	Front body - Coastal Blue		
21	2BO652	Front body - Candy Apple Red		
21	2BO653	Front body - Royal Blue		
21	2BO654	Front body - Lime Green		
21	2BO655	Front body - Black		

21	2BO656	Front body - forest blue mist		
21	2BO657	Front body - sunburst orange		
21	2BO658	Front body - beige		
21	2BO659	Front body - yellow		
21	2BO661	Front body - metallic silver		
22	2DB041	Dashboard	2301600024A10	1
22-1	2HD117	Rivet 5 x 15, GB/t12618 5*15	2201000011000	10
22-2	3HD603	9 x 14mm cross recessed pan head tapping screw: GB/T845,st2.9*14mm	2200500093000	10
23	2BO699	Front grill	2305201001000	1
23-1		Hex Nuts GB/t6170,m5, a2-70	2200400149000	6
23-2		Flat Washer GB/T97.1, M5 (10*5.3*1)	2500600016000	6
23-3		Spring Washer GB/T93,5.1, A200	2200701090000	6
24	2CP800	Cup Holder on dashboard	2305101001000	1
25	2CP801	Middle - Decorative trim for cup holder	2300400462A00	1
26	2CP802	Driver Side - Decorative trim for cup holder	2300400463A00	1
27	2CP803	Passenger Side - Decorative trim for cup holder	2300400464A00	1
27-1	3HD604	2 x 8mm cross recessed pan head tapping screw: GB/T845, st2.2*8mm	2200500078000	6
27-2	3HD603	9 x 14mm cross recessed pan head tapping screw: GB/T845, st2.9*14mm	2200500093000	2
27-3	2DB718	Access panel for driver side roof support bracket	2207301155A00	1
28	2DB718	Access panel for driver side roof support bracket	2207301155A00	1
29	2DB719	Front bracket right mounting plate	2207301156A00	1
30	2DB721	Mounting plate for roof support bracket	2207300249A00	2
30-1	3HD854	M4 x 18mm round head cross screw: PWM m4*18mm	1205209095A00	2
30-2		Rivet 5 x 15 GB/t12618 5*15	2201000011000	4
31	2GV120	Glove box door driver side	2401001512A10	1
32	2GV121	Glove box door passenger side	2401001511A10	1
33	2GV601	Lock with key for glove box	2202000012000	2
34	2LT746	Headlight-Passenger Side Assembly	2100700259010	1
35	2LT745	Headlight-Driver Side Assembly	2100700258010	1
35-1		Hex BoltsGB / t5783, M6*15	2200102246000	4
35-2	3HD882	Large flat pad GB/T96, M6 (18*6.4*1.6, A200)	2200704005000	4
35-3	3HD891	Clip Nut M6	2200406019000	4
35-4		Cross recessed pan head tapping screws GB/T845 st4.8*25, A2-70	2200500233000	2
35-5		Large flat pad GB/T96, m5 (15*5.3*1, A200)	2301908145000	2
36	2LT760	Taillight assembly driver or passenger	2100700217000	2
36-1		Large flat pad GB/T96, m5 (15*5.3*1, A200)	2301908145000	4

36-2		Cross recessed pan head tapping screws	2200500173000	4
37		Rear bumper	2301800040A00	1
37-1		Hexagon head bolts GB/t5783, m8*20	2200102128000	3
37-2	3HD869	All metal insert lock nut GB/t6184, m8	2500600012000	3
37-3	3HD870	M8 spring washer GB/t93,8.1,	2200701086000	3
38	2BY998	Access panel for rear body	2300400325000	1
38-1		Cross recessed pan head screws GB/T818, m4*12, a2-70	2200304197000	4
39		Rear cover support rod dg.C2.8-11000100 (A/2 j20*10*2 - GB/t6728 q235-GB/t700	2204900170020	2
39-1		Hex Bolts GB/t5783, M6*15, a2-70	2200102204000	8
39-2		M6 Washer GB/T97.1, M6 (12*6.4*1.6), A200	2500600017000	16
39-3		Non-Metallic insert hex lock nuts GB/t889.1, M6, a2-70, 300	2200401054000	8



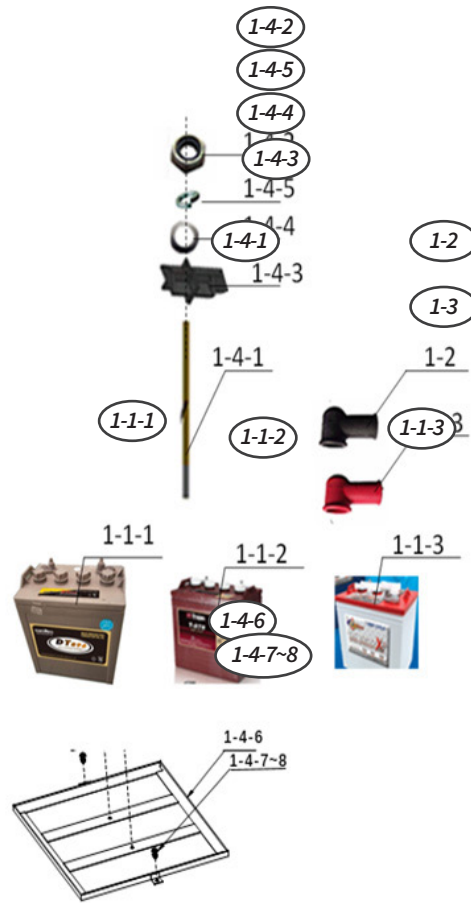
## 9 Body Parts Front Bumper / Rear Cargo Box Parts



Item No.	STAR EV Part No.	Description	MPN	Qty
		Body parts-front bumper/rear cargo box parts	2900700149000	
1	2BG800	Brush guard	2206400042020	1
2		Hex Bolts GB/t5783, M10*50	2200102099000	4
3		All metal hex flange face lock nuts GB t6187.1, M10*1.25	2200404061000	4
4	3HD161	M10 Spring Washer	2200701087000	4
5		Flat washer GB/t97.1, M10(20*10.5*2)	2500600013000	4
6	2UT851	Rear Cargo Box Mounting Bracket	3304022341	1
7		Bakelite Bolts dg.C2-150002,φ35*15,m8*40mm	2200600003C00	2
	2UT818	Catch chain	2103014450	1
8	2UT819	Turn the pin dh.C2.8-18000400	2200902076000	2
9	3HD863	M8 Large Washer GB/t96, m8 (24*8.4*2, A200)	2200704006000	2
10	2HD211	Cotter Pin 3 x 30	2200900003000	2
11	2UT853	Mounting column for Rear Cargo Box	3304012971	2
12	3HD869	M8 Flat Washer GB/t97.1, M8(16*8.4*1.6)	2500600012000	8
13	3HD870	M8 Spring Washer GB/t93,8.1,	2200701086000	8
14	3HD883	M8 x 25 outer hexagon bolt GB/t5783, M8*25, a2-70	2200102184000	4
14-1	3HD802	M8 x 45 outer hexagon bolt GB/t5783, M8*45, a2-70	2200102168000	4
15	3HD868	M8 hexagon nut: GB/t6170,m8,	2200400145000	8
16	2UT850	Rear Cargo Box 800*1100*310	3304029858	1

17	2HG041	Hinge	2202200003000	2
18		Rivet 5 x 15 GB/t12618 5*15	2201000011000	18
19	2UT854	Back door welding	2209600006000	1
20	2UT824	Fence buckle	2202001004000	2
21	2UT825	Handle to connect ear	2208607029A00	2
22	2UT855	Flip handle for Utility Box	3304027951	1
23	2UT856	Handle Mount for Rear Cargo Box (utility box) for Capella Lifted 2H, 4H	2208100048000	3
24	2UT857	Torsion spring A for Rear Cargo Box (utility box) for Capella Lifted 2H, 4H	2201101023A10	1
25	2UT858	Torsion spring B for Rear Cargo Box (utility box) for Capella Lifted 2H	2201101024A10	1
26	2UT818	Catch chain	2103014450	2
27	2UT850-F	Rear cargo box floor	3301012794	1

# 10 Electric Parts



Item No.	STAR EV Part No.	Description	MPN	Qty
		Electric parts	2900900525000	
		Battery installation assembly	2904200041000	1
1		Battery unit and mounting accessories	2905466080000	1
1-1		Battery	2100101377000	1
1-1-1		Dt896e	2100101050000	6
1-1-2		Outsourced battery	2100101017000	6
1-1-3		Outsourced battery	2100101018000	6
1-2	2BT402	Battery terminal cover - black	2301902002000	12
1-3	2BT404	Battery terminal cover - red	2301902001000	12
1-4		Battery mounting accessories	2904200065000	1
4-1	2BT045	Battery tie down rod (fixing screw)	2200200002B00	2
4-2	3HD832	Hex nuts GB/6170 m8,8	2200400012000	6
4-3	2BT036	Battery impact block- small	2207300286B10	2
4-4	3HD848	M8 Flat Washer GB/t97.2 8	2200700023000	6

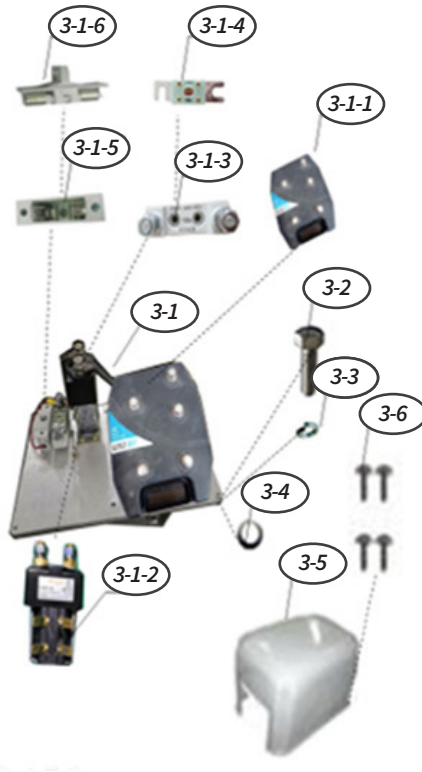
4-5	3HD819	M8 Spring Washer GB/t93,8	2200701011000	2
4-6		8V Battery Holder	2203900049A20	1
4-7	3HD091	M8 x 25 Bolt, Hex Head	2200100029000	2
4-8	3HD814	M8 Flat Washers GB/t97.2,8,A200	2200700021000	2
4-9	3HD816	M8 A2-70 SS Lock Nut	2200401003000	2

# 11 Battery, Controller and Motor Harness



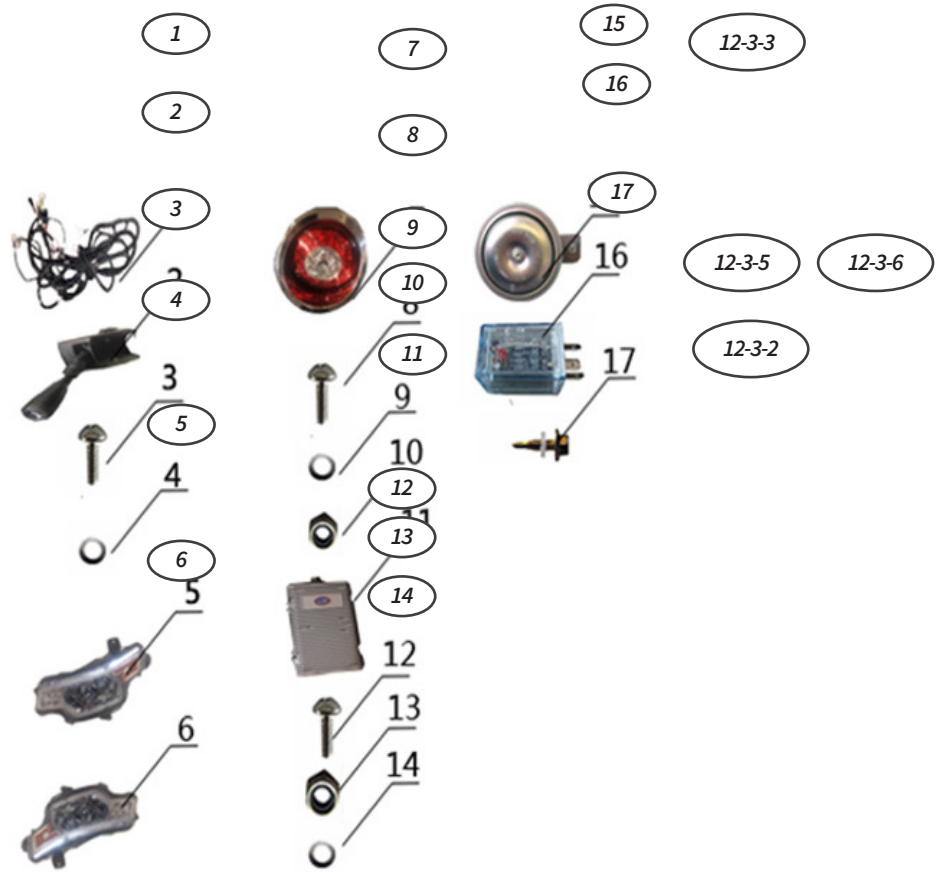
Item No.	STAR EV Part No.	Description	MPN	Qty
1		DT896e	2100101050000	6
2	2BT402	Battery Terminal Cover - Black	2301902002000	6
3	2BT404	Battery Terminal Cover - Red	2301902001000	6
4	2MO701	AC 32V 4KW Motor, Aqht4-4003b, 19 Spline	2101903035000	1
5	3HD808	M6 x 25 Hex Bolts Din933, M6*25	2200100257000	3
6	3HD847	M6 Spring Washer GB/T93,6	2200701010000	3
7	3HD614	M6 304SS Flat Washer	2200700088000	3
8		Controller Assembly 1232se-5321	2901500107000	1
9	3HD816	M8 A2-70 Ss Lock Nut	2200401003000	4
10	3HD814	M8 Flat Washers GB/T97.2,8,A200	2200700021000	4
11	2CN908	Cover 320*214*236*T2mm	2300800012B00	1
12	3HD888	M5 x 15 Cross Recessed Pan Head Screw GB 818-85 M5*15	1205211014000	4
13	2SW430	Gear Switch	2101400208000	1

14	2SW152	Buzzer Assembly	2902400002C00	1
15	2MT119	Battery Indicator, 906d48bnba0,	2102801003000	1
16	2SW291	Universal Ignition Switch With Keys	2101500048000	1
17	2SW146	Headlight Switch	2101400036000	1
18	2SW170	Hazard Alarm Switch	2101400035000	1
19	2RC080	AC 110V Charger Receptacle With Cord For On Board Chargers Only (2018-Yeeda)	2901702245000	1
20	3HD887	Cross recessed flat head screws GB/t973 m6*20 a2-70	2200305003000	4
21	3HD614	M6 304ss Flat Washer	2200700088000	4
22	2WS476	M6, a2-70 hexagon lock nut with non-metallic insert stainless steel	2200401001000	4
23		Battery cable	2100400036C00	1
24		Controller positive and negative power lines	2901701198A00	1
25	2BT154	Motor connection line	2901706137A10	1
26	2WH954	Power control circuit harness	2901705485020	1
27		Data line	2100400001B00	1
28		Charger	2101100011000	1
29		Charging plug	2100601019000	1
30		Charger input cable	2100401022000	1
31	2DC807	Instrument switch fixing plate	2207302001000	1
31-1		Cross recessed pan head tapping screws GB/t845 st2.9*16, A2-70	2200500198000	4



Item No.	STAR EV Part No.	Description	MPN	Qty
		Controller and installing accessories	2905467003000	
3		Controllers and installing accessories	2905467003000	
3-1	2CN700	Controller assembly	2901500107000	
3-1-1	2SO480	1232se-5321 / 48v 350A Controller	2101701024000	
3-1-2	2FU174	Main Contactor zjw200a/48v	2102300047A00	
3-1-3	2FU190	Fuse holder rqd - 148v800a	1131550107000	
3-1-4	2FU121	Chip insurance CNN-300a DC48V	1128100120000	
3-1-5	2FU150	Fuse holder RT14-20	2303400009000	
3-1-6	3HD858	Control fuse RT14-20/10a	2102601003000	
3-2		M8 x 16 hexagon headed bolt: GB/t5783 M8*16	2200100089000	
3-3	3HD848	Spring Washer GB/t93,8mm	1205002014000	
3-4	2CN916	M8 flat Washer GB/t97.2 8	2200700023000	
3-5	3HD888	Cover-320 x 214x 145mm for Controller	2304401700C10	
3-6		M5 x 15 cross recessed pan head screw GB818-85 m5*15	1205211014000	

# 13 Lighting Parts

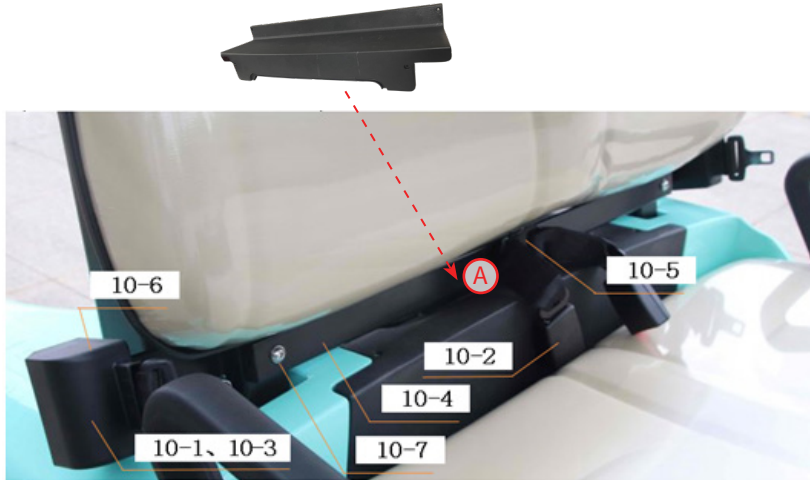


Item No.	STAR EV Part No.	Description	MPN	Qty
1	2WH978	Lighting harness	2901704135A00	1
2	2SW390	Combination switch	2101400026000	1
3		Cross recessed flat head screws GB/t973, M6*20, a2-70	2200305026000	2
4	3HD861	M6 washer GB/t97.1, M6 (12*6.4*1.6), A200	2500600017000	2
5	2LT746	Headlight-Passenger Side Assembly	2100700259010	1
6	2LT745	Headlight-Driver Side Assembly	2100700258010	1
7	2LT760	Taillight Assembly Driver and Passenger	2100700217000	2
8		Cross recessed pan head screws GB/t823 m4*20	2200304006000	4
9		Flat Washers GB/t96,4,	2200700006000	4
10		Non-metallic insert hex lock nuts GB/t889.1 M4 a2-70	2200401014000	4
11	2CV155	DC Converter	2101800038000	1
12	3HD888	M5x15 cross recessed pan head screw GB818-85 M5*15	1205211014000	4
13	3HD890	M5 Hexagon Lock nut with non-metallic insert GB/t889.1 M5 a2-70	2200401002000	4
14	3HD852	M5 Flat Washer, GB/t97.1 5	2200700010000	4
15	2SW210	Electric horn	2101600001000	1



16	2RL060	Flasher	2101603003000	1
17	3HD895	M5*20 external hexagon rear end self drilling screw	2200307005000	1

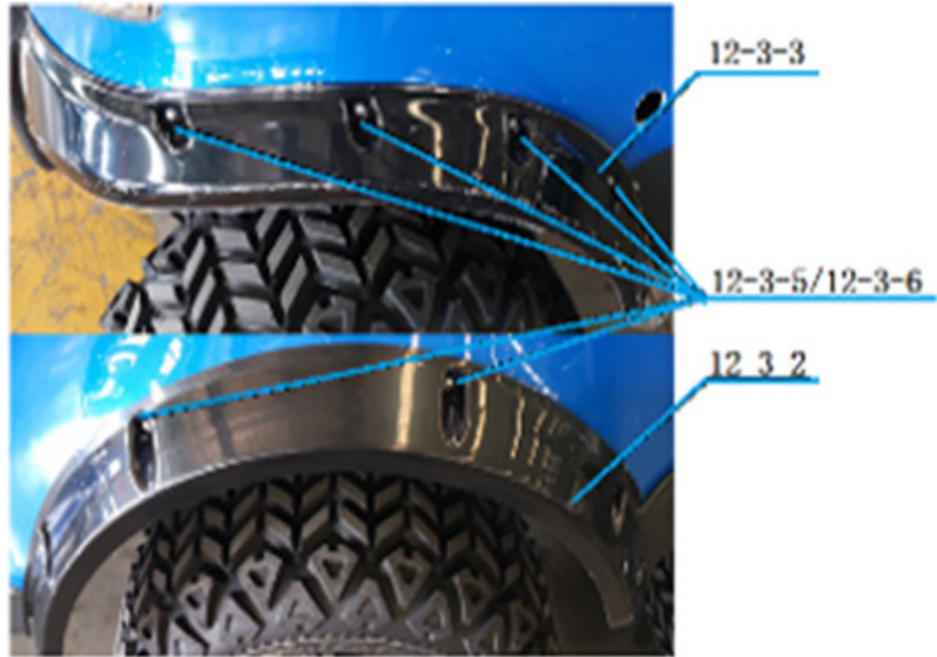
## 14 Seat Belts



Item No.	STAR EV Part No.	Description	MPN	Qty
10-1	2SB101	Male- Seatbelt ONLY - Front, Pod or FLIP for 2+2 and 4+2	2501304030000	2
10-2	2SB102	Female - Seatbelt Only for Capella - Front or POD for 2+2 and 4+2	2202001065000	2
10-3	2SB109	Seat belt retainer plate for 2+2 and 4+2	2203014582000	2
10-4	2SB100	BAR - Seatbelt bar for Capella (over batteries) for 2, 2+2 and 4+2	2208400552A00	1
10-5	3HD801	M8 x 35 A2-70 SS Hex bolt for 2+2 and 4+2	2200301020000	1
10-6	3HD093	Hexagon socket flat round head screw GB/T70.2 M8* 25 A2-70 for 2+2 and 4+2	2200301023000	2
10-7	3HD095	Hexagon socket flat round head screw / GB/T70.2 M8*70 for 2+2 and 4+2	2200301007000	2
A	2BY998	Acess Panel for Rear Body Capella	2300400325000	1
10-8	3HD814	M8 A200 SS Flat Washer for 2+2 and 4+2	2200700021000	10
10-9	3HD818	M8 Spring Washer for 2+2 and 4+2	2200701012000	5
10-10	3HD816	M8 A2-70 SS Lock Nut for 2+2 and 4+2	2200401003000	5
11-1	2SB101	Sirius two-point seat belt (without female buckle)	2501304030000	2
11-2	2SB102	Seat belt female buckle	2202001065000	2
11-3	2SB109	Seat belt fixing plate	2203014582000	2
11-4	2SB100	Seat belt installation tube	2208400552A00	1
11-5		Hexagon socket head screws GB/t70.2 M8*35 a2-70	2200301020000	1
11-6	3HD093	M8 x 25 Hexagon socket flat round head screw M8* 25 a2-70	2200301023000	2
11-7	3HD095	M8 x 70 Hexagon socket flat round head screw GB/t70.2 M8*70	2200301007000	2

11-8	3HD814	M8 Flat Washer GB/t97.2,8,A200	2200700021000	10
11-9	3HD818	M8 Spring Washer GB/t93,8	2200701012000	5
11-10	3HD816	M8 A2-70 SS lock nut	2200401003000	5

## 15 Fender Flares and Install Assembly



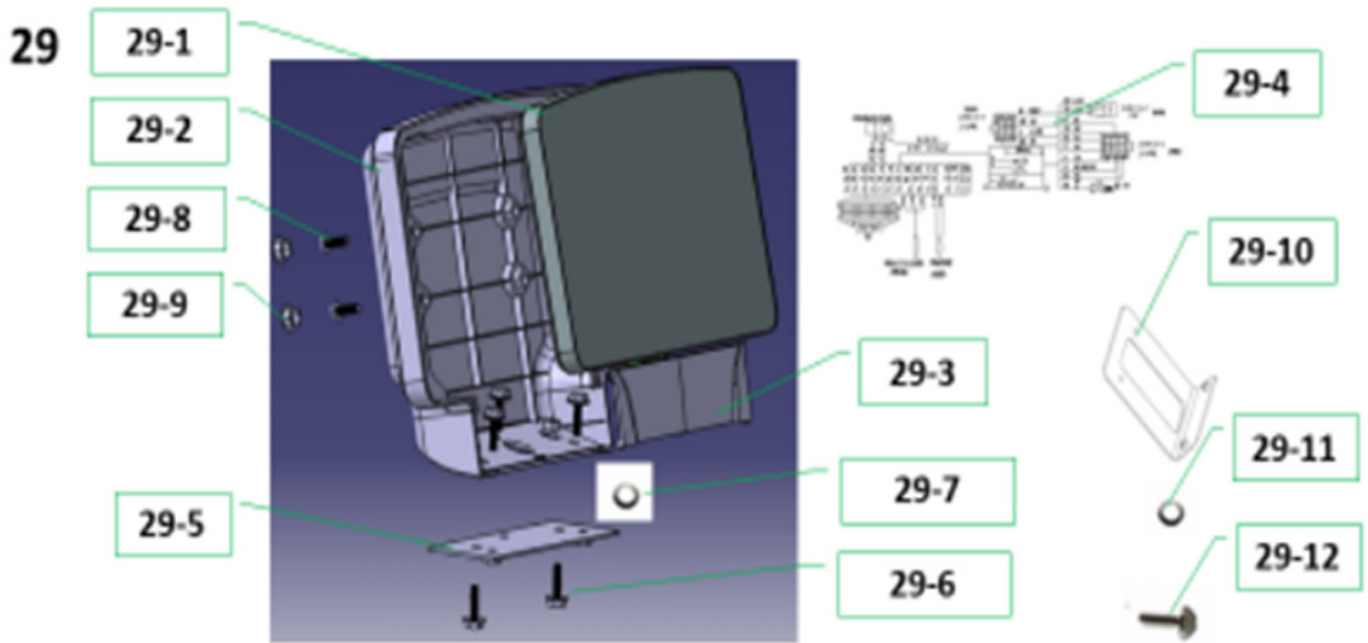
Item No.	STAR EV Part No.	Description	MPN	Qty
12-3-1	2FN805	Fender flare rear driver side	2302900006A00	1
12-3-2	2FN806	Fender flare rear passenger side	2302900007A00	1
12-3-3	2FN850	Fender flare front driver side	2302900008A00	1
12-3-4	2FN851	Fender flare front passenger side	2302900009A00	1
12-3-5		Cross recessed pan head tapping screws GB/t845 st4.8*25, A2-70	2200500233000	24
12-3-6		Flat washer GB/t97.1, M5(10*5.3*1)	2500600016000	24

## 16 Tire and Install Assembly



Item No.	STAR EV Part No.	Description	MPN	Qty
1	2CC130	Dust cover	2209000002000	4
2	2TR516	Tire AT22*10-10, 4PTL	2301400010000	4
3		Rim optional components	2905476001000	1
3-1	2RM908	Rim 10*8	2205100099000	4
3-2	2RM918	10*7, 4-101.6-70-14.5 Et-25	2200016661000	4
4		Valve	2205900005000	4
5	2LN015	Wheel nuts	2200406043000	16

## 17 10" Digital Assembly



Item No.	STAR EV Part No.	Description	MPN	Qty
29	N/A	Capella 10" Display assembly DG-C2-8G,10	2103014663	1
29-1	2MT297	Capella 10 " Display 48v CAN	3207015501	1
29-2	2MT299	Display cover body DG.C2.8G-17000010,S7, ABS	3401010386	1
29-3	2MT300	Display cover DG.C2.8G - 17000011,S7, ABS	3401010387	1
29-4	2MT301	Connecting cable DG.C2.8G - 14000010, S1	3205026662	1
29-5	2MT302	Display mounting plate DG.C2.8G-17000012, S1, GB/T708 2.0T	3304017748	1
29-6	2HD295	Coarse teeth full thread hexagon head bolt GB/T5783-M6×15	2200102246000	5
29-7	2HD296	Large washer GB/T 96.1-6,A2	2200700017000	5
29-8	2HD297	Cross recess pan head screw GB/T 818-M5×20, A2-70, 300	2200304199000	4
29-9	2MT303	Rubber mat MC12-4.0001-0700, A0, φ10*2mm, ROHS	1304202011A00	4
29-10	2MT304	Display support plate DG.C2.8G-10000110, S0, Q2353mm	3301022504	1
29-11	2HD298	Hex socket flat round head screw GB/T70.2-M6×16,8.8	2200301177000	4
29-12	2HD299	Flat Washer GB/T97.1-6	2200700104000	4