

 Search with Ctrl-F (PC) or Command-F (Mac) to quickly find what you're looking for.

CAPELLA[®]

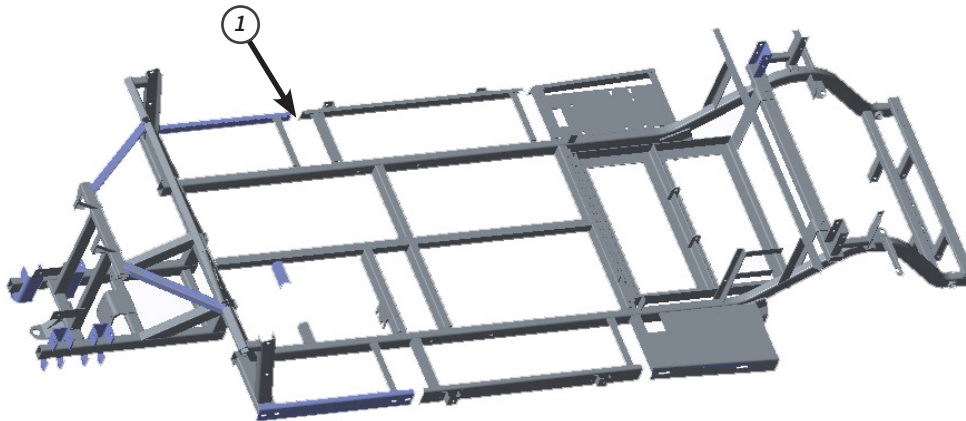
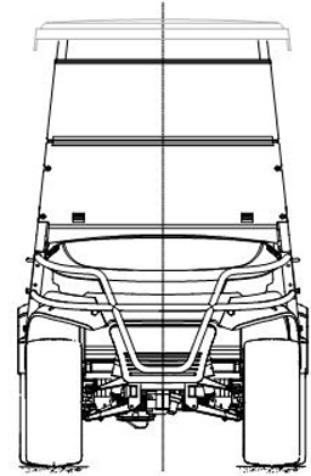
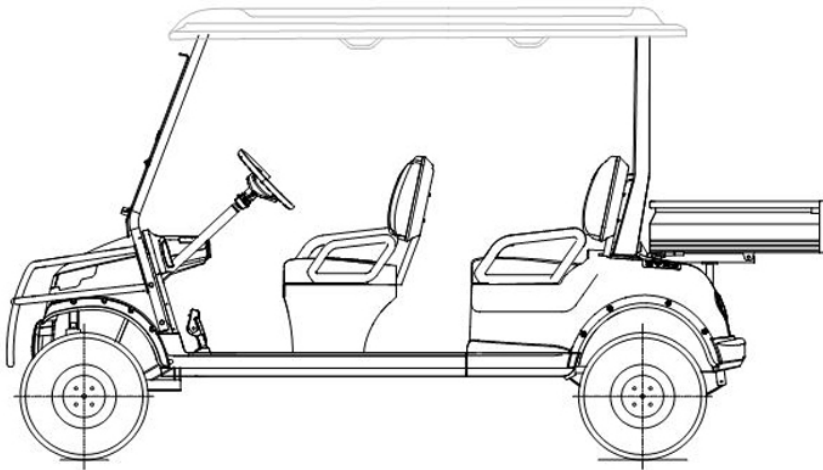
4H LIFTED UTILITY



Contents

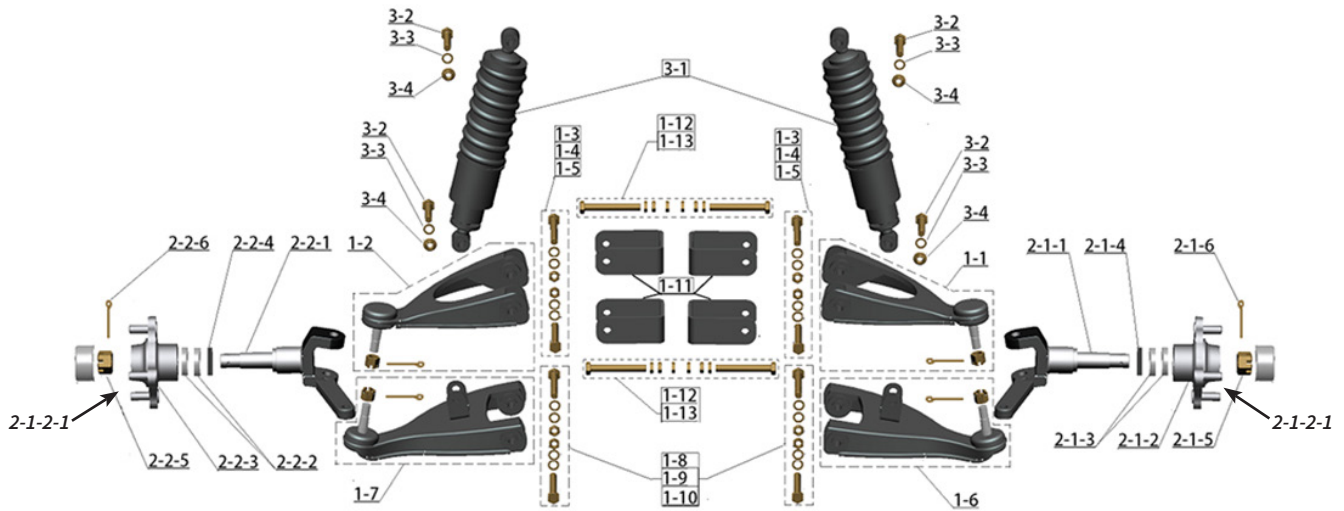
1	Chassis	3
2	Front Suspension	4-5
3	Rear Suspension	6
4	Steering System	7
5	Brake System	8
6	Body Parts	9
7	Front Guard Assembly	10
8	Middle Seat Assembly	11-12
9	Rear Seat Assembly	13
10	Roof Assembly	14-15
11	Roof Support and Windshield Assembly	16
12	Body Side Guardrail Assembly	17
13	Front Body Assembly	18-19
14	Rear Body Parts	20-21
15	Front Bumper / Rear Cargo Box Part	22
16	Mudguard and Mounting Assembly	23
17	Fender Flare and Mounting Accessories	24
18	Tire and Installation Assembly	25
19	Battery Mounting Assembly	26
20	Battery and Controller Motor Harness	27-28
21	Controller and Installing Accessories	29
22	Lighting Parts	30
23	10" Digital Assembly	31

1 Chassis



Item No.	STAR EV Part No.	Description	MPN	Qty
1		Chassis DH.C4.8-10000000	2207400290020	1

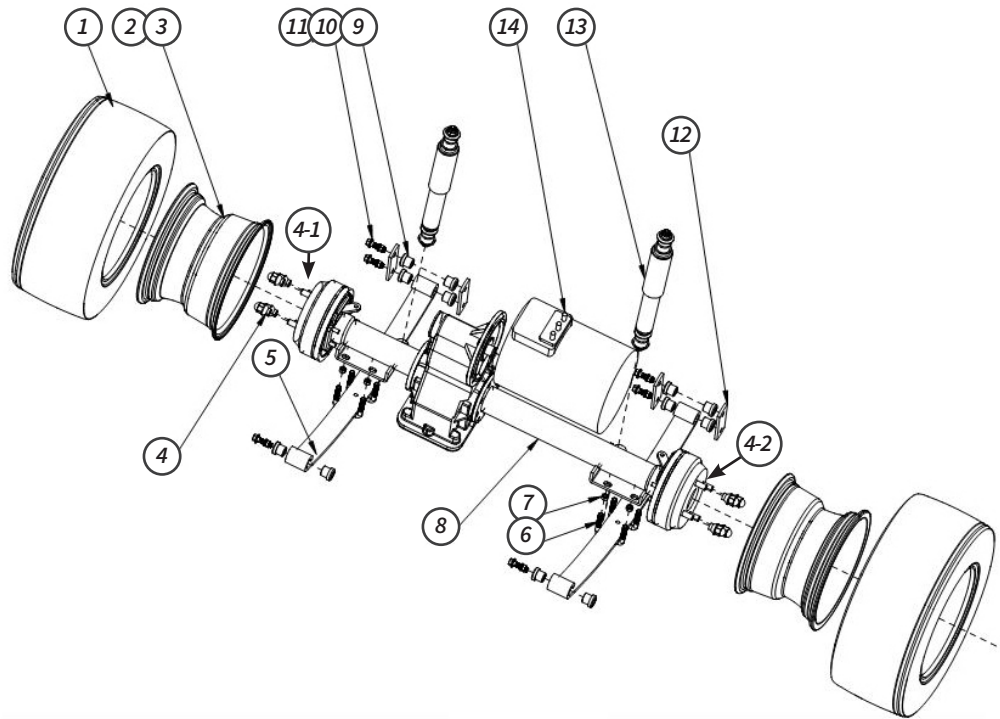
2 Front Suspension



Item No.	STAR EV Part No.	Description	MPN	Qty
1		Swing Arm And Installation Accessories Dg-C2-8	2905401003000	1
1-1	2SC710	Upper Control Arm (Passenger Side) Dh.c2.8-03020011, A3, 190	3102012033	1
1-2	2SC810	Upper Control Arm (Driver Side) Dh.c2.8-03020021 A3, 190	2204700133030	1
	2SC711	Upper Control Arm (Passenger Side)	3102012032	1
1-3		Outer Hexagon Bolt Gb/T5782, M10*90	2200102202000	4
1-4		Flat Washer Gb/T97.1 ,M10(20*10.5*2)	2500600013000	8
1-5		All Metal Insert Lock Nut Gb/T6184, M10	2200450004000	4
1-6	2SC713	Lower Control Arm (Passenger Side) Dg.c2.8-03020010, A7, 217	3102013870	1
1-7	2SC712	Lower Control Arm (Driver Side) Dg.c2.8-03020020 A7, 217	3102013874	1
1-8		Outer Hexagon Bolt Gb/T5782, M10*80	2200102102000	4
1-9		Flat Washer Gb/T97.1, M10 (20*10.5*2)	2500600013000	8
1-10		All Metal Insert Lock Nut Gb/T6184, M10	2200450004000	4
1-11	2SC830	Camber Adjustment Bending Dg.c2.8-03040010, A/2	2207301154020	4
1-12		Outer Hexagon Bolt Gb/T5783, M10*70	2200102257000	4
1-13		Hexagon Nut Gb/T6170, M10	2200400146000	12
2		Spindle Assembly And Installation Accessories Dg-C2-8	2201802014000	1
2-1		Spindle Assembly Passenger Side Dg.c2.8-03030010, A/0), 101.6mm	2207203307000	1
2-1-1	2SP756	Spindle (Passenger Side) Dg.c2.8-03030011	2205400033A00	1
2-1-2	2HU700	Hub Dg.c2.8-03030030	2205100155A10	1
2-1-2-1	2LN052	Front Silver Stud for HUB for Capella	2200103136000	4
2-1-3	2BE001	Tapered Roller Bearings 44643 Hub Bearing	2201200019000	2

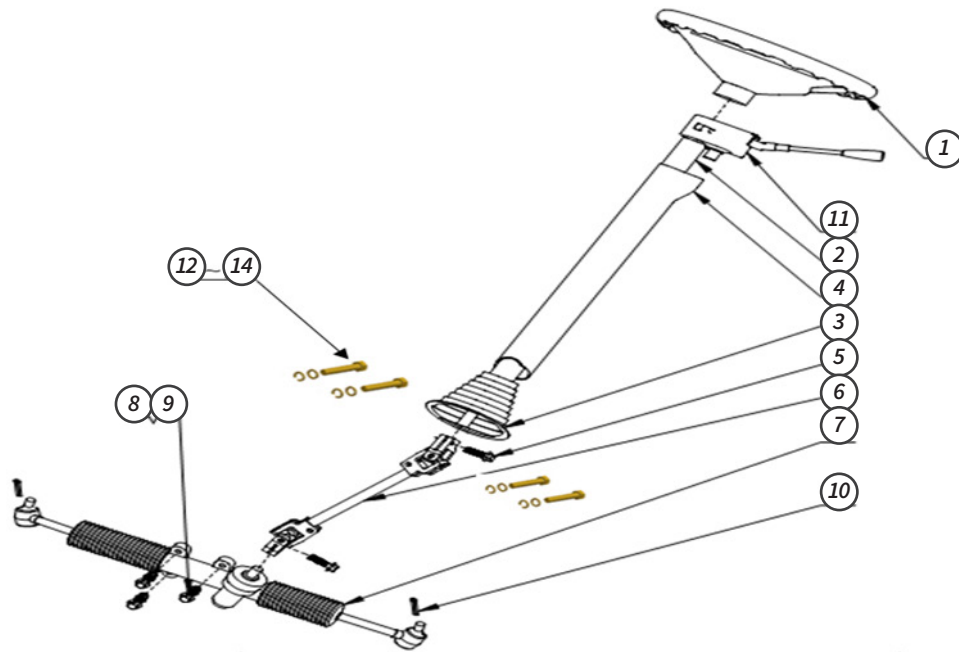
2-1-4	2OL702	Φ52*Φ30*10mm Oil Seal	2301300002000	1
2-1-5	2SP901	M24 x 1.5 Slotted Castle Nut For Spindle	2200403009000	1
2-1-6	2HD201	Clevis Pin 4 x 35	2200900011000	1
2-2		Spindle Assembly Driver Side Dg.c2.8-03030020	2207203308000	1
2-2-1	2SP755	Spindle (Driver Side) Dg.c2.8-03030021	2205400032A00	1
2-2-2	2HU700	Hub Dg.c2.8-03030030	2205100155A10	1
2-1-2-1	2LN052	Front Silver Stud for HUB for Capella	2200103136000	4
2-2-3	2BE001	Tapered Roller Bearings 44643 Hub Bearing	2201200019000	2
2-2-4	2OL702	Φ52*Φ30*10mm Oil Seal	2301300002000	1
2-2-5	2SP901	M24 x 1.5 Slotted Castle Nut For Spindle	2200403009000	1
2-2-6	2HD201	Clevis Pin 4 x 35	2200900011000	1
3		Shock Absorbers And Mounting Accessories Dh-C2-8	2905403019000	2
3-1	2SC755	Front Shock Absorber Assembly Dh.c2.8-07110000, (A/1) Φ12	2205300064000	2
3-2		Hex Bolts Gb/T5783, M10*50	2200102099000	4
3-3		Flat Washer Gb/T97.1 ,M10 (20*10.5*2)	2500600013000	8
3-4		M10 Spring Washer Gb/T93,10.2,	2200701087000	4

3 Rear Suspension



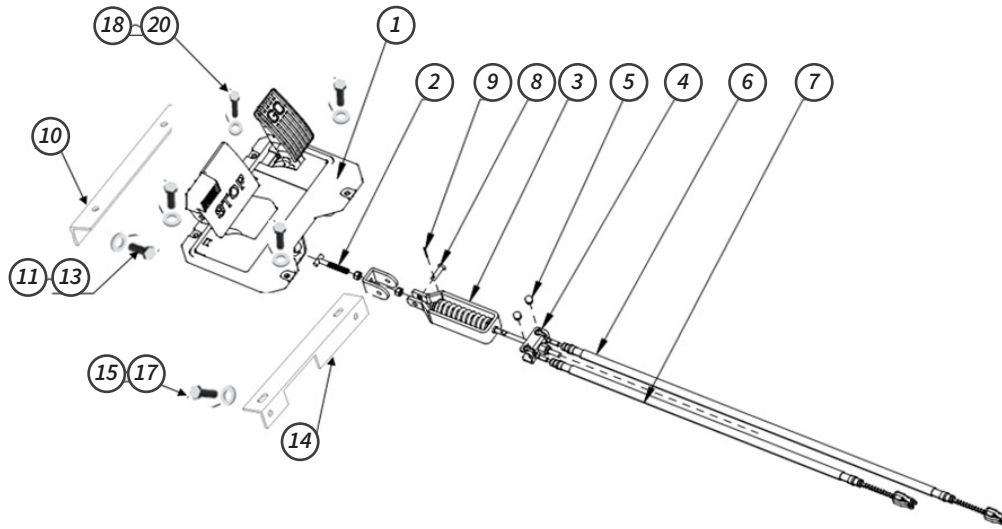
Item No.	STAR EV Part No.	Description	MPN	Qty
1	2TR516	Tire only - AT22*10-10, 4PTL	2301400010000	2
2	2RM908	Default STEEL Rim 10 x 8	2205100099000	2
3		Valve	2205900005000	2
4	2LN015	Lugnut	2200406043000	8
4-1	2LN053	Rear Axle Stud (Gold) 8SD906105 for Capella	2200600022000	8
4-2	2LN055	Rear Axle Stud for Capella M12*1.25 (HUB BOLT)	2200103139000	8
5	2LF012	Rear leaf spring assembly (baked black paint) DH.C4.8-16020000, 0Si2Mn	2204010062A00	2
6	2LF007	U-bolt (M10 60*52*40)	2200104004C00	4
7	3HD142	All Metal Hex Flange Face Lock Nuts GB/T6187.1, M10*1.5	2200404004000	8
8	2RE800	Rear End with manual brakes DG.C2-08050000(A0)	2204400003001	1
9	2BS750	Steel plate rubber sleeve $\phi 28^* \phi 22^* \phi 14^* 22$	2301900004C00	12
10		Rib Bolts M13 x 89 (use 70mm) Bolt, 40Cr/45 steel, Zinc plated	2200103003C00	6
11		All Metal Hex Flange Face Lock Nuts GB/T6187.1, M10*1.5	2200404004000	6
12	2LF021	Connecting plate DH.C2.8-08000002, Q235	2207301263000	4
13	2SK850	Rear shock Lmax, 520 Lmin, 340	2205300031000	2
14	2MO701	AC 32V4KW motor AQHT4-4003B	2101903035000	1

4 Steering System



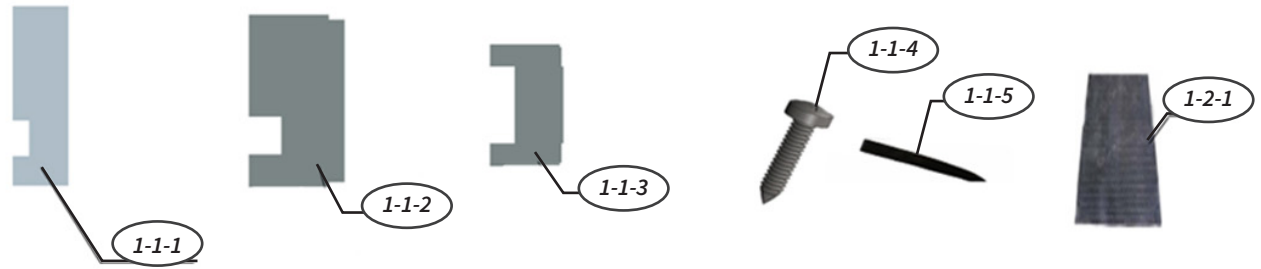
Item No.	STAR EV Part No.	Description	MPN	Qty
1	2SL035	Steering Wheel Assembly Dg.c2-010500 M=0.423,Z=40	2207700001C00	1
2	2ST157	Steering Column Assembly Dg.c2-010100,Φ38	2205600001C00	1
3	2ST041	Rubber Boot Dg-C2	2301900031000	1
4	2ST158	45*6.5*3.5cm	2301900032000	1
5		Hexagon Head Bolts Gb/T5783 M8*25	2200100076000	2
6	2ST285	Lower Steering Shaft - (Universal Joint) Dh.c2.6-02000010, M8*25 2pcs	2206000033A00	1
7	2ST515	Steering Rack With Ball Studs Dg.c2.8-02000030, 180mm	2207800034A20	1
8		Hex Bolts Gb/T5783, M10*55	2200102201000	3
9		All Metal Hex Flange Face Lock Nuts Gb/T6187.1,M10*1.5	2200404060000	3
10	2HD212	Cotter Pin 3 x 40	2200900010000	2
11	2SW390	Combination Switch	2101400026000	1
11-1		Cross Recessed Flat Head Screws Gb/T973 M6*20 A2-70	2200305003000	2
11-2		M6 Flat Washers Gb/T97.1 6 304	2200700088000	2
12		Hex Bolts Gb/T5783, M10*40	2200102098000	4
13		Flat Washer Gb/T97.1, M10 (20*10.5*2)	2500600013000	8
14		All Metal Insert Lock Nut Gb/T6184, M10	2200450004000	4

5 Brake System



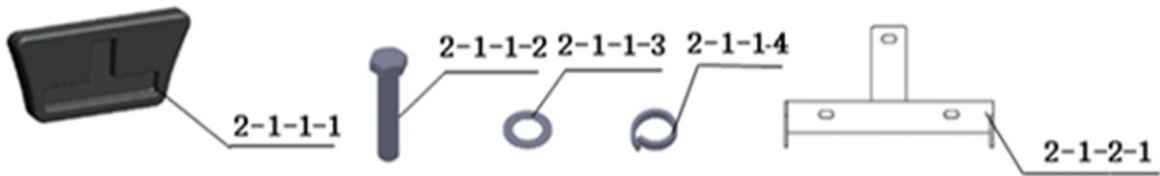
Item No.	STAR EV Part No.	Description	MPN	Qty
1	2PD700	Brake pedal assembly dg.C2.8-05020030 (A/5 0-4.65v)	2206200273000	1
2	2PB701	Pull rod for parking brake dg.C2.8-05020020	2204800079A00	1
3	2PB700	Compensator	2206100126000	1
4	2BM700	Balance piece dg.C2-150005,57*30.5*24mm	2208605001C00	1
5	2BM705	Rubber stopper dg.C2-150012,φ12*φ11*φ10*14.2 3mm	2301906013C00	2
6	2CB821	Brake cable passenger side (long) 1920*1780 70±2,dg-c4	2206900015000	1
7	2CB820	Brake cable- driver side (short) 1680*1540 70±2, dg-c4	2206900016000	1
8	2HD200	Clevis pin 8 x 20	2200902002000	2
9	2HD213	Cotter pin 2.5 X 16	2200900005000	2
10	2PD810	Brake pedal mounting plate front dh.C2.8-10040040 A/1 30*30*3	2207301987010	1
11		Hex bolts gb/t5783, m8*45	2200102199000	2
12		M8 flat washer :gb/t97.1,M8 (16*8.4*1.6)	2500600012000	4
13		All metal insert lock nut gb/t6184, m8	2200450003000	2
14	2PD814	Brake pedal mounting plate	2207301986000	1
15		Hexagon head bolts gb/t5783, m8*20	2200102128000	2
16		M8 flat washer :gb/t97.1,M8 (16*8.4*1.6)	2500600012000	4
17		All metal insert lock nut gb/t6184, m8	2200450003000	2
18		Hexagon socket head screws gb/t70.2, M8*25	2200413062000	4
19		M8 flat washer: gb/t97.1,M8 (16*8.4*1.6)	2500600012000	4
20		All metal insert lock nut gb/t6184, m8	2200450003000	4

6 Body Parts



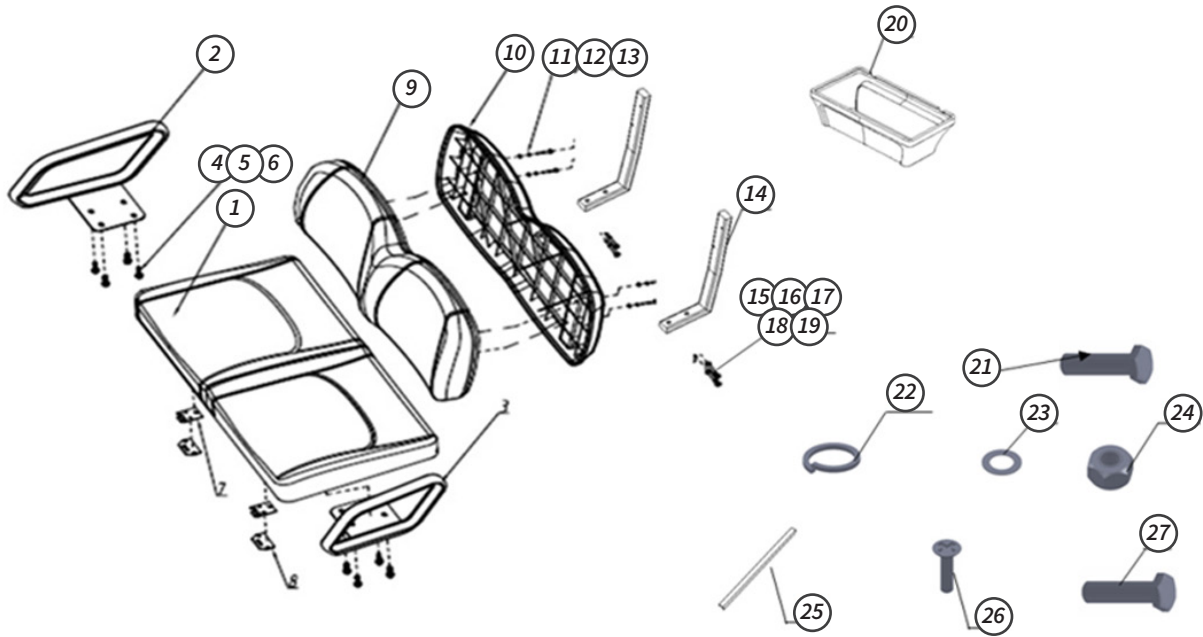
Item No.	STAR EV Part No.	Description	MPN	Qty
1-1-1	2BD801	Front Iron Floor (FIREWALL) 360*980 DG.C2.8-11000012 Q235A/t2	2207301172A20	1
1-1-2	2BD807	Bottom plate 1, DG.C4.8-11000011 Q235A/t2	2207301287010	1
1-1-3	2BD808	Bottom plate 2 DG.C4.8-11010011, A/4, Q235A/t2	2207301316A40	1
1-1-4		M2 x 25 Cross recessed countersunk head self drilling self tapping screw GB/T15856.2 ST4.2 x 25	2200300068000	28
1-1-5	2BD715	EVA die cut flat strip 25mm*3.0mm, 3M	2302605041000	10
1-2		Rubber Floor Components DG-C2-8	2905457002000	1
1-2-1	2FM279	Floormat 1140mm	2302600108000	1.2
1-2-2		Plastic nail $\phi 20 \times 1.5 \phi 10$, L=22mm	2301700004000	10

7 Front Guardrail Assembly



Item No.	STAR EV Part No.	Description	MPN	Qty
2-1		Front bumper and mounting accessories DG-C2-8	2905454008000	1
2-1-1		Front bumper (blow molding) and installation accessories DG-C2-8	2905454005000	1
2-1-1-1	2BU800	Front bumper DG.C2.8-05000001	2206400035A10	1
2-1-1-2		Hex bolts GB/T5783, M8*20	2200102128000	3
2-1-1-3		Flat washer GB/T97.1, M8 (16*8.4*1.6)	2500600012000	3
2-1-1-4		M8 Spring washer GB/T93,8.1,	2200701086000	3
2-1-2		Front bumper adjustment kit DH.C2+2.8K	2902703575000	1
2-1-2-1	2BU801	MOUNTING BRACKET for front bumper DG.C2.8L-05010010 (A/2)	2208100250A20	1
2-1-2-2		Hex bolts GB/T5783, M10*30	2200102097000	2
2-1-2-3		M10 Spring washer GB/T93,10.2	2200701087000	2
2-1-2-4		Flat washer GB/T97.1 ,M10(20*10.5*2)	2500600013000	2

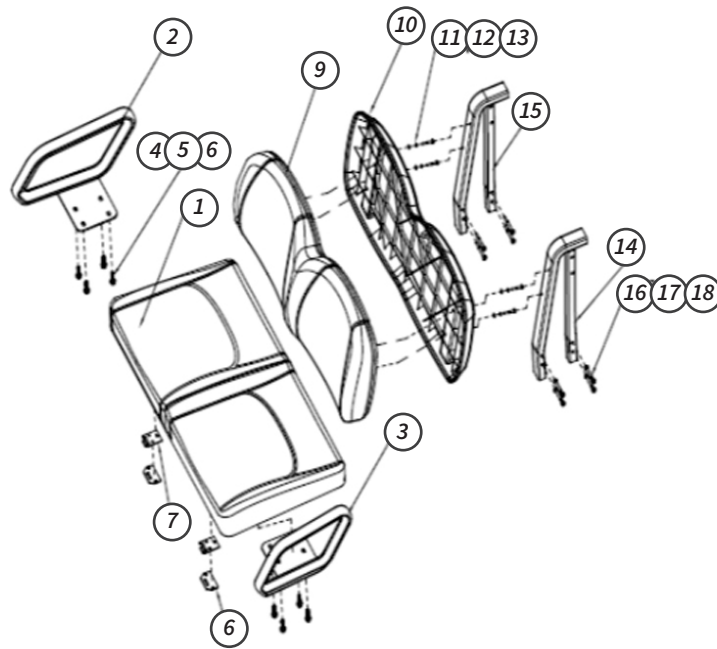
8 Middle Seat Assembly



Item No.	STAR EV Part No.	Description	MPN	Qty
1	2CS450	Beige Front seat cushion (POD) DG.LSV4.2-05000031 (A/1) 1050*440*110,	2501500254010	1
	2CS450-HK	*HK ONLY* Capella-POD Bottom Beige Cushion (2023 & LATER)	3108024549	1
2	2CS036	Passenger side Armrest (Large) DG.C2.8 - 05000033, PE/EVA	2202600149A00	1
3	2CS035	Driver side armrest DG.C2.8-05000034,PE/EVA	2202600150A00	1
4		Hexagon head bolts GB/T5783,M8*25, 8.8 300	2200100467000	8
5		Flat washer GB/T97.1, M8(16*8.4*1.6), 300	2500600012000	8
6		Spring washer GB/T93,8.1, 300	2200701086000	8
7	2PS145	Plastic BASE for the ball on the POD seat (female) 25mm	2200001301000	4
7-1		Cross recessed pan head tapping screws GB/T845 ST4.8*20, A2-70, 300	2200500173000	8
8	2PS140	Plastic ball only for seats (Male) 16mm, M8*46mm	2301700017000	4
8-1		M8 Hexagon lock nut with non-metallic insert GB/T889.1, M8, A2-70	2200401052000	4
9	2CS451	BEIGE Backrest Cushion DG.C2.8-05000035 (A2) 4*M6	2501500250010	1
	2CS451-HK	*HK ONLY* CAPELLA, Beige Backrest Cushion Front, pod & OEM Flip seat for CAPELLA, Open Workmachine, CAPELLA Lifted (2023 & LATER)	3407012635	1
10	2CS080	Backrest cover DG.C2.8-05000036	2501506024A00	1
11		Hexagon head bolts GB/T5783 M6*65 A2-70	2200100023000	4
12		Flat Washers GB/T97.2 6 A200	2200700015000	4
13		M6 spring washer GB/T93,6	2200701010000	4
14	2PS080	Backrest bracket DG.LSV4.2-05000010(A/2)	2207201802A00	2
15		Hexagon socket head screws GB/T 70.2, M8*70	2200301231000	4
16		Hexagon socket head screws	2200301198000	4

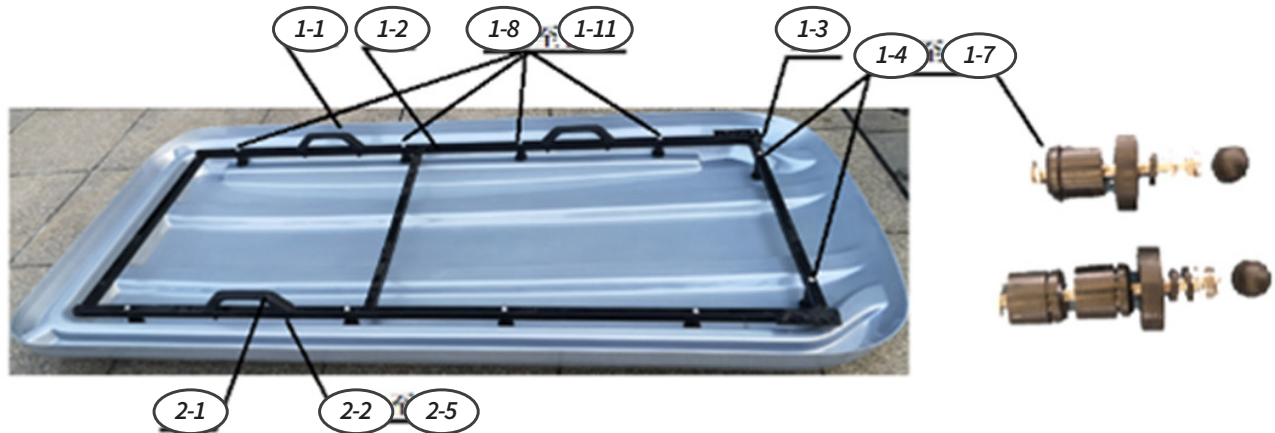
17		Flat Washers GB/T70.2, M8*45	2200700021000	4
18		M8 Spring Washer GB/T93,8,	2200701012000	4
19	2PS081	Backrest bracket rubber cover DH.C4.8-05000502	2301900182A00	2
20		Mid seat pod DG.LSV4.2-05000050 (A/1)	2400501231010	1
	2PS650	Pod - Pure White		
	2PS651	Pod - Coastal Blue		
	2PS652	Pod - Candy Apple RED		
	2PS653	Pod - Royal Blue		
	2PS654	Pod - Lime Green		
	2PS655	Pod - Black		
	2PS656	Pod - Forest Blue Mist		
	2PS657	Pod - Sunburst Orange		
	2PS658	Pod - Beige		
	2PS659	Pod - Yellow		
	2PS661	Pod - Metallic Silver		
21		Hexagon head bolts GB/T5783, M8*40	2200102130000	4
22		Flat Washers GB/T97.1, M8(16*8.4*1.6)	2500600012000	4
23		Spring washer GB/T93,8.1,	2200701086000	4
24		All metal insert lock nut GB/T6184, M8	2200450003000	4
25	2RP798	Rocker Panel / Side Rail, DG.C4.8-11000030	2208200195A00	2
26		Countersunk head Phillips screw GB/T819.1 M6*20 A2-70	2200302002000	5
27		Hexagon Head Bolts, GB/T5783 M8*55 A2-70	2200100013000	2

9 Rear Seat Assembly



Item No.	STAR EV Part No.	Description	MPN	Qty
		Body parts-Rear seats assembly	2900700044000	
1	2CS452	BEIGE- Bottom cushion for over batteries DG.C2.8-05000031(A/4) 1030*500*120	2501500246020	1
	2CS452-HK	*HK ONLY* Capella Beige - Bottom cushion for over batteries Capella, OPEN Workmachine, Capella Lifted (2023 & LATER)	3108024550	1
2	2CS036	Passenger side Armrest (large) DG.C2.8-05000033, PE/EVA	2202600149A00	1
3	2CS035	Driver side armrest DG.C2.8-05000034, PE/EVA	2202600150A00	1
4		Hexagon head bolts GB/T5783,M8*25	2200100467000	8
5		Flat Washers GB/T97.1,M8 (16*8.4*1.6)	2500600012000	8
6		Spring washer GB/T93,8.1	2200701086000	8
7	2HG040	Hinge 4"	2202200001000	2
8		Cross recessed countersunk head bolts GB819-85, M6*20, A2-70	2200107011000	12
9	2CS451	BEIGE Backrest cushion DG.C2.8-05000035(A2)	2501500250010	1
10	2CS080	Plastic Backrest cover DG.C2.8-05000036	2501506024A00	1
11		Hexagon head bolts, GB/T5783 M6*65 A2-70	2200100023000	4
12		Flat Washers GB/T97.2.6 A200	2200700015000	4
13		Spring washer GB/T93,6	2200701010000	4
14		Backrest bracket welded left (driver side) DH.C2.8-04020000	2207201378A00	1
15		Backrest bracket welded right (passenger side) DH.C2.8-04010000	2207201379A00	1
16		Hexagon head bolts GB/T5782 M8*70 8.8	2200100091000	8
17		GB/T97.2,8,A200	2200700021000	8
18		Spring Washer GB/T93,8 :316	2200701012000	8
19		All metal insert lock nut GB/T6184, M8	2200450003000	10

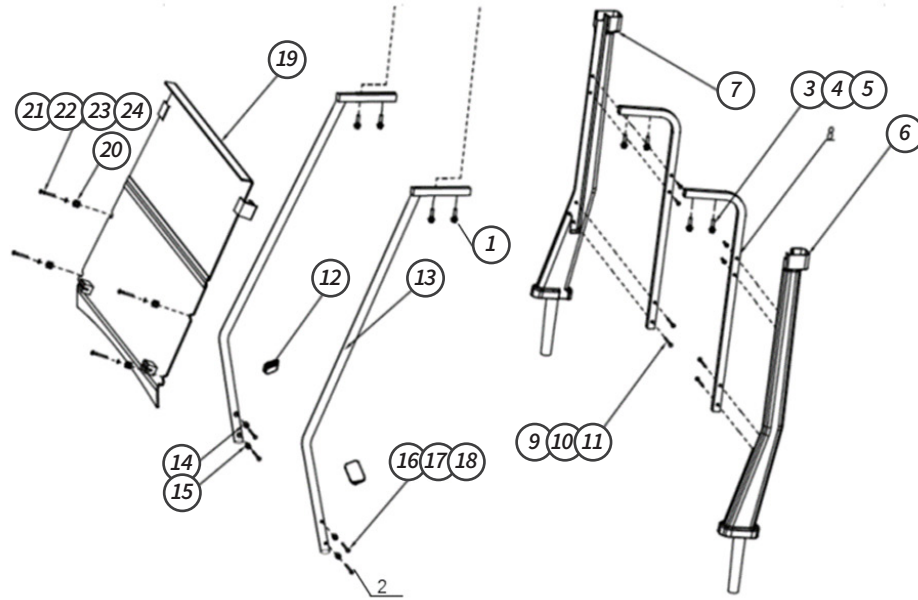
10 Roof Assembly



Item No.	STAR EV Part No.	Description	MPN	Qty
1-1	2RF740	Roof	2400502408000	1
	2RF741	Roof - Arctic White	2302502029000	
	2RF742	Roof - Black	2302502030000	
	2RF743	Roof - Candy Apple Red	2302502031000	
	2RF744	Roof - Forest Blue Mist	2302502027000	
	2RF745	Roof - Coastal Blue	2302502033000	
	2RF746	Roof - Sunburst Orange	2302502026000	
	2RF747	Roof - Royal Blue	2302502028000	
	2RF748	Roof - Beige	2302502034000	
	2RF749	Roof - Lime Green	2302502035000	
	2RF799	Roof - Yellow	2302502036000	
	2UB202	Roof - Metallic Silver		
1-2	2UB915	Roof U bracket DG.C4.8-05000060	2205001684010	1
1-3	2BS751	Tube end plug, 25*2, C085-1	2301906052000	4
1-4	2RF997	Rubber insert, $\phi 26 \times \phi 12 \times 28$, with $\phi 12 \times \phi 8 \times 26$ zinc plated steel bushing DG.C2-050023	2301903013C00	4
1-5		Rubber grommet , $\phi 40 \times \phi 11 \times 10$ mm	2301903028000	10
1-6		Hexagon socket head screws GB/T70.2 M8*110, A2-70	2200301188000	2
1-7		Non-Metallic Insert Hex Lock Nuts GB/T889.1 M8	2200401008000	10
1-8	2RF994	Flat Washers GB/T97.2,8,A200	2200700021000	20
1-9		Rubber washer / grommet $\phi 16 \times \phi 9 \times 3$ DG.C2-150011,	2301903001C00	10
1-10		Hexagonal cap M8	2301902005000	10
1-11		Flat head socket head cap screws GB/T70.2 M8*80 A2-70	2200301037000	8
1-12		Hexagon head bolts GB/T5783 M10*50 A2-70	2200100018000	4
1-13		Flat Washers GB/T97.2 10 A200	2200700028000	16
1-14		Non-Metallic Insert Hex Lock Nuts GB/T889.1,M10,8	2200401010000	8
1-15	2RF040	Hexagon head bolts GB/T5782 M10*70 A2-70	2200100110000	4

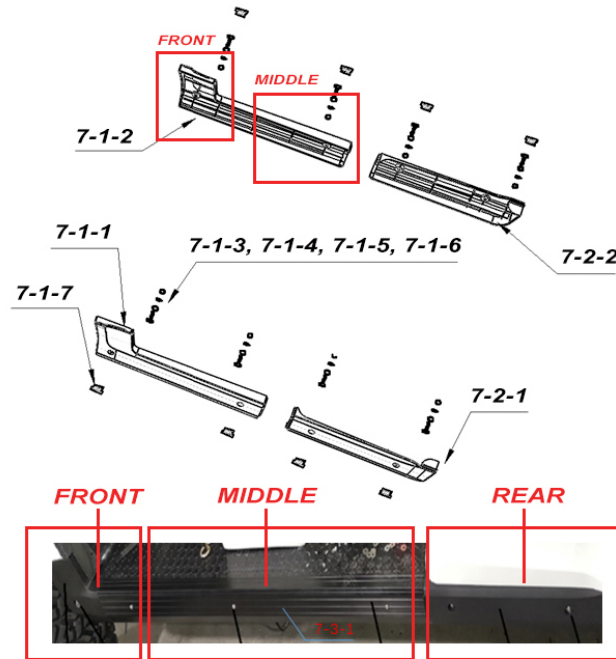
2	2RF941	Handle assembly	2902700109000	3
2-1		Handle only, DG-C4	2301200001000	1
2-2		Cross recessed pan head screws GB/T818, M6*40, A2-70	2200304213000	2
2-3		Non-Metallic Insert Hex Lock Nuts GB/T889.1, M6, A2-70	2200401054000	2
2-4		Flat washer GB/T97.1, M6 (12*6.4*1.6), A200	2500600017000	2
2-5		Hexagonal cap M6	2301902003000	2

11 Roof Support and Windshield Assembly



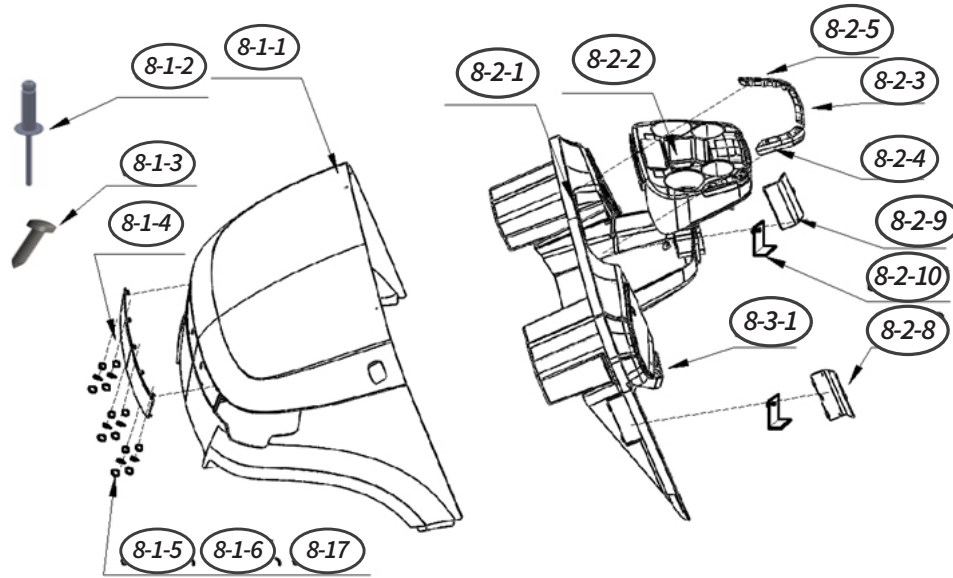
Item No.	STAR EV Part No.	Description	MPN	Qty
1		Hexagon socket head screws GB/T 70.2, M8*50	2200301229000	4
2		Hexagon head bolts GB/T5783, M12*100,8.8	2200100294000	2
3		Hex bolts GB/T5782, M8*70	2200100164000	4
4		spring washers GB/T93,10	2200701013000	8
5		Flat Washers GB/T97.1, 10	2200700085000	8
6	2BK202	Roof Drain Rear Driver Side, DG.C2.8-05000020	2208300071A00	1
7	2BK204	Roof Drain Rear Passenger Side, DG.C2.8-05000021	2208300072A00	1
8	2BK200	REAR Roof support Driver OR Passenger 25*25*2	2208300076000	2
9		Hexagon head bolts GB/T5783, M8*40	2200102130000	8
10		Flat Washers GB/T97.2,8,A200	2200700021000	8
11		Spring washer GB/T93,8 :316	2200701012000	8
12	2WS802	RUBBER PLUG for A-pillar, DH.C2.8-09011012, (A/0) PVC	2301906106000	1
13	2BC214	Front roof support	2208300069A00	2
14	2BC951	Spacer 1	2202100161A00	2
15	2BC952	Spacer 2	2202100191A00	2
16		Hexagon Head Bolts GB/T5783, M12*90, 8.8	2200100048000	2
17		Flat Washers GB/T97.2,8,A200	2200700021000	4
18		Spring Washer GB/T93,8 :316	2200701012000	4
19	2WS810	folding windshield DH.C2.8-05000007 t5	2400700235A00	1
20-24	2WS471	Assembled Mounting Hardware		4
20	2WS473	Bushing for windshield	2303900005C00	4
21	2WS474	Cushion DG.C2-050027, Φ20*Φ14*	2301903003000	4
22	2WS475	Cross recessed pan head screws GB/T818 M6*50 A2-70	2200304045000	4
23	2WS476	Flat Washers GB/T96, 6 A200	2200700017000	4
24		Non-Metallic Insert Hex Lock Nuts GB/T889.1 M6 A2-70	2200401001000	4

12 Body Side Guardrail Assembly



Item No.	STAR EV Part No.	Description	MPN	Qty
7-1	2RP795	Front side guardrail assembly	2905458066000	1
7-1-1	2RP785	Short front side rail driver side (REV 2) rounded corner DG.C4.8-18130011 (A/0)	2208200305A20	1
7-1-1	2RP796	Short front side rail driver side (REV 1) angeled corner	2208200305000	
7-1-2	2RP786	Short front side rail passenger side (REV 2) rounded corner DG.C4.8-18130012 (A/0)	2208200306A20	1
7-1-2		Short front side rail passenger side (REV 1) rounded corner	2208200306000	
7-1-3		Hexagon socket head screws GB/T70.2, M8*35 A2-70	2200301020000	4
7-1-4		Flat Washers GB/T97.2,8, A200	2200700021000	4
7-1-5		Spring Washer GB/T93,8, 316	2200701012000	4
7-1-6	2RP780	Hex nuts GB/T6170 M8	2200400010000	4
7-1-7		Rubber stopper DG.C2.8-05000090	2301906067000	4
7-2	2RP782	Rear side guardrail assembly DG-C2-8	2905458015000	1
7-2-1	2RP784	Rear side rail driver side DG.C2.8-05000019	2208200191A00	1
7-2-2		Rear side rail passenger side DG.C2.8-05000093	2208200192A00	1
7-2-3		Hexagon socket head screws GB/T70.2 M8*35 A2-70	2200301020000	4
7-2-4		Flat Washers GB/T97.2,8,A200	2200700021000	4
7-2-5		Spring Washer GB/T93,8, 316	2200701012000	4
7-2-6	2RP780	Hex Nuts GB/T6170 M8	2200400010000	4
7-2-7		Rubber stopper DG.C2.8-05000090	2301906067000	4
7-3	2RP787	Middle side guardrail assembly	2905458027000	1
7-3-1		Aluminum side rail DG.C4.8-05000031, (A/0)	2208200308000	2
7-3-2		Cross Recessed Flat Head Screws GB/T973 M6*20 A2-70	2200305003000	4

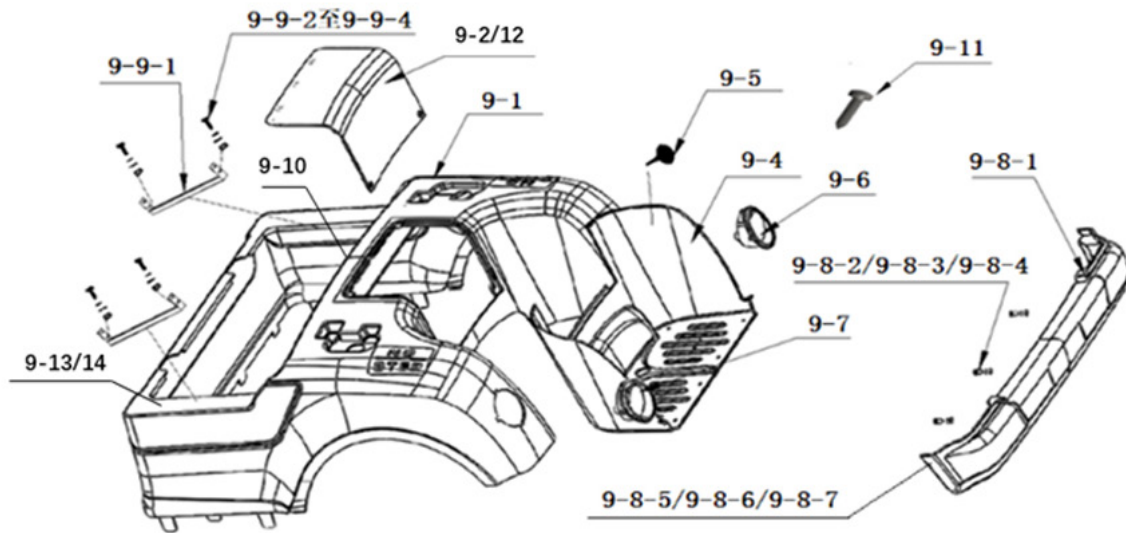
13 Front Boy Assembly



Item No.	STAR EV Part No.	Description	MPN	Qty
8-1		Front body and mounting accessories DG-C2-8	2905484002000	1
8-1-1	2BO660	Front body with painted DG.C2.8-05000002	2400200702000	1
8-1-1-1	2BO650	Front body Unpainted Front Body DG.C2.8-05000002	2302100109000	1
	2BO651	Front Body - Pure White		
	2BO652	Front Body - Coastal Blue		
	2BO653	Front Body - Candy Apple Red		
	2BO654	Front Body - Royal Blue		
	2BO655	Front Body - Lime Green		
	2BO656	Front Body - Black		
	2BO657	Front Body - Forest Blue Mist		
	2BO658	Front Body - Sunburst Orange		
	2BO659	Front Body - Beige		
	2BO661	Front Body - Yellow		
		Front Body - Metallic Silver		
8-1-2		Rivet 5 x 30	2200016998000	10
8-1-3	2BO699	Cross recessed pan head tapping screws GB/T845,ST2.9*14mm	2200500093000	10
8-1-4		Front grill DG.C2.8-05000003 ABS	2305201001000	1
8-1-4-1		Front grill DG.C2.8-05000003 ABS	2305201002A10	1
8-1-5		Hex Nuts GB/T6170 M5	2200400015000	6
8-1-6		Flat Washers GB/T97.1 5	2200700010000	6
8-1-7		Spring Pad GB/T93 5	1205002006000	6
8-2	2DB041	Dashboard Parts DG-C2-8	2905442005000	1
8-2-1	2CP800	Dashboard DG.C2.8-05000010	2301600024A10	1
8-2-2	2CP801	Cupholder on dashboard DG.C2.8-05000011	2305101001000	1
8-2-3		Middle- Decorative TRIM for Cupholder DG.C2.8-05000081	2300400462A00	1
8-2-3-1	2CP802	Middle decorative panel DG.C2.8-05000081	2300400466A00	1

8-2-4		Driver Side - Decorative TRIM for Cupholder DG.C2.8-05000082	2300400463A00	1
8-2-4-1	2CP803	Driver side trim panel DG.C2.8-05000082	2300400467A00	1
8-2-5		Passenger Side- Decorative TRIM for Cupholder DG.C2.8-05000083	2300400464A00	1
8-2-5-1		Passenger side trim panel DG.C2.8-05000083	2300400468A00	1
8-2-6		Cross recessed pan head tapping screws GB / T845,ST2.2*8mm	2200500078000	6
8-2-7	2DB718	Cross recessed pan head tapping screws GB / T845,ST2.9*14mm	2200500093000	2
8-2-8	2DB719	Access panel for Driver side roof support bracket DG.C2.8-05000016	2207301155A00	1
8-2-9	2DB721	Access panel for Passenger side roof support bracket DG.C2.8-05000017	2207301156A00	1
8-2-10		Mounting plate for roof support bracket DG.C2.8-05000513,2mm-Q235	2207300249A00	2
8-2-11		Baffle mounting plate DG.C2.8-05000513,2mm-Q235	2207300250A00	1
8-2-12	2HD117	Round head Phillips screw PWM M4*18mm	1205209095A00	2
8-2-13		Open oval head blind rivets GB/T12618 5*15	2201000011000	18
8-3	2DB717	Stadium car ball grid installation accessories DG-C2-8	2903200577000	1
8-3-1		Ball Holder DG.C2.8-05000015	2300400219000	2
8-3-2		Cross recessed pan head tapping screws GB T845,ST2.9*14mm	2200500093000	6

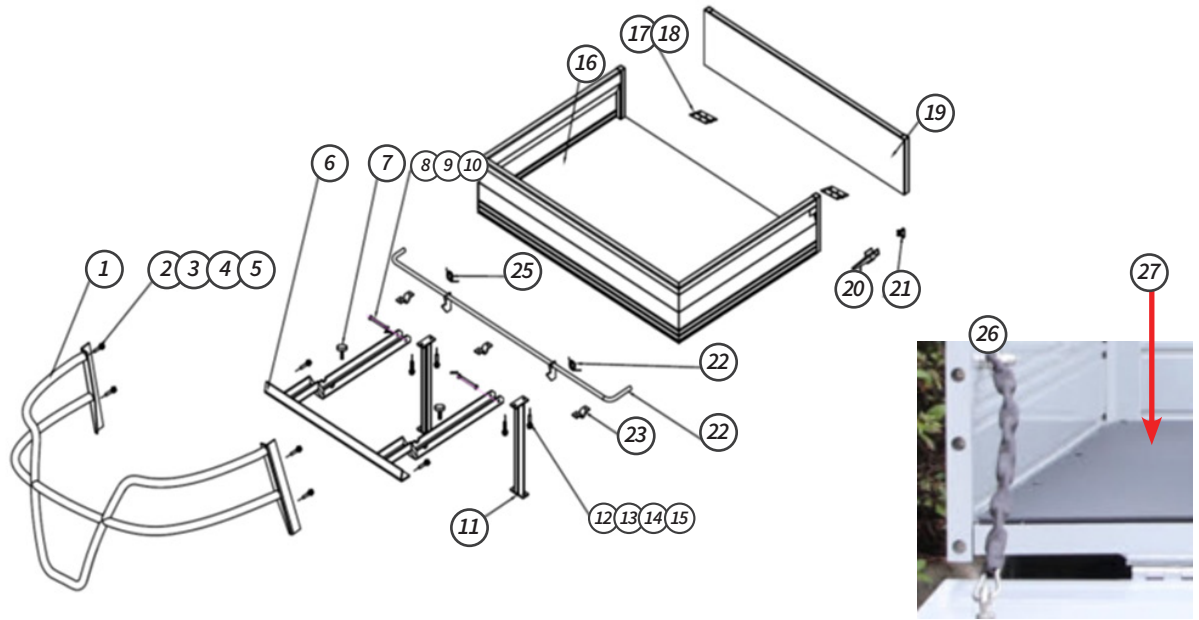
14 Rear Body Parts



Item No.	STAR EV Part No.	Description	MPN	Qty
9-1	2BY650	Rear body DG.C2.8-05000022 (A/3)	2400200701000	1
	2BY651	Rear Body - Pure White		4
	2BY652	Rear Body - Coastal Blue		4
	2BY653	Rear Body - Candy Apple RED		4
	2BY654	Rear Body - Royal Blue		4
	2BY655	Rear Body - Lime Green		1
	2BY656	Rear Body - Black		2
	2BY657	Rear Body - Forest Blue Mist		2
	2BY658	Rear Body - Sunburst Orange		2
	2BY659	Rear Body - Beige		2
	2BY662	Rear Body - Yellow		2
		Rear Body - Metallic Silver		8
9-2	2MO091	Maintenance Cover Assembly DH.C2+2.8K-05000024, A1	2200024788010	8
9-2-1	2PS094	Maintenance Cover DG.C2.8-05000023	2207301149A10	4
9-3	2GB180	Pod Seat Round Vent / Cap / Plug DG-C4/6	2300800007000	4
9-4	2GB181	Bagwell Liner, DG.C2.8-05000024(A/1)	2303400081A10	8
9-5	2LT762	Plastic nail Φ 17.5*23mm for Bagwell Liner	2301700001000	1
9-6	2LT761	Rear headlight housing (Passenger Side) DG.C2.8-05000026 ABS	2100700271000	2
9-7		Rear headlight housing (Driver Side) DG.C2.8-05000026 ABS	2100700252000	18
9-8	2BR850	Rear Bumper and Mounting Accessories, DG-C2-8	2905454007000	1
9-8-1		Rear Bumper DG.C2.8-05000030, (A/1)	2301800040A10	2
9-8-2		Hex Bolts GB/T5783, M8*20	2200102128000	2

9-8-3		Flat Washers GB/T96, 8	2200700188000	1
9-8-4		Spring Washer GB/T93,8.1,	2200701086000	3
9-8-5		Cross Recessed Flat Head Screws GB/T973, M6*20, A2-70	2200305026000	1
9-8-6		Flat Washers GB/T97.1, M6 (12*6.4*1.6), A200	2500600017000	1
9-8-7		Non - Metallic Insert Hex Lock Nuts GB/T889.1, M6, A2-70	2200401054000	2
9-9	2BY999	Rear body support rod installation and accessories	2905445003000	1
9-9-1		Support Bracket / Rod for Rear Body DG.C2.8 -11000100 (A/2) J20*10*2-GB/T6728 Q235-GB/T700	2204900170020	2
9-9-2		Hex bolts GB/T5783, M6*15, A2-70	2200102204000	8
9-9-3		Flat Washer GB/T97.1, M6 (12*6.4*1.6), A200	2500600017000	16
9-9-4	2BY998	Non-Metallic Insert Hex Lock Nuts GB/T889.1, M6, A2-70	2200401054000	8
9-10		Access Panel / battery cover for Rear Body DG.C2.8-05000000, A/0)	2300400325000	1
9-11		Cross recessed pan head screws GB/T818, M4*12, A2-70	2200304197000	4
9-12		Ø20 mushroom head buckle GOGO3-050051, B9983-048, Ø20mm	2202001014A00	4
9-13		EVA die-cut flat strip (Passenger Side DG.C2.8K-01000001, A/0, 180*35*5.0mm	2600704014000	5
9-14		EVA die-cut flat strip (Driver Side) DG.C2.8K-01000002 A/0, 180*35*5.0mm	2600704015000	5

15 Front Bumper / Rear Cargo Box Part



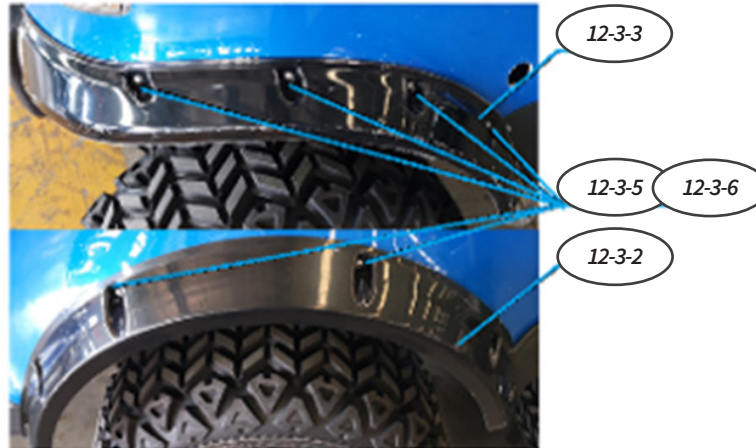
Item No.	STAR EV Part No.	Description	MPN	Qty
1	2BG800	Front bumper welding DH.C2.8-18000100 (A/2)	2206400042020	1
2		Hex bolts GB/T5783, M10*50	2200102099000	4
3		All Metal Hex Flange Face Lock Nuts GBT6187.1, M10*1.25,	2200404061000	4
4		Spring washer GB/T93,10.2	2200701087000	4
5		Flat washer GB/T97.1, M10 (20*10.5*2)	2500600013000	4
6	2UT851	Rear cargo box mounting bracket DH.C2.8-18000500	3304022341	1
7		Bakelite bolts DG.C2-150002,φ35*15 ,M8*40mm	2200600003C00	2
8	2UT819	Turn the pin DH.C2.8-18000400	2200902076000	2
9		Large Flat Washer GB/T96, M8 (24*8.4*2, A200)	2200704006000	2
10		Cotter pin GB/T91 3*30	2200900003000	2
11	2UT853	Rear bucket mounting column	3304012971	2
12		Flat washer GB/T97.1, M8(16*8.4*1.6)	2500600012000	8
13		Spring washer GB/T93, 8.1	2200701086000	8
14		Hex bolts GB/T5783, M8*25, A2-70	2200102184000	4
14-1		Hex bolts GB/T5783, M8*45, A2-70	2200102168000	4
15		Hex nuts GB/T6170,M8	2200400145000	8
16	2UT850	Rear cargo box DH.C2.8-18000200, 2mm	3304029858	1
17	2HG041	Hinge	2202200003000	2
18	2HD117	Open oval head blind rivets GB/T12618 5*15	2201000011000	18
19	2UT854	Tailgate welding DG.TC2.1-051200	2209600006000	1
20	2UT824	Tailgait buckle Q235	2202001004000	2
21	2UT825	Handle to connect ear DN.4.6-05020501 Q235	2208607029A00	2
22	2UT855	Flip Handle for Rear Cargo Box DH.C2.8-18000250, φ14	3304027951	1
23	2UT856	Handle Mount DH.C2.8-18000201	2208100048000	3
24	2UT857	Torsion spring A DH.C2.8-04000123φ2	2201101023A10	1
25	2UT858	Torsion spring B	2201101024A10	1
26	2UT818	Catch chain	2103014450	2
27	2UT850-F	Rear cargo box floor	3301012794	1

16 Mudguard and Mounting Assembly



Item No.	STAR EV Part No.	Description	MPN	Qty
11-1-1	2FN811	Rear mudguard (Passenger Side) DG.C2.8D-05000028	2302305114A00	1
11-1-2	2FN810	Rear mudguard (Driver Side) DG.C2.8D-05000029	2302305115A00	1
11-1-3		Hex bolts GB/T5783, M6*15	2200102246000	2
11-1-4		Large flat pad	2200704005000	4
11-1-5		All metal insert lock nut GB/T6184, M6	2200450002000	2
11-1-6		Hexagon Flange Tapping Screws ST4.2*25, GB/T15856.4	2200500137000	4
11-1-7		Large flat washer GB/T96, M5 (15*5.3*1)	2301908145000	4

17 Fender Flare and Mounting Accessories



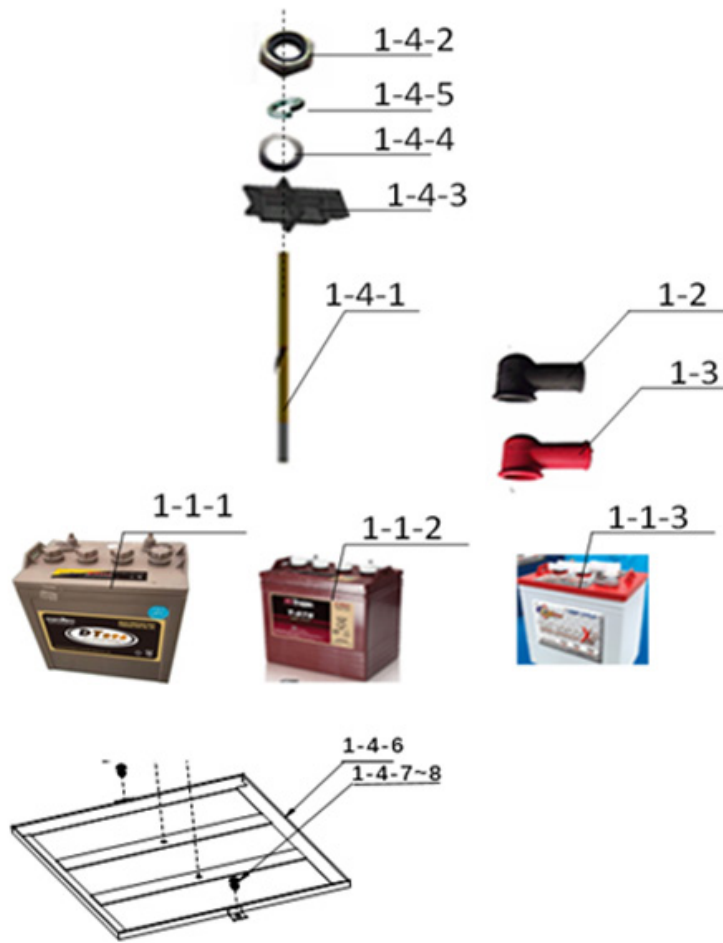
Item No.	STAR EV Part No.	Description	MPN	Qty
12-3-1	2FN805	Fender flare rear driver side DH.C2.8-05151600, 3.0T	2302900006A00	1
12-3-2	2FN806	Fender flare rear passenger side DH.C2.8-05151800 3.0T	2302900007A00	1
12-3-3	2FN850	Fender flare front driver side DH.C2.8-05151900, 3.0T	2302900008A00	1
12-3-4	2FN851	Fender flare front passenger side DH.C2.8-05151700, 3.0T	2302900009A00	1
12-3-5		Cross recessed pan head tapping screws GB/T845 ST4.8*25, A2-70	2200500233000	24
12-3-6		Flat washer GB/T97.1, M5 (10*5.3*1) A200	2500600016000	24

18 Tire and Installation Assembly



Item No.	STAR EV Part No.	Description	MPN	Qty
		Tire and installation assembly	2905443003000	
1	2CC130	Center Cap	2209000002000	4
2	2TR516	Tire only - AT22*10-10, 4PTL	2301400010000	4
3		Rim optional components	2905476001000	1
3-1	2RM908	Default Steel Rim 10 x 8	2205100099000	4
3-2	2RM918	Upgrade Aluminum Rim 10 x 8	2200016661000	4
4		Valve	2205900005000	4
5	2LN015	Lugnut	2200406043000	16

19 Battery Mounting Assembly



Item No.	STAR EV Part No.	Description	MPN	Qty
1		Battery unit and mounting accessories DH-C2-8G, 48V	2905466080000	1
1-1		Battery 8V, 48V	2100101377000	1
1-1-1		DT896E	2100101050000	6
1-1-2		Outsourced battery 8V/170AH TROJAN, T875	2100101017000	6
1-1-3	2BT402	Outsourced battery 8V/170AH: US 8V GC	2100101018000	6
1-2	2BT404	Terminal Cap Black	2301902002000	12
1-3		Terminal Cap Red	2301902001000	12
1-4	2BT045	Battery Mounting Accessories DH-C2-8	2904200065000	1
4-1		Battery tightening screw DHWQY.2-06000001	2200200002B00	2
4-2	2BT036	Hex Nuts GB/6170 M8,8	2200400012000	6
4-3		battery pressure plate DN.4A-06000001	2207300286B10	2
4-4		M8 Flat Washers GB/T97.2 8	2200700023000	6
4-5		M8 Spring Washer GB/T93,8	2200701011000	2
4-6		8V Battery Holder DG.C2.8-10002000, 30mm	2203900049A20	1
4-7		M8 x 25 Bolt, Hex Head	2200100029000	2
4-8		M8 A200 SS Flat Washer	2200700021000	2
4-9		M8 A2-70 SS Lock Nut	2200401003000	2

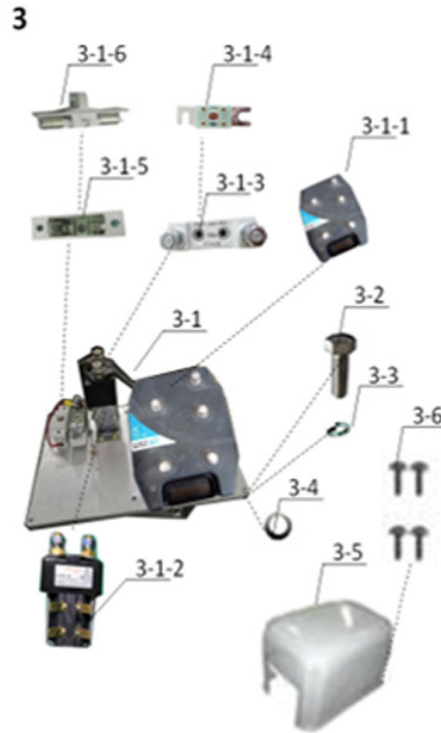
20 Battery and Controller Motor Harness



Item No.	STAR EV Part No.	Description	MPN	Qty
1		Battery 8V	2100101035000	6
1-1	2BT402	DT896E	2100101050000	6
2	2BT404	Terminal Cap Black	2301902002000	12
3	2MO701	Terminal Cap Red	2301902001000	12
4		Motor (AC 32V 4KW AQHT4-4003B)	2101903035000	1
5		M6 x 25 Hex bolts DIN933,M6*25	2200100257000	3
6		M6 Spring Washer GB/T93,6	2200701010000	3
7		M6 Flat Washers	2200700088000	3
8		Controller Assembly DH-C2-8A, 400*204	2901501016000	1
9		M8 A2-70 SS Lock Nut	2200401003000	4
10		M8 A200 SS Flat Washer	2200700021000	4
11		Cover - 320 x 214x 145mm for Controller	2304401700C10	1
12	2SW430	M5 x 15 Cross recessed pan head screw GB818-85 M5*15	1205211014000	4
13	2SW152	Switch-Forward / Reverse	2101400208000	1
14		Backup beeper / buzzer with terminal wires DG.C2-170213, 2.8-2P	2902400002C00	1
14-1		Buzzer 48V, DG-C2	2101602010000	1
14-2		Pin terminal M x 2.8 (16-20#) 35711-0210	1205505010000	2
14-3	2MT221	Terminal housing, Mx35957-0210,2.8-2P 66	1306413001000	1
15	2SW290	Battery indicator 48V, IPD48BGMAO	1931170100000	1
16		Universal Ignition switch with keys	2101500006000	1
17	2SW170	Headlight Switch	2101500048000	1
18		Hazard Alarm Switch	2101400035000	1
19		Charging socket Y-3 AC220V	2100600051000	1
20		Cross Recessed Flat Head Screws GB/T973 M6*20 A2-70	2200305003000	4

21	2WS476	M6 Flat Washers	2200700088000	4
22		M6, A2-70 Hexagon lock nut with Non-Metallic insert stainless steel	2200401001000	4
23		Battery cable	2100400036C00	1
24	2BT154	Controller positive and negative power lines DH.C2.8-14000003	2901701198A00	1
25	2WH959	Motor connection line DG.C2.8A-14002004, A1	2901706137A10	1
26		Power control circuit harness DH.C4.8-14000005	2901705294A00	1
27		Data line DN.14F-14001038	2100400001B00	1
28		Charger delta-q,48V18A, 120/230VAC	2101100011000	1
29		Charging plug Y-3, AC220V,	2100601019000	1
30		Charger input cable 14AWG*3C 5M	2100401022000	1
30-1		Charger input cable 14AWG*3C 5M	2100401010000	1
30-2		Charger input cable 14AWG*3C 5M	2100401011000	1
30-3		Charger input cable 14AWG*3C 5M	2100401008000	1
30-4	2DC808	Charger input cable VDE,H05VV-F,1.5MM2*3C , L = 5M,BS, BP	2100401009000	1
31		Instrument switch fixing plate DG.C2.8-02000100 t2.0/	2207301170A30	1
31-1		Cross recessed pan head tapping screws GB/T845 ST2.9*16, A2-70	2200500198000	4

21 Controller and Installing Accessories



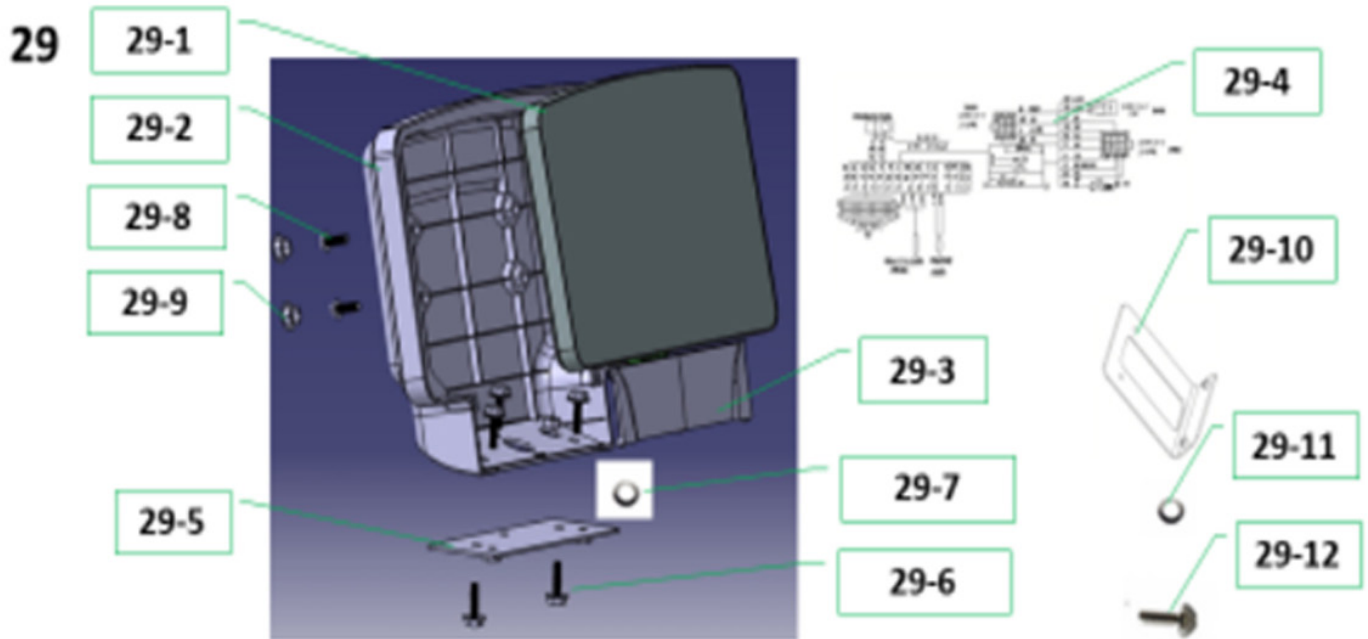
Item No.	STAR EV Part No.	Description	MPN	Qty
3		Controllers and installing accessories	2905467003000	1
3-1	2CN700	Controller assembly 1232SE-5321	2901500107000	1
3-1-1	2SO480	AC Controller	2101701024000	1
3-1-2	2FU174	Main Contactor, ZJW200A/48V DG.C4.1B-170022 ZJW200A/DC48V	2102300047A00	1
3-1-3	2FU190	Fuse Holder RQD-148V800A	1131550107000	1
3-1-4	2FU121	Main Fuse CNN-300A DC48V	1128100120000	1
3-1-5	2FU150	Fuse Holder RT14-20	2303400009000	1
3-1-6		Control Fuse RT14-20/10A	2102601003000	1
3-2		M8 x 16 Hexagon headed bolt: GB/T5783 M8*16	2200100089000	4
3-3		Spring Washer GB/T93,8mm	1205002014000	4
3-4	2CN916	M8 Flat Washers GB/T97.2 8	2200700023000	1
3-5		Cover - 320 x 214 x 145mm for Controller	2304401700C10	1
3-6		M5 x 15 Cross recessed pan head screw GB818-85 M5*15	1205211014000	4

22 Lighting Parts



Item No.	STAR EV Part No.	Description	MPN	Qty
1	2WH979	Lighting harness DH.C4.8-14000007	2901704136A00	1
2	2SW390	Combination Switch 600mm, 63-8P	2101400026000	1
3		Cross recessed pan head tapping screws GB/T845 ST5.5*16	2200500024000	2
4		Flat Washers GB/T96.2 6	2200700019000	2
5	2LT746	Headlight-Passenger Side Assembly DG.C2.8 -14000010 (A/1), 12V EMARK DOT	2100700259010	1
6	2LT745	Headlight-Driver Side Assembly, DG.C2.8-14000011 A/1, 12V, EMARK DOT	2100700258010	1
6-1		Hex bolts GB/T5783, M6*15	2200102246000	4
6-2		M6 Large washer GB/T96, M6 (18*6.4*1.6)	2200704005000	4
6-3		M6 Clip Nut	2200406019000	4
6-4		Cross recessed pan head tapping screws GB/T845 ST4.8*25, A2-70	2200500233000	2
6-5		large flat washer GB/T96, M5 (15*5.3*1, A200)	2301908145000	2
7	2LT760	Tail light assembly, JUTE1513-T, DC12V/2.49w E4 50R-0024223	2100700217000	2
8		Cross recessed pan head screws GB/T823 M4*20	2200304006000	4
9		Flat Washers GB/T96,4	2200700006000	4
10		Non-Metallic Insert Hex Lock Nuts GB/T889.1 M4 A2-70	2200401014000	4
11	2CV155	DC converter DC48V-DC12V/300W, DJ7041-6.3-10	2101800001000	1
12		M5 x 15 Cross recessed pan head screw GB818-85 M5*15	1205211014000	4
13		M5 Hexagon lock nut with non-metallic insert GB/T889.1 M5 A2-70	2200401002000	4
14		M5 Flat washer GB/T97.1 5	2200700010000	4
15	2SW210	Electric horn DC12V3A, 105dB, EMARK	2101600001000	1
16	2RL060	Flasher DC12V/130W, 90±30	2101603003000	1
17		M5*20 External hexagon rear end self drilling screw	2200307005000	1
18	2SW611	Brake light switch assembly, DN.8-14001020	2902100004B00	1
18-1		Brake light switch 1mm DC12V10A	2101400002000	1
18-2		Chip Terminal MX35725-1810,6.3 (14-18#)	1205502010000	1
18-3		Terminal housing MX35955-0210,6.3-2P 66	1306414003000	1

23 10" Display Assembly



Item No.	STAR EV Part No.	Description	MPN	Qty
29	N/A	Capella 10" display assembly DG-C2-8G,10	2103014663	1
29-1	2MT297	Capella 10" display 48v CAN	3207015501	1
29-2	2MT299	Display cover body DG.C2.8G-17000010,S7, ABS	3401010386	1
29-3	2MT300	Display cover DG.C2.8G-17000011,S7, ABS	3401010387	1
29-4	2MT301	Connecting cable DG.C2.8G-14000010, S1	3205026662	1
29-5	2MT302	Display mounting plate DG.C2.8G-17000012, S1, GB/T708 2.0T	3304017748	1
29-6	2HD295	Coarse teeth full thread hexagon head bolt GB/T5783-M6×15	2200102246000	5
29-7	2HD296	Large Washer GB/T 96.1-6,A2	2200700017000	5
29-8	2HD297	Cross recess pan head screw GB/T 818-M5×20, A2-70, 300	2200304199000	4
29-9	2MT303	Rubber Mat MC12-4.0001-0700, A0, φ10*2mm, ROHS	1304202011A00	4
29-10	2MT304	Display support plate DG.C2.8G-10000110, S0,Q2353mm	3301022504	1
29-11	2HD298	Hex socket flat round head screw GB/T70.2-M6×16,8.8	2200301177000	4
29-12	2HD299	Flat Washer GB/T97.1-6	2200700104000	4