



Search with **Ctrl-F** (PC) or **Command-F** (Mac) to quickly find what you're looking for.



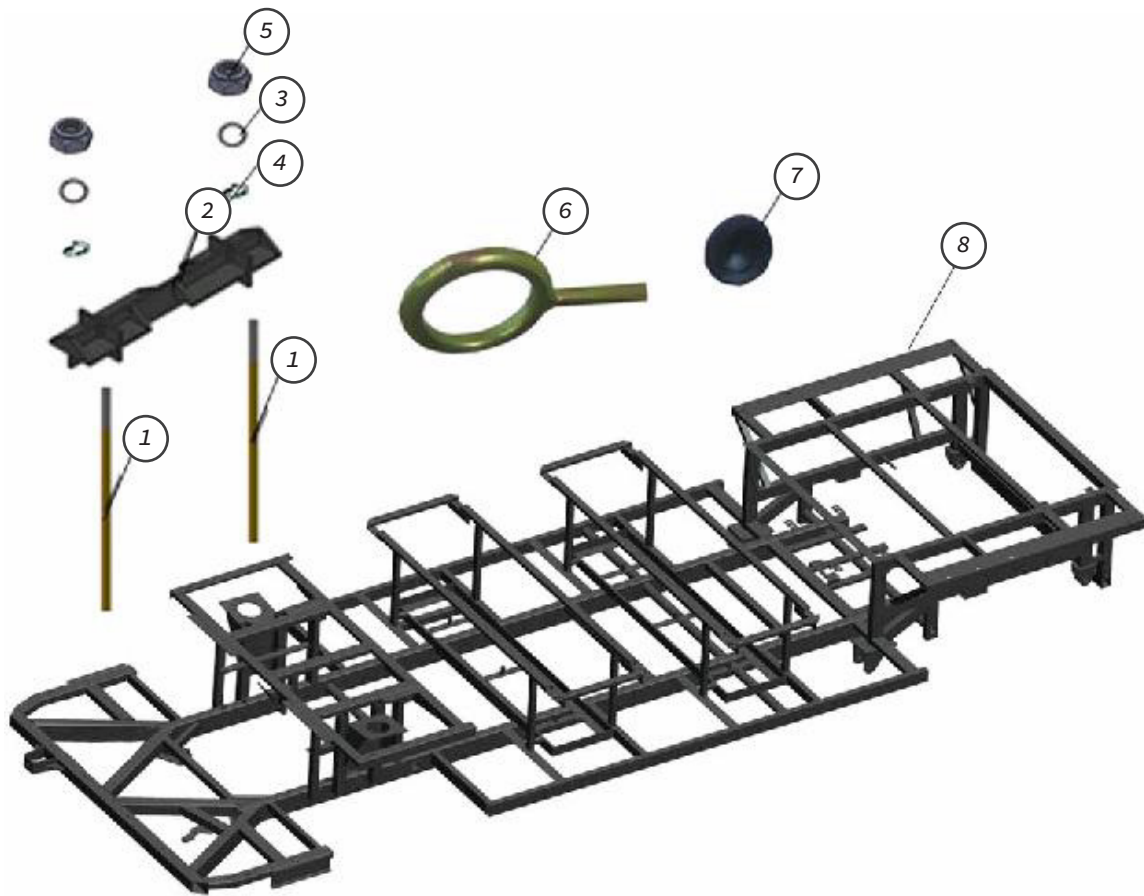
M-Series Parts Manual

BN72-14-AC-Autodrive-M, BN72-11-AC-Autodrive-M, BN72-08-AC-Autodrive-M

Contents

1	Chassis and Battery Installing Accessories	3
2	Front Axle Accessories	4
3	Rear Axle Accessories	6
4	Steering System Assembly	8
5	Brake System	10
6	Front Body Assembly	12
7	Roof and Uprights Accessories	14
8	Driver Seat Accessories	16
9	Second and Third Row Seats	17
10	Fourth and Fifth Row Seats	18
11	Rear Accessories	20
12-1	Electric Accessories, A	22
12-2	Electric Accessories, B	23
12-3	Electric Accessories, C	24
12-4	Electric Accessories, D	25
12-6	Electric Accessories, F	27
13	Seat Belt Assembly and Storage Box	29
14	DPI Charger	30

1 Chassis and Battery Installing Accessories



Item No.	STAR EV Part No.	Description	MPN	Qty
1	2BT045	Battery fixing screw	2200200002B00	6
2	2BT036	Storage battery plate	2207300286B00	6
3		M8 SPRING WASHER GB/T93,8	2200700080000	6
4		M8, hex bolt, , zinc plated **2200400012000	2200701011000	6
5		Hex nut	2200400012000	6
6		Tow hooks	2304000023B00	1
7		Protecting bush	2301900112000	1
8		Chassis	2207400138A20	1

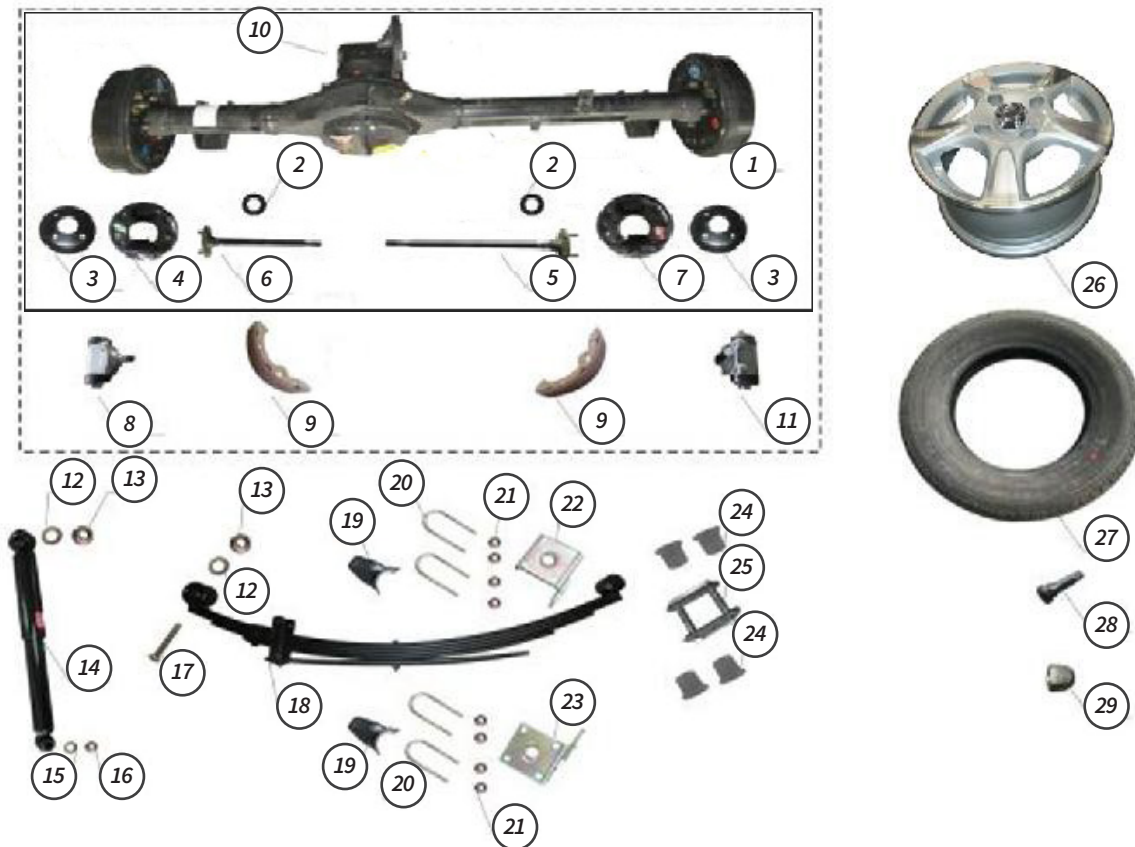
2 Front Axle Accessories



Item No.	STAR EV Part No.	Description	MPN	Qty
1	2CC140	Dust Cover / Center cap f	2209000004000	2
2	2RM906	Rim 13" (Aluminum)	2205100002000	2
3	2TR260	Tire (Dunlop 165/70 R13)	2301400012000	2
4	2TR900	Cycle valve	2205900006000	2
5	2LN015	Wheel nut	2200406043000	8
6		Hexagon thin slotted nuts	2200403007000	2
7		Flat washer	2200700034000	2
8	2HD211	Cotter Pin 3 x 30	2200900003000	2
9		Hexagon bolt	2200100058000	2
10		M8 HEXAGON LOCK NUT Non-metallic insert	2200401008000	6
11		M8 Flat Washers GB/T97.2 8	2200700023000	6
12	2SC110	Left (driver) front shock absorber assembly	2205300018000	1
13	2SC120	Right (passenger) front shock absorber assembly	2205300019000	1
14	2DR040	Front hub	2801310-005	2
15		M8 x 20 HEX HEAD BOLT GB/T5783	2200100039000	8
16		M8 SPRING WASHER GB/T93,8	2200701011000	8
17	2BP026	6350 Left (driver) front brake assembly	2205400001000	1
18	2SP230	Left (driver) knuckle/spindle	2205400001000	1
19	2SP231	Right (passenger) knuckle/spindle	2205400002000	1
20	2BP027	6350 Right (passenger) front brake assembly	2205500015000	1
21	2HD214	2.5 x 22 Cotter Pin GB/T91 2.5*22	2200900008000	2
22		Hexagon bolt	2200100090000	2
23		Flat washer	2200700060000	2
24		M10, Nylon lock nut, zinc plated	2200401010000	2

25		Hexagon flange bolts	2200102004000	4
26		Hexagon bolt	2200100075000	2
27		Flat washer	2200700076000	2
28		M10, Nylon lock nut, zinc plated **2200401010000	2200401010000	2
29	2SC050	Front axle Swing arm assembly	2204700002000	2
30		M10 x 1.5, Lock nut, Metal, zinc plated	2200404004000	2
31	2SC000	Front beam assembly	2204700007000	1
N/A	2SH020	Front brake shoe	2204500025000	1
N/A	2CY200	Front Wheel Cylinder: Driver Side W/Out Bleeder		
N/A	2CY201	Cylinder Front Driver with bleeder		
N/A	2CY202	Cylinder Front PASSENGER WITHOUT bleeder		

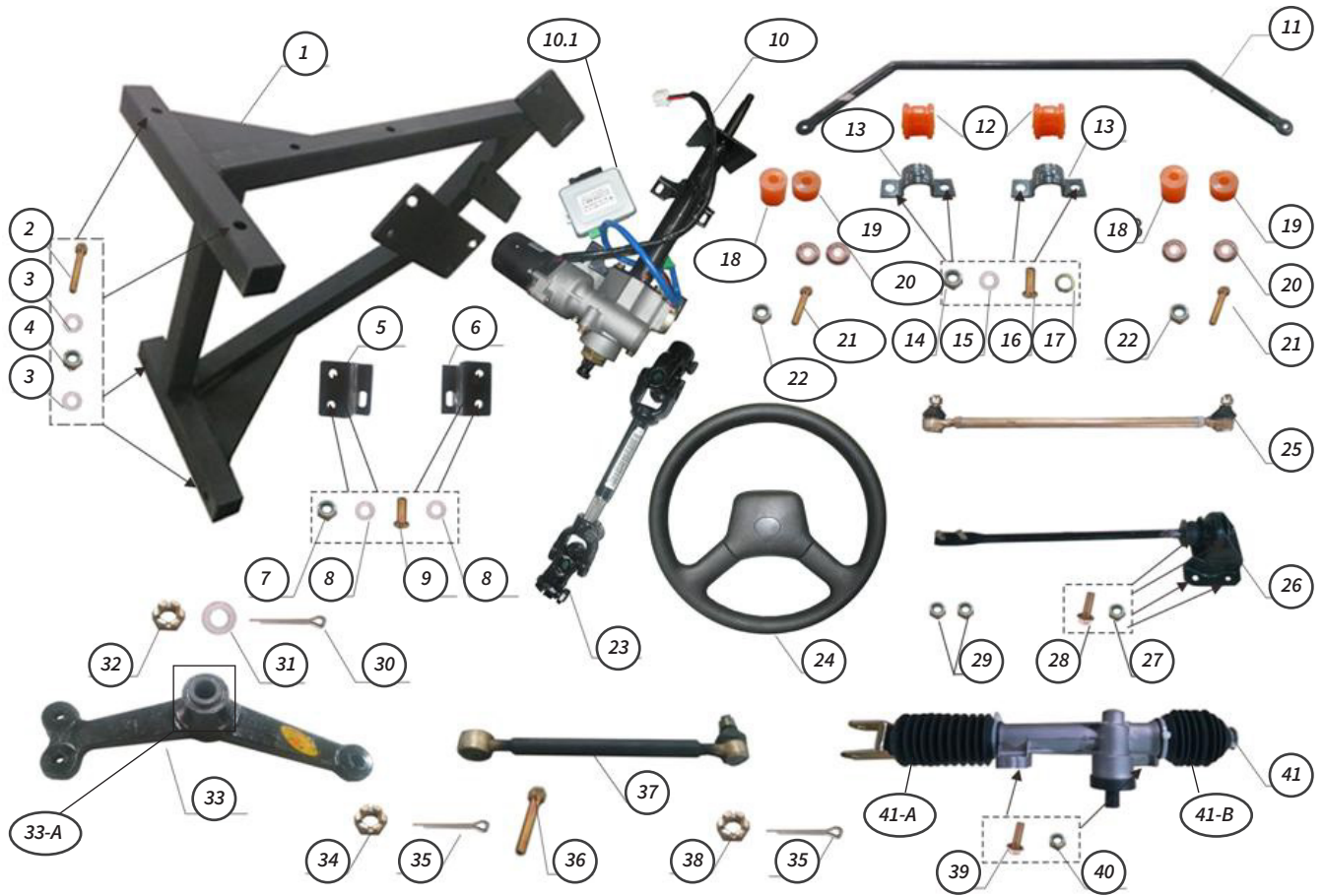
3 Rear Axle Accessories



Item No.	STAR EV Part No.	Description	MPN	Qty
1	2RE160	Rear End Ratio 14.67:1	2204400056000	1
1	2RE162	Rear End Heavy Duty Gearratio 13.65:1	2204400098000	1
2	2OL200	Half Axle Oil Seal (Dimensions: 48*62*9)	2301300020000	2
3	2DM130	Rear Brake Drum	2205100080000	2
4	2BP030	Rear Driver Backing Plate Assy With Bleeder Valve	2205500042000	1
5	2AX400	Half Axle Assembly (Driver Side - Short -19.25"	2201803024000	1
6	2AX401	Half Axle Assembly (Passenger Side 29-1/2" Long)	2201803023000	1
7	2BP031	Rear Passenger Backing Plate Assy Without Bleeder Valve	2205500043000	1
8	2CY204	Wheel Cylinder 22.22 Rear Driver	2204300026000	1
9	2SH030	Brake Shoes	1030-2801080	2
10	2RR250	Gear Box 14.67:1 Ratio	2204100028000	1
10.1	2RR155	Differential Rubber Plug	2301300032000	1
11	2CY602	Rear Passenger Side Only (No Bleeder)	2204300027000	1
12		Flat Washer	2200700030000	4
13		Nonmetal Insert Hexagon Lock Nut	2200401013000	4
14	2SK270	Shock Absorber	2205300020B03	2
15		Flat Washer	2200700024000	2
16		M8 Hexagon Lock Nut Non-Metallic Insert	2200401008000	2
17		Hexagon Bolt	2200100079000	2
18	2LF060	6 Layer Leaf Spring	2204010036000	2

19	2LF053	BUMPER for rear leaf spring	2208605009000	2
20		U bolt	2200104019B00	4
21		M10 x 1.5, Lock nut, Metal, zinc plated **2200404004000	2200404004000	8
22	2LF047	Right rear Steel plate spring seat components	2204010020000	1
23	2LF046	Rear left / DRIVER leaf spring seat assembly M-SERIES	2204010016000	1
24	2BS320	Rear steel plate spring bushing	2301900020000	8
25	2LF049	Rear steel plate spring lateral plate component	2208605010000	2
26	2RM906	Rim 13" (Aluminum)	2205100002000	2
26 & 27	7RM260	Assembly- 2RM906 mounted on 2TR260		4
27	2TR260	Tire (Dunlop 165/70 R13)		4
27	2TR261	Tire 165/70 R 13 DEWSTONE WR080-02		4
28	2VL900	Cycle valve	2205900006000	1
29	2LN015	Wheel nut Q/2A-CJ-159-M12*1.25	2200406043000	8
N/A	2LN016	Stud for rear half axle	2200103055000	8
N/A	2BE210	Bearing for half axle, 6207Z	220120001000	1
N/A	2BE220	Bearing for driving shaft I of gear box, 6005	220102009000	1
N/A	2BE221	Bearing for driving shaft II of gear box, 6303/p6-2RS-SKF	2201200089000	1
N/A	2RR132	Input shaft for differential	2201200208000	1
N/A	2OL070	32 × 47 × 8 Oil seal for Rear End ratio 14.67:1	2301300021000	1
N/A	2OL207	28* 62 × 10 Oil seal for Rear End ratio 13.65:1	2301300069000	1

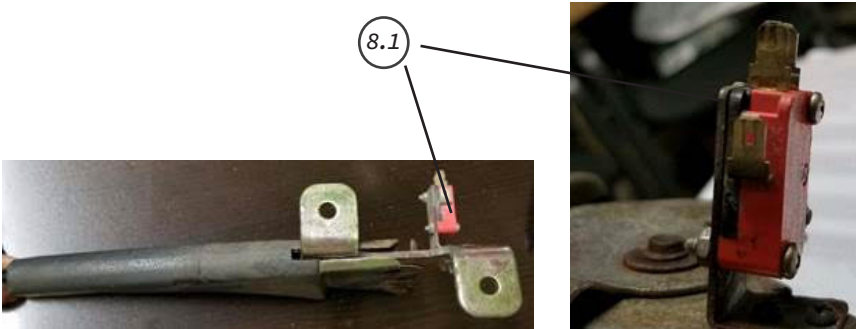
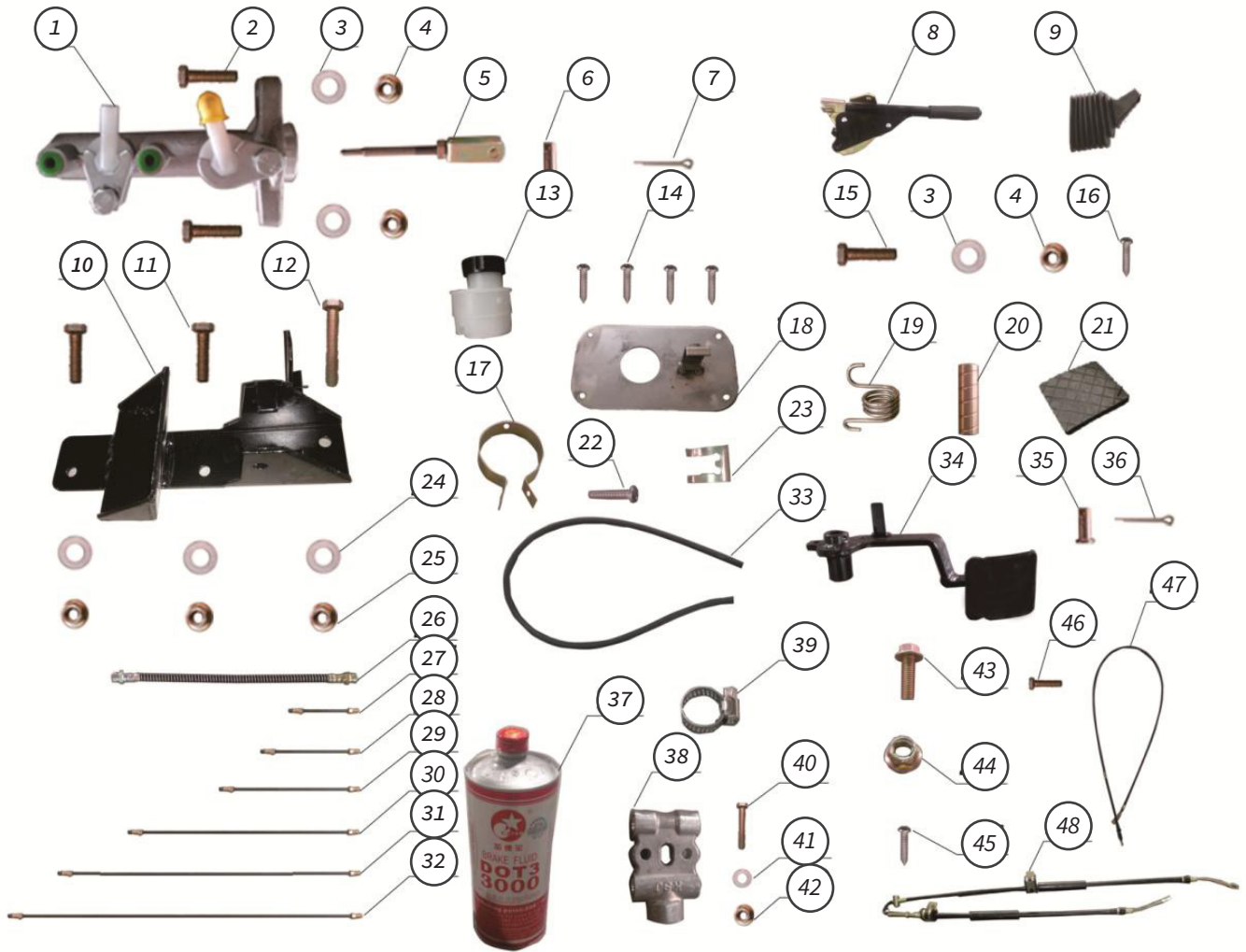
4 Steering System Assembly



Item No.	STAR EV Part No.	Description	MPN	Qty
1		Steering mounting bracket assembly	2207200289B00	1
2		Hexagon bolt	2200100099000	4
3		M8 A200 SS Flat washer for SIRIUS **2200700021000	2200700021000	8
4		M8 A2-70 SS Lock Nut for SIRIUS **2200401003000	2208605006B00	4
5		Steering Rack mounting plate left	2208605005B00	1

6		Steering Rack mounting plate right	2208605006B00	1
7		Nonmetal insert hexagon lock nut	2200401008000	8
8		Flat washer	2200700080000	16
9		M8 x 25 Bolt, HEX HEAD	2200100029000	8
10	2ST910	Electric power-assisted steering welding assembly	2201801061A00	1
10.1	2ST902	Steering Controller	3203020052	1
11	2ST400	Front steady rod	2204900001000	1
12	2BS332	Rubber bush of front steady rod (dome/semi-circular shape)	2301900008000	2
13		Fixed holder of front steady rod	2207200187000	2
14		M8 HEXAGON LOCK NUT Non-metallic insert	2200401008000	4
15		M8 Flat Washers GB/T97.2 8	2200700023000	4
16		M8 x 25 Bolt, HEX HEAD **2200100029000	2200100029000	4
7		M8 SPRING WASHER GB/T93,8	2200701011000	4
18	2BS330	Rubber cover of front steady rod (large, round)	2301900010000	2
19	2BS331	Rubber cover of front steady rod (small, round)	2301900010000	2
20		Front steady rod spacer	2200703008000	4
21		Hexagon bolt	2200100091000	2
22		All-metal hex flange lock nut	2200404005000	2
23	2ST246	Lower Steering shaft (new retractable design)	2206000026A00 to 2201801078B10	1
24	2SL060	Steering wheel	2207700019B00	1
24-1	2SL050	Horn cover for steering wheel on for M-Series Bus	2300806113000	1
25	2TI300	Steering tie rod assembly	2204800020000	2
26	2SC062	Diagonal tie assembly (Tension Rod)	2204800013B10	2
27		M10 x 1.5, Lock nut, Metal, zinc plated	2200404004000	8
28		Hexagon flange bolts	2200102005000	8
29	2HD010	All-metal hex flange lock nut	2200404002000	4
30	2HD214	2.5 x 22 Cotter Pin GB/T91 2.5*22	2200900003000	1
31		M20 FLAT WASHER : GB/T97.2,M20, 1.6~1.7mm	2200700057000	1
32		Hexagon thin slotted nut GB/T9459 M18*1.5	2200403008000	1
33	2ST700	Steering center rocker arm assembly / Pitman arm	2204700041B00	1
33-A	2BS500	Bushing for Pitman arm		
34		Hexagon thin slotted nut GB/T9459 M12*1.25	2200403002000	1
35	2HD203	φ8* 28 CLEVIS PIN GB/T882-2008	2200900008000	2
36		Threaded rod hexagon head bolt with hole GB/T31.1 M12*50 8.8	2200101001000	1
37	2ST801	Steering down shaft assembly (“drag link”)	2204800014B10	1
38		Hexagon thin slotted nuts	2200403006000	1
39		Hexagon flange bolts	2200102004000	2
40		M10 x 1.5, Lock nut, Metal, zinc plated **2200404004000	2200404004000	2
41	2ST560	Steering gear assembly	2205700004000	1
41-A	2ST070	Steering gear boot, large	2301900145000	1
41-B	2ST071	Steering gear boot, small	2301900146000	1

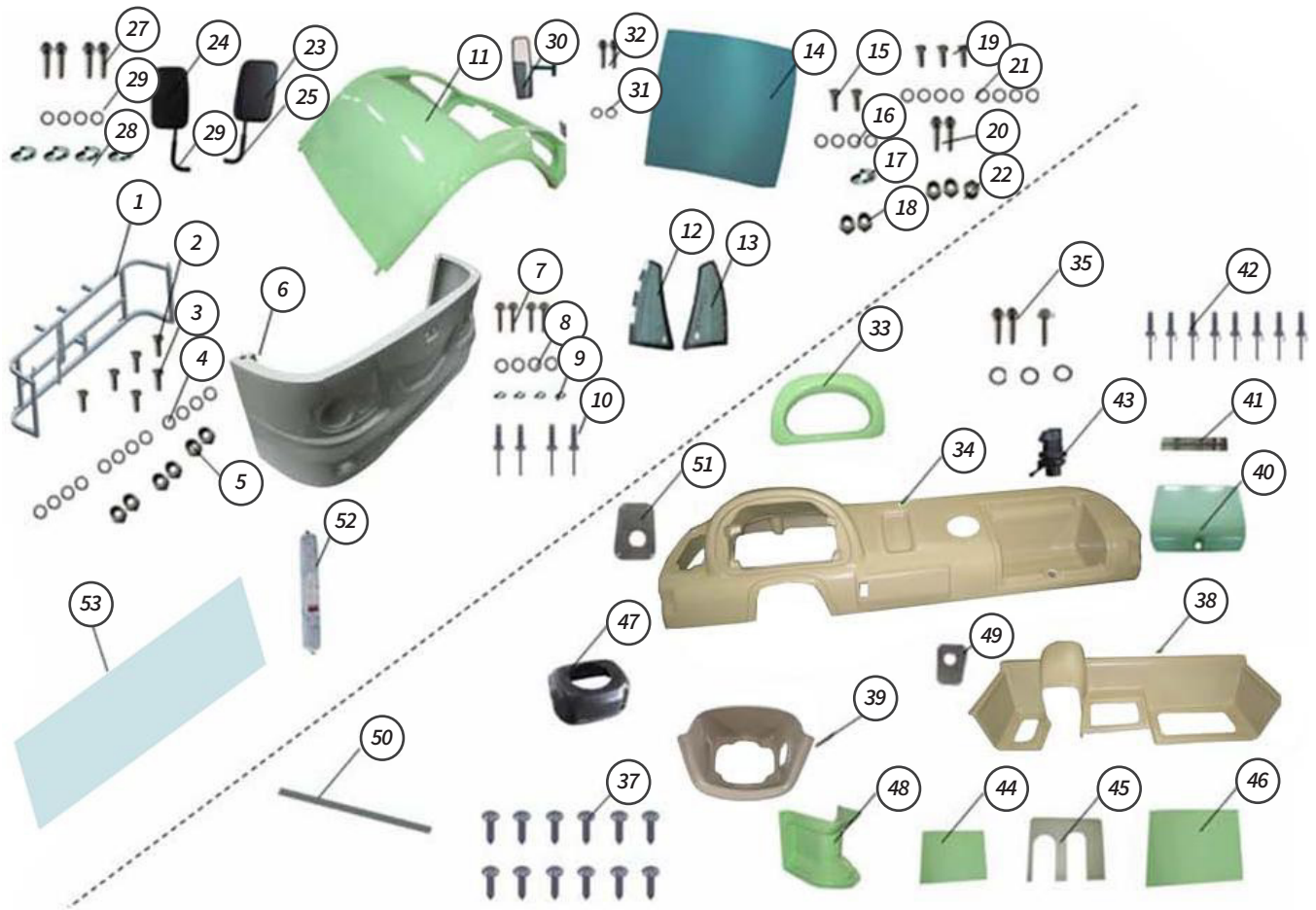
5 Brake System



Item No.	STAR EV Part No.	Description	MPN	Qty
1	2MC050	Brake master cylinder 7/8", 80mm	2206300005000	1
2		M8 x 30 Hexagon headed bolt GB/T5783,M8*30	2200100080000	2
3		M8 Flat Washers GB/T97.2 8	2200700023000	4
4		M8 HEXAGON LOCK NUT Non-metallic insert	2200401008000	4
5	2MC040	Brake master cylinder adjustable push rod 95mm	2204900027000	1
6	2HD202	8 x 22 CLEVIS PIN GB/T882,8*22,B	2200902007000	1
7	2HD214	2.5 x 22 Cotter Pin GB/T91 2.5*22	2200900008000	1
8	2PB140	N/A	2202800001000	1
8.1	2SW552	Microswitch for parking brake handle	2101400001000	1

9	2PB142	Hand brake cover	2300403205B00	1
10		Brake cable Pedal fixing base	2208100098A00	1
11		Hexagon bolt	2200100073000	2
12		Hexagon bolt	2200100054000	1
13	2TB161	Tank- Liquid tank / brake fluid reservoir	2303300001000	1
14		M8 x 25 Cross recessed pan head tapping screw GB/T845 ST4.8*25 F-H A2-70	2200500005000	4
15		M8 x 25 Bolt, HEX HEAD **2200100029000	2200500005000	2
16		M8 x 25 Cross recessed pan head tapping screw GB/T845 ST4.8*25 F-H A2-70	2200100029000	4
17	2MC059	Master Cylinder Oil Clamp (Splint)	2207901001000	1
18	2DB632	Oil can install board / cover for M-Series ONLY	2207300073B00	1
19	2PD082	Brake pedal torsional spring	2201101018B10	1
20		Brake pedal rotating cover	2202100045S00	1
21	2PD040	Brake pedal rubber cover	2301900023000	1
22		Cross recess pan head screw	2200304007000	1
23	2CB083	CLIP / E-type Snap Ring for cable	2207901006000	7
24		Flat washer	2200700076000	3
25		M10, Nylon lock nut, zinc plated **2200401010000	2200401010000	3
26	2TB001	Brake flexible pipe (350 mm)	2206700034B00	3
27	2TB220	Brake pipe 6 (320 mm / 12.6")	2206700022000	2
28	2TB200	Brake pipe 4 (400 mm / 15.8")	2206700009000	2
29	2TB190	Brake pipe 3 (600 mm / 23.6")	2206700015000	1
30	2TB180	Brake pipe 2 (1200 mm / 47.2")	2206700014000	1
31	2TB210	Brake pipe 5 (1900 mm / 74.8")	2206700020000	2
32	2TB170	Brake pipe 1 (2500 mm / 98.4")	2206700021000	1
33	2TB029	TUBE $\Phi 15 \times \Phi 8.5$ for Brake Reservoir	2300500002000	2
34	2PD121	Brake pedal	2206200028B00	1
35	2HD200	Clevis Pin 8 x 20 GB/T882	2200902002000	1
36	2HD211	Cotter Pin 3 x 30	2200900003000	1
37		Braking fluid	9601004608000	1
38	2TB241	Five-outlet junction valve	2201600004000	1
39	2TB028	Tube CLAMP $\phi 16$ mm FOR Brake liquid tank (Reservoir)	2207901008000	4
40		Hexagon bolt	1205201013000	1
41		Flat washer	2200700019000	2
42		Nonmetal insert hexagon lock	2200401006000	1
43	2HD015	Hexagon flange bolts M10*1.25*75	2200102015000	1
44	2HD010	Metal hex flange lock nut	2200404002000	1
45		M8 x 25 Cross recessed pan head tapping screw GB/T845 ST4.8*25 F-H A2-70	2200500005000	3
46		Hexagon bolt	2200100166000	2
47	2CB050	Parking brake main wire rope	2206901006B00	1
48	2CB051	Rear parking brake cable #2 DN.14F-03040000	2206901002B00	1

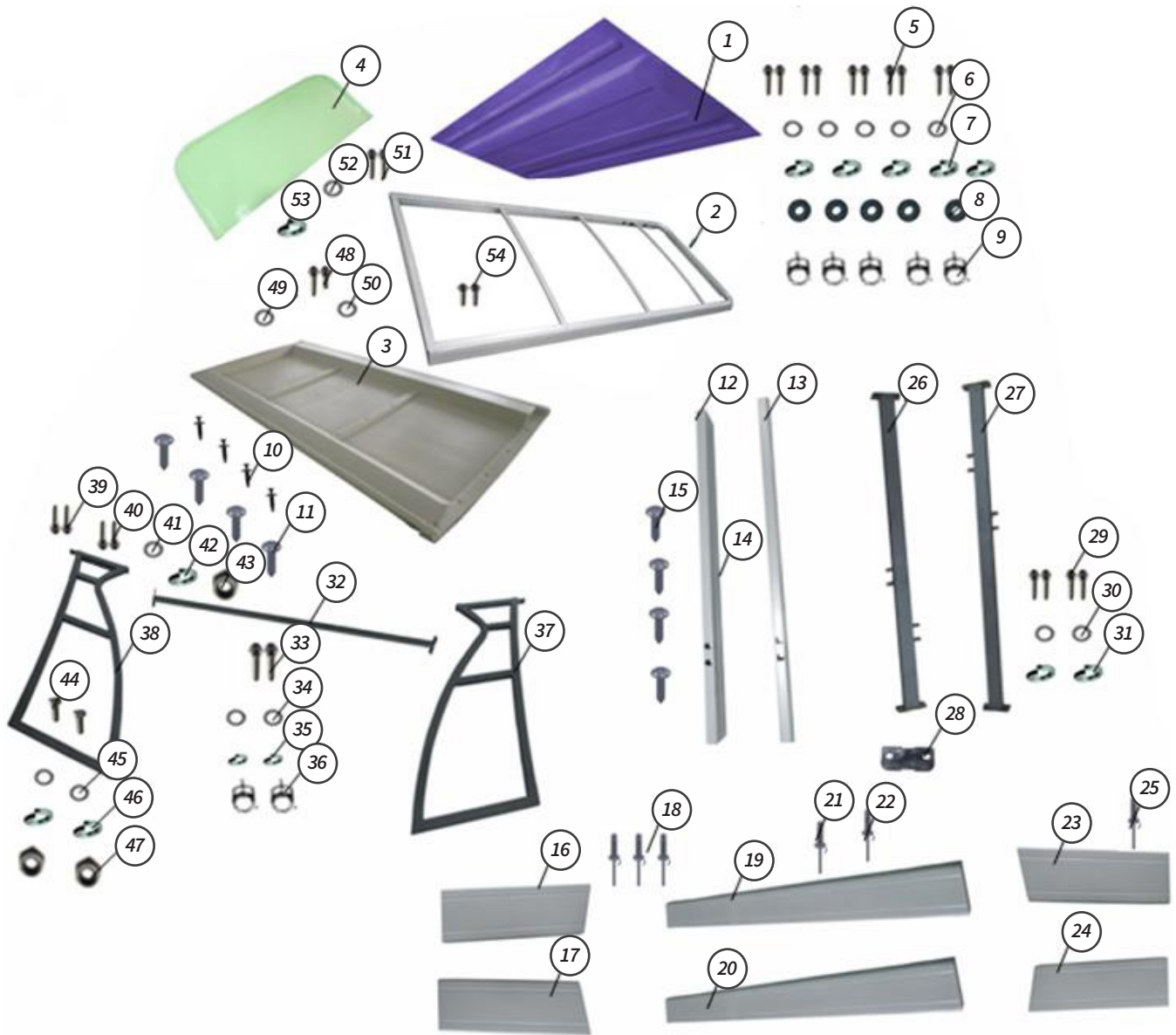
6 Front Body Assembly



Item No.	STAR EV Part No.	Description	MPN	Qty
1		Front face holder assembly	2207200078B00	1
2		Hexagon bolt	2200100028000	4
3		M10 x 80 Hexagon head bolts GB/T5782	2200100254000	2
4		Flat washer	2200700076000	12
5		M10, Nylon lock nut, zinc plated **2200401010000	2200401010000	6
6	2BO450	Front face	2400100460A00	1
7		Cross recess pan head screw	2200304007000	8
8		Flat washer	2200700014000	8
9		Lock washer	2200701009000	8
10		Open flat circle cap self-plugging rive	2201000003000	8
11	2WS280	Front windshield frame	2902700516B00	1
12	2WD230	Left side window glass	2400700066000	1
13	2WD240	Right side window glass	2400700067000	1
14	2WS310	Front windshield glass	2400700018A00	1
15		Hexagon bolt	2200100158000	2
16		M10, Flat washer, Zinc plated **2200700026000	2200700026000	4
17		M10, SS Spring Washer for SIRIUS **2200701013000	2200701014000	2
18		Hex nut	2200400022000	2
19		Hexagon bolt	2200100099000	3

20		M8 x 25 Hexagon socket flat round head screw -M8*25 A2-70	2200301023000	2
21		Flat washer	2200700025000	8
22		M8 A2-70 SS Lock Nut for SIRIUS **2200401003000	2200401003000	3
23	2MR281	Rear mirror (left/driver)	2207600018000	1
23.5	2MR282	Mirror small left panel	2401027001000	1
24	2MR291	Rear mirror (right/passenger)	2207600019000	1
24.5	2MR292	Mirror small right panel	2401027002000	1
25	2MR280	Rear mirror holder (left)	2207200084A00	1
26	2MR290	Rear mirror holder (right)	2207200085A00	1
27		Hexagon socket button head screws	2200301022000	4
28		M8 SPRING WASHER for SIRIUS **2200701012000	2200301018000	4
29		M8 A200 SS Flat washer for SIRIUS **2200700021000	2200700021000	4
30		Mirror - Rear View for M-Series Bus.	2207600052000	1
31		M5 Flat washer GB/T97.1 5	2200700010000	2
32		Hexagon socket button head screws	2200301018000	2
33	2DB620	Dashboard - Instrumental Panel Cover	2300400800000	1
34	2DB610	Dashboard - BEIGE UPPER BEIGE f	2300400157000	1
35		Hexagon socket button head screws	2200301017000	3
36		Flat washer	2200700017000	3
37		M8 x 20 Cross recessed pan head tapping screw GB/T845 ST4.8*20	2200500007000	20
38	2DB590	Dashboard Lower	2300400158000	1
39	2DB700	Steering column cover	2300800068000	1
40	2GV070	Storage box cover	2300806012A00	1
41	2GV050	Storage box cover hinges	2202200006B00	1
42	2RP450	Open flat circle cap self-plugging rive	2201000002000	8
43	2GV061	Storage box cover lock & Key	2202000012A10	1
44	2DB550	Dashboard left cover	2300402600A00	1
45	2DB570	Dashboard mid cover	2300402700A20	1
46	2DB580	Dashboard right cover	2300402800A20	1
47	2ST141	Steering column cover box	2300901004000	1
48	2DB710	Steering column decorating cover	2300402400A00	1
49	2DB630	Electric lock cover board	2207300075B00	1
50		EVA cutting flat bar	2302605087000	4
51	2DB632	Oil can install board / cover for M-Series	2207300073B00	1
52		Glass sealer	9604001022000	4
53		Sun screen	2501905001000	1
n/a	2CP060	Cupholder	2303301007000	1

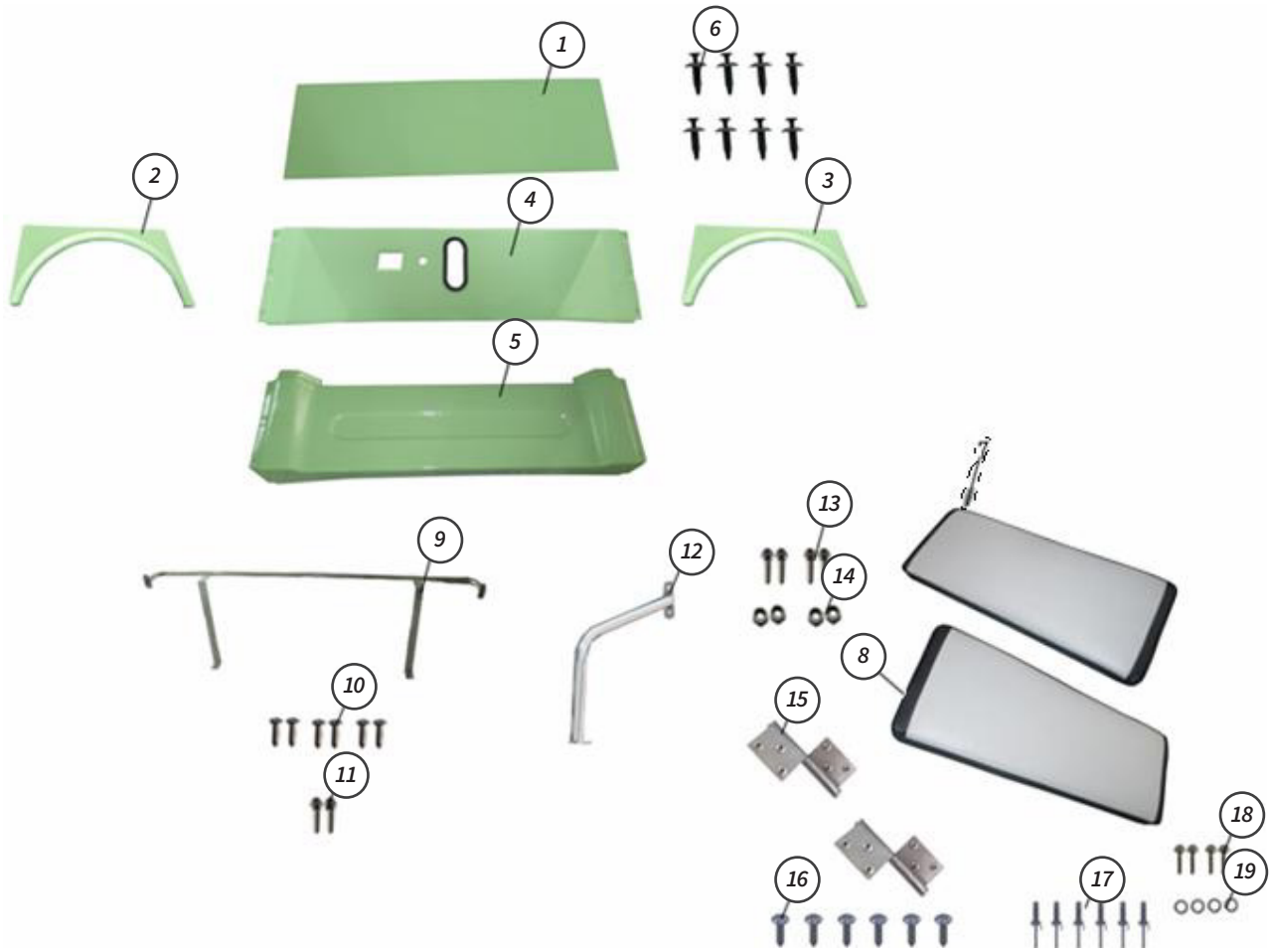
7 Roof and Uprights Accessories



Item No.	STAR EV Part No.	Description	MPN	Qty
1	2RF460	Integral fiberglass roof	2400300201B00	1
2		Integral roof frame assembly	2207201087B00	1
3	2RF451	Plastic inner roof	2302500838B00	1
4	2RF461	Rear tail plastic inner roof	2302500943B00	1
5		Hexagon socket button head screws	2200301013000	10
6		Flat washer	2200700017000	10
7		M6 spring washer GB/T93,6	2200701010000	10
8		Rubber washer	2301908004000	10
9		M6 A2-70 SS Acorn nut for SIRIUS **2200402003000	2200402003000	10
10	2RF452	Plastic nail	2301700007000	20
11		M8 x 25 Cross recessed pan head tapping screw GB/T845 ST4.8*25 F-H A2-70	2200500005000	16
12	2BK610	B column bar male left	2208200001B00	1

13	2BK611	B column bar male right	2208200002B00	1
14	2BK612	B column bar female	2208200002B00	2
15		Cross recess pan head screw	2200304023000	12
16	2RP400	Front guard bar left	2208200028B00	1
17	2RP401	Front guard bar right	2208200079B00	1
18	2RP450	Open flat circle cap self-plugging rivet (5 x 25)	2201000006000	8
19	2RP402	Middle guard bar left	2208200003B00	1
20	2RP403	Middle guard bar right	2208200080B00	1
21	2RP451	Open flat circle cap self-plugging rivet (5 x 20)	2201000001000	12
22	2RP450	Open flat circle cap self-plugging rivet (5 x 25)	2201000006000	12
23	2RP404	Rear guard bar left	2208200004B00	1
24	2RP405	Rear guard bar right	2208200081B00	1
25	2RP450	Open flat circle cap self-plugging rivet (5 x 25)	2201000006000	12
26		B column support left	2207200073B00	1
27	2BK613	B column support right	2207200074B00	1
28		B column rubber washer	2301903008B00	4
29		Hexagon socket button head screws	2200301020000	8
30		M8 A200 SS Flat washer for SIRIUS **2200700021000	2200700021000	8
31		M8 SPRING WASHER for SIRIUS **2200701012000	2200301008000	8
32		C column connecting tube	2208400098B00	2
33		Hexagon socket button head screws	2200301008000	8
34		M10 FLAT WASHER *ROOF HARDWARE* GB/T97.2 10 A200	2200700028000	8
35		M8 SPRING WASHER for SIRIUS **2200701012000	2200701012000	8
36		Cap nut	2200402001000	8
37	2BK600	C column support left	2207200291B20	1
38	2BK601	C column support right	2207200292B20	1
39		Hexagon socket button head screws	2200301018000	2
40		Hexagon socket button head screws	2200301022000	6
41		Flat washer	2200700025000	10
42		M8 SPRING WASHER for SIRIUS **2200701012000	2200701012000	6
43		M8 A2-70 SS Lock Nut for SIRIUS **2200401003000	2200401003000	2
44		M10 x 70 Hex bolt GB/T5783-2000 *2200100060000	2200100060000	6
45		M10 FLAT WASHER *ROOF HARDWARE* GB/T97.2 10 A200	2200700028000	12
46		Lock washer	2200701013000	6
47		M10 x 1.5 Zinc plated **2200400009000	2200400009000	6
48		Hexagon socket button head screws	2200301027000	3
49		M8 A200 SS Flat washer for SIRIUS **2200700021000	2200700021000	3
50		Flat washer	2200700072000	3
51		M8 x 25 Hexagon socket flat round head screw-M8*25 A2-70	2200301023000	2
52		Flat washer	2200700072000	2
53		M8 SPRING WASHER for SIRIUS **2200701012000	2200701012000	2
54		Hexagon socket button head screws	2200301011000	2

8 Driver Seat Accessories



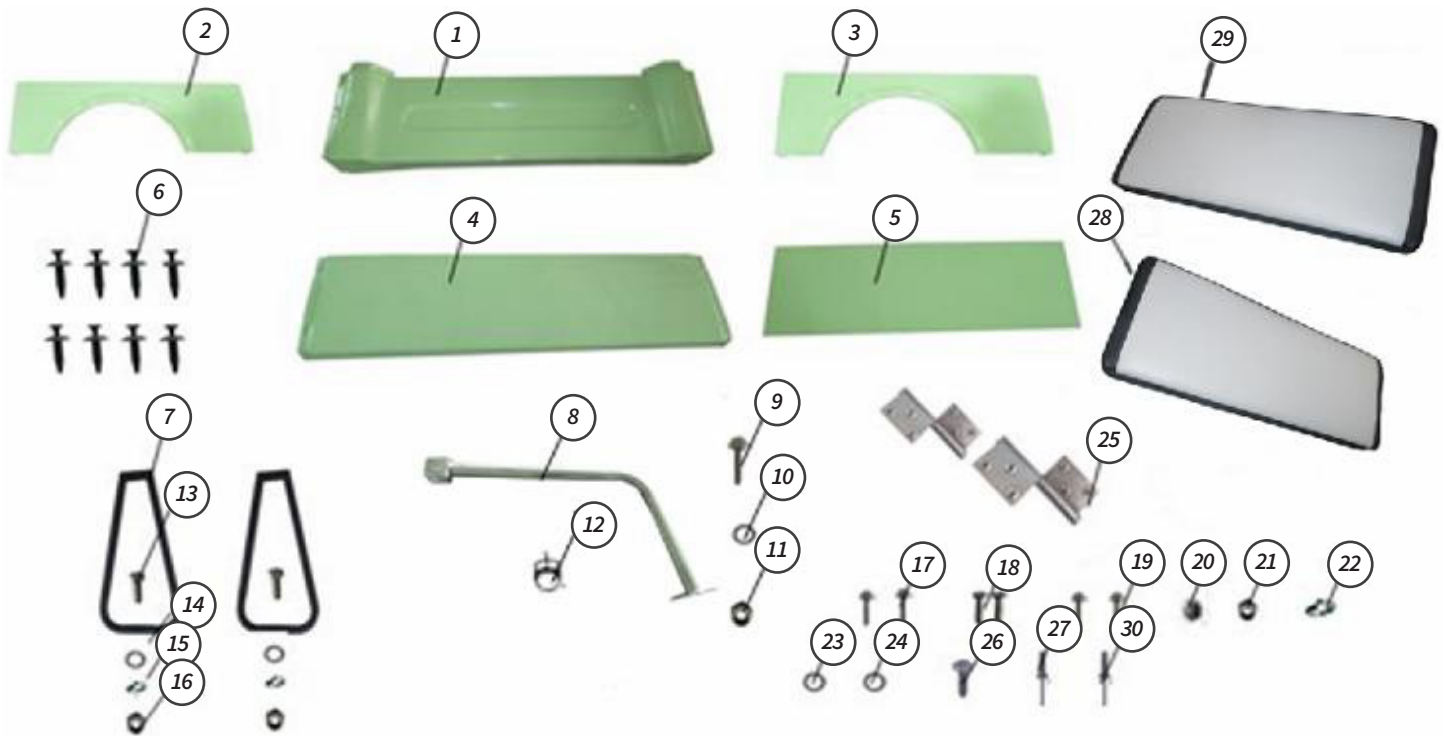
Item No.	STAR EV Part No.	Description	MPN	Qty
1	2PS400	Cab seat upper plaque	2300407902B00	1
2	2PS401	Cab seat left plaque	2300408050B00	1
3	2PS402	Cab seat right plaque	2300408100B00	1
4	2PS403	Cab seat front plaque	2300408202B00	1
5	2PS404	Cab seat rear plaque	2300408302B00	1
6		Black plastic nail with Screw insert 6.2mm 041056	2301700011000	8
7	2CS390	Driver seat bottom	2501500125A20	1
8	2CS391	Driver seat back	2501504056A00	1
9	2CS392	Driver seat back holder	2207200071B30	1
10		Flathead screw	2200302021000	6
11		Hexagon socket button head screws	2200301008000	2
12	2CS393	Driver seat handrail	2202600096A00	2
13		Hexagon socket button head screws	2200301022000	4
14		M8 A2-70 SS Lock Nut for SIRIUS **2200401003000	2200401003000	4
15	2HG040	Hinge - Seat	2202200001000	2
16		M8 x 25 Cross recessed pan head tapping screw GB/T845 ST4.8*25 F-H A2-70	2200500005000	6
17	2RP450	Open flat circle cap self-plugging rivet 5*20	2200304010000	6
18		Cross recess pan head screw	2200304010000	16
19		M6 304SS Flat washer for SIRIUS **2200700088000	2200700088000	16

9 Second and Third Row Seats



Item No.	STAR EV Part No.	Description	MPN	Qty
1	2PS411	Second, third row seat left side plaque	2300408400B00	2
2	2PS412	Second, third row seat right side plaque	2300410100B00	2
3	2PS413	Second, third row seat front plaque	2300408502B00	2
4	2PS414	Second, third row seat rear plaque	2300410202B00	2
5	2HD020	Black plastic nail with Screw insert 6.2mm	2301700011000	16
6	2PS420	Handrail steel frame (second, third row)	2202600026B00	2
7	2CS395	Passenger seat bottom	2501500126A20	2
8	2CS396	Passenger seat back	2501504055A00	2
9		Hexagon socket button head screws	2200301021000	8
10		Hexagon socket button head screws	2200301004000	18
11		Flat washer	2200700017000	18
12		Flathead screw	2200302018000	12
13		M8 A2-70 SS Lock Nut for SIRIUS **2200401003000	2200401003000	12
14		M8 A200 SS Flat washer for SIRIUS **2200700021000	2200700021000	12
15	2HG040	Hinge - Seat	2202200001000	4
16		M8 x 25 Cross recessed pan head tapping screw GB/T845 ST4.8*25 F-H A2-70	2200500005000	6
17	2RP450	Open flat circle cap self-plugging rivet 5*20	2201000001000	6
18		Open flat circle cap self-plugging rive	2201000017000	4

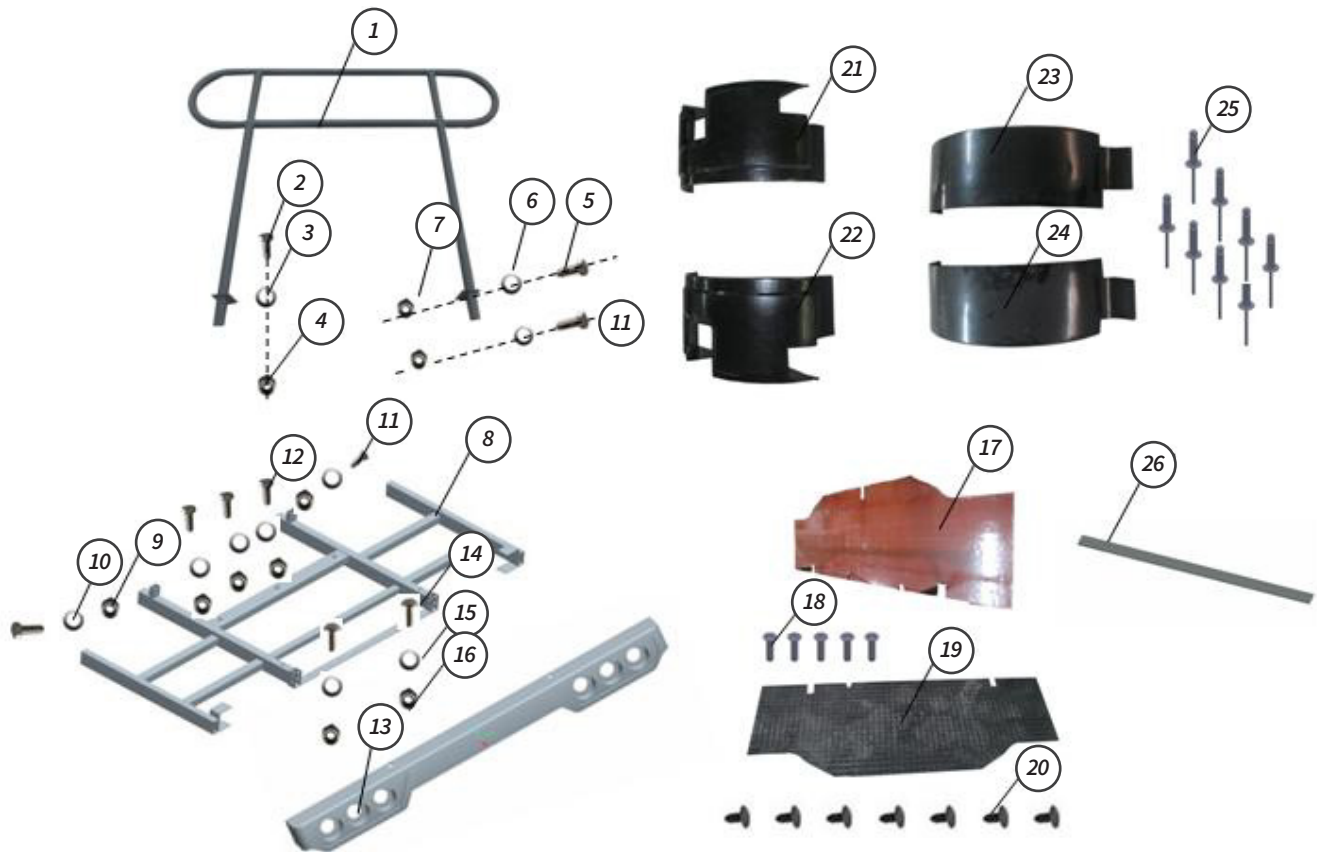
10 Fourth and Fifth Row Seats



Item No.	STAR EV Part No.	Description	MPN	Qty
1	2PS413	Second, third row seat front plaque	2300408502B00	1
2	2BD401	Rear seat plaque (driver side)	2300408600B00	1
3	2BD400	Rear seat plaque (passenger side)	2300408700B00	1
4	2PS415	Rear seat plaque (back)	2300408800B00	1
5	2BD402	Rear seat plaque (top battery cover)	2300408902B00	1
6	2HD020	Black plastic nail with Screw insert 6.2mm	2301700011000	8
7	2CS389	Fourth, fifth row seat back holder	2202600033B00	2
8	2PS421	Fifth row handrail	2202600027B00	2
9		Hexagon socket button head screws	2200301021000	12
10		M8 A200 SS Flat washer for SIRIUS **2200700021000	2200700021000	12
11		M8 A2-70 SS Lock Nut for SIRIUS **2200401003000	2200401003000	8
12		Cap nut	2200402001000	8
13		Hexagon bolt	2200100049000	4
14		M10 FLAT WASHER *ROOF HARDWARE* GB/T97.2 10 A200	2200700028000	8
15		Lock washer	2200701013000	4
16		M10 x 1.5 Zinc plated **2200400009000	2200400009000	4
17		Hexagon socket button head screws	2200301021000	2
18		Cross recess pan head screw	2200304018000	2
19		M8 x 25 Hexagon socket flat round head screw -M8*25 A2-70	2200301023000	2
20		M6 A2-70 SS Acorn nut for SIRIUS **2200402003000	2200402003000	2
21		M8 A2-70 SS Lock Nut for SIRIUS **2200401003000	2200700021000	4
22		M6 spring washer GB/T93,6	2200701010000	2
23		Flat washer	2200700017000	4
24		M8 A200 SS Flat washer for SIRIUS **2200700021000	2200700021000	8

25	2HG040	Hinge - Seat	2202200001000	4
26		M8 x 25 Cross recessed pan head tapping screw GB/T845 ST4.8*25 F-H A2-70	2200500005000	12
27	2RP450	Open flat circle cap self-plugging rivet 5*20	2201000001000	12
28	2CS395	Cushion - Bottom (4th and 5th Row) (Gray/Black)	2501500126A00	2
29	2CS396	Cushion - Back Rest 2nd or 3RD ROW (Gray/Black)	2501504055A00	2

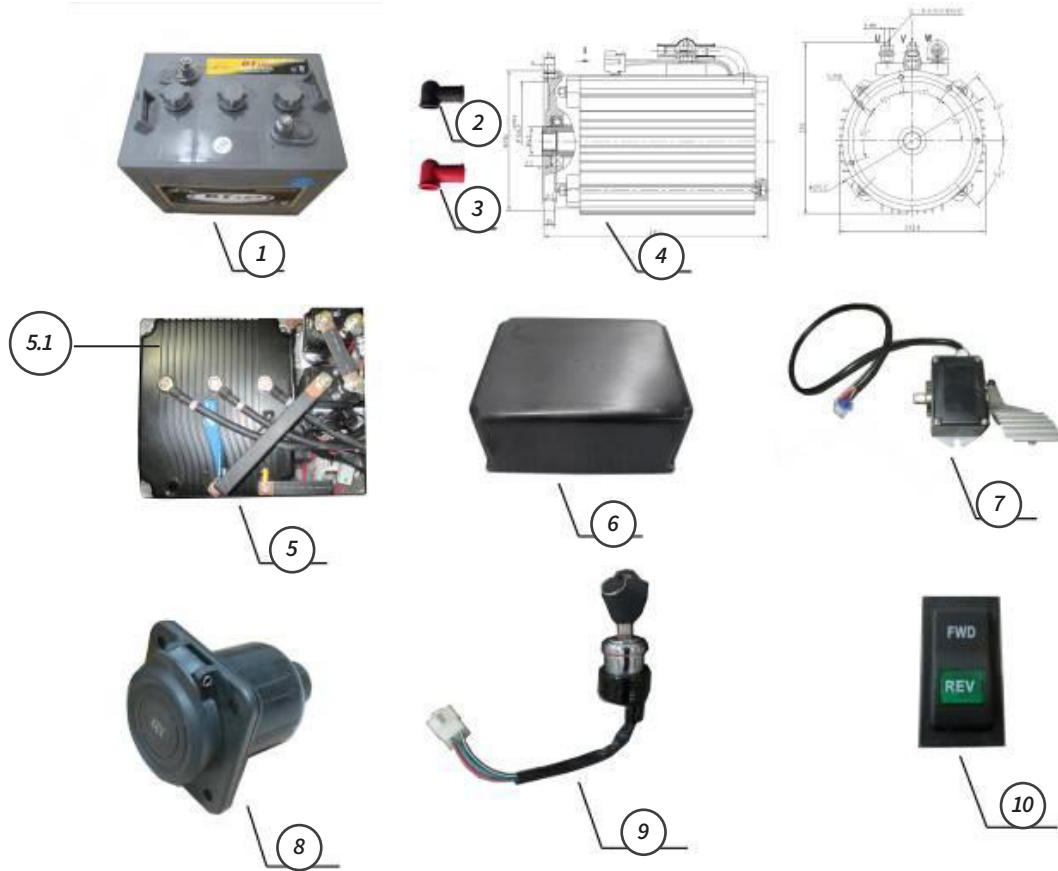
11 Rear Accessories



Item No.	STAR EV Part No.	Description	MPN	Qty
1	2FP010	Rear armrest frame assembly	2202600097A20	1
2		Hexagon bolt	2200100049000	2
3		M10 FLAT WASHER *ROOF HARDWARE* GB/T97.2 10 A200	2200700028000	4
4		M10, Nylon lock nut, zinc plated **2200401010000	2200401010000	2
5		Hexagon bolt	2200100004000	4
6		M8 Flat Washers GB/T97.2 8	2200700023000	8
7		M8 HEXAGON LOCK NUT Non-metallic insert	2200401008000	4
8		Rear tail plate	2207300632A20	1
9		Nonmetal insert hexagon lock nut	2200401013000	5
10		Flat washer	2200700030000	10
11		Hexagon bolt	2200100030000	2
12		Hexagon bolt	2200100149000	3
13	2BR580	Rear bumper assembly	2902700498B00	1
14		Cross recess pan head screw	2200304018000	2
15		Flat washer	2200700016000	4
16		Nonmetal insert hexagon lock nut	2200401001000	2
17		Bamboo plywood	2300401001000	2
18		Cross countersunk head self-drilling screw with tapping screw	2200300068000	80
19	2BD420	Step plate	2302600047000	3
20		Plastic Staple	2301700003000	15

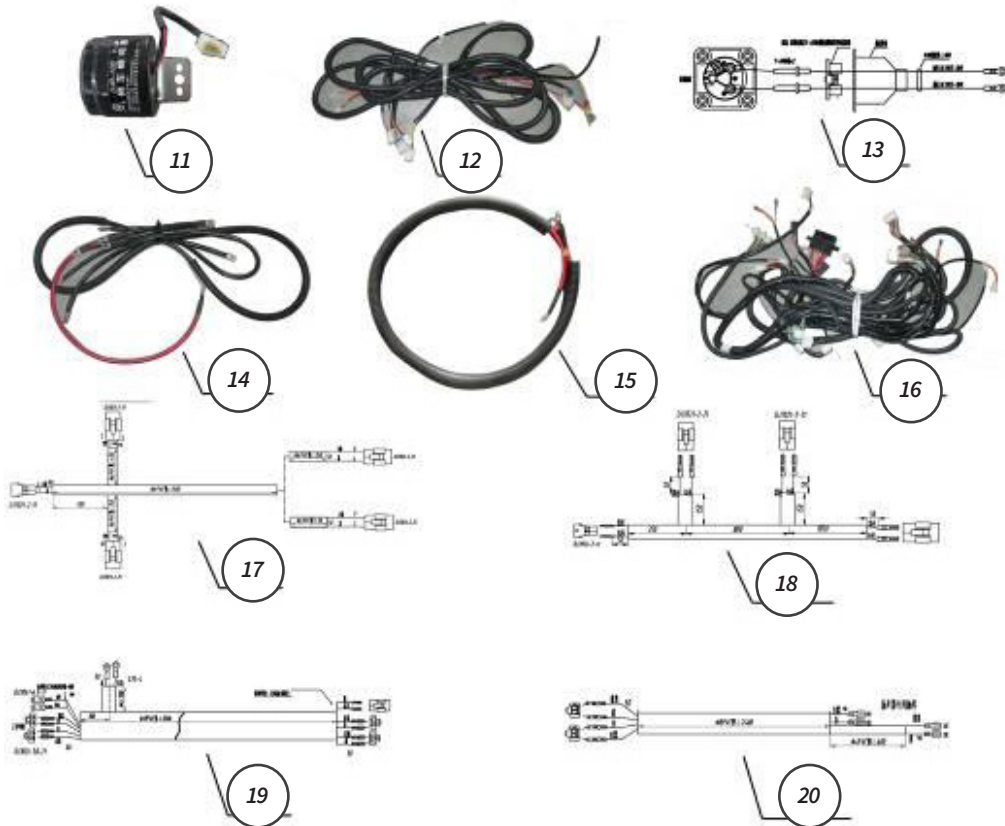
21		Front fender left	2302301300B00	1
22		Front fender right	2302301400B00	1
23	2FN700	Driver rear fender	2302301500B00	1
24	2FN701	Passenger side rear fender	2302301600B00	1
25		Open flat circle cap self-plugging rive	2201000017000	14
26	2BD715	FOAM (4 meters) padding around the top of the rear body	2302605041000	20m

12-1 Electric Accessories, A



Item No.	STAR EV Part No.	Description	MPN	Qty
1		DT106E	2100101021000	12
2	2BT402	Terminal cap	2301902002000	12
3	2BT404	Terminal cap	2301902001000	12
4	2MO350	Motor - (AC) 7.5KW - type XYQ-7.5 - 3AHV	2101903002000	1
5	2CN120	Controller assembly	2901501001000	1
5.1	2CN122	Controller; Curtis, 1238E-6521, 550A; Only AC controller	2101701016000	1
6		Controller cover	2209000020A00	1
7	2AC300	Accelerometer assembly	2902800015B00	1
8	2RC060	Charging receptacle	2100600035000	1
9	2SW290	Ignition switch with keys	2101500006000	1
9-A	2KY290	Blank key for unique ignition	2202003003000	1
10	2SW430	Forward/reverse switch	2101400046000	1

12-2 Electric Accessories, B



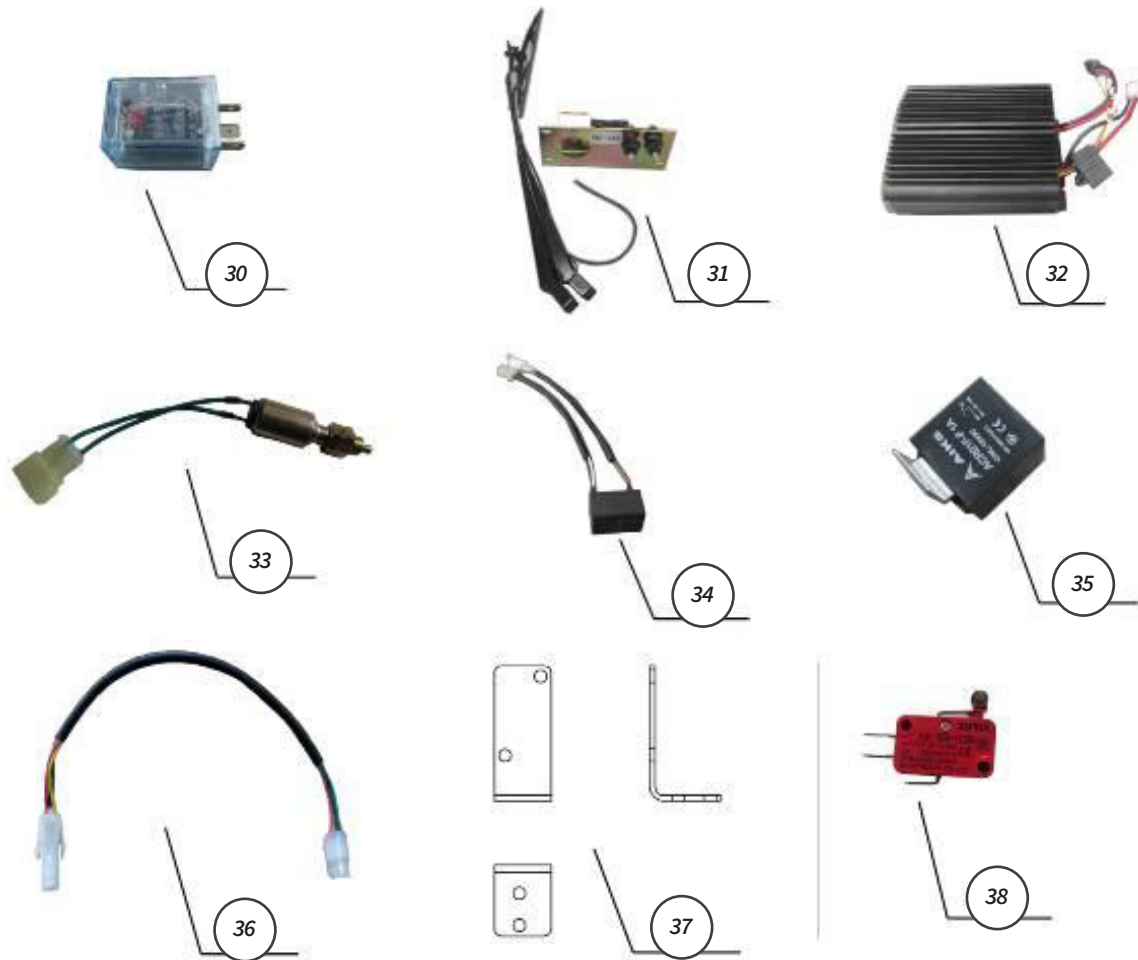
Item No.	STAR EV Part No.	Description	MPN	Qty
11		Reversing buzzer components	2902400009B00	1
12		Power control wiring harness	2901705143A00	1
13		Charging cable	2901702028B00	1
14		Battery connecting cable	1961990290000	1
15		Battery connecting cable	1961990280000	1
16		Lighting wiring harness	2901704077A20	1
17	2WH320	Rear wheel eyebrow connecting cable	2901711062A00	1
18	2WH331	Rear roof light connecting cable	2901711063A00	1
19	2WH342	Rear loudspeaker Embedded cable	2901711064A10	1
20		Rear transfer switch cable	2901711065A10	1

12-3 Electric Accessories, C



Item No.	STAR EV Part No.	Description	MPN	Qty
21	2MT280	Combination dash	2100200039000	1
22	2SW380	Combination switch	2101400025000	1
23	2LT310	Headlight assembly	2901800060B00	2
24	2LT320	Turn signal light assembly	2901800026B00	2
25	2LT321	Turn signal light	2100700045000	2
26	2LT311	Fog light assembly	2901800061B00	2
27	2LT307	Tail light assembly	2901800108B00	2
28	2LT306	Reverse assembly	2901800109B00	2
29	2SW210	Single tone electric horn	210600001000	1

12-4 Electric Accessories, D



Item No.	STAR EV Part No.	Description	MPN	Qty
30	2RL060	Flasher	2101603003000	1
31	2WP080	Wiper motor	2101902057000	1
	2WP081	Wiper blade	2303600008000	1
	2WP082	Wiper double arm (with spray nozzle and pipe)	2303600013000	1
32	2CV151	"DC converter, 40 Amp* MODEL LC-8135 INPUT 72v ==8.5a"	2101800018000	1
32	2CV152	Converter for Lighting system DCNI-7212-30 72V	2101800020000	1
33	2SW540	Brake light switch	2101400002000	1
34	2CV130	Power supply module components	2902900005C00	1
35	2RL050	Relay ACR01F-F10 or LCR01F-Fb-1A-DC-12V 10A-14VDC	2102602004000	1
36		Data line	2100400001B00	1
37		Micro switch fixed frame	2207200188B00	1
38	2SW552	Microswitch for Parking brake handle 2PB140	2101400001000	1

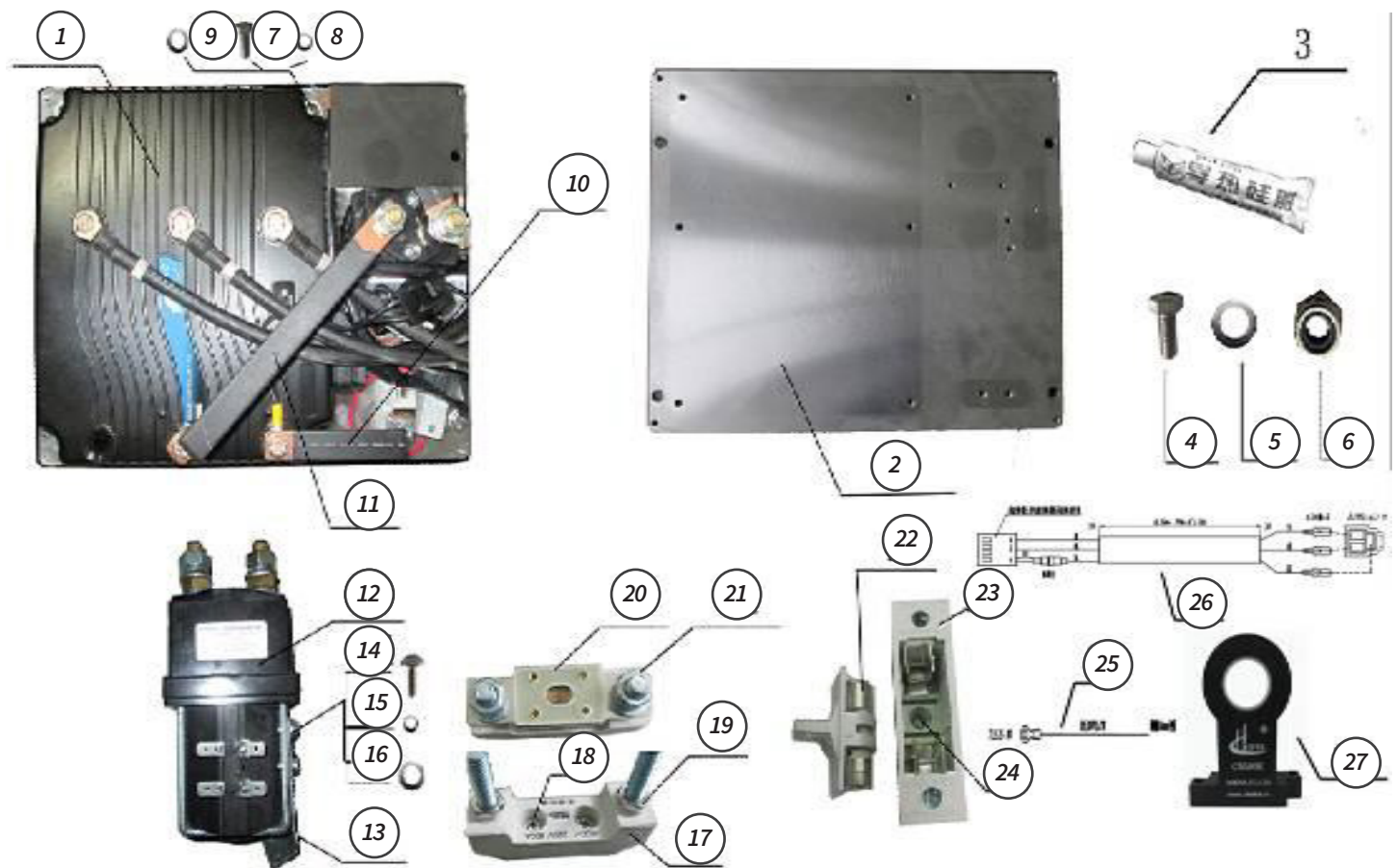
*If you have a 30 Amp, it is recommended to upgrade to 40 Amp

12-5 Electric Accessories, E



Item No.	STAR EV Part No.	Description	MPN	Qty
39	2RD054	Radio	2100300010000	1
40	2RD055	Integral loudspeaker	2101600021000	4
41		Twisted switch	1130700102000	1
42		Spray box	2303300004000	1
43	2RD180	Microphone w/ 1/4 plug (large) and mounting bracket for M-Series & JVC CD PLAYE	2100306001000	1
44		Recharge Stand mounting plate	2207300633A00	1
45		Motor connecting cable	1961990224000	1
46	2LT315	Side light with wires	2901800042A00	11

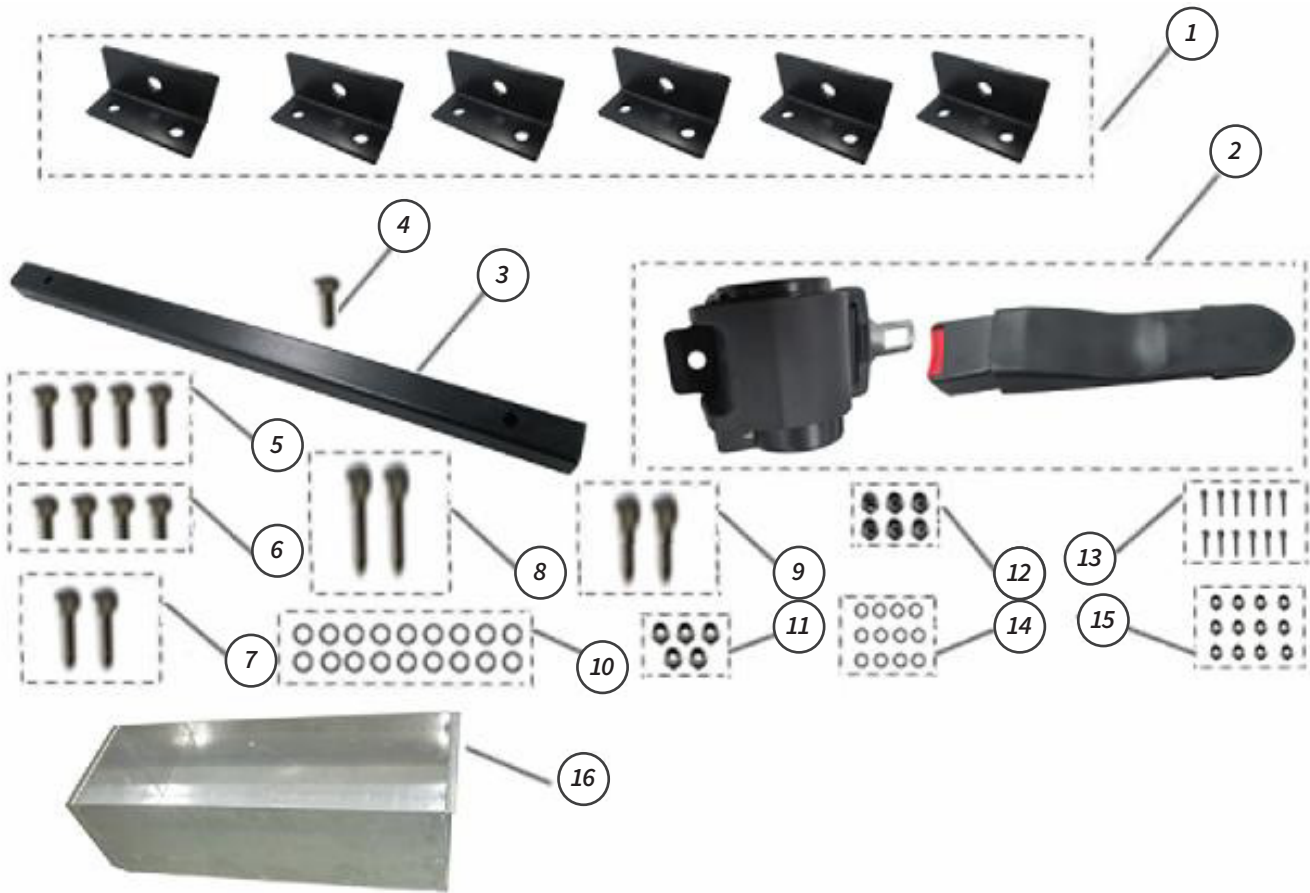
12-6 Electric Accessories, F



Item No.	STAR EV Part No.	Description	MPN	Qty
1		AC controller	2101701001000	1
2		Heat dissipation plate	2209200036A00	1
3	2CN948	PASTE - Heat PASTE for the controller on the SIRIUS / Capella	9603005002000	0
4		M8 x 30 Hexagon headed bolt GB/T5783,M8*30	2200100080000	4
5		M8 Flat Washers GB/T97.2 8	2200700023000	4
6		M8 HEXAGON LOCK NUT Non-metallic insert	2200401008000	4
7		Hexagon bolt	2200100002000	4
8		Lock washer	2200701009000	4
9		Flat washer	2200700014000	4
10		Copper connector 2	2209100030A00	1
11		Copper connector 2	2209100026A00	1
12	2SO291	Solenoid (72V) ZJW400A/ 72V (NONCHN)	2102300011000	1
13		Contacting fixing frame	2207200735A00	1
14		Cross recess pan head screw	1205211017000	4
15		Lock washer	2200701008000	6
16		Flat washer	2200700009000	6
17	2FU174	Fuse Holder for fuse 2FU170	1131550107000	1
18		Cross recess pan head screw	1205211018000	2
19		Hexagon thin nut	2200400033000	2
20	2FU330	Fuse - Main Fuse CNN-325A DC48V -S M-Series	2102601002000	2

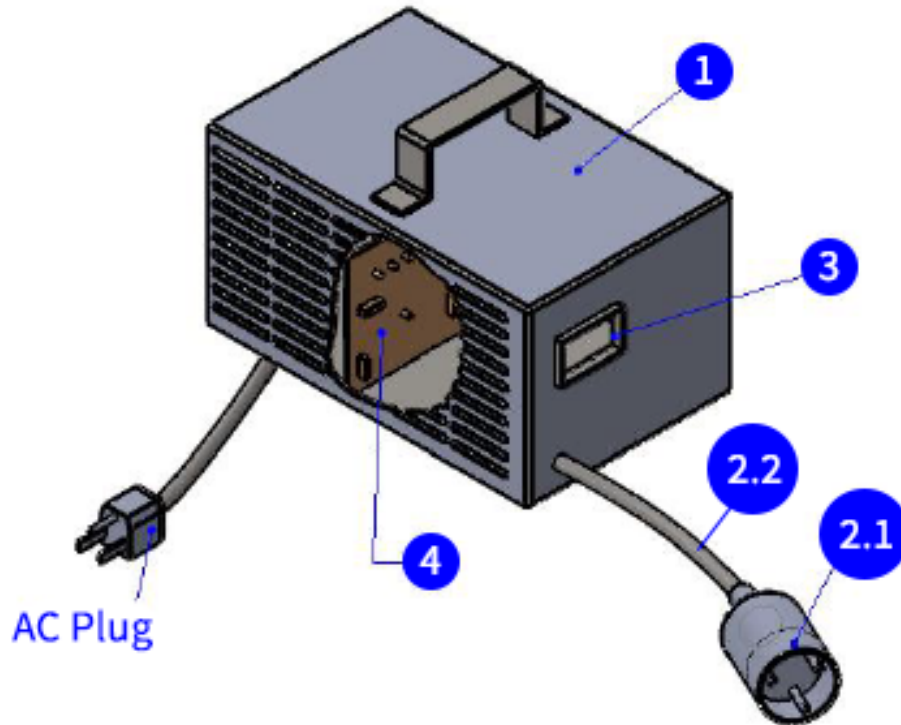
21		Hex nut	22004000200000	2
22	2FU170	400A Fuse ZEEMAN-400A DC48V	2303400009000	1
23	2FU121	Fuse-Holder-10A or 20A	2303400009000	1
24		Cross recess pan head screw	2200304067000	1
25	2CN989	Cable Assembly (contacts the controller w/fuse) 72V 550A controller	2901712035A00	1
26	2MT262	Wire connector for Current Sensor	2901711079B00	1
27	2MT261	Current sensor (CT module) for M-Series (may require 2MT262)	2102700013000	1

13 Seat Belt Assembly and Storage Box



Item No.	STAR EV Part No.	Description	MPN	Qty
1		Seat belt fixing base	2208100142A00	6
2	2SB040	Two point seat belt	2501304017000	14
3		Seat belt fitting tube	2208100143A20	1
4		Hexagon bolt	2200100115000	1
5		M10 x 60 Hex bolt - Stainless Steel **2200100165000	2200100165000	4
6		Hexagon bolt	2200100020000	4
7		Hexagon bolt	2200100145000	2
8		Hexagon bolt	2200100049000	2
9		Hexagon bolt	2200100018000	2
10		M10 FLAT WASHER *ROOF HARDWARE* GB/T97.2 10 A200	2200700028000	18
11		Hexagon lock nut with nylon insert*ROOF HARDWARE* GB/T889.1,M10,A2-70	2200401011000	5
12		Cap nut	2200402004000	6
13		Hexagon bolt	2200100103000	12
14		M8 A200 SS Flat washer for SIRIUS **2200700021000	2200700021000	12
15		M8 A2-70 SS Lock Nut for SIRIUS **2200401003000	2200401003000	12
16		Storage box	2208701026A00	1

14 DPI Charger



Item No.	STAR EV Part No.	Description	Remark	Qty
1	2CH072	DPI 72 V charger, 120 V		1
	2CH722	DPI 72 V charger, 220 V	220 V, 50 Hz	
2.1	2PG172	DPI male plug ONLY, green, Gen. IV		1
2.1 + 2.2	2CR072	9 ft DC 72 V output cord, green plug, Gen. IV		1
	2CR720	9 ft DC 72 V output cord, green plug, Gen. III and earlier		
3	2MT240	DPI charger AMP meter		1
4	2BI720	DPI control board, 72 V, 110 V	110 V, 60 Hz	1
	2BI721	DPI control board, 72 V, 220 V	220 V, 50 Hz	
	2BI172	DPI board kit for 72 V charger, no relay, Gen. IV		
AC Plug	2CR120	120 V AC input cord for Gen. IV charger	lpcj0038-l001830	1
	2CR230	230 V AC input cord for Gen. IV charger	lpcj0039-l001830	