

Search with **Ctrl-F** (PC) or **Command-F** (Mac) to quickly find what you're looking for.



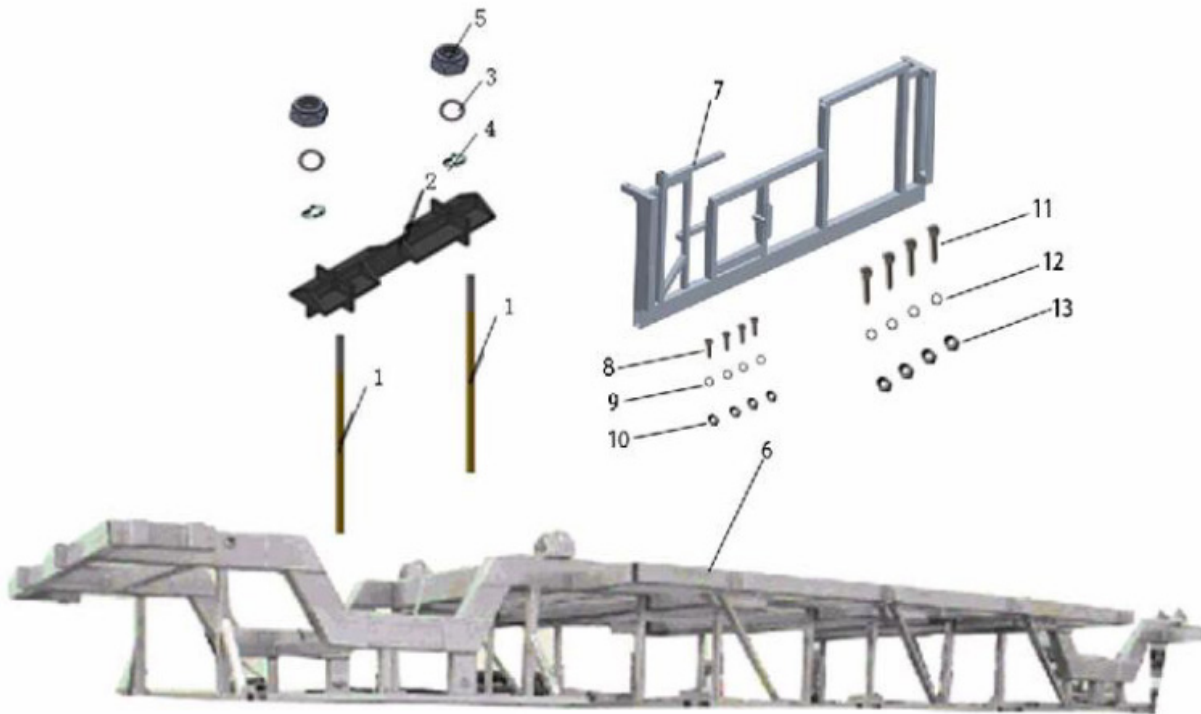
M-Series Parts Manual

BN72-23-AC-ADS-M

Contents

1	Chassis and Battery Installing Accessories	3
2	Front Axle Accessories	4
2-1	Front Axle Accessories - ZQ Version	6
3	Rear Axle Accessories	8
3-1	Rear Axle Accessories - ZQ Version	10
4	Steering System Assembly	12
5	Brake System	14
6	Front Body Assembly	16
7	Roof and Upright Install Accessories	18
7-1	Mid 2023 and Newer Upright Install Accessories	20
8	Driver Seat Accessories	22
8-1	New Driver Seat Accessories (Mid 2023 and Newer)	24
8-2	New Driver Seat Accessories (Mid 2023 and Newer)	25
9	Second, Third, and Fourth Row Seat Accessories	27
9-1	Second, Third and Fourth Row Seat Accessories Mid 2023 and Newer	23
10	Fifth and Sixth Row Seat Accessories	29
10-1	Fifth and Sixth Row Seat Accessories (Mid 2023 and Newer)	32
11	Rear Seat Accessories	33
12	Electric Accessories	35
13	Electric Accessories 2	37
14	Controller Accessories	39
15	DPI Charger	40

1 Chassis and Battery Installing Accessories



Item No.	STAR EV Part No.	Description	MPN	Qty
1		Battery tighten screw	2200200002B00	12
2		Battery pressing plate	2300400001C00	6
3		Flat washer	2200700023000	12
4		Spring washer	2200701011000	12
5		Plain hex nut	2200400012000	12
6		Chassis	2207400029A20	1
7		Dashboard support	2207200713A30	1
8		Hexagon bolt	2200100066000	4
9		Flat washer	2200700021000	8
10		Nonmetal insert hexagon lock nut	2200401003000	4
11		Hexagon bolt	2200100079000	4
12		Flat washer	2200700030000	8
13		Nonmetal insert hexagon lock nut	2200401013000	

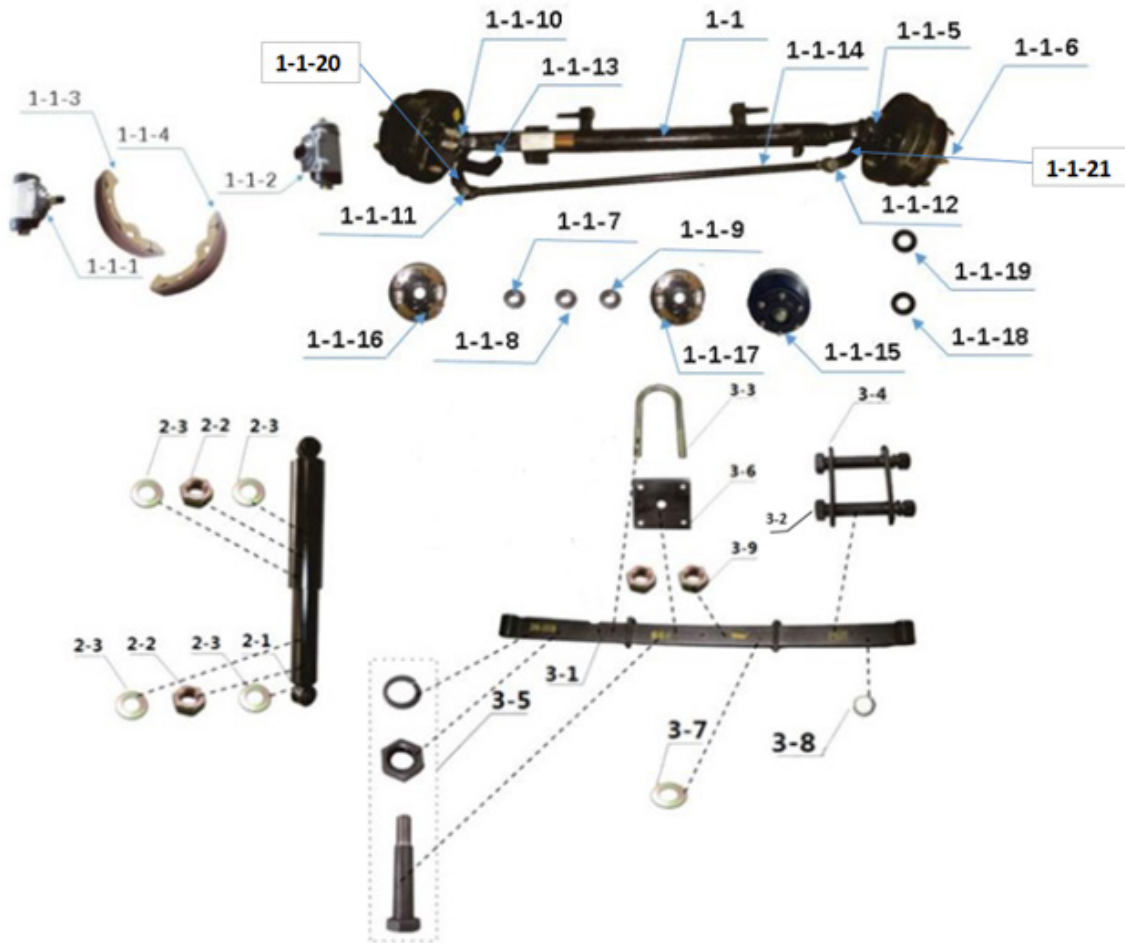
2 Front Axle Accessories



Item No.	STAR EV Part No.	Description	MPN	Qty
1	2AX023	Front axle assembly for 23P M-Series only	2902700476A10	1
1-A	2AX023-T	Front axle assembly for 23P TRAM only	2204200027000	
2	2LE400	Front leaf spring assembly	2204010032A10	2
3	2CC145	Wheel cap	2302400014000	2
4	2RM916	FRONT Rim (Steel) for 23 P M-Series Bus	2205100064000	2
	2RM916B	REAR Rim (Steel) for 23 P M-Series Bus	3106042461	2
5	2TR265	Tire 195/70R 15C	2301400096000	2
6	2LF055	Plate spring fixing bolt	2200104028A20	2
7		Front leaf spring U type bolt	2200104024A00	4
8		Fixing plate for front leaf spring U type bolt	2207300219A00	2
9		Hex nut	2200400006000	12
10		Plate spring lifting lug assembly	2208605026A10	2
11		Flat washer	2200700034000	8

12	2SK271	Absorber assembly	2205300025000	2
13	2ST815	Steering rocking arm	2204700056000	1
14	2ST810	Driver side steering knuckle arm	2204700057000	1
15	2TI351	Ball pin assembly, right threaded	2202901003000	1
16	2BP020	Front brake assembly, driver side	2205500081000	1
17	2BP021	Front brake assembly, passenger side	2205500082000	1
18	2TI352	Ball pin assembly, left threaded	2205700005000	1
19	2ST811	Passenger side steering knuckle arm	2204700058000	1
21	2CY603	Front left wheel cylinder	2204300022000	2
22	2SH126	Front brake shoe, long pad	2204500029000	1
23	2BE201	Tapered roller bearing, 30207	2201200074000	2
24	2BE202	Tapered roller bearing, 30205	2201200073000	2
25	2CY603	Front right wheel cylinder	2204300032000	2
26	2SH125	Front brake shoe, short pad	2204500030000	1
27		Front wheel hub	2205200031000	2
28-A	2OL204	Front outer wheel oil seal (Dimensions: 45*72*12)	2301300025000	2
28-B	2OL201	Front inner wheel oil seal (Dimensions: 60*82*12)	2301300026000	2

2-1 Front Axle Accessories - ZQ Version



Item No.	STAR EV Part No.	Description	MPN	Qty
1		Front axle and installing assemblies	2204200030A10	1
1-1		Front axle assembly	2204300068000	1
1-1-1		Brake cylinder (front driver side)	2204300069000	2
1-1-2		Brake cylinder (front passenger side)	2204500076A00	2
1-1-3		Brake shoes driver side	2204500077A00	1
1-1-4		Brake shoes passenger side	2200406083000	1
1-1-5		Horn slotted nuts	2200406084000	2
1-1-6		Wheel nuts	2201200246000	12
1-1-7		Bearing 1 (front axle)	2201200247000	1
1-1-8		Bearing 2 (front axle)	2201200248000	1
1-1-9		Bearing 3 (front axle)	2201802131000	1
1-1-10		Driver and passenger side spindle assembly	2202900025000	1
1-1-11		Tie rod ball head (driver side)	2202900026000	1
1-1-12		Tie rod ball head (passenger side)	2204700138000	1
1-1-13		Steering knuckle arm	2204800114000	2
1-1-14		Tie rod assembly	2205200062000	1
1-1-15		Front hubs	2205500142000	2

1-1-16		Brake backing plate (front driver side)	2205500143000	1
1-1-17		Brake assembly (front passenger side)	2301300072000	1
1-1-18		Oil Seal 1 (Front Axle)	2301300073000	2
1-1-19		Oil Seal 2 (Front Axle)		2
1-1-20		Steering Knuckle Arm - Driver Side		1
1-1-21		Steering Knuckle Arm - Passenger Side	2905403002000	1
2		Front shock absorber and mounting accessories	2205300025001	1
2-1		shock absorber	2200400006000	2
2-2		Hexagon nuts	2200700034000	4
2-3		Flat washers	2905405002000	8
3		Leaf springs and mounting accessories	2200104059010	1
3-1		Front leaf spring assembly	2202500003000	2
3-2		Butter spout	2200104059010	8
3-3		Leaf spring U-bolts		4
3-4		Lifting lug assembly		2
3-5		Leaf spring fixing bolt restructured	2207300219A00	2
3-6		Front leaf spring U-bolt fixing plate	2200700034000	2
3-7		Flat washers	2200701018000	8
3-8		Spring-pads	2200400006000	8
3-9		Hexagon nuts		8

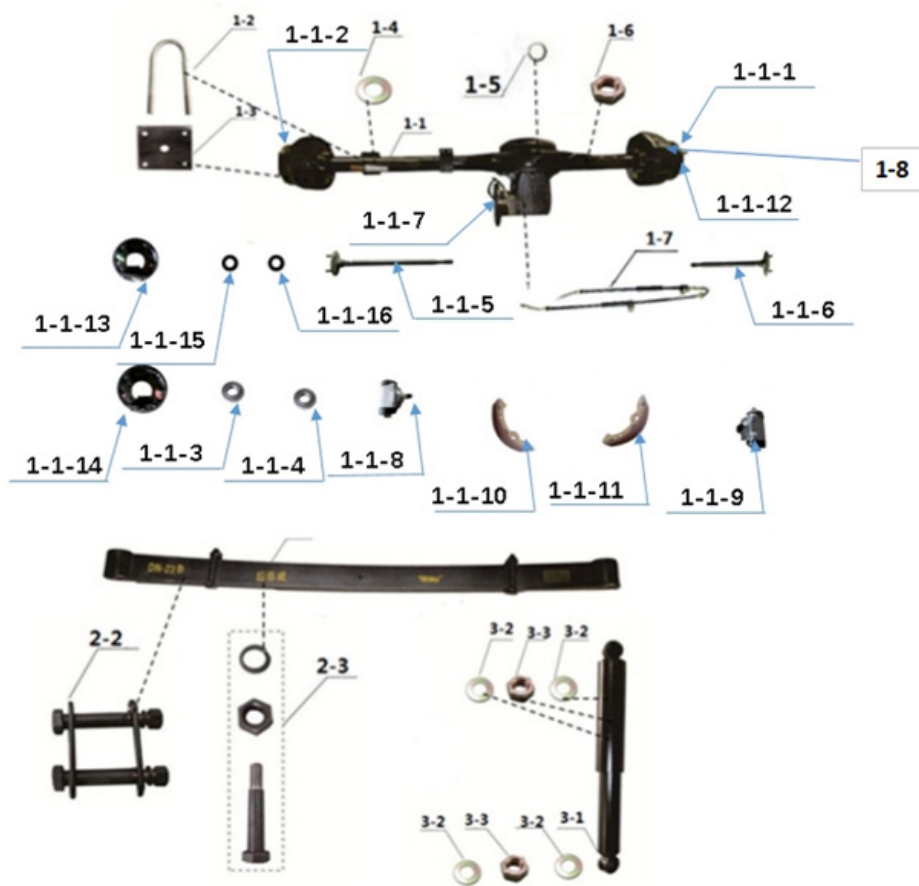
3 Rear Axle Accessories



Item No.	STAR EV Part No.	Description	MPN	Qty
1	2RE165	Rear axle assembly for 23P M-Series ONLY	2902700477A20	1
1-A	2RE165-T	Rear axle assembly for 23P TRAM ONLY	3105010104	1
2	2LF051	Rear leaf spring assembly	2204010031A10	2
3	2CC145	Wheel cap	2302400014000	2
4	2RM916B	REAR Rim (Steel) for 23 P M-Series Bus.	3106042461	2
	2RM916	FRONT Rim (Steel) for 23 P M-Series Bus	2205100064000	2
5	2TR265	Tire 195/70R 15C	2301400096000	2
6		Plate spring fixing bolt	2200104028A20	2
7		Rear leaf spring U type bolt	2200104008A00	4
8		Fixing plate for rear leaf spring U type bolt	2200104029A00	2
9		Hex nut	2200400006000	12
10		Plate spring lifting lug assembly	2208605026A10	2
11		Flat washer	2200700034000	8
12	2SK271	Absorber assembly	2205300025000	2
13	2OL202	Front half axle oil seal (Dimensions: 32*43*10)	2301300048000	2
14	2DM201	Rear brake drum	2205100083000	2
15	2BP022	Left rear brake assembly	2205500083000	1
16	2AX405	Axle shaft right	2201803021000	1
17	2AX406	Axle shaft left	2201803022000	1
18	2BP023	Right rear brake assembly	2205500047000	1
19	2CY603	Rear left wheel cylinder	2204300032000	1

20	2SH121	Rear brake shoe, long pad	2204500031000	1
21	2CB054	Rear hand brake line	2206900058000	1
22	2BE200	Tapered roller bearing, 32010	2201200136000	4
23	2SH122	Rear brake shoe, short pad	2204500032000	1
24	2CY603	Rear right wheel cylinder	2204300032000	1
25	2RR255	Reduction gearbox	2204100030000	1
26	2RR160-T	Rear axle cover / PLUG for 23P TRAM only	3302008975	1

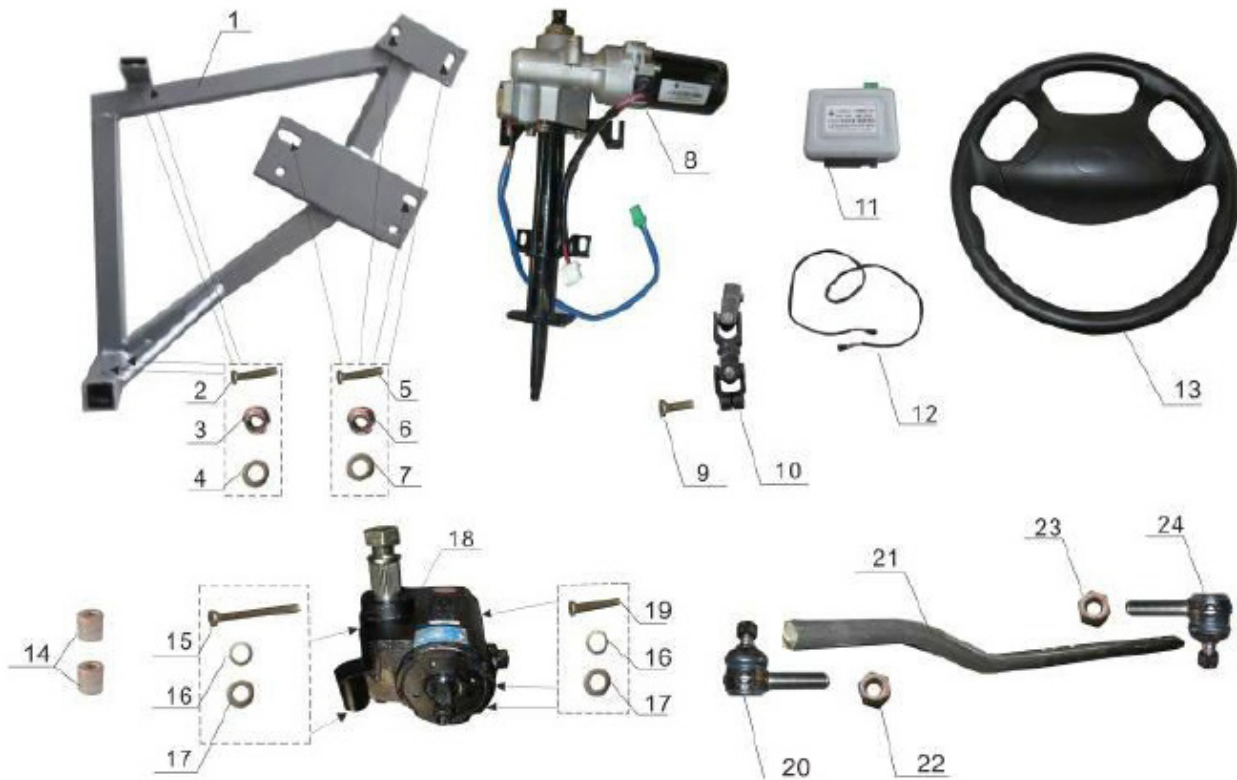
3-1 Rear Axle Accessories - ZQ Version



Item No.	STAR EV Part No.	Description	MPN	Qty
1		Rear axle and mounting accessories	2905404004000	1
1-1		Rear axle assembly	2204200031000	1
1-1-1		Left Wheel Nut	2200406085000	6
1-1-2		Right Wheel Nut	2200406086000	6
1-1-3		One shaft bearing	2201200249000	2
1-1-4		Two-axis bearings	2201200250000	2
1-1-5		Long shaft	2201803086000	1
1-1-6		Short Shaf	2201803087000	1
1-1-7		Main reducer	2204100119000	1
1-1-8		Brake cylinder (rear right)	2204300066000	1
1-1-9		Brake cylinder (rear left)	2204300067000	1
1-1-10		Brake shoes left	2204500078A00	1
1-1-11		Brake shoes right	2204500079A00	1
1-1-12		Hubcaps	2204504005000	2
1-1-13		Brake backing plate (rear driver side)	2205500155000	1
1-1-14		Brake assembly (rear passenger side)	2205500156000	1
1-1-15		Half shaft oil seal	2301300074000	2

1-1-16		One shaft oil seal	2301300075000	2
1-2		Rear leaf spring U-bolt	2200104008A20	4
1-3		Rear leaf spring U-bolt fixing plate	2200104029A00	2
1-4		Flat washers	2200700034000	8
1-5		Spring-pads	2200701018000	8
1-6		Hexagon nuts	2200400006000	8
1-7		Rear steel cable after braking	2206901030A00	1
1-8		Rear Brake Drum		2
2		Leaf springs and mounting accessories (add grease fitting)	2101016103	2
2-1		Rear leaf spring assembly	2200003278011	1
2-2		Lifting lug assembly		1
2-3		Leaf spring fixing bolt restructured		2
2-4		Butter spout	2200003278011	4
3		Shock absorbers and mounting accessories	2905403003000	2
3-1		Shock absorber assembly	2205300025001	1
3-2		Flat washers	2200700034000	2
3-3		Hexagon nuts	2200400006000	2

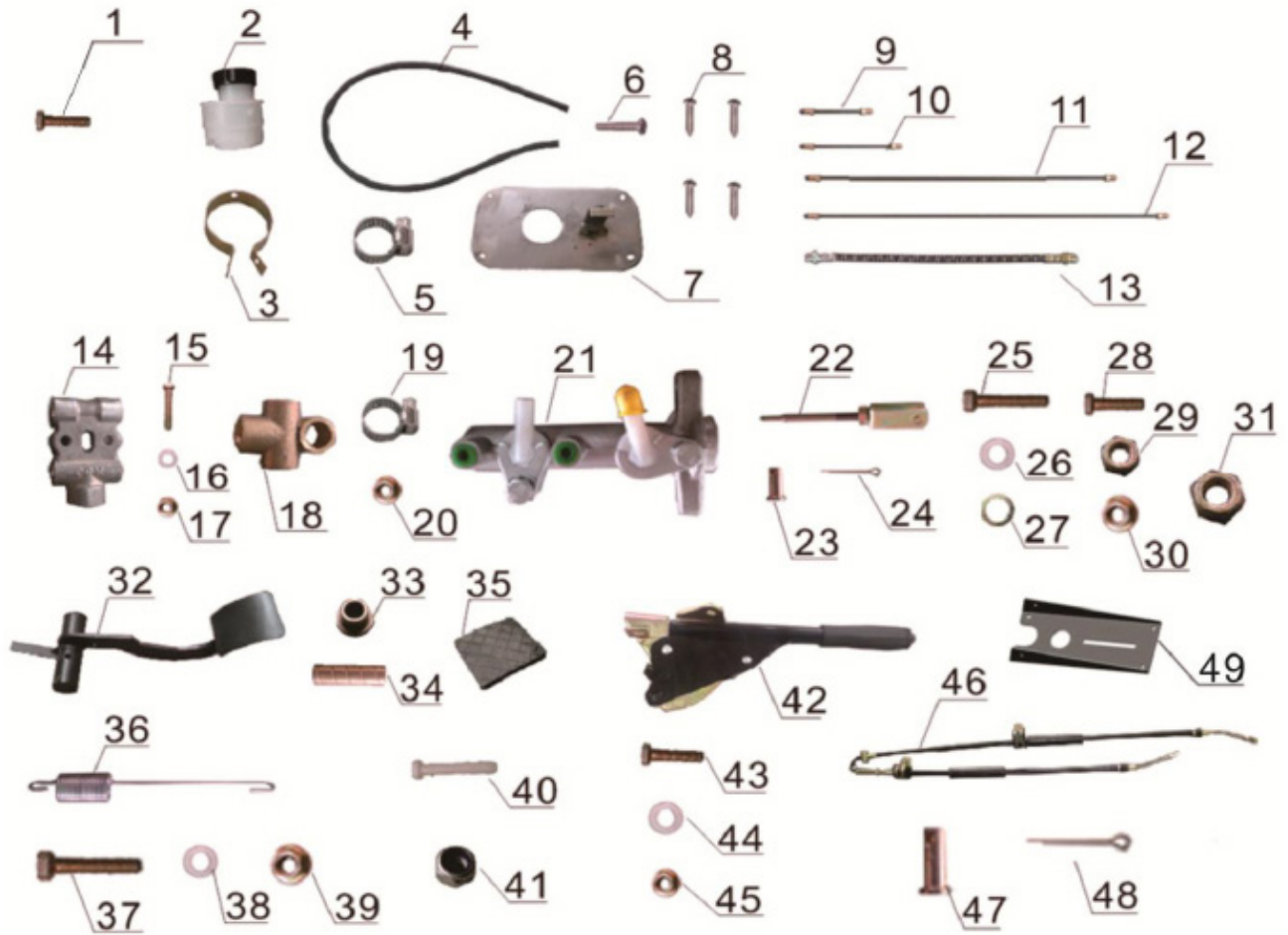
4 Steering System Assembly



Item No.	STAR EV Part No.	Description	MPN	Qty
1		Power assist system direction mounting bracket assembly	3304006397	1
2		Hexagon bolt	2200100099000	4
3		Nonmetal insert hexagon lock nut	2200401003000	4
4		Flat washer	2200700021000	4
5		Hexagon bolt	2200100080000	4
6		Nonmetal insert hexagon lock nut	2200401008000	4
7		Flat washer	2200700080000	4
8	2ST566	Electric power steering upper axle and mounting plate welding assembly	3101020019	1
9		Hexagon bolt	2200100080000	1
10	2ST567	Telescopic steering shaft	3101030029	1
11	2ST568	Steering controller	2101700063000	1
12	2ST569	Power steering connecting cable	2901711029000	1
13	2SL063	Steering wheel assembly	3101050005	1
14	2ST564	Steering gear box shaft sleeve	2208400331A00	2
15		Hexagon bolt	2200100027000	2
16		Spring washer	2200701015000	5
17		Flat washer	2200700030000	5
18	2ST565	Steering rack 2017 & Earlier	2207800005A00	1

18	2ST565-B	Steering rack 2017 to present	3101010041	1
19		Hexagon bolt	2200100077000	3
20	2TI351	Steering joint assembly	3307000971	1
21	2TI350	Steering tie rods	3101040043	1
22	2TI353	Hex nut for 2TI351, right threaded	2200400028000	1
23	2TI354	Hex nut for TI352, left threaded	2200400029000	1
24	2TI352	Steering joint assembly	3307000972	1

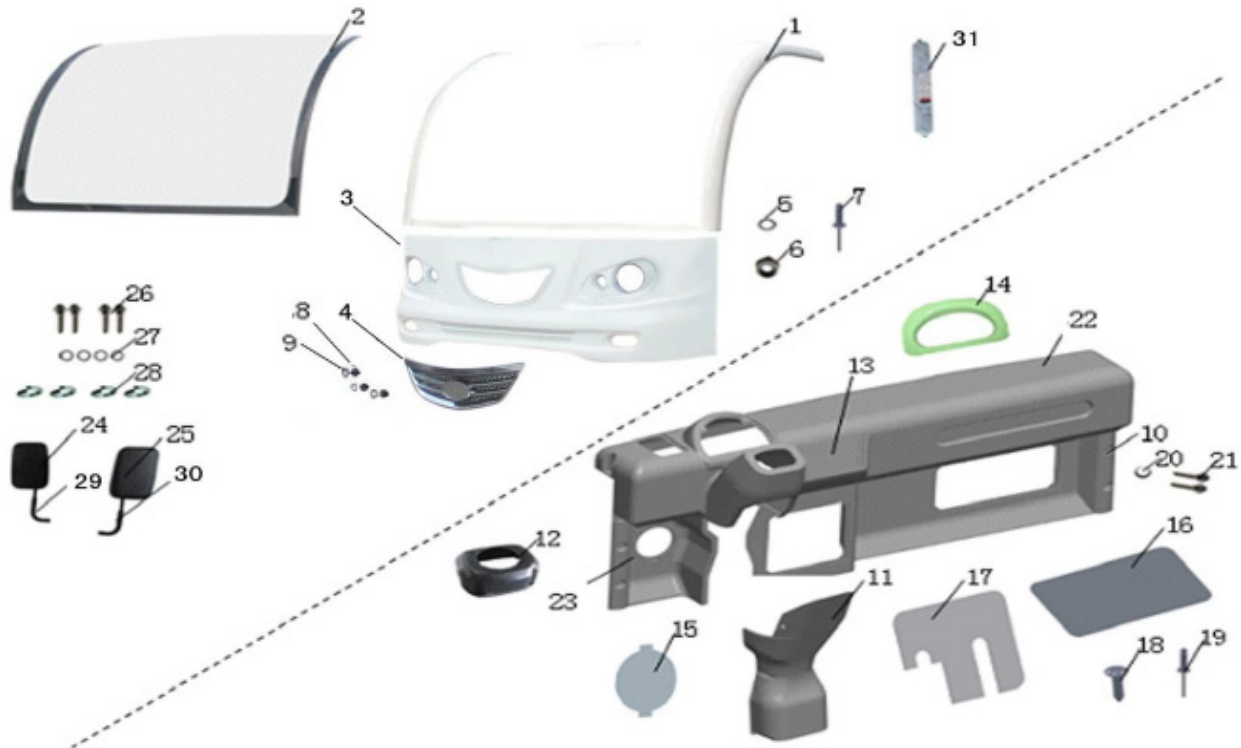
5 Brake System



Item No.	STAR EV Part No.	Description	MPN	Qty
1		Hexagon bolt	2200100166000	2
2	2TB161	Oil cup	2303300001000	1
3		Oil cup clamp	2207901001000	1
4	2TB235, 2TB029	Oil resistance tube	2300500002000	2
5		Clamp	2207901008000	4
6		Cross recess pan head screw	2200304007000	1
7		Oil cup mounting plate	2207300073B00	1
8		Cross recessed pan head tapping screw	2200500003000	4
9	2TB190	Brake pipe 700mm, M10*1 thread Φ4.76PVF for 23P M-Series ONLY	2206700019000	3
10	2TB231	Brake pipe 8	2206700027000	1
11	2TB120	Brake pipe 10 1500mm M10*1 tread Φ5*1 for 23P TRAM ONLY	3103060100	
11	2TB232	Brake pipe 2300	2206700027000	2
12	2TB233	Brake pipe 5100mm M10*1 thread ,Φ5*1 for 23P M-Series ONLY	2206700155000	1
12	2TB717	Brake oil hose 4300	3103060137	1

14	2TB241	Five-way joint valve	2201600004000	1
15		Hexagon bolt	2200100229000	1
16		Flat washer	2200700014000	1
17		Nonmetal insert hexagon lock nut	2200401006000	1
18	2TB242	Tee joint valve	2201706001000	1
19		Clamp	2207901008000	6
20		Nonmetal insert hexagon lock nut	2200401010000	12
21	2MC058	Brake master cylinder	2206300002000	1
22	2MC041	Brake master cylinder adjustable push rod	2204900041000	1
23	2HD200	Pin roll, clevis pin 8x20	2200902002000	1
24	2HD210	Cotter pin, 3.2x22	2200900001000	1
25		Hexagon bolt	2200100075000	2
26		Flat washer	2200700076000	2
27		Spring washer	2200701014000	2
28		Hexagon bolt	2200100029000	4
29		Plain nut hexagon	2200400009000	2
30		Nonmetal insert hexagon lock nut	2200401008000	4
31		Hexagon thin nut	2200400024000	5
32		Brake pedal welded	2206200098A10	1
33		Turn shaft bushing	2202100017A00	2
34	2BM408	Turn shaft shaft sleeve	2202100033A00	1
35	2PD040	Brake pedal rubber sleeve	2301900023000	1
36	2BM405	Oil pump return spring	2201100001B00	1
37		Hexagon bolt	2200100143000	1
38		Flat washer	2200700030000	1
39		Nonmetal insert hexagon lock nut	2200401013000	1
40		Hexagon Bolt	2200100010000	2
41		Nonmetal insert hexagon lock nut	2200401003000	2
42	2PB140	Handbrake knife	2202800001A00	1
43		Hexagon bolt	2200100029000	2
44		Flat washer	2200700080000	2
45		Nonmetal insert hexagon lock nut	2200401024000	2
46	2CB053	Parking brake main wire rope	2206901018A00	1
47	2HD200	Clevis pin	2200902002000	1
48	2HD211	Cotter pin, 3x30	2200900003000	1
49		Brake pedal bracket	2207200714000	1

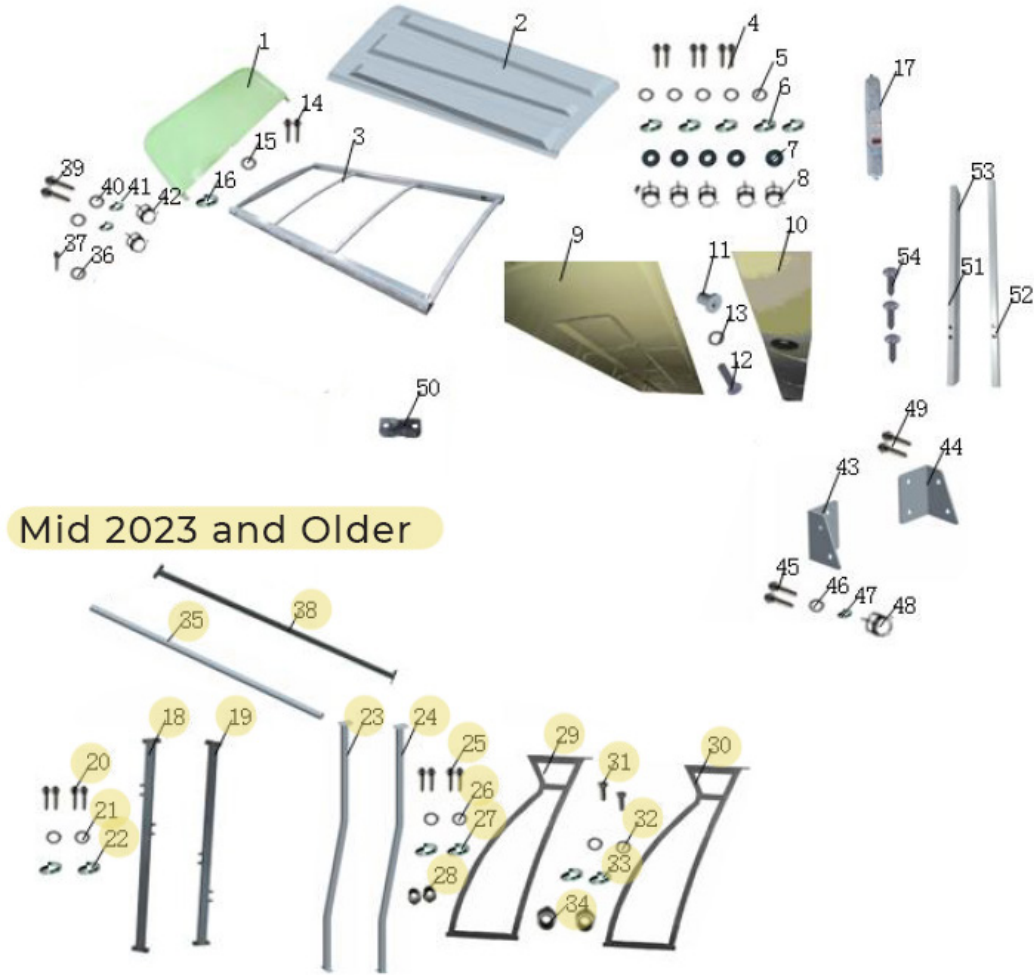
6 Front Body Assembly



Item No.	STAR EV Part No.	Description	MPN	Qty
1		Front windshield frame	2401001200A00	1
2	2WS315	Windshield	2400700017A00	1
3	2BO460	Front Body for 23P M-Series ONLY	2905448013000	1
3-A	2BO460-T	Front Body for 23P TRAM	3405005022	1
4	2BO452	Grill	2301000001000	1
5		Flat washer	2200700028000	2
6		Hex nut	2200400009000	2
7		Open flat round head blind rivets	2201000006000	10
8		Nonmetal insert hexagon lock nut	2200401016000	3
9		Flat washer	2200700009000	3
10		Baffle	2401010708A00	1
11	2DB592	Steering shaft cover	2401022103A10	1
12		Steering column cover box	2300901004000	1
13		Dashboard cover plate	2300400151A10	1
14	2DB620	Dash cover plate	2300400800000	1
15		Dashboard maintenance cover plate left	2205001544A00	1
16		Dashboard maintenance cover plate right	2205001545A00	1
17		Cover plate for brake and accelerator	2207300570A10	1
18		Cross recessed pan head tapping screw	2200500005000	30
19		Open flat round head blind rivets	2201000006000	20
20		Larger flat washers	2200700017000	8
21		Hexagon socket button head screws	2200301013000	8
22	2DB621	Dashboard for 23P M-Series ONLY	2400900201A50	1

22-A	2DB621-T	Dashboard for 23P TRAM ONLY	3405004576	1
23	2DB593	Bezel on passenger side 23P M-Series ONLY	2401001507A20	1
23-A	2DB593-T	Bezel on passenger side 23P TRAM ONLY	3405005024	1
24	2MR281	Rearview mirror left	2207600018000	1
25	2MR291	Rearview mirror right	2207600019000	1
26		Hexagon socket button head screws	2200301022000	4
27		Flat washer	2200700021000	4
28		Spring washer	2200701012000	4
29	2MR280	Rearview mirror frame left	2207200084A00	1
30	2MR290	Rearview mirror frame right	2207200085A00	1
31	2WS900	Silicon sealant	9604001018000	2

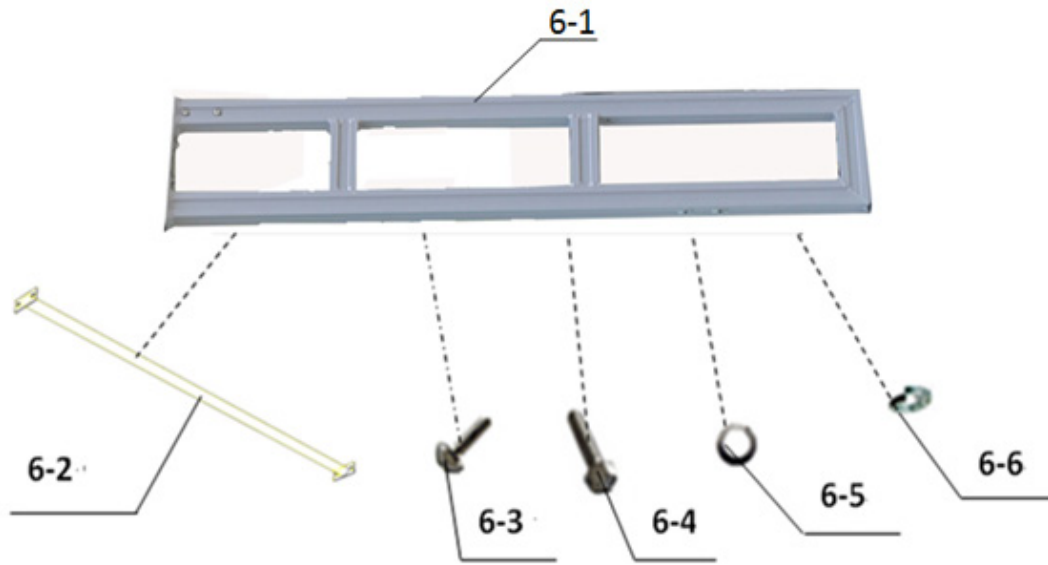
7 Roof and Upright Install Accessories



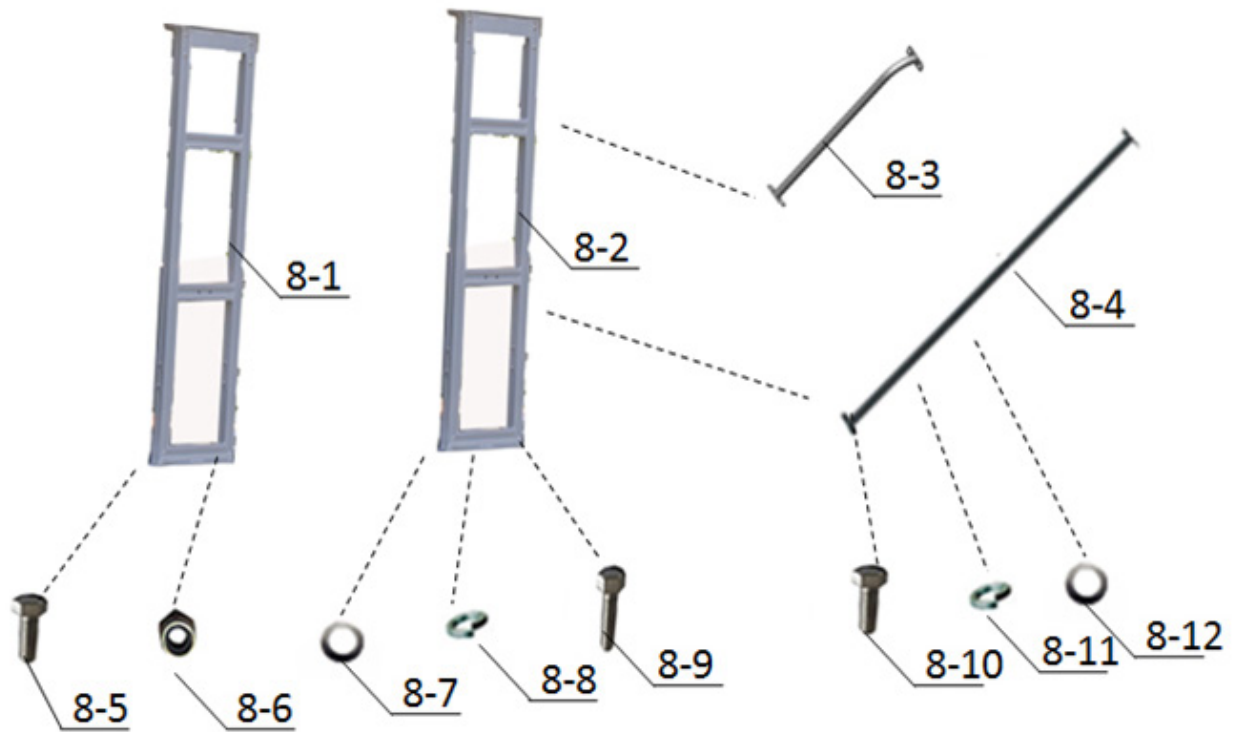
Item No.	STAR EV Part No.	Description	MPN	Qty
1		Rear cover for roof	2401001901A00	1
2		Fiberglass roof	2400300501A10	1
3		Roof frame welding	2207200715A00	1
4		Hexagon socket button head screws	2200301013000	12
5		Flat washer	2200700017000	12
6		Spring washer	2200701010000	12
7		Rubber washer	2301908004000	12
8		Cap nut	2200402003000	12
9		Center inner panel for roof	2401001701A00	1
10		Side inner panel for roof	2401001801A00	2
11		Countersunk head riveted nuts	2200407003000	32
12		Cross recess pan head screw	2200304010000	32
13		Larger washer	2200700017000	44
14		Hexagon socket button head screws	2200301023000	2
15		Flat washer	2200700072000	2

16		Spring washer	2200701012000	2
17		Silicon sealant	9604001018000	2
18	2BC380	B-column left - (Mid 2023 and Older)	2208300033A00	1
19	2BC381	B-column right - (Mid 2023 and Older)	2208300034A00	1
20		Hexagon socket button head screws - (Mid 2023 and Older)	2200301020000	8
21		Flat washer - (Mid 2023 and Older)	2200700021000	8
22		Spring washer - (Mid 2023 and Older)	2200701012000	8
23		C-column left - (Mid 2023 and Older)	2208300035A00	1
24		C-column right - (Mid 2023 and Older)	2208300036A00	1
25		Hexagon socket button head screws - (Mid 2023 and Older)	2200301022000	4
26		Flat washer - (Mid 2023 and Older)	2200700025000	8
27		Spring washer - (Mid 2023 and Older)	2200701012000	4
28		Nonmetal insert hexagon lock nut - (Mid 2023 and Older)	2200401003000	8
29	2BK380	D-column left - (Mid 2023 and Older)	2208300037A20	1
30	2BK381	D-column right - (Mid 2023 and Older)	2208300038A20	1
31		Hexagon bolt - (Mid 2023 and Older)	2200100060000	6
32		Flat washer - (Mid 2023 and Older)	2200700028000	12
33		Spring washer - (Mid 2023 and Older)	2200701013000	6
34		Hex nut - (Mid 2023 and Older)	2200400009000	6
35	2BK384	Column tie rod - (Mid 2023 and Older)	2204800022A00	1
36		Hexagon bolt	2200100162000	2
37		Flat washer	2200700021000	2
38	2BC384	C-column connecting pipe - (Mid 2023 and Older)	2208400159A00	2
39		Hexagon socket button head screws	2200301008000	8
40		Flat washer	2200700028000	8
41		Spring washer	2200701012000	8
42		Cap nut	2200402001000	8
43		D-column tie plate left	2207300560A00	1
44		D-column tie plate right	2207300561A00	1
45		Hexagon socket button head screws	2200301008000	4
46		Flat washer	2200700028000	8
47		Spring washer	2200701012000	8
48		Cap nut	2200402001000	8
49		Hexagon socket button head screws	2200301018000	4
50		B-column rubber washer	2301903008B00	4
51		B-column proximate matter male left	2208200094A10	1
52		B-column proximate matter male right	2208200095A10	1
53		B-column proximate matter female	2208200096A00	2
54		Cross recess pan head screw	2200304023000	36

7-1 Mid 2023 and Newer Upright Install Accessories



Item No.	STAR EV Part No.	Description	MPN	Qty
6-1	2BC382	Front roof support DN.23B-05030500	2203800052A20	2
6-2	2BC385	Front roof support connecting rod DN.23B-05020700	2204900147A10	1
6-3		Hex socket flat round head screw GB/T70.2 M8*40 A2-70	2200301008000	8
6-4		Outer hexagon head bolt GB/T5783 M8*50 A2-70	2200100007000	8
6-5		Plain washer GB/T97.2,8,A200	2200700021000	8
6-6		Spring washer GB/T93,8, :316	2200701012000	8



Item No.	STAR EV Part No.	Description	MPN	Qty
8-1	2BK382	Rear roof support-driver side DN.23B-05030600	2203800053A50	1
8-2	2BK383	Rear roof support-passenger side DN.23B-05030700	2203800054A20	1
8-3	2BK387	Aluminum D column diagonal support DN.23B-05030800 (A/1)	2202600170A10	
8-4	2BK385	Rear roof support connecting rod	2204900151A10	2
8-5		Hexagon head bolt GB/T5783-2000 M10*70	2200100060000	4
8-6		Non-metal insert hexagon lock nut GB/T889.1,M10,8	2200401010000	4
8-7		Flat washer $\Phi 25 * \Phi 10.5 * 1.5\text{mm}$	2200006095000	4
8-8		Spring washer GB/T93,10	2200701013000	4
8-9		Hexagon head bolt GB/T5783 M8*70 A2-70	2200100163000	6
8-10		Hex socket flat round head screw GB/T70.2 M8*25 A2-70	2200301023000	12
8-11		Spring washer GB/T93,8 :316	2200701012000	18
8-12		Flat washer GB/T97.2,8, A200	2200700021000	18

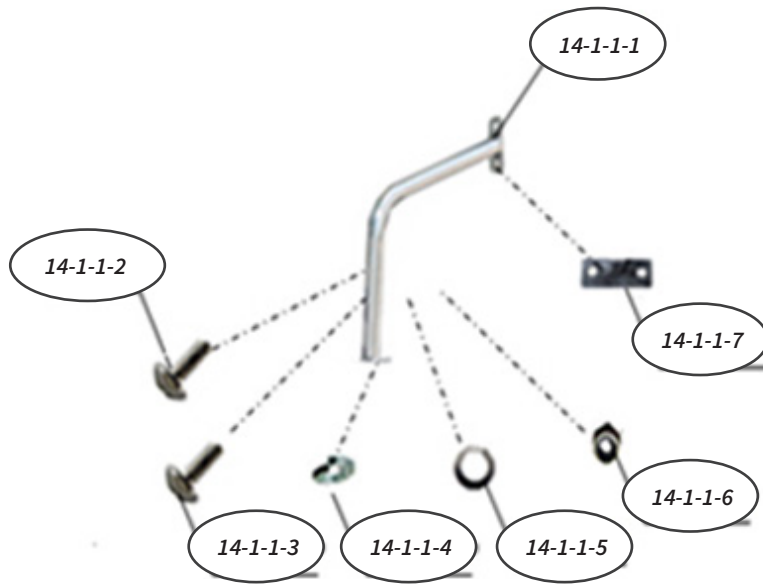
8 Driver Seat Accessories



Item No.	STAR EV Part No.	Description	MPN	Qty
1	2PS422	Front panel - 1st row pod seat for 23P M-Series	2400500801A40	1
1-A	2PS422T	Front panel - 1st row pod seat for 23P Tram	3402011794	1
2		1st row seat bucket side	2400500806A10	2
3		1st row seat bucket rear	2400500807A10	1
4		Front seat bucket cover	2300407251A10	1
5	2HD020	Closed rotating rivet	2301700011000	8
6		EVA	2600704003000	10m
7	2CS393	Stainless steel seat armrest for driver seat - (Mid 2023 and Older)	2202600096A10	2
8		Hexagon socket button head screws	2200301022000	8
9		Flat washer	2200700021000	8
10		Nonmetal insert hexagon lock nut	2200401003000	4
11	2CS394	Stainless steel backrest frame for driver seat - (Mid 2023 and Older)	2207200774A10	1
12		Cross recessed countersunk head screw	2200302018000	3
13		Flat washer	2200700021000	3
14		Nonmetal insert hexagon lock nut	2200401003000	3
15		Hexagon socket button head screws	2200301022000	10
16		Flat washer	2200700021000	10
17	2CS406	Backrest Cushion for 23P M-Series	2200009360000	4
18	2CS405	Bottom Cushion for 23P M-Series - (Mid 2023 and Older)	2200009359000	6
19	2HG040	Hinges	2202200001000	2
20		Cross recessed pan head tapping screw	2200500005000	6
21		Open flat round head blind rivets	2201000001000	6

22		Backrest frame fixing plate	2207300604A00	1
23		Cross recessed countersunk head screw	2200302018000	3
24		Flat washer	2200700021000	3
25		Nonmetal insert hexagon lock nut	2200401003000	3
26	2SB040	Seat belt	2501304017000	18

8-1 New Driver Seat Accessories (Mid 2023 and Newer)



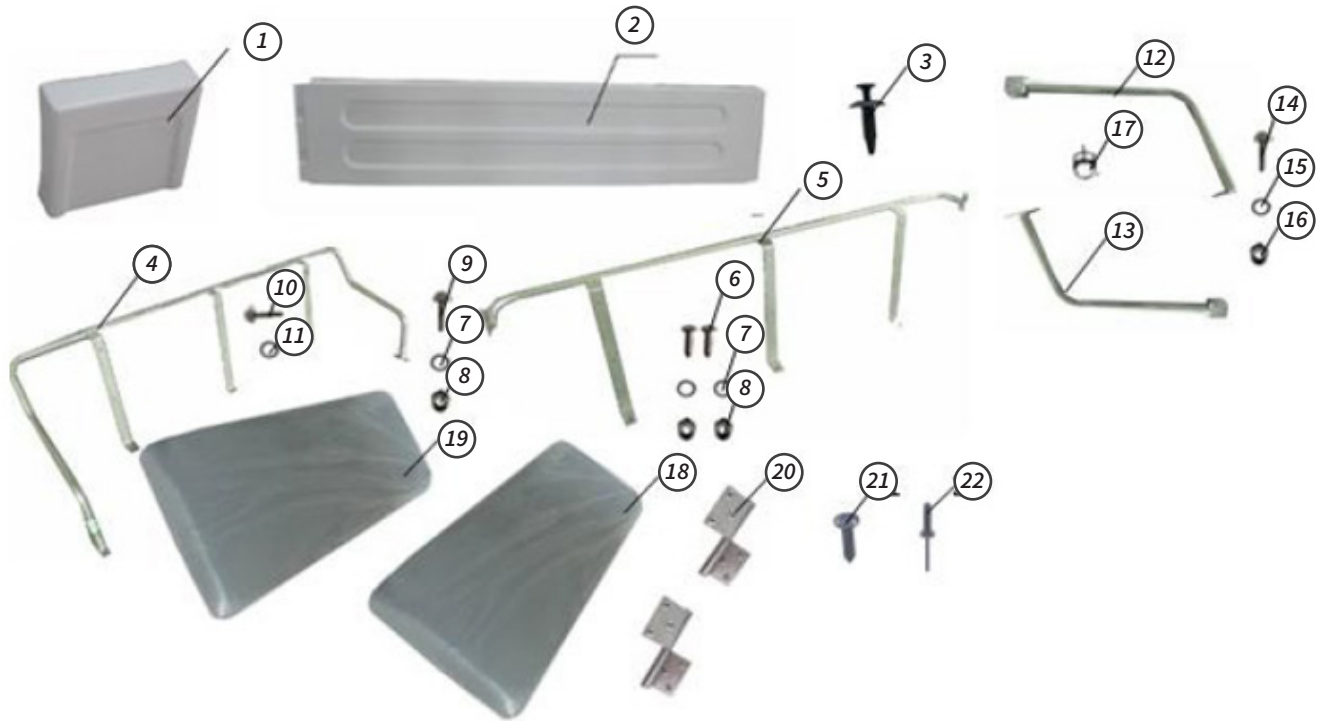
Item No.	STAR EV Part No.	Description	MPN	Qty
14-1-1-1	2CS38A	Armrest-the first row seat DN.23B-04060100	2202600166A30	1
14-1-1-2		Hex socket flat round head screw GB/T70.2,M8*45,A2-70	2200301021000	1
14-1-1-3		Hex socket flat round head screw GB/T70.2 M8*25	2200301018000	1
14-1-1-4		Spring washer GB/T93,8	2200701012000	2
14-1-1-5		Flat washer GB/T97.2,8,A200	2200700021000	2
14-1-1-6		Non-metal insert hexagon lock nut GB/T889.1 M8 A2-70	2200401003000	2
14-1-1-7	2CS38P	Rubber pad of armrest DN.23B-04020303 1mm 0.3mm	2301903093A00	2

8-2 New Driver Seat Accessories (Mid 2023 and Newer)



Item No.	STAR EV Part No.	Description	MPN	Qty
13-1-1-1	2CS38E	Driver side backrest support DN.23B-04040400 :3.82KG	2207200774A30	1
13-1-1-2		Hex socket flat round head screw GB/T70.2,M8*45,A2-70	2200301021000	3
13-1-1-3		Hex socket flat round head screw GB/T70.2 M8*25 A2-70	2200301023000	4
13-1-1-4		Flat washer GB/T97.2,8,A200	2200700021000	7
13-1-1-5		Non-metal insert hexagon lock nut GB/T889.1 M8 A2-70	2200401003000	3
13-1-1-6	2CS409	Backrest cushion DN.23B-04020102	2501504036A20	1
13-1-1-7		Hex socket flat round head screw GB/T70.2,M8*45,A2-70	2200301021000	6
13-1-1-8		Flat washer GB/T97.2,8,A200	2200700021000	6
13-1-1-9	2CS408	Bottom cushion DN.23B-04020101	2501500088A20	1
13-1-1-10	2HG040	4" hinge	2202200001000	2
13-1-1-11		Cross recessed pan head tapping screw GB/T845 ST4.8*25 F-H A2-70	2200500005000	6
13-1-1-12		Open-mouth oval head core rivet GB/T12618 5*20 A2-70	2201000001000	6

9 Second, Third, and Fourth Row Seat Accessories



Item No.	STAR EV Part No.	Description	MPN	Qty
1		Middle row seat bucket side	2400500805A10	6
2		Middle row seat bucket front	2400500804A10	6
3	2HD020	Closed rotating rivet	2301700011000	24
4	2PS430	Stainless steel rail steel (second & fourth row) (Mid 2023 and Older)	2202600067A10	2
5	2PS431	Third row back fixed bracket stainless steel (Mid 2023 and Older)	2207200775A20	1
6		Cross recessed countersunk head screw	2200302018000	9
7		Flat washer	2200700021000	21
8		Nonmetal insert hexagon lock nut	2200401003000	21
9		Hexagon socket button head screws	2200301021000	12
10		Hexagon socket button head screws	2200301023000	18
11		Flat washer	2200700021000	18
12	2CS387	Stainless steel seat armrest (third row) (Mid 2023 and Older)	2501503032A00	2
13	2CS388	Stainless steel seat armrest (sixth row) (Mid 2023 and Older)	2501503033A00	2
14		Hexagon socket button head screws	2200301021000	12
15		Flat washer	2200700021000	12
16		Nonmetal insert hexagon lock nut	2200401003000	8
17		Cover nut	2200402001000	8
18	2CS405	Bottom Cushion for 23P M-Series (Mid 2023 and Older)	2200009359000	6

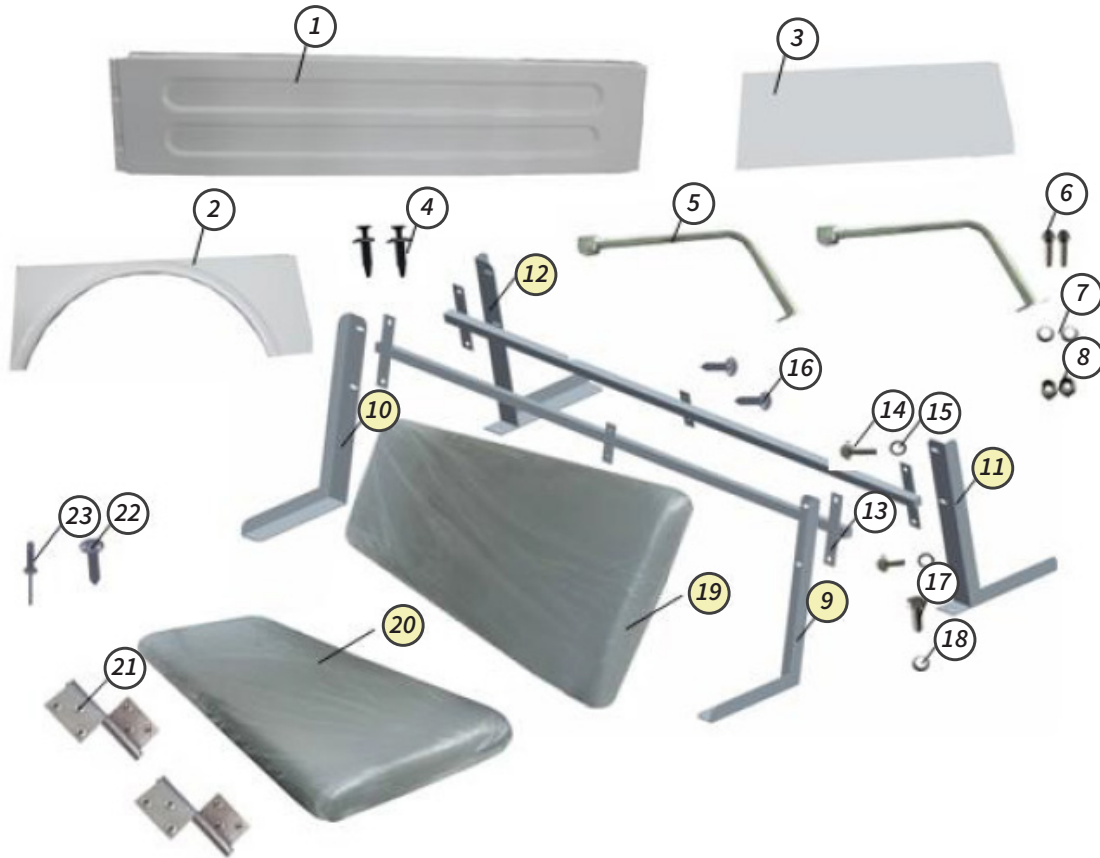
19	2CS406	Backrest Cushion for 23P M-Series (Mid 2023 and Older)	2200009360000	4
20	2HG040	Hinges	2202200001000	6
21		Cross recessed countersunk head screw	2200302021000	18
22		Open flat round head blind rivets	2201000001000	18

9-1 Second, Third, and Fourth Row Seat and Accessories Mid 2023 and Newer



Item No.	STAR EV Part No.	Description	MPN	Qty
13-1-2-1	2CS38F	The third row backrest support DN.23B-04040600	2207200775A30	1
13-1-2-2	2CS409	Middle backrest cushion DN.23B-04020102,	2501504036A20	3
13-1-2-3		Hexagon head bolt GB/T5783 M6*45 A2-70	2200100044000	18
13-1-2-4		Flat washer GB/T97.2 10 A200	2200700028000	18
13-1-2-5		Spring washer GB/T93,8	2200701012000	18
13-1-2-6	2CS408	Bottom cushion DN.23B-04020101	2501500088A20	3
13-1-2-7	2HG040	4" hinge	2202200001000	6
13-1-2-8		Cross recessed pan head tapping screw GB/T845 ST4.8*25 F-H A2-70	2200500005000	18
13-1-2-9		Open-mouth oval head core rivet GB/T12618 5*20 A2-70	2201000001000	18
13-1-2-10	2CS423	Rubber armrest DN.14F-04010303, 1mm, 0.3mm	2301903097B00	6
14-1-2-1	2CS38B	Armrest-the second and forth row seat DN.23B-04070500	2202600117A40	2
14-1-2-2	2CS38F	The third row backrest support DN.23B-04040600,:2.9KG	2207200775A30	1
14-1-2-3	2CS38C	Armrest-the third row seat DN.23B-04070600	2202600118A30	2
14-1-2-4		Hex socket flat round head screw GB/T70.2,M8*45, A2-70	2200301021000	25
14-1-2-5		Spring washer GB/T93,8	2200701012000	25
14-1-2-6		Cross recessed countersunk head screw GB/T819.1 M8*30 A2-70	2200302021000	4
14-1-2-7		Flat washer GB/T97.2,8,A200	2200700021000	25
14-1-2-8		Non-metal insert hexagon lock nut GB/T889.1 M8 A2-70	2200401003000	20

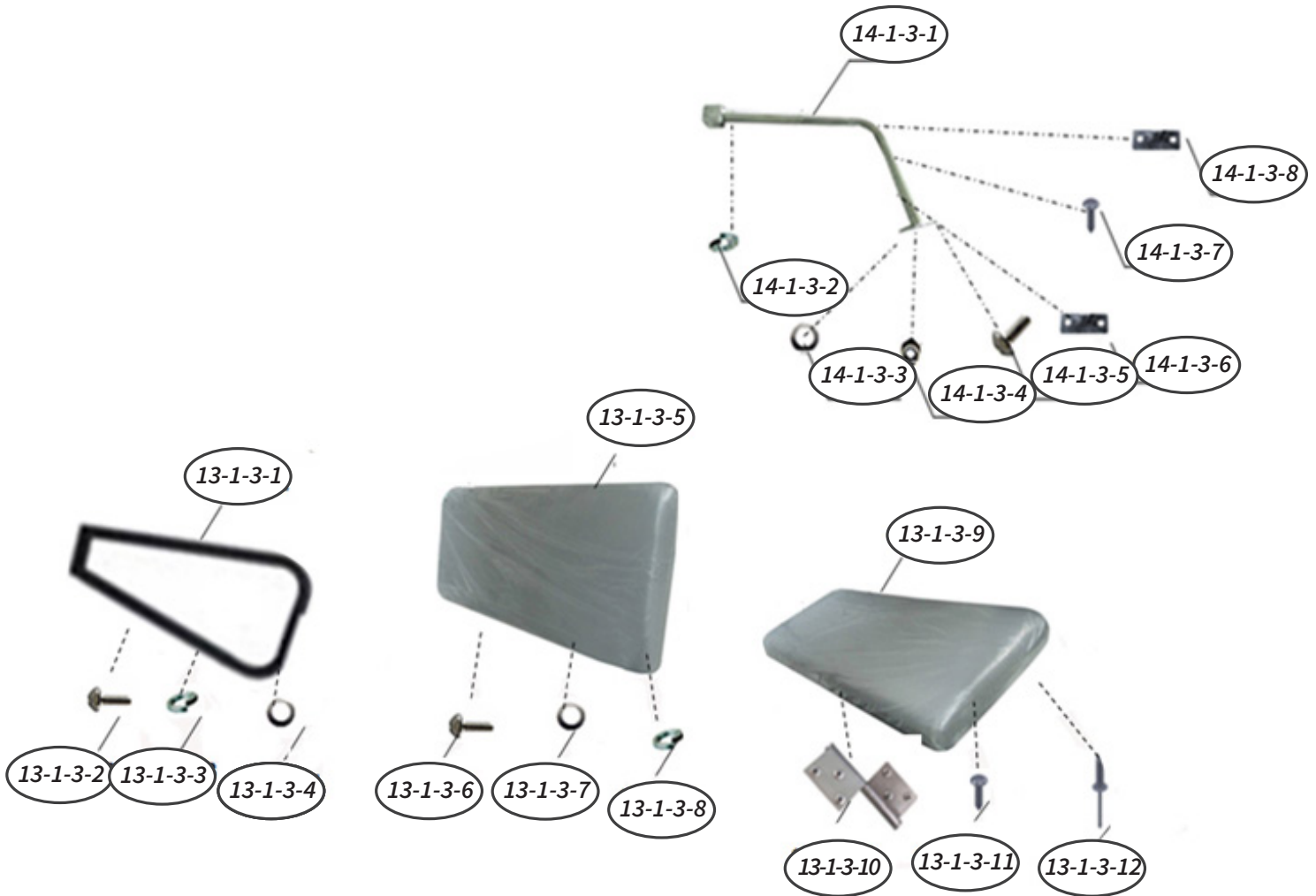
10 Fifth and Sixth Row Seat Accessories



Item No.	STAR EV Part No.	Description	MPN	Qty
1		Middle seat bucket of positive	2400500804A10	2
2		Five or six row seat bucket side	2400503801A10	2
3		After the bucket seat cover plate	2300407255A00	1
4	2HD020	silent rotating rivet	2301700011000	8
5	2CS388	Stainless steel seat armrest (sixth row)	2501503037A10	2
6		Hexagon socket button head screws	2200301021000	4
7		Flat washer	2200700021000	4
8		Nonmetal insert hexagon lock nut	2200401003000	4
9	2CS383	Fifth row of stainless steel back of a chair (left) Mid 2023 and Older	2202600068A00	1
10	2CS384	Fifth row of stainless steel back of a chair (right) Mid 2023 and Older	2202600072A00	1
11	2CS385	Sixth row of stainless steel back of a chair (left) Mid 2023 and Older	2202600069A10	1
12	2CS386	Six rows of stainless steel back of a chair (right) Mid 2023 and Older	2202600073A10	1
13		Fourth/fifth/sixth rows back brace	2207200104A00	2
14		Allen flat round head screw	2200301022000	8
15		Flat washer	2200700021000	8
16		Cross trough pan head self-drilling screw	2200500005000	4
17		Hexagon bolt	2200100097000	2

18		Flat washer	2200700021000	2
19	2CS407	Backrest Cushion for Rear Row & Rear Facing 23P M-Series Mid 2023 and Older	2200009361000	2
20	2CS405	Bottom Cushion for 23P M-Series - Mid 2023 and Older	2200009359000	6
21	2HG040	Hinges	2202200001000	6
22		Cross trough pan head self-drilling screw	2200500005000	18
23		Mushroom head break mandrel blind rivet	2201000001000	18

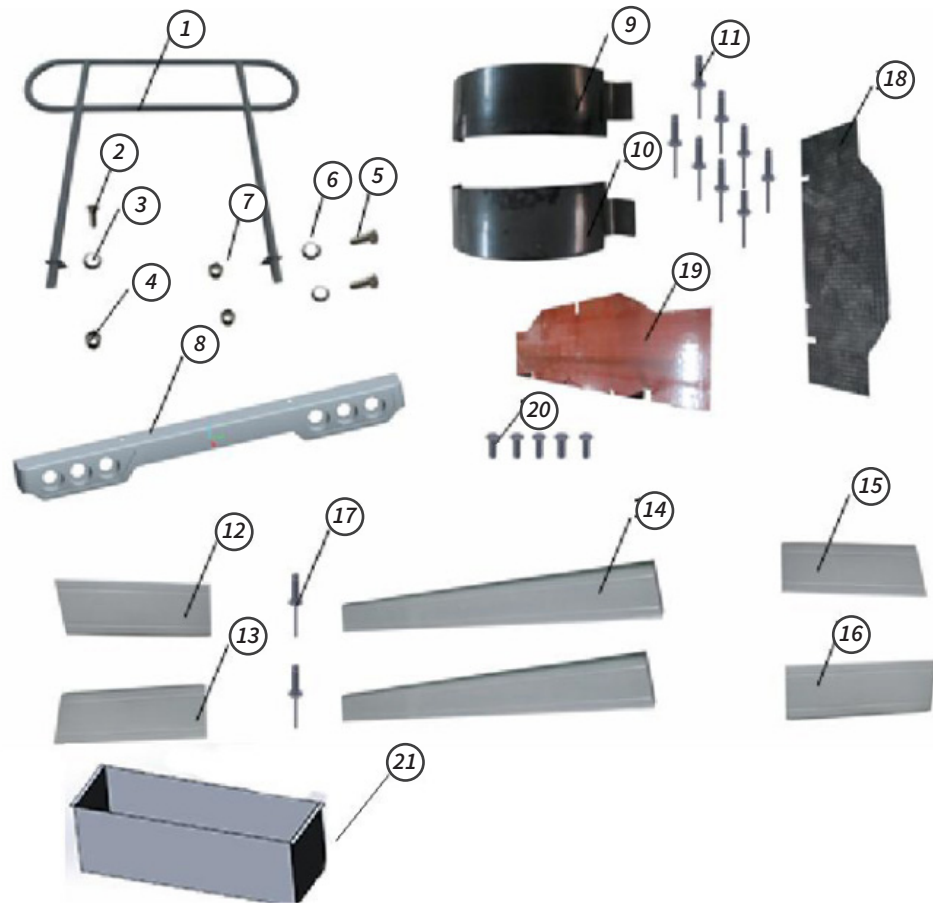
10-1 Fifth and Sixth Row Seat and Accessories (Mid 2023 and Newer)



Item No.	STAR EV Part No.	Description	MPN	Qty
13-1-3-1	2CS38G	Rear backrest support DN.23B-04020000 23	2207201419A00	2
13-1-3-2		Hex socket flat round head screw GB/T70.2,M8*45,A2-70	2200301021000	4
13-1-3-3		Spring washer GB/T93,8, :316	2200701012000	4
13-1-3-4		Flat washer GB/T97.2,8,A200	2200700021000	4
13-1-3-5	2CS409B	Rear backrest cushion DN.23B.1C-04020103	2501504113A00	2
13-1-3-6		Hexagon head bolt GB/T5783 M6*45 A2-70	2200100044000	10
13-1-3-7		Flat washer GB/T97.2 10 A200	2200700028000	10
13-1-3-8		Spring washer GB/T93,8, :316	2200701012000	10
13-1-3-9	2CS408	Bottom cushion DN.23B-04020101	2501500088A20	2
13-1-3-10	2HG040	4" hinge	2202200001000	4
13-1-3-11		Cross recessed pan head tapping screw GB/T845 ST4.8*25 F-H A2-70	2200500005000	12
13-1-3-12		Open-mouth oval head core rivet GB/T12618 5*20 A2-70	2201000001000	12
14-1-3-1	2CS38D	Armrest-the fifth and sixth row seat DN.23B-04060200	2CS38D	1
14-1-3-2		Spring washer GB/T93,8		4

14-1-3-3		Flat washer GB/T97.2,8,A200		4
14-1-3-4		Non-metal insert hexagon lock nut GB/T889.1 M8 A2-70		4
14-1-3-5		Hex socket flat round head screw GB/T70.2,M8*45,A2-70		4
14-1-3-6	2CS423	Rubber pad of armrest DN.14F-04010303, 1mm 0.3mm	2CS423	1
14-1-3-7		Cross recessed pan head screws GB/T818 M6*45 A2-70		1
14-1-3-8	2CS38P	Rubber pad of armrest DN.23B-040203030.3mm	2CS38P	2

11 Rear Seat Accessories



Item No.	STAR EV Part No.	Description	MPN	Qty
1		After the stainless steel handrails frame assembly	2202600071A00	1
2		Outside the hexagon bolt	2200100049000	2
3		Flat washer	2200700076000	2
4		Nonmetal insert hexagon lock nut	2200401011000	2
5		Outside the hexagon bolt	1205201005000	4
6		Flat washer	2200700021000	8
7		Nonmetal insert hexagon lock nut	2200401003000	4
8	2BR585	Bumper - Rear for 23P M-Series Bus 2022 & Older	3401000761	1
(PG 29)	2BR587	Bumper - Rear for 23P M-Series Bus 2023 & Newer	3401000765	1
9		Former mud (left)	2302304600A00	2
10		Former mud (right)	2302304800A00	2
11		Open flat round head blind rivets	2201000017000	20
12		Guardrail profile (front)	2208200065A10	1
13		Guardrail profile (front)	2208200066A10	1
14	24P464	Guardrail profile (middle)	2208200067A00	2
15		Guardrail profile (rear)	2208200069A10	1
16		Guardrail profile (rear)	2208200070A00	1
17		Open flat round head blind rivets	2201000006000	28

18		Foot skin	2302600022000	3.5m
19		Bamboo veneer	2300401001000	3
20		Cross recessed countersunk head self-drilling tapping screw	2200300068000	90
21		Storage box		1



2BR587

Bumper - Rear for 23P M-Series Bus 2023 & Newer

2BR585

Bumper-Rear for 23P M-Series Bus 2022 & Older

12 Electric Accessories



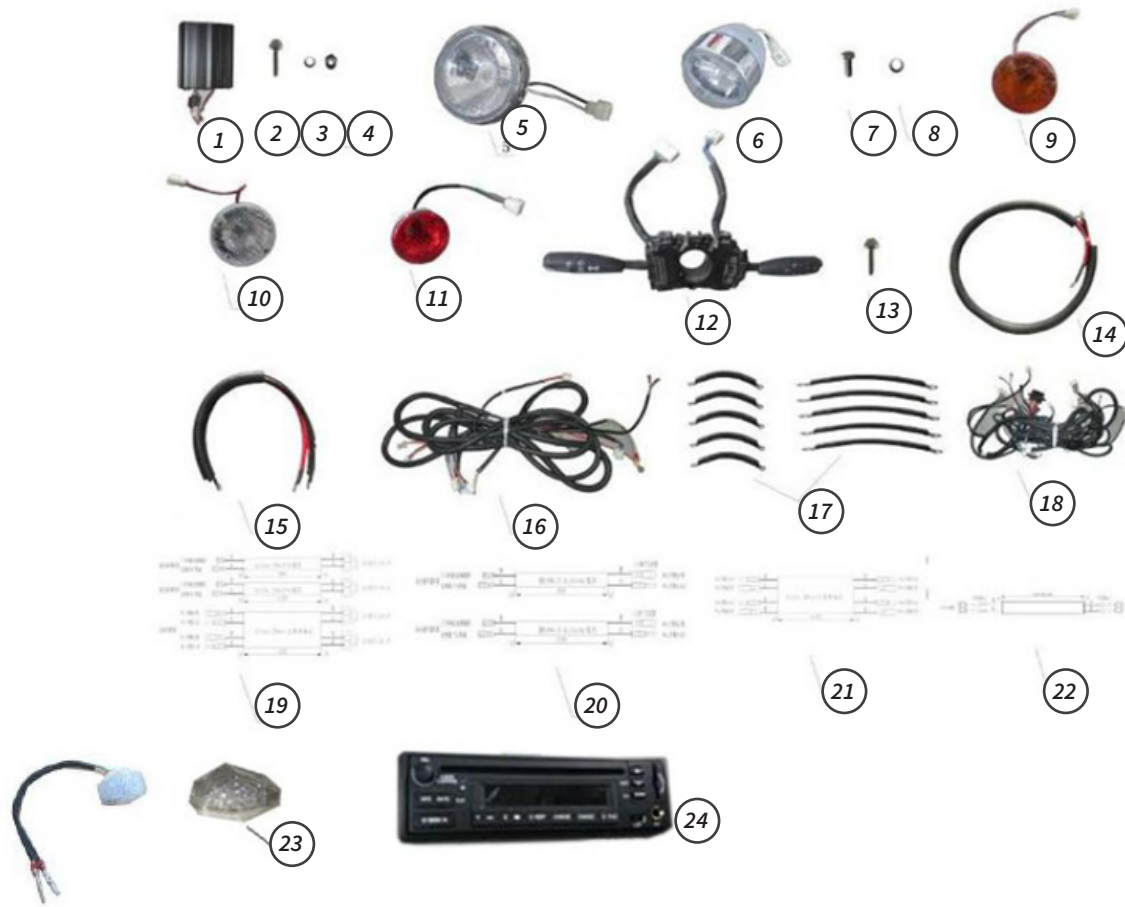
Item No.	STAR EV Part No.	Description	MPN	Qty
1		DT106E	2100101021000	24
2	2BT402	Terminal protecting cap	2301902002000	24
3	2BT404	Terminal protecting cap	2301902001000	24
4	2MO355	AC traction motor 9KW,XYQ-9AH	3201020078	1
on page 31	2MO356	Encoder for 72V 16.6KW motorfor 23P M-Series Bus *2021 and older	3600003233	1
5		Hexagon bolt	2200100104000	6
6		Flat washer	2200700032000	6
7		Nonmetal insert hexagon lock nut	2200401012000	6
8		Controller assembly	2901501005000	1
9	2MT261	Current sensor	2102700002000	1
10		Hexagon bolt	2200100144000	4
11		Flat washer	2200700021000	4
12		Nonmetal insert hexagon lock nut	2200401003000	4
13	2CN915	Controller cover	3402000649	1
14		Trough pan head screws	1205211016000	4
15	2SW430	Gear switch	3210010029	1
16	2SW290	Electronic locks	3210080005	1

16-A	2KY290	Blank key for unique ignition	2202003003000	1
17	2MT285	Combination display DZB7204B12-SDY 72V	3207010029	1
18		Cross recessed pan head tapping screw	2200500005000	4
19		Cross recessed screw with oval head	2200305003000	4
20		Flat washer	2200700088000	4
21		Nonmetal insert hexagon lock nut	2200401001000	4
22	2SW210	Electric horns	3209010003	1
23		Outside hexagonal foundation for self drilling screws	2200307005000	1
24	2RL060	Flasher	3211060003	1
25		Trough pan head screws	2200304001000	1
26	2SW340	Reversing buzzer components	2101602011000	1
27		Outside hexagonal foundation for self drilling screws	2200307005000	1
29	2WP080	Wiper motor	2101902057000	1
	2WP081	Wiper blade	2303600008000	1
	2WP082	Wiper double arm (with spray nozzle and pipe)	2303600013000	1
30	2AC300	Accelerator	3203043410	1
31		Hexagon bolt	2200100080000	2
32		Flat washer	2200700023000	2
33		Nonmetal insert hexagon lock nut	2200401008000	2
34	2SW540	Brake light switch	3210060015	1
35	2RC060	Charging port	3202100027	1



2MO356

13 Electric Accessories 2



Item No.	STAR EV Part No.	Description	MPN	Qty
1	2CV151	DC converter, 40 Amp*	2101800018000	2
1-A	2CV154	DC converters DC2250-7212 12V/50A	3202060011	2
2		Trough pan head screws	2200304008000	8
3		Flat washer	2200700009000	8
4		Nonmetal insert hexagon lock nut	2200401016000	8
5	2LT310	Headlight components	2901800060B00	2
6	2LT311	Small chy-tech pieces	2901800061B00	2
7		Outside the hexagon bolt	1205201026000	4
8		Flat washer	2200700017000	4
	2LT321	Turn Light (Rear) for 14P M-Series ONLY or 23P M-Series * Old style	2901800107B00	
9	2LT322	Rear turn signal components	2901800107B00	4
10	2LT306	Backup / Reverse LIGHT Assembly for 14P M-Series Bus ONLY or 23P M-Series Bus *Old style	2901800109B00	2
11	2LT307	Brake Light for 14P M-Series Bus or 23P M-Series Bus *Old style	2901800108B00	2
	2LT330	Taillight Assembly with lights for 23P M-SERIES 2023 & Newer	3208010071	2
	2LT333	Rear BACKUP / REVERSE light WHITE for 23P M-SERIES 2023 & Newer	3406000843	1

	2LT331	Rear TURN light ORANGE for 23P M-SERIES 2023 & Newer	3406000844	1
	2LT332	Rear BRAKE light RED for 23P M-SERIES 2023 & Newer	3406000842	1
	2LB333	BULB Rear BACKUP / REVERSE light 2LT333 for 23P M-SERIES 2023 & Newer	3208060049	1
	2LB331	BULB for Rear TURN light 2LT331 for 23P M-SERIES 2023 & Newer	3208060049	1
12	2SW385	Combination switch	2101400058000	1
13		Trough pan head screws	1205211016000	3
14	2BT137	Charging cable	2901702047A10	1
15	2BT136	Power cable	2901701081A10	1
16	2WH302	Power control wiring harness	2901705278A00	1
17	2BT135	Battery cables (set)	2901700030A10	1
18	2WH312	Lighting wiring harness	2901704061A10	1
19	2WH370	Before the canopy embedded wire harness	2901709017A20	1
20	2WH371	Rear canopy embedded wire harness	2901709018A00	1
21		Speaker cables	2901711045A00	1
22	2ST56A	Steering booster power cables	2901701055A00	1
23	2LT315	Side light assembly with wires	2901800042A00	10
24	2RD054	CD player	2100300010000	1
N/A	2RD055	Integrated speakers	2101600021000	4
N/A	2RC056	Receiver antenna	3205030024	1
N/A	2RD180	Microphone	3215090008	1
N/A	2SO291	Contactora / solenoid	2102300011000	1
N/A	2SO292	Contactora fixed plate	2102300008000	1
N/A	2WH332	Dome light wiring harness	2901800042A00	1
N/A	2WH333	Dome light wiring harness, embedded car wiring	2901709031A00	1
N/A	2WH302	Power control circuit wiring harness	2901704140A00	1
N/A	2WH312	Lighting wiring harness	2901705278A00	1

*If you have a 30 Amp, it is recommended to upgrade to 40 Amp



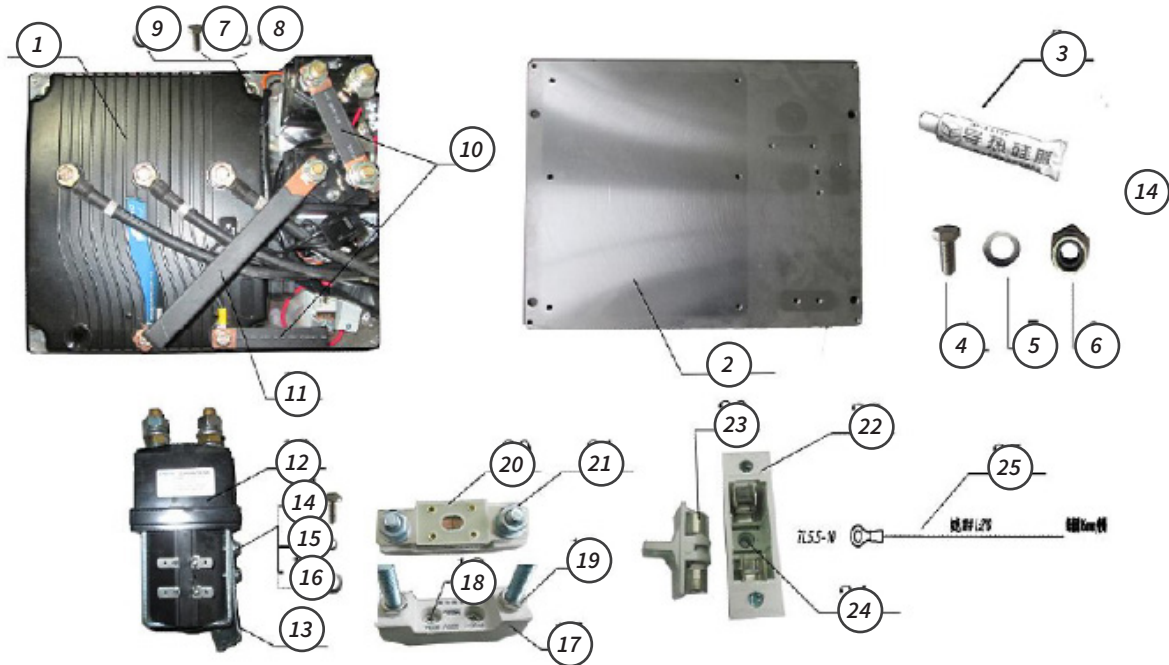
2LT331
REAR TURN
LIGHT
ORANGE

2LT332
REAR BRAKE
LIGHT

2LT333
BACKUP/
REVERSE
LIGHT

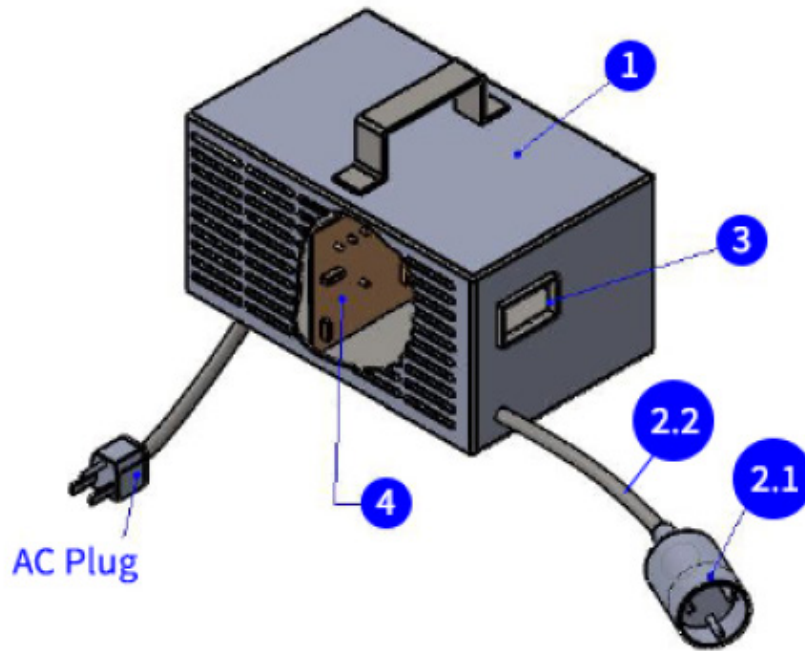
2LT330
TAILLIGHT
ASSEMBLY

14 Controller Accessories



Item No.	STAR EV Part No.	Description	MPN	Qty
1	2CN122	AC controller	2101701016000	1
2		Heating Panel	2209200036A00	1
3		Cooling paste	9603005002000	0
4		Hexagon bolt	2200100080000	4
5		Flat washer	2200700023000	4
6		Nonmetal insert hexagon lock nut	2200401008000	4
7		Hexagon bolt	2200100002000	4
8		Spring washer	2200701009000	4
9		Flat washer	2200700014000	4
10		Copper connector	2209100027A00	1
11		Copper connector	2209100026A00	1
12	2SO291	Contacter	2102300011000	2
13		Contacter fixator	2207200735A00	2
14		Trough pan head screws	1205211017000	8
15		Spring washer	2200701008000	8
16		Flat washer	2200700009000	8
17	2FU174	Fuse holder	1131550107000	1
18		Trough pan head screws	1205211018000	2
19		Hexagon thin nuts	2200400033000	2
20	2FU170	Power fuse	2102601010000	1
21		Hex nut	2200400020000	2
22	2FU173	Fuse support seat	2303400009000	1
23	2FU150	Controller fuse	1005410-001	1
24		Trough pan head screws	2200304067000	1
25		Wire harness assembly	2901712035A00	1

15 DPI Charger



Item No.	STAR EV Part No.	Description	Remark	Qty
1	2CH072	DPI 72 V charger, 120 V		1
	2CH722	DPI 72 V charger, 220 V	220 V, 50 Hz	
2.1	2PG172	DPI male plug ONLY, green, Gen. IV		1
2.1+ 2.2	2CR072	9 ft DC 72 V output cord, green plug, Gen. IV		1
	2CR720	9 ft DC 72 V output cord, green plug, Gen. III and earlier		
3	2MT240	DPI charger AMP meter		1
4	2BI720	DPI control board, 72 V, 110 V	110 V, 60 Hz	1
	2BI721	DPI control board, 72 V, 220 V	220 V, 50 Hz	
	2BI172	DPI board kit for 72 V charger, no relay, Gen. IV		
AC Plug	2CR120	120 V AC input cord for Gen. IV charger	IPCJ0038-L001830	1
	2CR230	230 V AC input cord for Gen. IV charger	IPCJ0039-L001830	