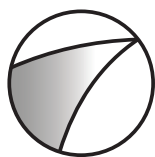




Search with CTRL-F (PC) or COMMAND-F (MAC) to quickly find what you're looking for.



# SIRIUS<sup>®</sup>

PERSONAL TRANSPORTATION VEHICLE



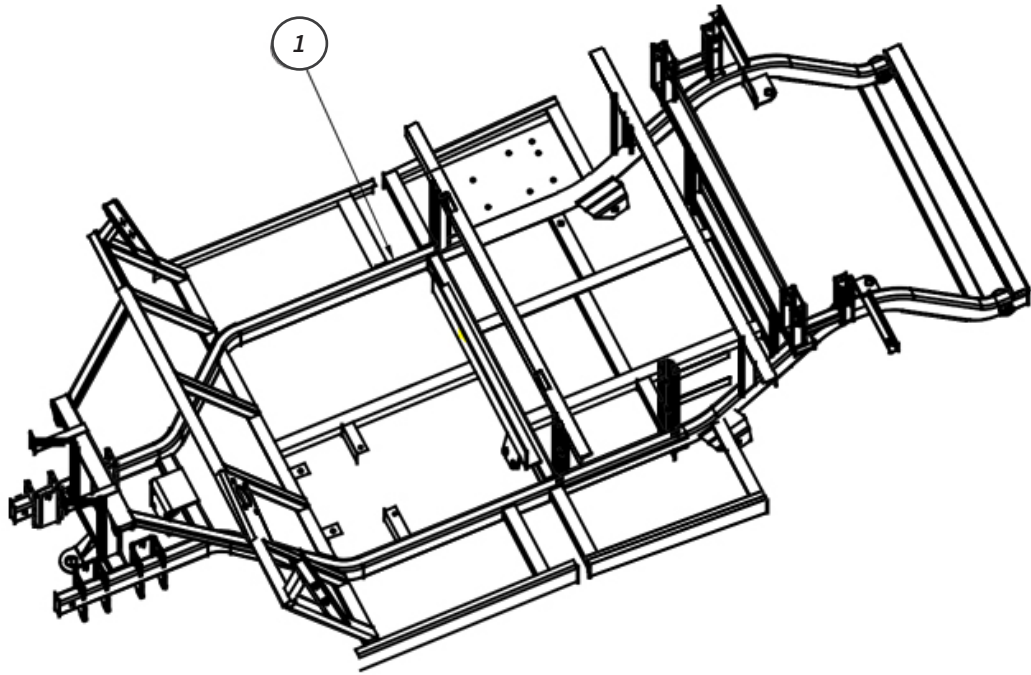
## Sirius Parts Manual

Sirius 2, Sirius 2+2, Sirius 4, Sirius 4+2,  
Sirius Lifted 2+2, Sirius Lifted 4+2

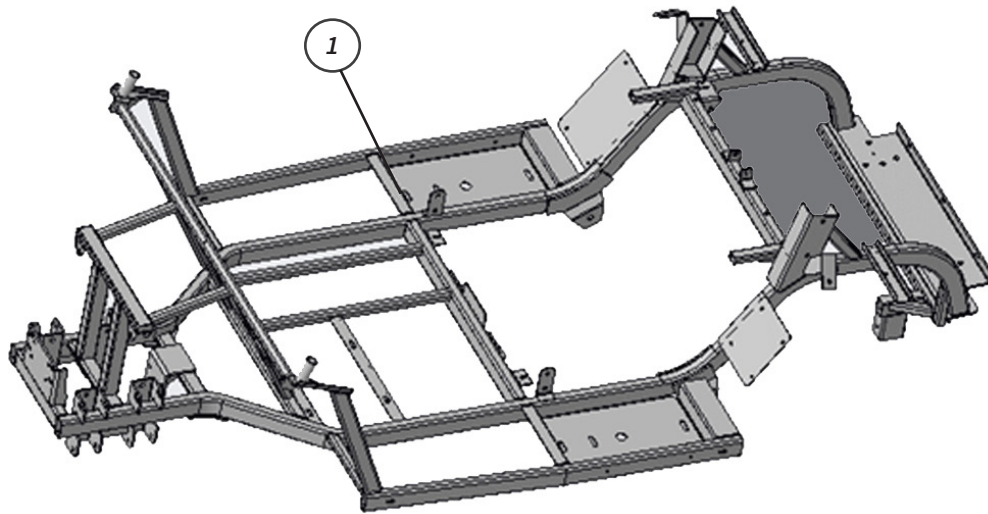
# Contents

1	Chassis	3
2	Front Suspension	4
3	Rear Suspension	6
4	Steering System	7
5	Brake System (2 and 2+2)	8
5-1	Hydraulic Brake System (2 and 2+2)	9
5-2	Brake System (4 and 4+2)	12
6	Rear End	14
6-1	QDS™ Rear End for 2 and 2+2	17
6-2	QDS™ Rear End for 4 and 4+2	20
7-0	Motor for QDS™ System	22
7-1	Motor for KDS System	23
8	Battery Compartment	24
8-1	STAR Lithium Batteries with Plug and Play Upgrades	25
9	Front Seat for 2 and 2+2	26
9-1	Pod Seat for 4 and 4+2	27
10	Sirius 2 Passenger Roof	29
11	Sirius 2+2, 4 and 4+2 Roof	31
12	Front Body	34
13	Rear Body	37
14-0	Ultimate Rear Flip Seat	39
14-1	Rear OEM Rear Flip Seat	42
15	Floor for 2 and 2+2	44
15-1	Floor for 4 and 4+2	45
16	Electric Components	46
17	Controller Assembly	49
18	Battery Charger	51
19	Sirius Lifted Unique Part	53

# 1 Chassis

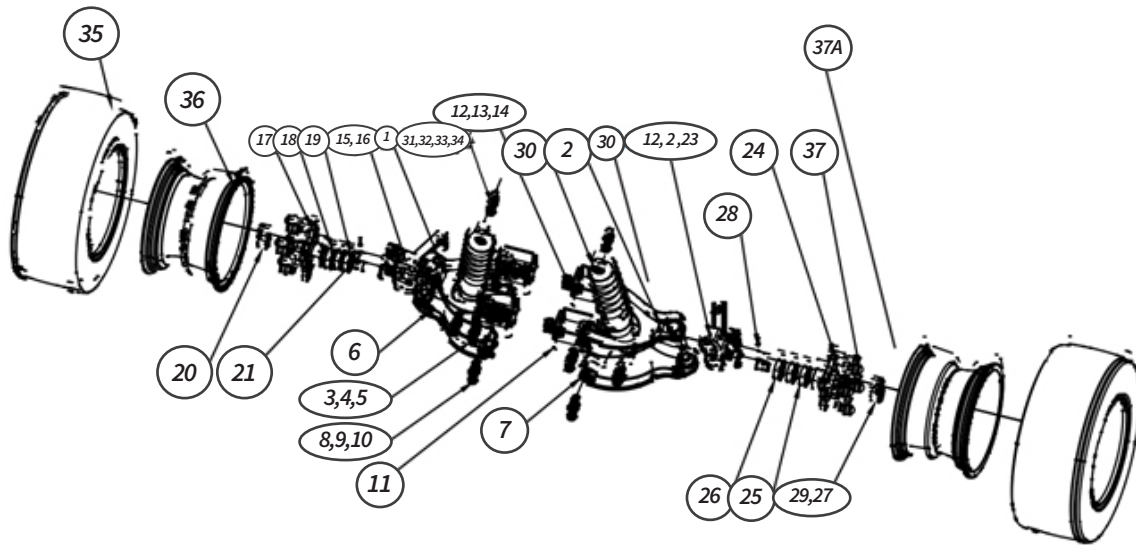


Item No.	STAR EV Part No.	Description	MPN	Qty
1	2BD700	Chassis (not available for sale) for 2 and 2+2	2207400272A00	1
	N/A	Chassis (not available for sale) for 4 and 4+2	2207400352A00	1



Item No.	STAR EV Part No.	Description	MPN	Qty
1		Chassis for 2 and 2+2	3304032648	1

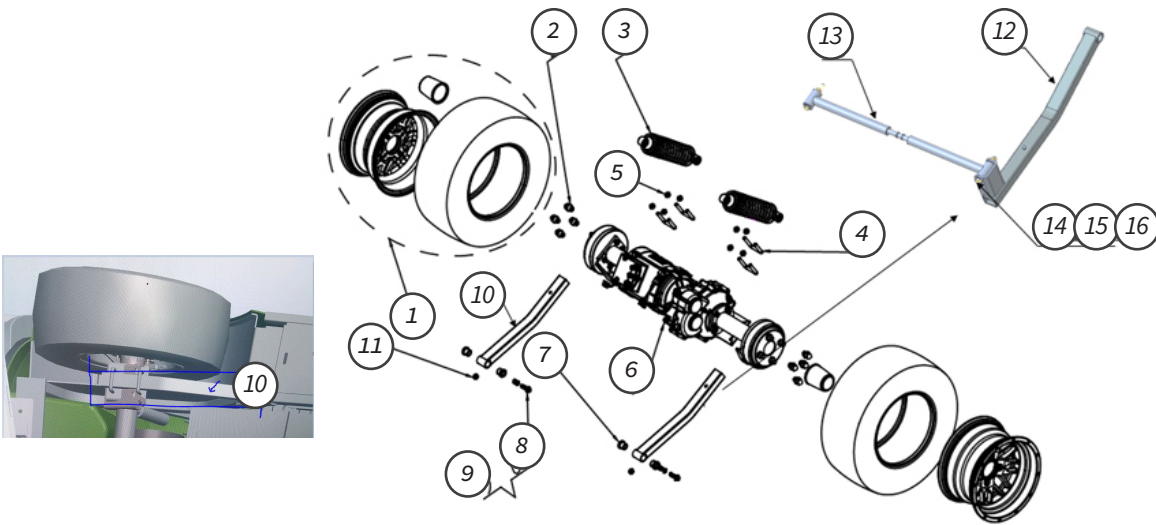
## 2 Front Suspension



Item No.	STAR EV Part No.	Description	MPN	Qty
1	2SC711	Upper Control Arm (Passenger side)	3102012032	1
2	2SC710	Upper Control Arm (Driver Side)	3102012033	1
3	2SC731	Bolt for camber plate, M10x90, zinc plated	2200100071000	1
4	Hardware	M10 washer, Zinc plated	2200700027000	1
5	3HD156	M10, zinc plated	2200401010000	1
6	2SC713	Lower Control Arm (Passenger)	3102013870	1
7	2SC712	Lower Control Arm (Driver Side)	3102013874	1
8	Hardware	Hex bolt, M10x80, Zinc plated	2200100254000	1
9	Hardware	Washer, M10, Zinc plated	2200700027000	1
10	3HD156	Nut, M10, Zinc plated	2200401010000	1
11	2SC730	Adjustable Camber plate, Q235 / 5.0mm steel, black powder coated	2207301154010	1
12	Hardware	Hex bolt, M10x60 A2-70 Stainless steel (SS)	2200100165000	1
13	3HD120	Nut, M10, SS	2200400005000	1
14	3HD116	Washer, M10, SS	2200701014000	1
	2SP700	Spindle Assembly, driver side. Includes bearing hub and hub bolts (2 and 2+2)	2201802087A00	1
15 & 16	2SP750	Spindle Assembly - includes bearing hub and hub bolts -Driver side for Sirius 4P/4+2	2201802090A10	1
	2SP702	Spindle Only - Driver side for Sirius 2P/2+2		
	2SP752	Spindle Only - Driver side for Sirius 4P/4+2		
15	2SP755	Spindle Only - Driver side for Sirius Lifted	2205400032A00	1
17	2HU700	Front hub	2205100155A10	1
18	2BE001	44643 Hub Bearing for Sirius front hub, May 2018 & Newer Sirius	2201200019000	1

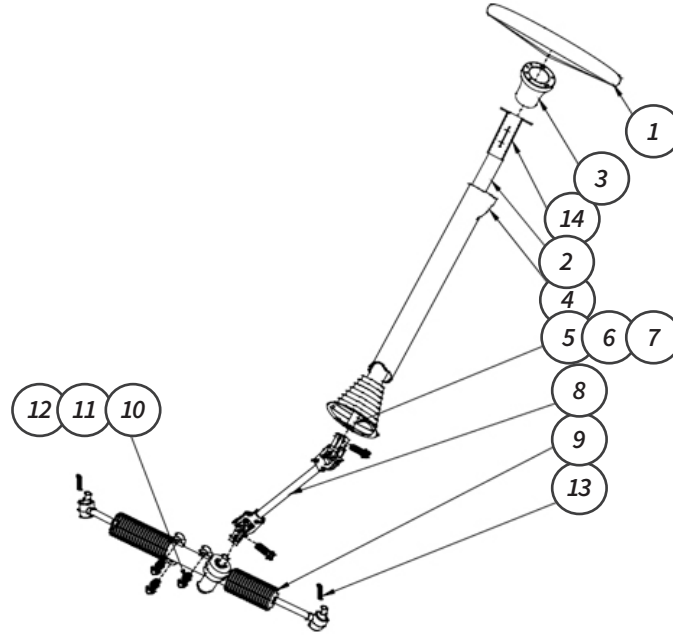
19	2OL701	52 x 30 x 10 mm Oil Seal for Sirius (After May 2018) w/ spindle diameter 25.4mm (Current)	2301300027000	1
20	2SP901	M24 x 1.5 Slotted castle nut for Spindles -Sirius	2200403009000	1
21	2HD201	Clevis pin, 4 x 5 zinc plated	2200900011000	1
22 & 23	2SP701	Spindle Assembly, passenger side. Includes bearing hub and hub bolts (2 and 2+2)	2018020890A10	1
	2SP751	Spindle Assembly - Includes bearing hub and hub bolts -Passenger side for Sirius 4P/4+2	2201802091A10	1
	2SP703	Spindle Only - Passenger side for Sirius 2P/2+2		1
	2SP753	Spindle Only - Passenger side for Sirius 4P/4+2		1
22	2SP756	Spindle Only - Passenger side for Sirius Lifted	2205400033A00	1
24	2HU700	Hub, 2pc/set	2205100155A10	1
25	2BE001	44643 Hub Bearing for Sirius front hub, May 2018 and Newer Sirius	2201200019000	1
25	2BE700	32004x Bearing for Sirius front suspension (Hub) (Before May 2018)	2201200205000	1
26	2OL701	52 x 30 x 10 mm Oil Seal for Sirius (After May 2018) w/ spindle diameter 25.4mm (Current)	2301300027000	1
26	2OL700	Oil Seal, 42 x 30 x 7mm	2301300047000	1
27	2SP901	M24 x 1.5 Slotted castle nut for Spindles -Sirius	2200403009000	1
28	2HD201	Locker Pin, 4 x 35 Zinc plated	2200900011000	1
29	Hardware	Washer, M20, 1.6~1.7mm thick, Zinc plated	2200700057000	1
30-1	2SC740	Front Shock assembly, adjustable, spring diameter 12mm 9 colil for 2P, 2+2, 4 and 4+2	2205300068A10	1
31	Hardware	Hex bolt, M10x50, Zinc plated	2200100054000	1
32	Hardware	Hex bolt, M10x50, Zinc plated	2200100096000	1
33	Hardware	Washer, M10, zinc plated	2200700076000	1
34	Hardware	Lock washer, M10, Zinc plated	2200701014000	1
35	2TR507	Tire/rim assembly 20.5x9.00-12 tire 12x7, -15mm Aluminum rim	2301400206A00	1
A-35	2TR120	23 x 10.5 - 12 4PR Tire 12" Twister for Sport & Sirius Lifted		
36	2RM285	12 x 7 Honeycomb Spoke Pattern, Machined Black (-15 mm offset)	2205100194000	2
B-36	2RM287	12 x 7 (-43mm offset) Machined Black (includes Center Cap) for Sirius Lifted		
37	2LN050	Lug nuts, M12 x 1.25, chrome plated	2200406003000	8
37A	2LN052	Front Silver Stud for HUB for Sirius	2200103136000	8

### 3 Rear Suspension



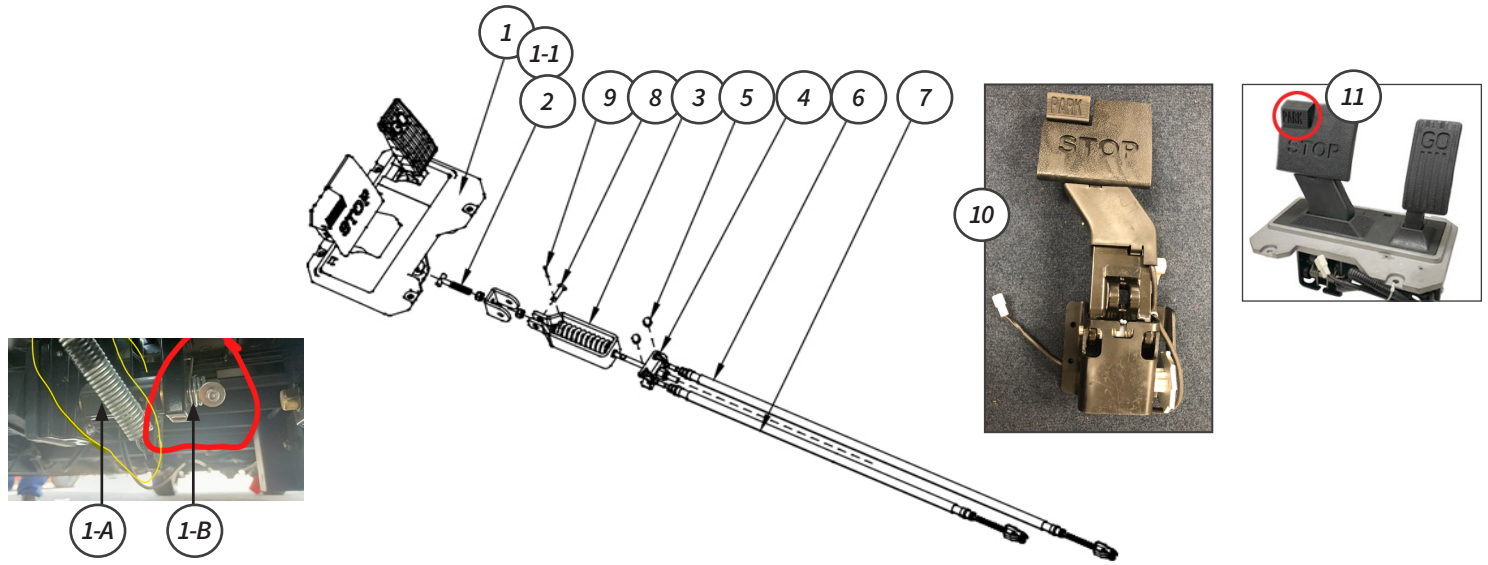
Item No.	STAR EV Part No.	Description	MPN	Qty
1	2TR507	Tire/rim assembly 20.5 x 9.00-12 tire, 12 x 7, -15 mm Aluminum rim	2301400206A00	2
	2TR120	23 x 10.5-12 4PR Tire 12" Twister for Sirius Lifted		
	2RM287	12 x 7 (-43mm offset) Machined Black (includes Center Cap) for Sirius Lifted		
2	2LN050	Lug Nut, M12*1.25, chrome, capped	2200406003000	8
3	2SK700	Rear shock with coil, adjustable	2205300065A00	2
	2SK750	Mounting Plate Rear Shock for Sirius Lifted w/ Hardware	2205001887000	2
4	2LF013	U-Bolt, 40Cr or 45# Steel, Zinc Plated SIRIUS	2200104044A00	4
5	3HD142	M10 x 1.25, Lock nut, Metal, zinc plated-for U-Bolt	2200404004000	8
6		Rear end assembly with motor and drum brakes		
	2RE700	Rear end assembly with brakes for KDS (2 and 2+2)		
	2RE701	Rear end assembly with brakes for QDS™ (2 and 2+2)		
	2RE705	Rear end assembly with hydraulic brakes for QDS™ (4 and 4+2)	2204400208A00	1
7	2BS750	Nylon bushing, black 28 x 22 x 14	2301900004C00	4
8	3HD138	Bolt, 40Cr/45 steel, M13 x 89 (use 70mm), Zinc plated	2200103003C00	2
9	3HD145	M10 x 1.25, Lock nut, Metal, zinc plated-for U-Bolt	4102020037	2
	2RR702	Back Rear Swing Frame Assembly Black 4mm (Driver or Passenger Side) for SIRIUS	2103001530	2
	2RR600	Rear Sway Bar Assembly for Non-Lifted - Sirius	2103021003	
	2RR603	Rear Sway Bar for Lifted - Sirius	3302028492	
	2RR731	Stabilizer Bar for Non-lifted Sirius	2104015466	
11		Grease fitting, M8z1, stainless steel	2202500003000	2
12		Trailing arm assembly- passenger side	3304029716	1
13		Sway bay	2104015466	1
14		Coarse-toothed hexagonal head bolts	4101010018	2
15		Flat washers	4104010035	2
16		Metal inserts, coarse teeth, hexagonal flange face lock nuts	4102020036	2

## 4 Steering System



Item No.	STAR EV Part No.	Description	MPN	Qty
1	2SL170	Steering Wheel, Outside diameter $\Phi 320$ , Spline M = 0.423, Z = 40	2207700028000	1
	2SL305	Black Anodized Verona Steering Wheel - Default for Sirius (2SL301 Should Be Included)	W381-VEROB-WH	1
	2SL260	Steering Wheel Adapter - Black Verona for Star Sirius & Classic Use w/ 2SL300 ONLYsic Use w/ 2SL300 ONLY	524STAR_EV hub PN	
2	2ST155	Steering Column, powder coated	2205600022A00	1
3	2SL257	Steering wheel adapter, alloy, Chrome plated	2205700020A00	1
4	2SL217	Steering column side cover, 45 x 6.5 x 3.5 cm, H-Shape	2301900059C00	1
5	Hardware	Hex Bolt, M10 x 40 Zinc plated	2200100076000	1
6	3HD153	Flat washer, M10 Zinc plated	2200700076000	8
7	3HD156	Nylon lock nut, M10, zinc plated	2200401010000	4
8	2ST280	Lower steering shaft/steering column connection, 80mm, includes M8 x 25 hex bolt, washer and lock washer, rubber boot	2206000002C00	1
9	2ST515	Steering rack with ball studs, rack-pinion, double ended , 180 mm travel	2207800034A20	1
10	Hardware	Hex bolt, M10*55, zinc plated	2200102003000	3
11	3HD142	Lock nut, Metal, M10 x 1.5, zinc plated	2200404004000	3
12	2HD141	M10x1.5, Zinc plated	2200400009000	3
13		Lock Pin, 3 x 40 zinc plated	2200900010000	2
14		Mounting plate for combo switch, Zinc plated	2207301410A00	1
15	2ST041	Boot steering column for Sirius	2200014074000	1
16	2ST615	Ball joint redirector, steering box, rack & pinion Sirius	2209000056000	2
17	2ST043	Boot - Steering rack for Sirius	2209000056000	2

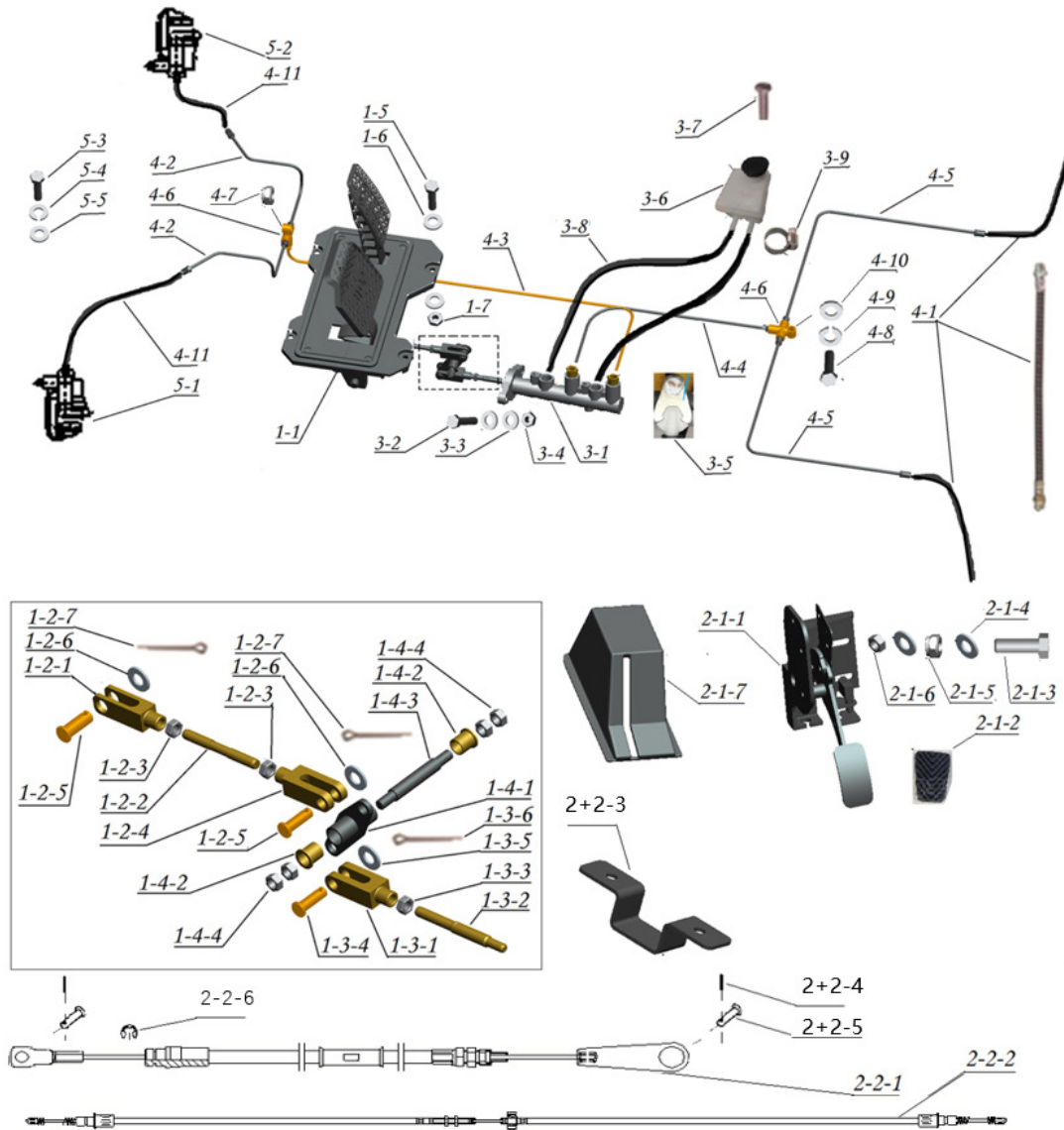
## 5 Brake System for 2 and 2+2



Item No.	STAR EV Part No.	Description	MPN	Qty
1	2PD700	Foot Pedal Assembly - throttle and brake for 2P Sirius with Manual brakes	2206200273000	1
1-A	2BM701	GO pedal SPRING $\phi 16 \times 90, 26$ circles, white zinc Sirius	2201100130000	1
1-B	2BM702	STOP pedal SPRING $\phi 16 \times 82, 21$ circles, white zinc Sirius	2201100129000	1
1-1	2SW612	Brake switch only	2101400185000	1
1-2	2AC750	Accelerator - throttle box for Sirius 2P / 2+2	2102700026000	1
2	2PB701	Pull rod	2204800079A00	1
3	2PB700	Brake compensator	2206100126000	1
4	2BM700	Brake balancer, 57 x 30.5 x 24mm, zinc plated	2208605001C00	1
5	2BM705	Rubber plug. $\phi 12 \times \phi 11 \times \phi 10 \times 14.2$ , black	2301906013C00	2
6	2CB701	Brake cable-long, passenger side, 1180*1040, diameter 7mm, free travel $70 \pm 2$ mm	2206900007C00	1
7	2CB700	Brake cable-short, driver side, 940*800, diameter 7mm, travel $70 \pm 2$ mm	2206900008C00	1
8	2HD200	Lock Pin, M8 x 20	2200902002000	2
9		Lock Pin, 2.5*16, zinc plated	2200900005000	2
10	2PD710	Brake Pedal (Black) for 2P Sirius with Manual brakes	2200016693000	1
11	2PD711	"PARK" pedal on Brake Pedal for 2P Sirius with Manual brakes	3600000707	1



# 5-1 Hydraulic Brake System for 2 and 2+2

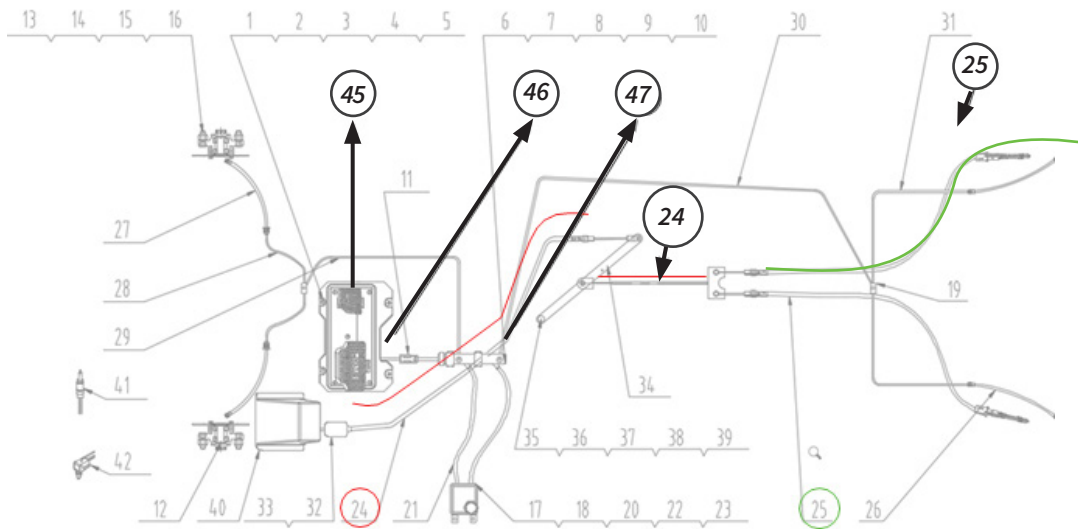


Item No.	STAR EV Part No.	Description	MPN	Qty
1		Brake pedal mounting accessory	2103002858	1
1-1	2PD750	Brake pedal assembly	3103030036	1
1-2	2PD770	Main base connecting rod	3302000777	1
1-2-1		Brake pedal main connector	3302000080	1
1-2-2		Main connector connecting rod	3307000896	1
1-2-3		Hexagon nuts	4102010014	2
1-2-4		Brake pedal hydraulic connector	3302000079	1
1-2-5		Pin shaft	3303000304	1
1-2-6		Flat pads	4104010058	2
1-2-7		Cotter pins	4107030005	2
1-3	2MC051	Brake master cylinder adjustable actuator	3302005529	1
1-3-1		Brake pedal hydraulic connector (aftermarket)	3600001814	1

1-3-2		Hydraulic pump push rod (aftermarket)	3600001813	1
1-3-3		Hexagon nuts	4102010014	1
1-3-4		Pin shaft	3303000304	1
1-3-5		Flat pads	4104010058	1
1-3-6		Cotter pins	4107030005	1
1-4	2PD771	Hydraulic connecting rod bushing	3304006285	1
1-4-1		Bushing bracket	3304006391	1
1-4-2		Hydraulically connected fixed bushings	3303000316	2
1-4-3		Axle rod	3303000419	1
1-4-4		Hexagon nuts	4102010014	4
1-5		Hexagon flat round head screws	4103080041	4
1-6		Flat pads	4104010058	8
1-7		All-metal insert lock nut	4102020043	4
2		Parking device	2103000523	1
2-1		Parking pedals and mounting accessories	2103001531	1
2-1-1	2PD760	Parking pedals	3301000609	1
2-1-2	2PD761	Foot pedal pads	3408000175	1
2-1-3		Coarse tooth fully threaded hexagonal head bolts	4101010213	2
2-1-4		Large washers	4104010089	4
2-1-5		All-metal insert lock nut	4102020043	2
2-1-6		Type 1 all-metal insert hexagonal lock nut	4102020043	2
2-1-7	2PB143	Parking box	3402000619	1
2-2		Parking cable and installation accessories	2103007738	1
2-2-1		Brake cable assembly	3103045147	1
2-2-2	2CB065	Brake cable assembly	3103040007	1
2-2-3		Brake wire fixing lugs	3302002121	1
2-2-4		Pin shaft	3303000304	2
2-2-5		Cotter pins	4107030005	2
2-2-6	2CB084	Open retaining rings	4105010015	1
3		Brake cylinder mounting accessories	2103000604	1
3-1	2MC050	Brake cylinder assembly	3103023889	1
3-2		Hexagon bolts	4101010125	2
3-3		Flat pads	4104010058	4
3-4		All-metal insert lock nut	4102020043	2
3-5		Gaskets	3302008007	4
3-6	2TB030	Oil jugs	3406000399	1
3-7		Cross grooved flat head screws	4103130018	2
3-8		Flat pads	4104010057	2
3-9		All-metal insert lock nut	4102020042	2
3-10	2TB029	Oil-resistant tubing	3408000236	1.5
3-11		Clamps	3307000512	4
3-12		Over-oiled bolts	4501000026	2
4		Brake hose assembly	2103000582	1
4-1	2TB234	Soft tubing assemblies	3103060129	2
4-2	2TB701	Tubing (front left)	3103060037	2

4-3	2TB702	Tubing (front)	3103060039	1
4-4	2TB231	Brake oil hose 800	3103060162	1
4-5	2TB704	Tubing (rear)	3103060041	2
4-6	2TB242	3-way valve	3307000317	2
4-7		All-metal insert lock nut	4102020043	1
4-8		Hexagon bolts	4101010088	1
4-9		Spring-pads	4104020019	1
4-10		Flat pads	4104010035	1
4-11	2TB700	Disc brake assembly oil pipe	3103062156	2
5		Front brakes	2103002919	1
5-1	2CL710	Left brake assembly	3103011067	1
5-2	2CL711	Right brake assembly	3103011068	1
5-3		Hexagon bolts	4101010123	2
5-4		Spring-pads	4104020032	2
5-5		Flat pads	4104010058	2
6		EV-G4 brake pedal mounting plate assembly	2103022113	1
6-1		Front bake pedal mounting plate	3302030384	1
6-2		Rear bake pedal mounting plate	3302012470	1
6-3		Coarse tooth fully threaded hexagonal head bolts	4101010129	2
6-4		Coarse tooth fully threaded hexagonal head bolts	4101010213	2
6-5		Flat washers	4104010058	8
6-6		Type 1 all-metal insert hexagonal lock nut	4102020043	4

## 5-2 Hydraulic Brake System for 4 and 4+2

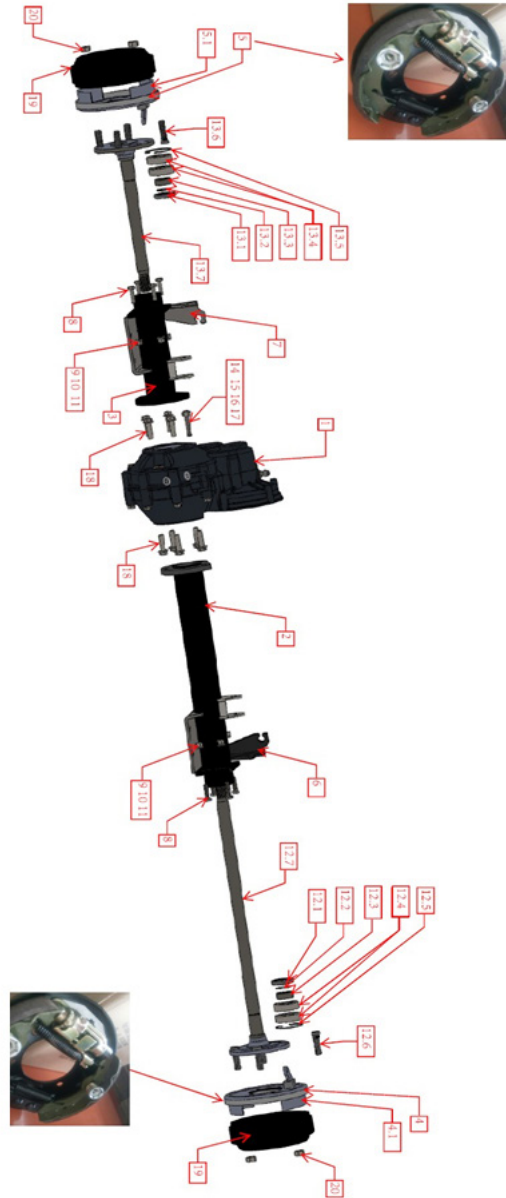


Item No.	STAR EV Part No.	Description	MPN	Qty
1	2PD750	Foot Pedal Assembly - throttle and brake for 4P Sirius with Hydraulic brakes	2206200197000	1
1-A	2PD765	Accelerator pedal for 4P Sirius with Hydraulic brakes (GO pedal) (shown below in photos)	2206200275000	1
1-B	2PD766	Brake pedal for 4P Sirius with Hydraulic brakes (STOP pedal) (shown below in photos)	2206200274000	1
1-1	2SW612	Brake switch only	2101400185000	1
1-2	2AC755	Accelerator - throttle box model WTF-1290465 for Sirius 4P / 4+2	2102000036000	1
2	Hardware	Cylindrical head socket screw	2200301086000	4
3	Hardware	Flat washer	2200700022000	8
4	Hardware	Spring washer	1205002002000	4
5	Hardware	Hexagon lock nut with non-metallic insert	2200401008000	4
6	2MC050	Brake master cylinder	2206300005000	1
7	Hardware	Hexagon bolt	2200100080000	2
8	Hardware	Spring washer	2200701011000	2
9	Hardware	Flat washer	2200700023000	4
10	3HD832	M8, hex bolt, zinc plated	2200400012000	2
11		Split pin 2.5*22	2200900008000	3
12	2CL710	FRONT Driver Side CALIPERS w/ pads for 4P or 4+2 Sirius	2205500079000	1
13	2CL711	FRONT Pass.Side CALIPERS w/ pads for 4P or 4+2 Sirius	2205500080000	1
	2CY301	Wheel Cylinder REAR for Sirius 4, 4+2	2204300094000	2
	2RT700	Front Disc / Rotars	2205200064000	2

	2SH055	Set of Brake Pads (Driver or Passenger) for 4P, 4+2	2204500131000	1 set = 4pcs
14	3HD089	Hexagon socket bolt with cylindrical head	2200300036000	4
15		Oil bolt M10*1.0	2200103015000	2
16	Hardware	Sealing washer	2200703009000	4
17	2TB030	Brake Fluid Reservoir tank	2303300013A00	1
19	2TB242	Tee Joint valve	2201706001000	2
20	Hardware	Flat washer	2200700085000	2
21	2TB029	Tube for Brake Reservoir- Sirius	2300500002000	1.5
22		Oil cup oil pipe clamp	2207901002000	4
23		Brake oil DOT3	9601004608000	1
24	2CB710	Park on line 1	2900500154A00	1
24-B	2CB710-B	Parking Brake Cable #1 SHORT (Main) for Sirius	2900500154A00	1
25	2CB711	Park on line 2	2900500155A00	1
26	2TB700	40 cm rear brake tubing for 4P Sirius	2206700038000	2
27	2TB234	Front disc flexible Tube 40cm for Sirius	2206700037000	2
28	2TB701	24 cm Front (item 28) brake tubing for 4P Sirius	2206700145A00	2
29	2TB702	74 cm Front (item 29) brake tubing for 4P Sirius	2206700146A00	1
30	2TB703	155 cm Middle (item 30) brake tubing for 4P Sirius	2206700147A00	1
31	2TB704	55 cm Rear (item 31) brake tubing for 4P Sirius	2206700148A00	2
32	2PD760	Parking pedal	2206200253A00	1
33	2PD761	Foot pedal rubber pad for Parking brake	2301903132000	1
34	2PB710	Parking lever arm for parking brake cables on 4P Sirius	2204700132A00	1
35	2BS752	Parking axle bushing for Sirius 4+2	2202100357000	1
36	Hardware	Hexagon bolt M10*65	2200100122000	1
37	Hardware	Hexagon bolt M8*25	2200100029000	2
38	3HD156	Hexagon lock nut with non-metallic insert M10	2200401010000	2
39	Hardware	Hexagon nut M8	1204901008000	2
40	2PB143	Parking brake cover	2206901053A00	1
41	2SW611	Braking light switch	2101400002000	1
42	2SW541	Microswitch	2200012594000	1
43	2BM710	M8 x 30 Bolt for front disc brake	2200100412000	8
44	2MB711	Flat Washer 8x1 for front disc brake	2200700172000	8
45	2PD765	Accelerator pedal for 4 P Sirius w/Hydraulic brakes	2206200275000	1
46	2PD770	Linkage Connection Rod w/ 2 Yokes Sirius 4+2 Hydraulic		1
47	2PD771	Pivot Arm for Master Cylinder for Sirius 4+2 Hydraulic		1



## 6 Rear End (KDS System for 2 and 2+2, before September 2018)



Item No.	STAR EV Part No.	Description	MPN	Qty
	2RE700	Rear end assembly with brakes for KDS 2 and 2+2	2204400145A00	1
1	2RR750	Differential case, 12.4:1, 5SD246078	2204100105000	1
2	2AX761	Axle Sleeve-Long, passenger side, 5SD210028	2202100329000	1
3	2AX760	Axle Sleeve-short, driver side, 5SD210029	2202100330000	1
4	2BP705	REAR Driver Side Backing Plate for Sirius 2/2+2 QDS™ System	2205500192000	1
4.1	2SH700	KDS Sirius Brake shoe	2204500073000	2
5	2BP706	REAR Passenger Side Backing Plate for Sirius 2/2+2 - QDS™ System	2205500130000	1
6		Brake bracket, Passenger side, 8SD040269	2207201747000	1
7		Holder, driver side, 8SD040268	2207201748000	1
8	Hardware	Hex Bolt, M8 x 25, GLS000009	2200100398000	8

9	Hardware	Hex nut, M8, GLM000002	2200401045000	8
10	Hardware	Lock washer, GDP000003	2301908116000	8
11		Flat gasket, GDP000014	2301908117000	8
12.1		Oil Seal, GMF000006	2301300063000	1
12.2		Snap ring ext, GDQ000002	2200800023000	1
12.3		Axle bushing, GB0100012	2301903036000	1
12.4		Axle bearing, deep groove ball bearing, GZC000005	2201200233000	2
12.5		Snap ring, INT, GDQ000003	2200900044000	1
12.6	2LN053	Rear Axle Stud (Gold) 8SD906105 for Sirius	2200600022000	8
12.7	2AX751	Half Axle Long shaft (Passenger Side) for SIRIUS 2P -4+2 8SD2003103	2202100331000	1
13.1		Oil Seal, GMF000006	2301300063000	1
13.2		Snap ring, EXT, GDQ000002	2200800023000	1
13.3		Axle bushing, GB0100012	2301903036000	1
13.4		Axle bearing, deep groove ball bearing, GZC000005	2201200233000	2
13.5		Snap ring INT, GDQ000003	2200900044000	1
13.6	2LN053	Tire bolt, 8SD906105	2200600022000	4
13.7	2AX750	Half Axle Short Shaft (Driver Side) for SIRIUS 2P - 4+2, 8SD2003104	2202100332000	1
14	Hardware	Screw, M10 x 55, GLS000017	2700900028000	1
15	Hardware	Hex nut, M10, GLM000005	2200401046000	1
16	Hardware	Lock washer, 060905	2301908118000	1
17		Flat gasket, 030874	2301908119000	1
18	Hardware	Hex head flange bolt, M10, GLS000014	2200600038000	9
19	2DM140	REAR Brake drum, GB0000003, KDS SYSTEM 2 / 2+2	2205100178000	2
20	Hardware	Hex nut, M12x1.25, 062461	2200401047000	4
12.1		Oil Seal, GMF000006	2301300063000	1
12.2		Snap ring ext, GDQ000002	2200800023000	1
12.3		Axle bushing, GB0100012	2301903036000	1
12.4		Axle bearing, deep groove ball bearing, GZC000005	2201200233000	2
12.5		Snap ring, INT, GDQ000003	2200900044000	1
12.6	2LN053	Rear Axle Stud (Gold) 8SD906105 for Sirius	2200600022000	8
12.7	2AX751	Half Axle Long shaft (Passenger Side) for SIRIUS 2P -4+2 8SD2003103	2202100331000	1
13.1		Oil Seal, GMF000006	2301300063000	1
13.2		Snap ring, EXT, GDQ000002	2200800023000	1
13.3		Axle bushing, GB0100012	2301903036000	1
13.4		Axle bearing, deep groove ball bearing, GZC000005	2201200233000	2
13.5		Snap ring INT, GDQ000003	2200900044000	1
13.6	2LN053	Tire bolt, 8SD906105	2200600022000	4
13.7	2AX750	Half Axle Short Shaft (Driver Side) for SIRIUS 2P - 4+2, 8SD2003104	2202100332000	1
14	Hardware	Screw, M10 x 55, GLS000017	2700900028000	1
15	Hardware	Hex nut, M10, GLM000005	2200401046000	1
16	Hardware	Lock washer, 060905	2301908118000	1
17		Flat gasket, 030874	2301908119000	1

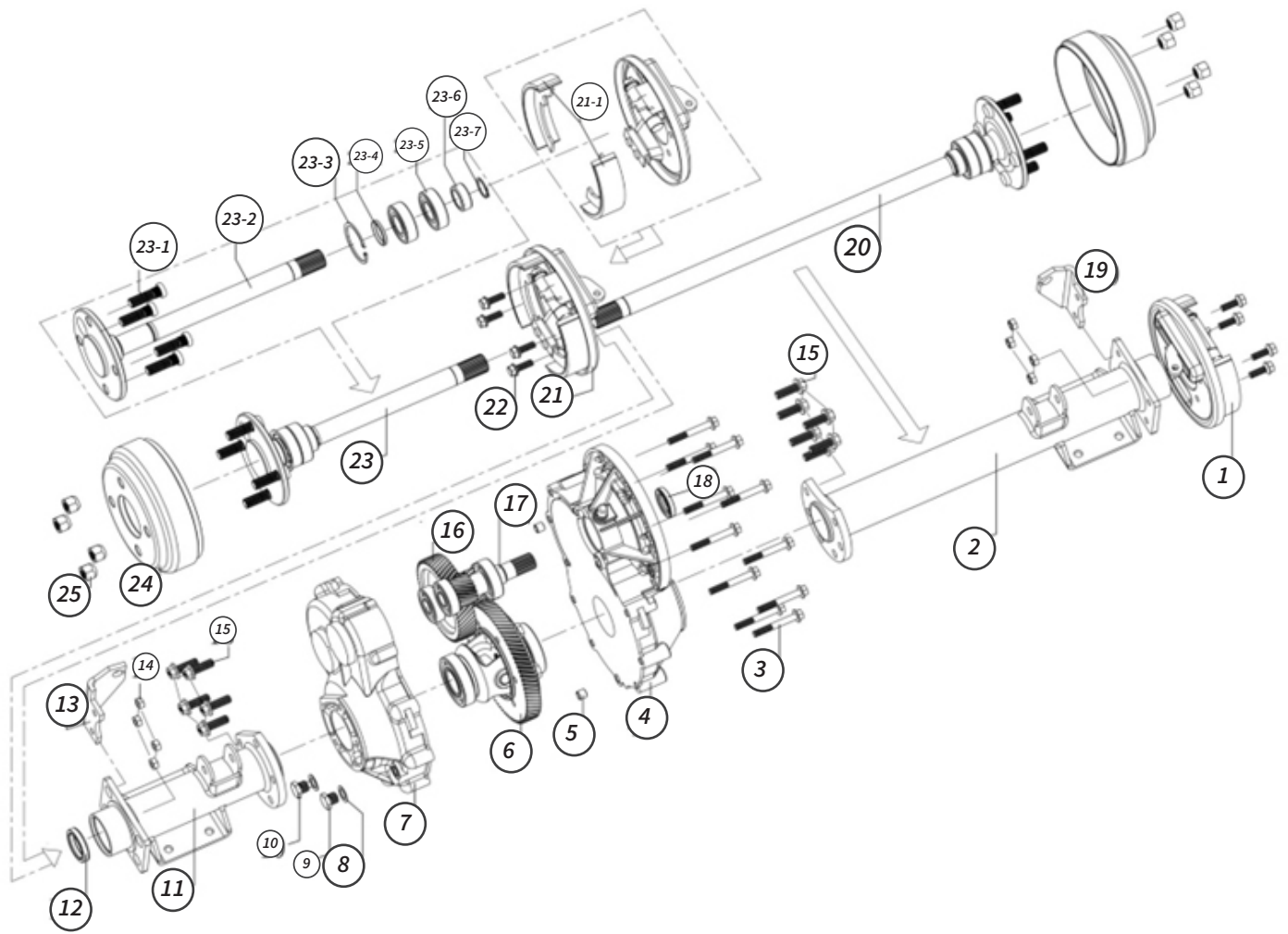
18	Hardware	Hex head flange bolt, M10, GLS000014	2200600038000	9
19	2DM140	REAR Brake drum, GB0000003, KDS SYSTEM 2 / 2+2	2205100178000	2
20	Hardware	Hex nut, M12x1.25, 062461	2200401047000	4



## 6-1 QDS™ Rear End for 2 and 2+2 (After September 2018)



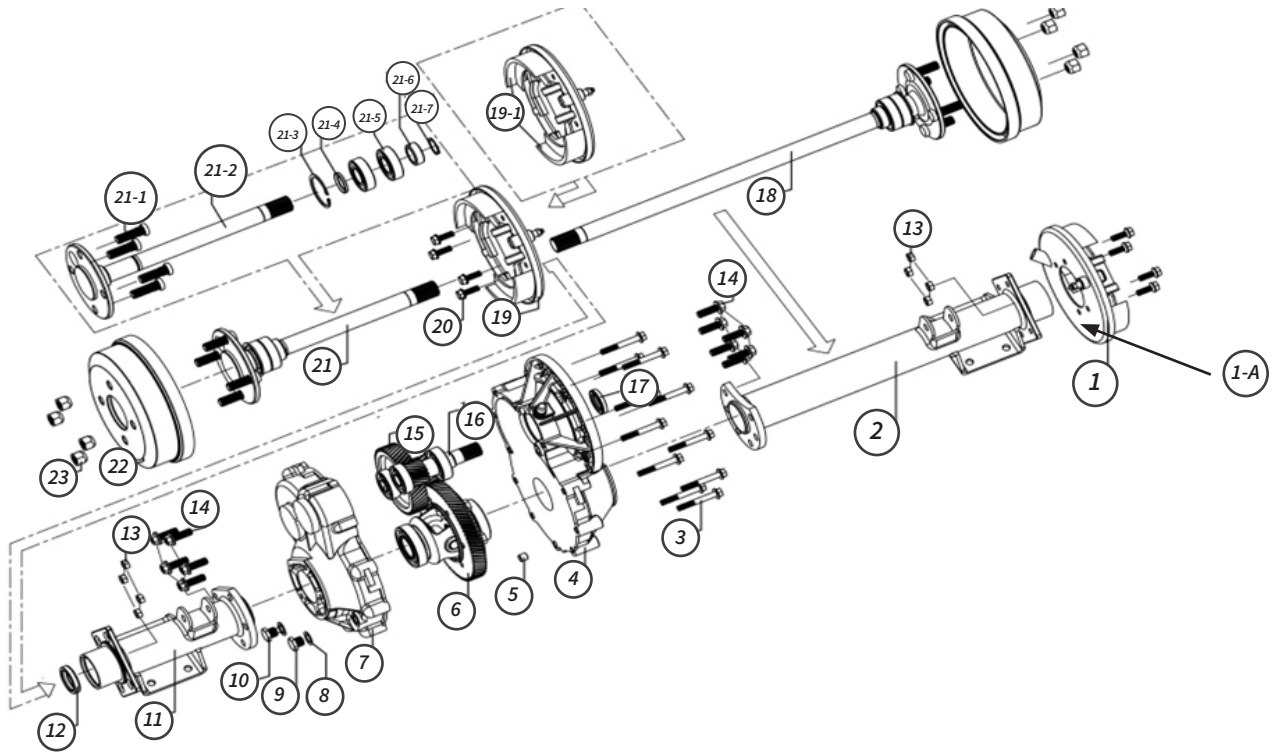
Item No.	STAR EV Part No.	Description	MPN	Qty
1	2RE701	Complete Rear and assembly with brakes for QDS™ 2 and 2+2	2200015214S00	1
2	2SH071	Brake shoes	2204500084000	1
3	2DM140	REAR Brake drum QDS™ SYSTEM 2 / 2+2	2205100192000	1
4	2BP705	REAR Driver Side Backing Plate for Sirius 2/2+2 - QDS™ System	2205500192000	1
5	2BP706	REAR Passenger Side Backing Plate Sirius 2/2+2 - QDS™ System	2205500130000	1



Item No.	STAR EV Part No.	Description	MPN	Qty
1	2BP720	Backing plate assembly, driver side LY125M-J160-01, $\phi 160$	3600001341	1
2	2AX761	Long tube (Sleeve) LY125M-5002	3302004617	1
3	2RR744	Housing connection bolts LY125M-4008, M8*60	3600001793	11
4	2RR743	Transmission front housing LY125M-4001	3600001794	1
5	2RR742	Hollow dowel pins LY125M-4003, $\phi 8.5 * \phi 10 * 10$	3600001795	2
6	2RR741	Differential assembly LY125M-3000	3600001796	1
7	2RR740	Rear housing of the transmission	3600001797	1
8	2RR739	Aluminum gaskets LY125M-4002	3600001798	2
10	2RR737	Oil drain screw plug LY125M-4006, M14*1.5	3600001800	1
11	2AX760	Short tubes (Sleeve) LY125M-5001	3302004616	1
12	2OL800	Half shaft oil seal LY125M-5008, $\phi 34 * \phi 45 * 8$	3410004380	2
13	2RR735	Left cable bracket LY125M-5015-01	3301000760	1
14	2BP712	Brake nut LY125M-5014, 5/16-24	3600001801	8
15	2RR734	Coupling disc bolts LY125M-5003, M10*30	3600001802	11
16	2RR733	Intermediate shaft assembly LY125M-2000	3303000415	1

17	2RR732	Input axis assembly LY125M-1000	3303000270	1
18	2OL711	Input shaft oil seal LY125M-4007, $\phi 25 \times \phi 40 \times 7$	3600001803	1
19	2RR736	Right pull cable bracket	3301000768	1
20	2AX751	Long half-shaft assembly LY125M-5015-02	3600000506	1
21	2BP721	Backing plate assembly, passenger side LY125M-J160-02 $\phi 160$	3600001342	1
22	2BP713	Brake bolts LY125M-5013, 5/16-24	3600001804	8
23	2AX750	Short half-shaft assembly LY125M-5000	3303000152	1
24	2DM140	Brake drums LY125M-G160, $\phi 160$	3600000277	2
25	2LN050	Hub nuts LY125M-5016, M12*1.25	3600001590	8
21-1	2SH075	Brake shoes LY125M-J160-0102	3600001277	4
23-1	2LN055	Hub bolts LY125M-5010, M12*1.25	4101080374	8
23-2		Short half axis LY125M-5004, LY125M-5011	3303000129	1
23-3	2BE710	Half shaft bearing retaining rings LY125M-5009, $\phi 52$	3600001805	2
23-4	2BE711	Washer LY125M-5012, $\phi 25.5 \times \phi 34 \times 4$	3600001806	2
23-5	2BE003	Half-shaft bearings LY125M-5005, 6205-2RS	3600001807	4
23-6	2OL710	Half-shaft bearing spacer sleeve LY125M-5006, $\phi 25 \times \phi 34 \times 13$	3303000093	2
23-7	2BE712	Retaining rings LY125M-5007, $\phi 25$	3600001808	2

## 6-2 QDS™ Rear End for 4 and 4+2



Item No.	STAR EV Part No.	Description	MPN	Qty
1	2BP711	REAR Passenger Side Backing Plate Assembly $\phi 180$ For Hydraulic SIRIUS OR Hydraulic CAPELLA	3600000409	1
1-A	2SH000	Shoe - Front (Brake) (1 Piece) for Sirius		2
2	2AX766	Axle SLEEVE Long Shaft (Passenger Side) for Sirius 4/4+2 - QDS System	3302004615	1
3	2RR744	Housing connection bolts M8*60 for Rear End assembly for Sirius 2P 2+2	3600001793	11
4	2RR743	Transmission front housing LY125M-4001 for Sirius 2P 2+2	3600001794	1
5	2RR742	Hollow dowel pins LY125M-4003 $\phi 8.5 \times \phi 10 \times 10$ for Sirius 2P 2+2	3600001795	2
6	2RR741	Differential assembly LY125M-3000 For Sirius 2P 2+2	3600001796	1
7	2RR740	Rear housing of the transmission For Sirius 2P 2+2	3600001797	1
8	2RR739	Aluminum gaskets LY125M-4002 LY125M-4004 $\phi 14 \times \phi 22 \times 1$ For Sirius 2P 2+2	3600001798	2
9	2RR738	Refueling screw plug LY125M-4005 M14*1.5 For Sirius 2P 2+2	3600001799	1
10	2RR737	Oil drain screw plug LY125M-4006 M14*1.5 For Sirius 2P 2+2	3600001800	1
11	2AX760	Axle SLEEVE Short shaft (Driver Side) for SIRIUS 2P - MANUAL ONLY	3302004616	1
12	2OL800	34 x 45 x 8 Oil Seal for Half Axle - SIRIUS	3410004380	2
13		Brake nuts	3600001801	8

14	2RR734	Coupling disc bolts LY125M-5003 M10*30 For Sirius 2P 2+2	3600001802	11
15	2RR733	Intermediate shaft assembly LY125M-2000 For Sirius 2P 2+2	3303000415	1
16	2RR732	Input axis assembly LY125M-1000 For Sirius 2P 2+2	3303000270	1
17	2OL711	25 x 40 x 7 Input Shaft Oil Seal for Sirius	3600001803	1
18	2AX751	HALF AXLE Long shaft (Passenger Side) for SIRIUS	3600000506	1
19	2BP710	REAR Driver Side Backing Plate Assembly $\phi$ 180 for Hydraulic SIRIUS OR Hydraulic CAPELLA - QDS System	3600000279	1
	2SH075	NEW Rear Brake Shoe for Non-Hydraulic for Sirius	3600001277	4
20	2BP713	Hardware - Bolt for Rear Brake Assembly Sirius 4P, 4+2	3600001804	8
21	2AX750	HALF AXLE Short shaft (Driver Side) for SIRIUS 2P - 4+2	3303000152	1
	2LN055	Rear Axle Stud for SIRIUS or Capella 4P / 4+2 M12*1.25 (HUB BOLT)	4101080374	8
		Short half shaft	3303000129	1
		Half shaft bearing rings	3600001805	2
	2BE711	Washer LY125M-5012 $\phi$ 25.5* $\phi$ 34*4 for Sirius 2P 2+2	3600001806	2
	2BE003	6205Z or 6205 2RS Bearing *SEE REMARKS	3600001807	4
	2OL710	25 x 34 x 13 Half Shaft Bearing Spacer for SIRIUS	3303000093	2
	2BE712	Retaining rings LY125M-5007 $\phi$ 25 for Sirius 2P 2+2	3600001808	2
22	2DM120	REAR DRUM $\phi$ 180 for 6P for Hydraulic SIRIUS	3600000278	2
23		Hub nuts	3600001590	8

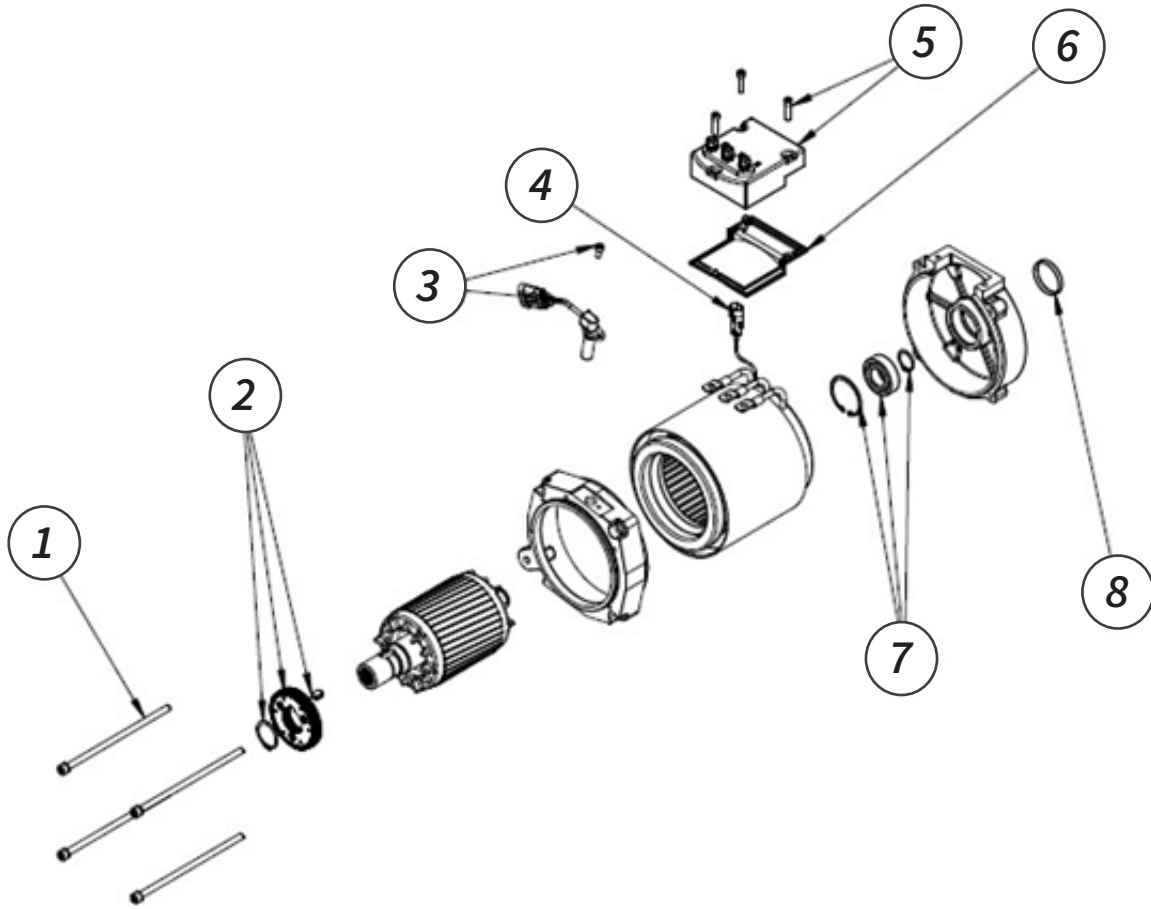
## 7-0 Motor for QDS™ System (After September 2018)



Item No.	STAR EV Part No.	Description	MPN	Qty
1	2MO701	QDS™ AC Motor, 4KW for 2 and 2+2	2101903035000	1
	2MO710	QDS™ AC Motor, 5 KW for 4 and 4+2	2101903076000	1
	2MO702	Speed sensor for QDS™ motors	2102700025000	1
2	2MO791	Speed Sensor mounting bracket kit (2 brackets w /4 small bolts)	2207302048000	1

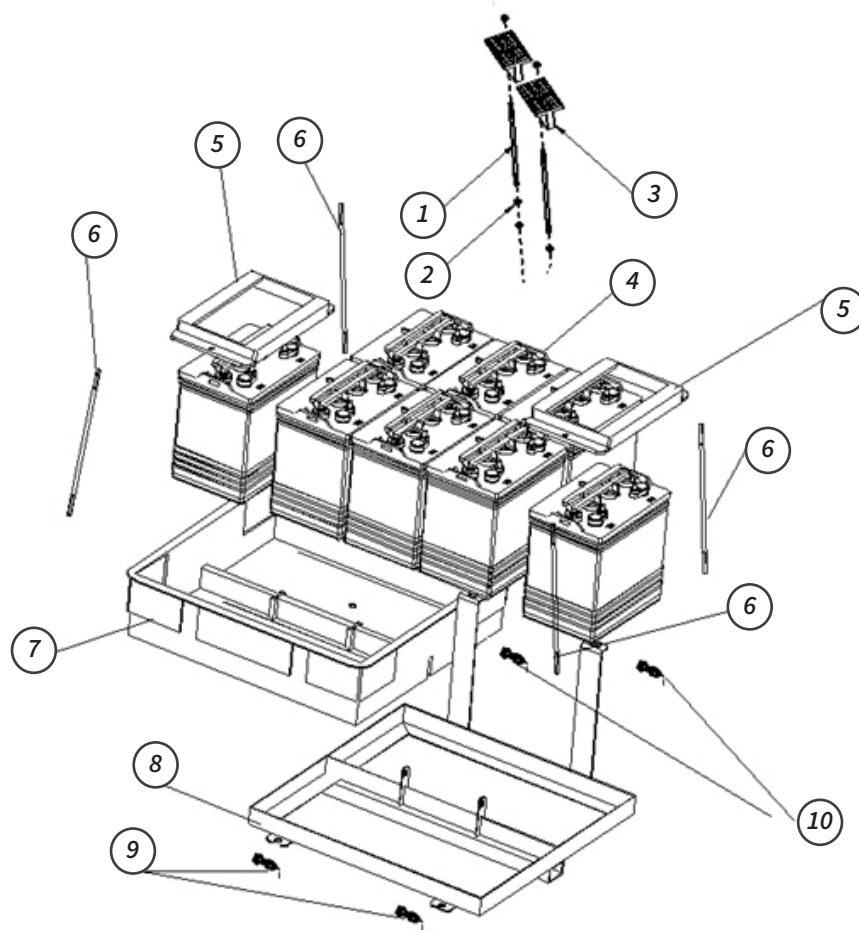


## 7-1 Motor for KDS™ System (Before September 2018)



Item No.	STAR EV Part No.	Description	MPN	Qty
	2MO700	Motor assembly, 4KW AC, KDS	2101903060000	1
1		Tie bolt service kit, 8SD.909.032AS (M8X190)	2700900029000	4
2		Pulse wheel service kit, 5SD.676.502S	2301400220000	1
3		Speed sensor service kit, 5SD.421.034S	2102700021000	1
4		Thermal sensor service kit, H-302S	2102700022000	1
5		Terminal block kit (M8), 5SD.064.280S	2902600022000	1
6		Terminal block gasket, 8SD.371.226	2301908120000	1
7		Bearing service kit, 100218AS	2202100333000	1
8		Rear end shaft cover, 8SD.310.310	2207301517000	1

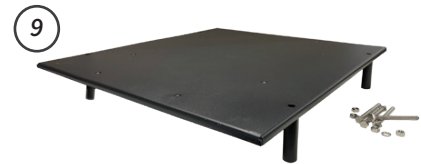
## 8 Battery Compartment



Item No.	STAR EV Part No.	Description	MPN	Qty
1	2BT057	Battery holding rod, Zinc plated	2200200029B00	2
2	3HD832	M8, hex bolt, zinc plated	2200400012000	4
3	2BT036	Battery impact block, black plastic	2207300286B10	2
4		Battery, 6V	2100101035000	1
5	2BT035	Battery holding block for two side batteries	2303400082A00	2
6	2BT058	Battery holding rod, steel rod, $\Phi 6/Q235$ , zinc plated	2200200018B10	2
7	2BT350	Battery box for center 6 batteries	2300901044A00	1
8	2BT299	Battery frame, black powder coated	2203900050A00	1
9	Hardware	Hex bolt, M8*20, Zinc plated	2200100039000	2
10	Hardware	Flat washer, M8, zinc plated	2200700023000	4
11	3HD816	Lock nut, M8 A2-70, stainless steel	2200401003000	2
12	3HD816	Lock nut, M8 A2-70, stainless steel	2200401003000	2
13	Hardware	Hex bolt, M8 x 70, zinc plated	2200100118000	2
14	Hardware	Flat washer, M8, Zinc plated	2200700023000	4

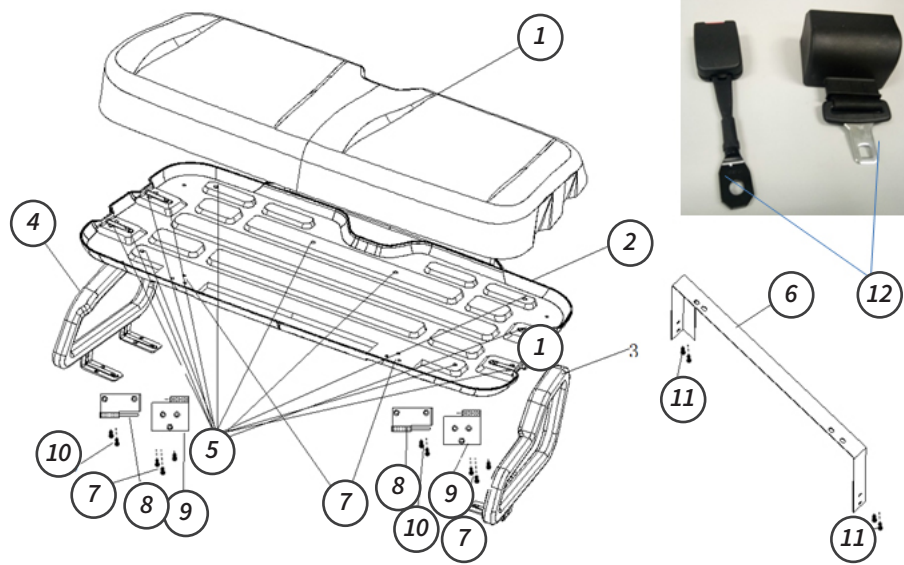


## 8-1 STAR Lithium Batteries with Plug and Play Upgrades



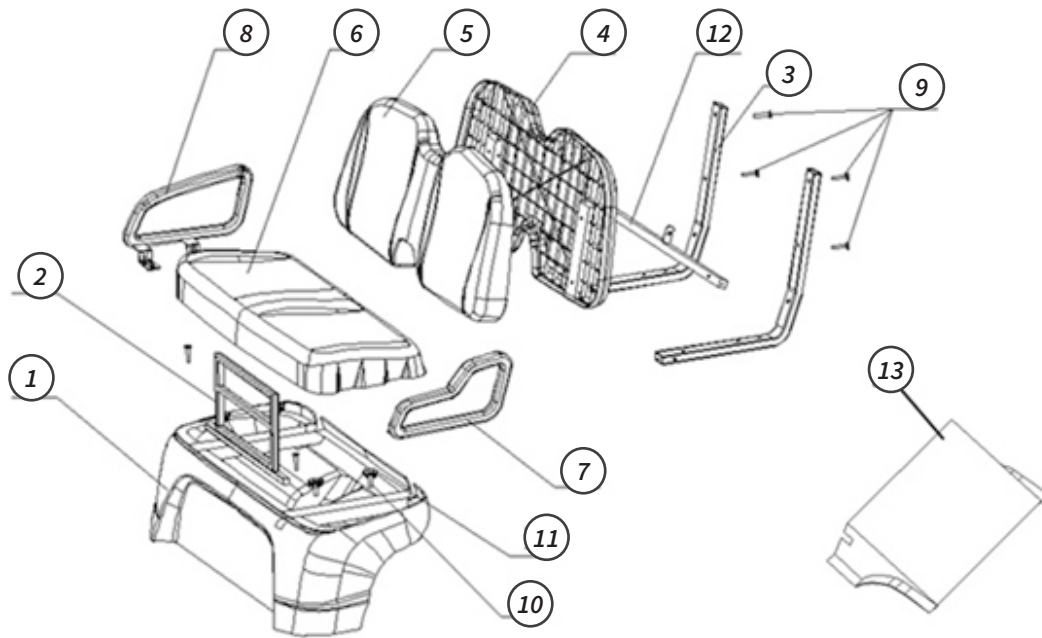
Item No.	STAR EV Part No.	Description	MPN	Qty
1	2BA405	Battery - 48V / 80AH Lithium Battery packs		1
2	2BA410	Battery - 48V / 105AH Lithium Battery Packs	C48-105-005S152	1
3	2BA414	Battery - 48V / 160AH Lithium Battery Packs	C48-160-005S152	1
4	2BA415	Battery - 48V / 210AH Lithium Battery Packs	C48-210-005S152	1
4.1	2BA030	Battery - 36V, 125Ah Lithium Battery Packs		1
5	2CH020	Charger Lester Summit II 48V, 1050W, 22A, universal AC with cord for STAR Lithium Battery.		
6	2MT223	Battery indicator, meter with 10 LED bars AND wire harness	C48-210D-L-011	1
7	2CR910	AC Charger Cord with Yeeda Plug for SIRIUS	3202110005	1
8	2CR020	Harness for Lithium On-Board chargers for 2CH020 charger	CHARGER-L-001	1
9	2BT800	Battery Mounting plate and hardware		1
10	2RC080	AC 110V Charger Receptacle with cord for ON BOARD Chargers only. *Charge light indicator	3202109423	1

## 9 Front Seat for 2 and 2+2



Item No.	STAR EV Part No.	Description	MPN	Qty
1	2CS572	Front seat cushion. Gray	2501500157A00	1
2	2CS077	Front seat cushion cover	2300409101A00	1
3	2CS072	Armrest, front seat driver side	2202600190A00	1
4	2CS070	Armrest, front seat passenger side	2202600154A00	1
5	3HD800	Hex bolt, M8x30, A2-70, stainless steel	2200100010000	20
6	2CS905	Seat support frame, black powder coated	2207201389A00	1
7	3HD071	Screw, counter sunk, M6 x 20, A2-70	2200302002000	6
8	2HG751	Seat hinge, bottom, 86 x 50 x 3mm, stainless steel	2202400114A00	2
9	2HG750	Seat hinge, top, 80 x 72 x 3mm, three Φ6 counter sunk holes,	2202400113A00	2
10	3HD071	Screw, counter sunk, M6 x 20, A2-70	2200302002000	4
10.1	2WS476	Nut, M6, A2-70 stainless steel	2200401001000	4
11	Hardware	Hex bolt, M8 x 20, zinc plated	2200100039000	4
11.1	Hardware	Flat washer, M8, zinc plated	2200700023000	8
11.2	3HD816	Lock nut, M8, A2-70 stainless steel	2200401003000	4
12	2SB087	Seatbelt assembly, hub rod length L=200mm	2501304023000	2
12.1	3HD109	Hex bolt, M10 x 35, A2-70 stainless steel	2200100164000	4
12.2	3HD120	Hex nut, M10, stainless steel	2200400005000	4
12.3	3HD116	Spring washer, M10, Stainless steel	2200701014000	4
12.4	3HD122	Flat washer, M10, A200 stainless steel	2200700029000	8
		Tapered spacer	3408013132	

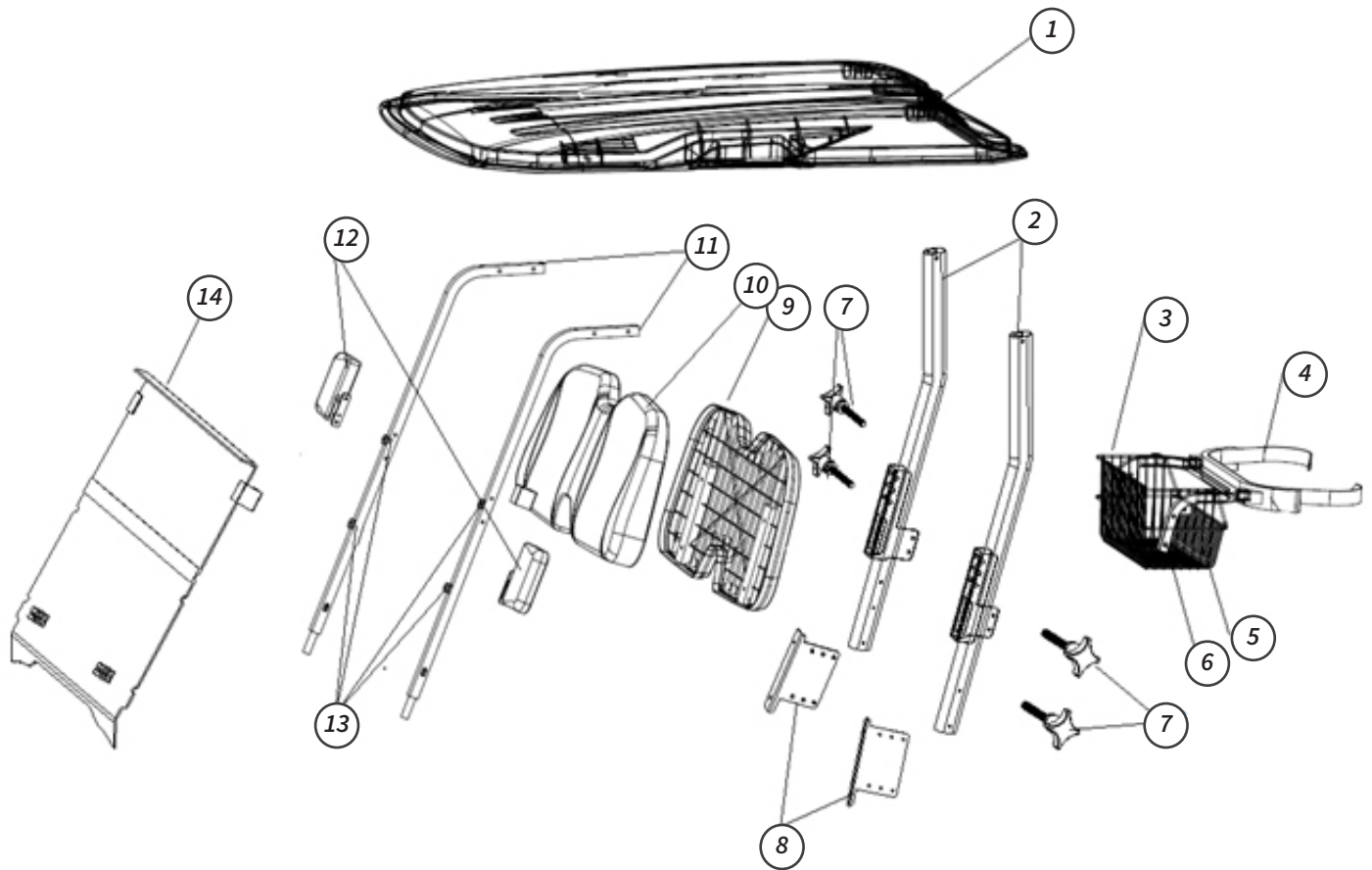
## 9-1 Podseat for 4 and 4+2



Item No.	STAR EV Part No.	Description	MPN	Qty
1	2PS710	Seat Pod - White Diamond Pearl for Sirius	2400501223A00-WDP	
	2PS711	Seat Pod - Torch Red for Sirius	2400501223A00-TR	
	2PS712	Seat Pod - Indigo Blue for Sirius	2400501223A00-IB	
	2PS713	Seat Pod - Desert Bloom Metallic for Sirius	2400501223A00-DBM	
	2PS714	Seat Pod- Light Argent Metallic for Sirius	2400501223A00-LAM	
	2PS715	Seat Pod - Red Pearl for Sirius	2400501223A00-RP	
	2PS716	Seat Pod - Ocean Mist Metallic for Sirius	2400501223A00-OMM	
	2PS717	Seat Pod - Carbon Flash Metallic for Sirius	2400501223A00-CFM	
	2PS719	Seat Pod - SPECIAL COLOR for Sirius	2400501223A00-SPEC	
2	2PS069	Controller Mounting Support	2207201932A00	1
3	2PS070	Backrest Support Bracket	2207201659A00	2
4	2CS073	Black Plastic COVER for Back Rest on Front or Flip Seat-Sirius	2501506025A00	1
4-1	3HD800	Hexagon Bolt	2200100010000	12
5	2CS571	Cushion - Front Backrest (Gray) for Sirius	2501504073A00	1
6	2CS573	Pod Seat Bottom Cushion	2501500183A00	1
7	2CS072	Armrest - Front seat DRIVER side -Sirius (3 hole mounting bracket)	2202600190A00	1
8	2CS070	Armrest - Front seat PASSENGER Sirius (3 hole mounting bracket)	2202600154A00	1
9-1	3HD800	Hexagon bolt	2200100010000	12
9-2	3HD814	Flat washer	2200700021000	12

9-3	3HD816	Spring washer	2200701012000	12
10	2PS140	Plastic ball only for seats for Sirius	2301700017000	2
11	2PS145	Plastic Base or the ball on the Pod seat for Sirius	2200001301000	2
12	2SB099	BAR - Seatbelt bar for Sirius POD ONLY	2207201874A00	1
12-1	3HD806	Hexagon bolt	2200100099000	2
12-2	3HD814	Flat washer	2200700021000	4
12-3	3HD816	Nut with non-metallic insert	2200401003000	2
13	2CN919	COVER for controller on the 4P Sirius (controller in Pod)	2300800138A00	1
10	2PS140	Plastic ball only for seats for Sirius	2301700017000	2
11	2PS145	Plastic Base or the ball on the Pod seat for Sirius	2200001301000	2
12	2SB099	BAR - Seatbelt bar for Sirius POD ONLY	2207201874A00	1
12-1	3HD806	Hexagon bolt	2200100099000	2
12-2	3HD814	Flat washer	2200700021000	4
12-3	3HD816	Nut with non-metallic insert	2200401003000	2
13	2CN919	COVER for controller on the 4P Sirius (controller in Pod)	2300800138A00	1

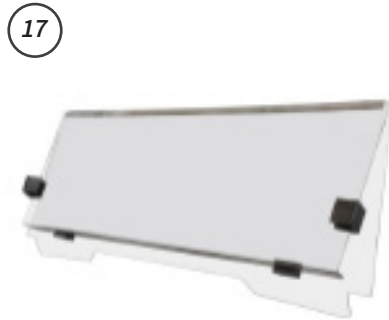
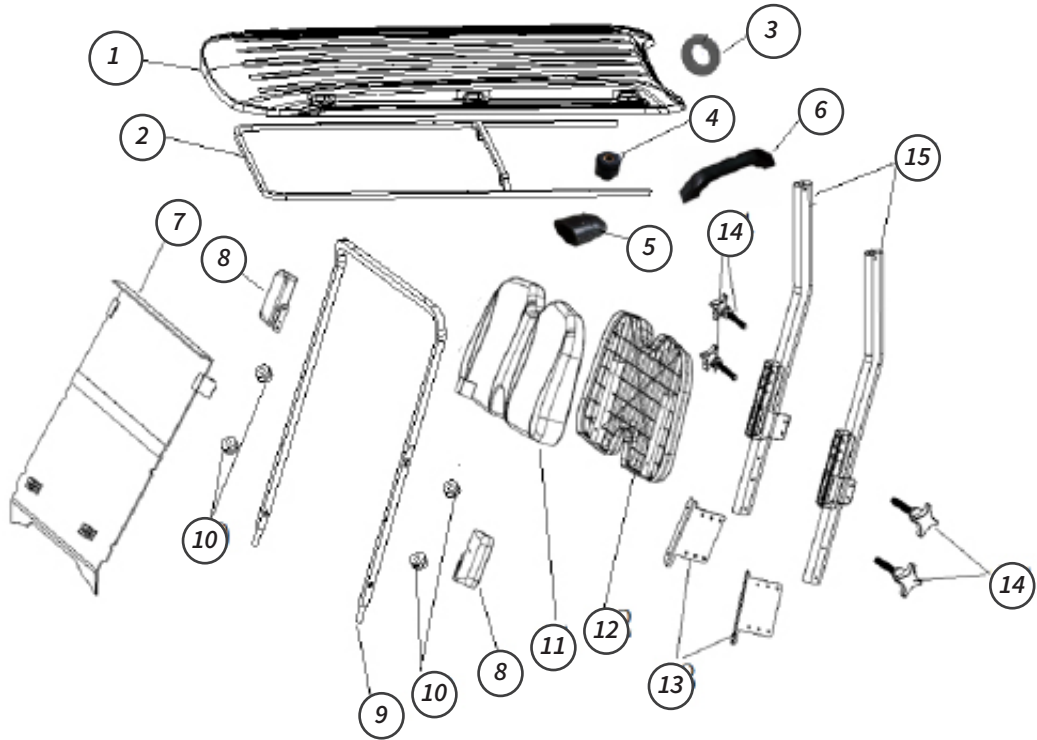
# 10 Sirius 2 Passenger Roof



Item No.	STAR EV Part No.	Description	MPN	Qty
1	2RF007	Roof SIRIUS - Default; Grey; 2P	2400301254A00	1
2	2BK170	Driver side-Rear roof support Aluminum for SIRIUS	2208300142A20	1
	2BK171	Passenger side -Rear roof support Aluminum for SIRIUS	2208300141A20	1
2	2BK180	LOWERED DRIVER Rear Roof Support Aluminum for 2+2, 4L, & 4+2 SIRIUS NON-Lifted	2207203777S00	1
	2BK181	LOWERED PASSENGER Rear Roof Support Aluminum for 2+2, 4L, & 4+2 SIRIUS NON-Lifted	2207203776S00	1
2.1	3HD806	Hex bolt, M8 x 65 A2-70 stainless steel	2200100099000	2
2.2	3HD816	Lock nut, M8 A2-70 stainless steel	2200401003000	2
2.3	3HD814	Flat washer, M8, A200 stainless steel	2200700021000	4
2.4	Hardware	Hex Bolt, M10*65 , A2-70 stainless steel	2200100036000	4
2.5	3HD153	Flat washer, M10 Zinc plated	2200700026000	4
3	2GB172	Sweater basket, black powder coated	2208001039A00	1
3.1	Hardware	Hex screw, M6 x 45 A2-70 stainless steel	2200300048000	4
3.2	Hardware	Flat washer M6 Zinc plated	2200700099000	4
3.3	Hardware	Lock washer, M6, Zinc plated	2200701009000	4

3.4	Hardware	Hex nut, M6, Zinc plated	2200400008000	4
4	2GB170	Golf bag holder, including belt	2303100053000	1
4.0	2GB174	CLIP ONLY for Golf Bag Holder for Sirius	2200024746000	2
4.1	Hardware	Hex screw, M8 x 45	2200300022000	2
4.2	3HD814	Flat Washer, M8, A200 stainless steel	2200700021000	4
4.3	3HD816	Lock nut, M8, A2-70 stainless steel	2200401003000	2
5	2GB171	Bag holder mounting frame, aluminum	2303100052A00	1
6.1	Hardware	Hex screw, M8x45, white zinc plated	2200300022000	4
6.2	3HD814	Flat washer, M8, A200 stainless steel	2200700021000	8
6.3	3HD816	Lock nut, M8, A2-70 stainless steel	2200401003000	4
7	2CS915	Backrest adjustment knob, M10xL68	2700900027000	4
8	2CS910	Backrest supporting frame, Q235/3.0mm steel	2207301190A00	2
9	2CS073	Backrest cover	2501506025A00	1
9.1	3HD800	HEX BOLT, M8 x 30, A2-70 Stainless steel	2200100010000	20
10	2CS571	Backrest cushion	2501504073A00	1
11	2BC170	Front roof support, aluminum, powder coated	2208300144A00	2
11.1	3HD109	Hex bolt, M10x35 A2-70 stainless steel	2200100164000	2
11.2	3HD122	Flat washer, M10, A200 stainless steel	2200700029000	2
11.3	Hardware	Hex screw, M8x45 A2-70 stainless steel	2200300054000	4
11.4	3HD816	Lock nut, M8 A2-70 stainless steel	2200401003000	4
11.5	2HD814	Flat washer, M8, A200 stainless steel	2200700021000	8
12	2MR170	Mirror-Driver Side View with LED indicators on both sides for Sirius (Driver Side)	2902701124A00-Driver	1
12	2MR171	Mirror - Passenger Side View with LED indicators on both sides for Sirius (Passenger Side)	2902701124A00-Pass	1
12.1	Hardware	Hex Screw, M8*25 Stainless steel	2200300013000	4
13	2WS472	Windshield holder, black rubber $\Phi 20 \times \Phi 14 \times 16$ , 7mm opening, including $\Phi 10 \times \Phi 7 \times 14$ steel bushing	2303900005C00	4
14	2WS470	Windshield, foldable, tinted	2400700239A00	1
14.1	2WS474	Cross head screw, M6*50 A2-70 stainless steel	2200304045000	4
14.2	2WS475	Flat washer, M6 A200 stainless steel	2200700017000	4
14.2	2WS475	Flat washer, M6 A200 stainless steel	2200700017000	4
14.3	2WS476	Lock nut, M6, A2-70 stainless steel	2200401001000	4
15	2WS024	Windshield - NEV 1pc GLASS with Frame for Sirius with DOT AS1 Stamp	2400700318000	1
17	2WS494	Windshield NEV - FLIP CLEAR for SIRIUS NEV (D.O.T.) with AS5 DOT STAMP		1
	2WS069	Windshield NEV - FLIP for SIRIUS NEV (D.O.T.) Tinted with AS5 DOT STAMP		1
18	2WP060	Windshield - Wiper - Motor "ZD1331-25" for Sirius	2101902080000	1
19	2WP061	BLADE for Windshield wiper (length 620mm) for Sirius	2303600023000	1
20	2WP062	Cover - UPPER & LOWER COVER for Wiper Motor on Sirius	300806017000 & 8000	1

# 11 Sirius 2+2, 4 and 4+2 Roof

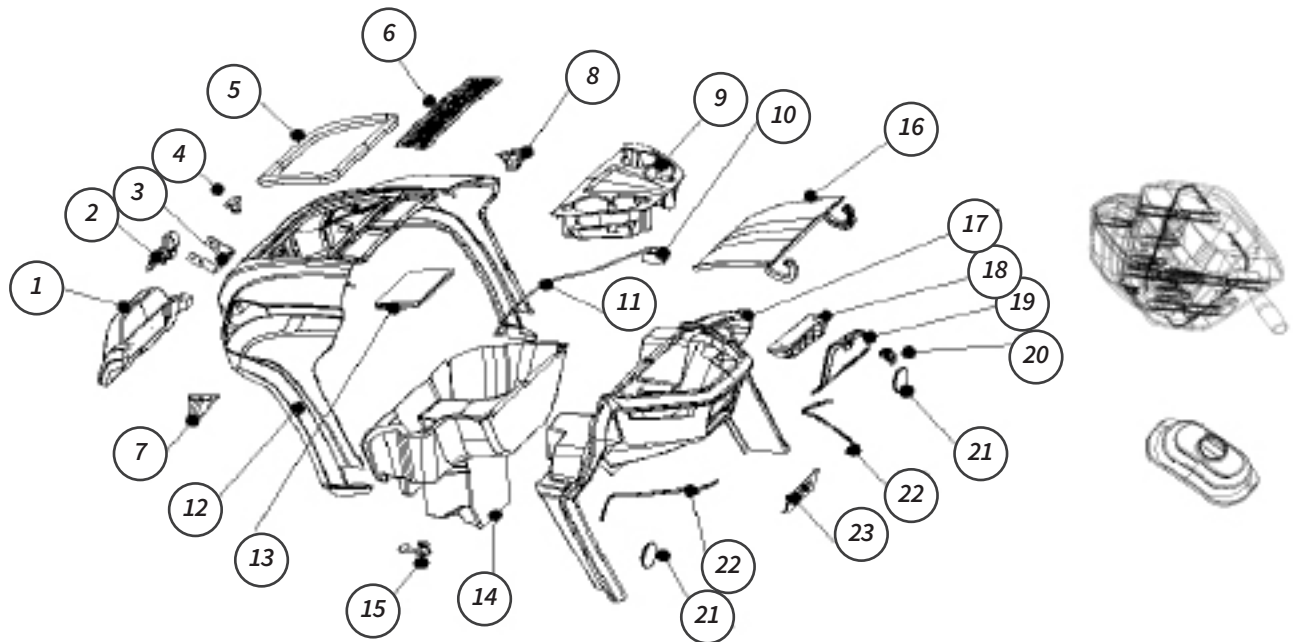


Item No.	STAR EV Part No.	Description	MPN	Qty
1	2RF030	Sirius 2+2 roof, WHITE DIAMOND PEARL	2205002074000	
	2RF031	Sirius 2+2 roof, TORCH RED	2205002081000	
	2RF032	Sirius 2+2 roof, INDIGO BLUE	2205002075000	
	2RF033	Sirius 2+2 roof, DESERT BLOOM	2205002079000	
	2RF034	Sirius 2+2 roof, LIGHT ARGENT	2205002082000	
	2RF035	Sirius 2+2 /4+2 roof, BASQUE RED PEARL	2205001827A00-RP	
	2RF036	Sirius 2+2 roof, OCEAN MIST	2205002080000	
	2RF037	Sirius 2+2 roof, CARBON FLASH	2205002076000	
	2RF039	Sirius 2+2 / 4+2 roof, SPECIAL COLOR	2205001827A00-SPEC	
	2RF070	Sirius 4+2 roof, WHITE DIAMOND PEARL	2205002077000	
	2RF071	Sirius 4+2 roof, TORCH RED	2205002086000	
	2RF072	Sirius 4+2 roof, INDIGO BLUE	2205002083000	
	2RF073	Sirius 4+2 roof, DESERT BLOOM	2205002084000	
	2RF074	Sirius 4+2 roof, LIGHT ARGENT	2205002087000	
	2RF075	Sirius 4+2 roof, RED PEARL	2205001824A00-RP	
	2RF076	Sirius 4+2 roof, OCEAN MIST	2205002085000	
	2RF077	Sirius 4+2 roof, CARBON FLASH	2205002078000	
2	2UB170	2+2 Roof Halo, 6061 Aluminum, black powder painted	2205001752A00	1
	2UB171	Roof - U Support (Aluminum) for 4 Long Sirius	2205001761A00	
	2UB172	Roof - U Support (Aluminum) for 4 +2 Sirius	2205001829A00	
2.1	Hardware	Hex screw, M8 x 70 SS	2200301007000	8
2.2	3HD816	Lock Nut, M8 A2-70 SS	2200401003000	8
2.3	3HD814	Flat Washer, M8 A200 SS	2200700021000	16
3	2RF997	Rubber grommet, Φ40*Φ11*10 mm	2301903028000	8
4	2BS751	Rubber insert, Φ26*Φ12*28, with Φ12*Φ8*26 zinc plated steel bushing	2301903013C00	8
5		M8 rubber cover with steps	2301902009000	8
6	2RF040	Roof grab handle for 3 sets for 2+2 and 4 Long, 5 sets for 4+2	2902700109000	3
7	2WS470	Front foldable windshield	2400700239A00	1
7.1	2WS474	Screw, M6 x 50 A2-70 SS	2200304045000	4
7.2	2WS475	Flat washer, M6 A200 SS	2200700017000	8
7.3	2WS476	Lock nut, M6 A2-70 SS	2200401001000	4
7.4	3HW306	Rubber cover M6	2301902003000	4
8	2MR170	Mirror-Driver Side View with LED indicators on both sides for Sirius	2902701124A00-Driver	1
8.1	Hardware	Hex screw, M8 x 25, SS	2200300013000	4
8	2MR171	Mirror - Passenger Side View with LED indicators on both sides for Sirius	2902701124A00-Pass	1
9	2BC180	2+2 front roof support, aluminum 6061, black powder coated	2205001753A00	1



Item No.	STAR EV Part No.	Description	MPN	Qty
9.1	3HD109	Hex bolt, M10 x 35, A2-70 SS	2200100164000	2
9.2	3HD122	Flat washer, M10, A200 SS	2200700029000	2
9.3	3HD806	Hex bolt, M8x65 A2-70 SS	2200100099000	2
9.4	3HD816	Lock nut, M8, A2-70 SS	2200401003000	2
9.5	3HD814	Flat washer, M8, A200	2200700021000	4
10	2WS472	Windshield holder, rubber $\Phi 20^* \Phi 14^* 16$ , 7mm slot, with $\Phi 10^* \Phi 7^* 14$ steel Tube	2303900005C00	4
11	2CS571	Backrest cushion for Front / Flip	2501506025A00	1
12	2CS073	Backrest cushion cover	2501506025A00	1
12.1	3HD800	Hex bolt, M8 x 30 A2-70 SS	2200100010000	12
13	2CS910	Backrest mounting brackets, Q235/3.0mm steel	2207301190A00	2
14	2CS915	Backrest adjustment knob, M10 x L68	2700900027000	1
15	2BK170	Driver side - Rear roof support Aluminum for 2P and 4P Sirius	2208300142A00	1
	2BK171	Passenger side -Rear roof support Aluminum for 2P & 4P Sirius	2208300141A00	1
	2BK170	DRIVER side - Rear roof support Aluminum for 2+2 & 4+2 Sirius	2208300171A00	1
	2BK171	PASSENGER roof support Aluminum for 2+2 and 4+2 Sirius	2208300130A00	1
15.1	3HD805	Hex bolt, M8 x 55 A2-70 SS	2200100013000	2
15.2	2HD816	Lock nut, M8 A2-70 SS	2200401003000	2
15.3	2HD814	Flat washer, M8, A200 SS	2200700021000	4
15.4	Hardware	Hex bolt, M10 x 65, A2-70 SS	2200100036000	4
15.5	3HD153	Flat washer, M10 Zinc plated	2200700026000	4
16	2WS024	Windshield - NEV 1pc GLASS with Frame for Sirius with DOT AS1 Stamp	2400700318000	1
16-1	2WS028	Holding screws- one peice GLASS Windsheild for Sirius	2302605001000	1
17	2WS494	Windshield NEV - Flip Clear for SIRIUS NEV (D.O.T.) with AS5 DOT STAMP		1
	2WS069	Windshield NEV - FLIP for SIRIUS NEV (D.O.T.) Tinted with AS5 DOT STAMP		1
	2WS471	Windshield sash for Sirius	2303900005C00	1
18	2WP060	Windshield - Wiper - Motor "ZD1331-25" for Sirius	2101902080000	1
19	2WP061	BLADE for Windshield wiper (length 620mm) for Sirius	2303600023000	1
20	2WP062	Cover - UPPER & LOWER COVERfor Wiper Motor on Sirius	2300806017000 & 8000	1

## 12 Front Body



Item No.	STAR EV Part No.	Description	MPN	Qty
1	2BU700	Front bumper, blow molded, with M8 inserts	2206400036A00	1
1.1	Hardware	Hex bolt, M8x12 Zinc plated	2200100177000	4
1.2	3HD841	Flat washer, M8 Zinc plated	2200700081000	4
2	2TK410	Hood latch, 12V	2202000076000	1
2.1	Hardware	Hex bolt, M6 x 20, stainless steel	2200005284000	2
2.2	2WS476	Lock nut, M6 A2-70 SS	2200401001000	2
3		Hood latch mounting plate, 4mm Q235A	2207301384A00	1
3.1	3HD800	Hex bolt, M8*30 A2-70 SS	2200100010000	4
3.2	Hardware	Hex nut, M8,SS304	1204901008000	4
3.3	3HD814	Flat washer, M8,A200 SS	2200700021000	4
4	2TK412	Hood latch U-bolt	2202000077000	1
4.1	3HD628	M6 clip nut, 1MM	2200406071000	2
4.2	Hardware	Hex bolt, M6 x 16, SS304	1205201026000	2
5	2TK205	Hood seal, black, rubber	2302605215A00	2
6	2DB715	Front body decorative insert	2302101560A00	1
7	2BC900	Rubber cover for front roof support, textured, driver side	2301900189A00	1
8	2BC901	Rubber cover for front roof support, textured, passenger side	2301900190A00	1
9	2CP710	Cupholder - White Diamond Pearl for Sirius dash	2303301031000	1
	2CP711	Cupholder - Torch Red for Sirius dash	2303301023A00-TR	
	2CP712	Cupholder - Indigo Blue for Sirius dash	2303301023A00-IB	
	2CP713	Cupholder - Desert Bloom Metallic for Sirius dash	2303301023A00-DBM	

10	2TK401	Hood manual release lever, 82191-50E00	2206100091000	1
11	2TK400	Hood manual release cable, 82160-77A00	2206902002000	1
12	2BO710	Front Body - White Diamond Pearl for Sirius	2302100110A00-WDP	1
	2BO711	Front Body - Torch Red for Sirius	2302100110A00-TR	
	2BO712	Front Body - Indigo Blue for Sirius	2302100110A00-IB	
	2BO713	Front Body - Desert Bloom Metallic for Sirius	2302100110A00-DBM	
	2BO714	Front Body - Light Argent Metallic for Sirius	2302100110A00-LAM	
	2BO715	Front Body - Red Pearl for Sirius	2302100110A00-RP	
	2BO716	Front Body - Ocean Mist Metallic for Sirius	2302100110A00-OMM	
	2BO717	Front Body - Carbon Flash Metallic for Sirius	2302100110A00-CFM	
	2BO719	Front Body - SPECIAL COLOR for Sirius	2302100110A00-SPEC	
12.1	Hardware	Hex bolt, M6 x 12 zinc plated	2200100336000	3
12.2	Hardware	Flat washer, M6 Zinc plated	2200700099000	3
12.3	3HD628	M6 clip nut, 1MM	2200406071000	3
13	2TK206	Front storage trunk cover	2300406939A00	1
14	2TK209	Front storage trunk	2208701039A00	1
14-1	2TK220	Sirius MY2025 New Trunk Lid (Front Storage Cover) - White Diamond Pearl	3406013748	1
14-2	2TK221	Sirius MY2025 New Trunk Lid (Front Storage Cover) - Carbon Flash Metallic	3406013742	1
14-3	2TK222	Sirius MY2025 New Trunk Lid (Front Storage Cover) - Indigo Blue	3406013743	1
14-4	2TK223	Sirius MY2025 New Trunk Lid (Front Storage Cover) - Light Argent Metallic	3406013744	1
14-5	2TK224	Sirius MY2025 New Trunk Lid (Front Storage Cover) - Midnight Sol	3406013745	1
14-6	2TK225	Sirius MY2025 New Trunk Lid (Front Storage Cover) - Aegean Blue	3406013746	1
15	2TK208	Drainage insert for front trunk	2304800009000	1
16	2TK210	Sirius front trunk, WHITE DIAMOND PEARL	2300406956000	1
	2TK211	Sirius front trunk, TORCH RED	2300406962000	
	2TK212	Sirius front trunk, INDIGO BLUE	2300406960000	
	2TK213	Sirius front trunk, DESERT BLOOM METALLIC	2300406958000	
	2TK214	Sirius front trunk, LIGHT ARGENT	2300406963000	
	2TK215	Sirius front trunk, BASQUE RED PEARL	2300406965000	
	2TK216	Sirius front trunk, OCEAN MIST METALLIC	2300406961000	
	2TK217	Sirius front trunk, CARBON FLASH METALLIC	2300406959000	
	2TK219	Sirius front trunk, SPECIAL COLOR	2300406938A00-SPEC	
	2TK220	Sirius MY2025 New Trunk Lid (Front Storage Cover) - White Diamond Pearl	3406013748	1
	2TK221	Sirius MY2025 New Trunk Lid (Front Storage Cover) - Carbon Flash Metallic	3406013742	1
	2TK222	Sirius MY2025 New Trunk Lid (Front Storage Cover) - Indigo Blue	3406013743	1

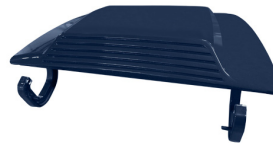
16	2TK223	Sirius MY2025 New Trunk Lid (Front Storage Cover) - Light Argent Metallic	3406013744	1
	2TK224	Sirius MY2025 New Trunk Lid (Front Storage Cover) - Midnight Sol	3406013745	1
	2TK225	Sirius MY2025 New Trunk Lid (Front Storage Cover) - Aegean Blue	3406013746	1
16.1	Hardware	Screw, M5*40, SS	2200303003000	2
16.2	Hardware	Clip nut, 1MM	2200406071000	2
16.3	Hardware	Flat washer, M5 SS304	2200700010000	4
17	2DB720	Dashboard	2301600025A00	1
17.1	Hardware	Self tapping screw, M8*25 C-H A2-70 SS	22005000065000	4
17.2	Hardware	Flat washer, M6 A200 SS	2200700015000	8
18	2DB716	Golf ball holder	2206601004A00	1
18.1	Hardware	Self tapping screw, M4*12, zinc plated	1205210102000	2
19	2GV115	Glove box cover	2300806180A00	1
19.1		Rivet, M5*15 black	2201000011000	3
20	2GV601	Glove box locker	2202000012000	1
21	2DB750	Cover insert, 75mm diameter, to cover headlight access	2301906080000	2
22	2DB714	Dash decoration insert, 1 set, left and right side, PVC chrome	2302605256A00	2
23	2DC700	4 Hole plastic panel for F&R, USB, Hi/Lo & Power outlet on the Sirius Dashboard	2300400608A00	1
24	2DB740	Combo switch cover including instrument display cover	2300800103A00	1
24.1	Hardware	Self tapping screw, ST4.8*25 C-H A2-70 SS	22005000065000	4
24.2	Hardware	Self tapping screw, ST4.8*20 SS	2200500007000	3
24.3	2WS476	Lock nut, M6 A2-70 SS	2200401001000	2
24.4	2WS475	Flat washer, M6 A200 SS	2200700017000	6
25	2SW591	Combo switch rubber insert	2301900194A00	1



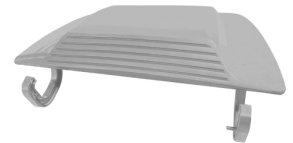
2TK220



2TK221



2TK222



2TK223

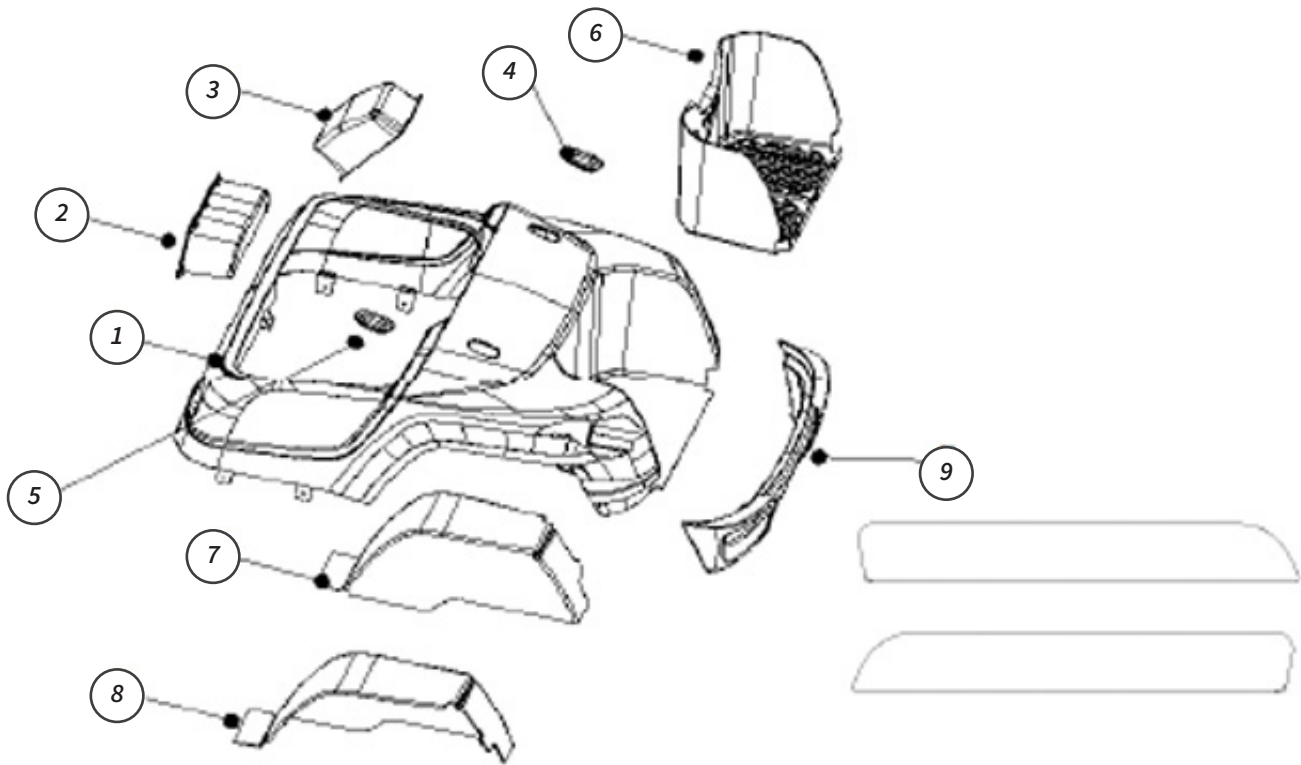


2TK224



2TK225

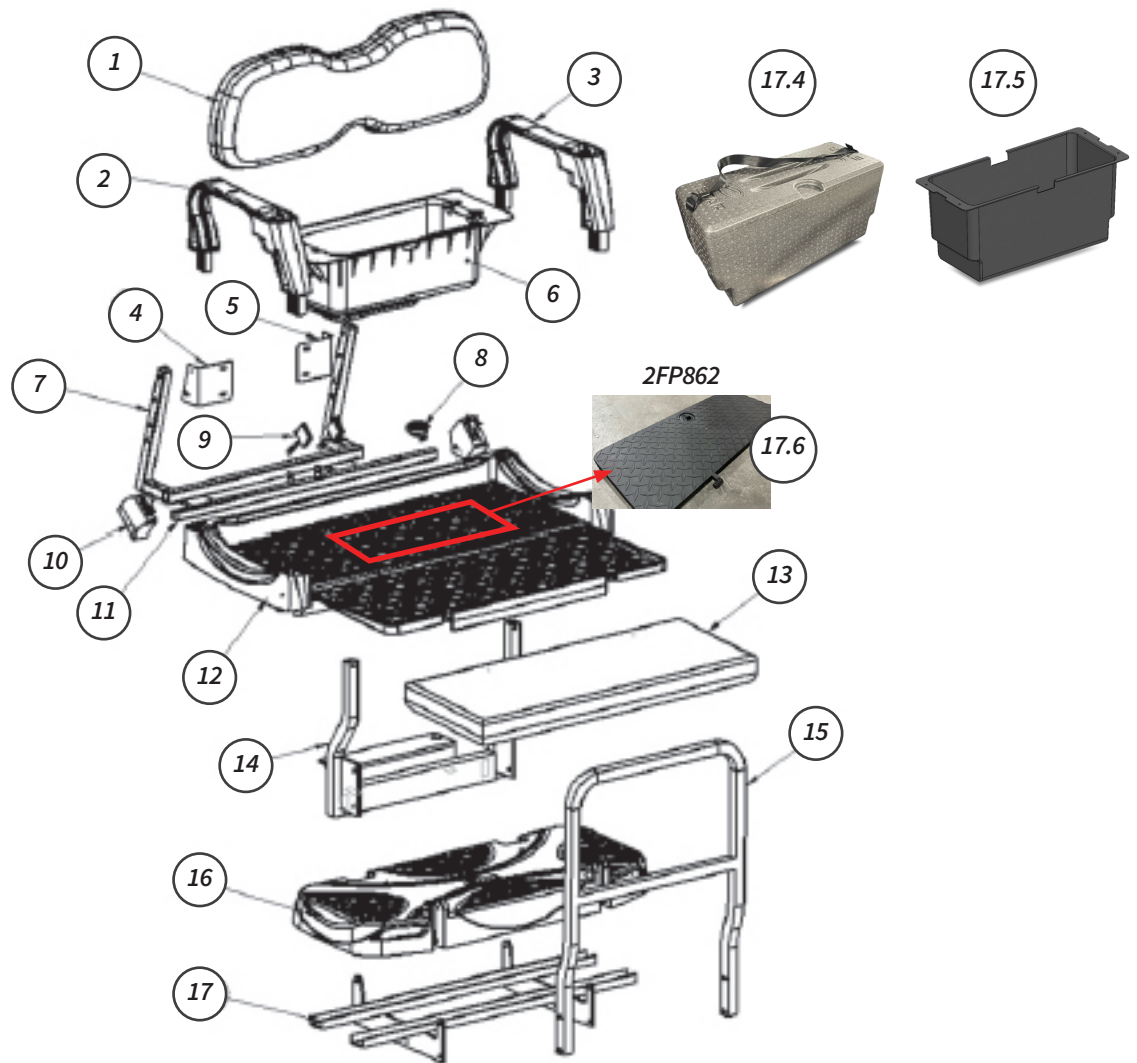
# 13 Rear Body



Item No.	STAR EV Part No.	Description	MPN	Qty
		Rear body	2900700150000	1
1	2BY710	Rear Body - White Diamond Pearl for Sirius	2401200862000	1
	2BY711	Rear Body - Torch Red for Sirius	230220011A000-TR	
	2BY712	Rear Body - Indigo Blue for Sirius	230220011A000-IB	
	2BY713	Rear Body - Desert Bloom Metallic for Sirius	230220011A000-DBM	
	2BY714	Rear Body - Light Argent Metallic for Sirius	230220011A000-LAM	
	2BY715	Rear Body - Red Pearl for Sirius	230220011A000-RP	
	2BY716	Rear Body - Ocean Mist Metallic for Sirius	230220011A000-OMM	
	2BY717	Rear Body - Carbon Flash Metallic for Sirius	230220011A000-CFM	
1.1		Hex bolt, M6 x 45 A2-70 SS	2200100044000	4
1.2	3HD629	Flat washer, M6 A200 SS	2200700015000	8
1.3	Hardware	Lock washer, M6, SS	2200701010000	4
2	2TK075	Rear storage trunk	2300800104A00	1
3	2CN918	Controller cover box	2300800104A00	1
5	2BK900	Rubber cover for rear roof support, black, textured (DRIVER)	2301900187A00	1
4	2BK901	Rubber cover for rear roof support, black, textured	2301900188A00	1
6	2GB019	Bag well insert	2301900165A00	1
6.1		Plastic nail, Φ17.5*23mm	2301700001000	10
7	2FN714	Rear fender well, passenger side	2302305108A00	1
8	2FN713	Rear fender well, driver side	2302305107A00	1

8.1		Self tapping screw, M5*20 with rubber washer	2200307005000	6
9	2BR750	Rear bumper with M8 inserts	2301800041A00	1
9.2		Counter sunk screw, M8*18 SS	2200302011000	3
10	2DC710	Rear reflective tape, driver side, 3M 983-71es	2500909046A00	1
11	2DC711	Rear reflective tape, passenger side, 3M 983-71es	2500909047A00	1

# 14 Ultimate Rear Flip Seat (Sirius 2+2 and 4+2)



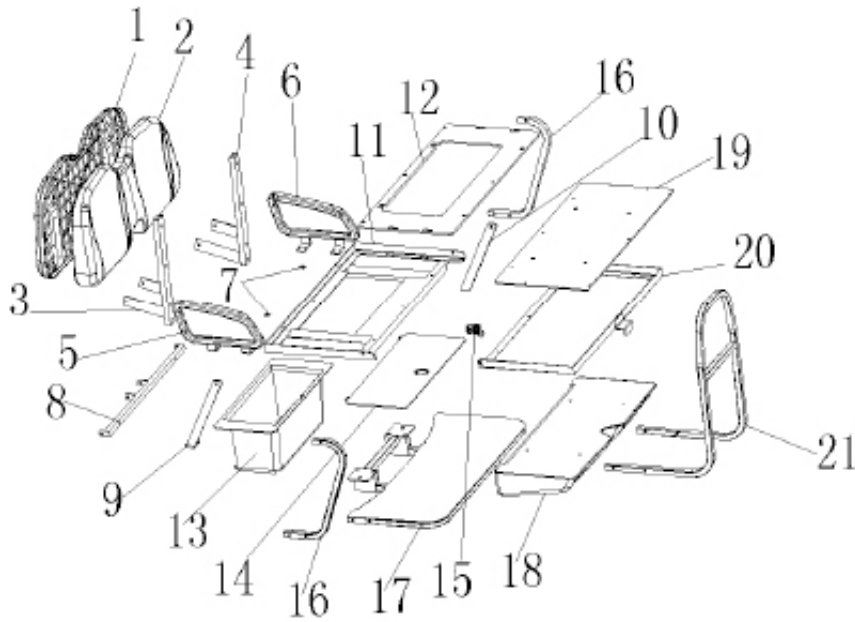
Item No.	STAR EV Part No.	Description	MPN	Qty
1-17	2FS183	"FRAME ONLY for Ultimate Flip Seat - SIRIUS *must order #1, 13 & 6		1
1	2FS181	SIRIUS Gray BACK REST CUSHION for Ultimate Flip Seat		1
1A	2CS651	Cushion - Ultimate Flip Back (TAN with BLACK) for SIRIUS Premium	STA01-004-01	1
1B	2CS671	Cushion - Ultimate Flip Back (BLACK with TAN) for SIRIUS Premium	STA01-004-02	1
1.1		M6 x 30mm lg. Hex bolt		4
1.2		M6 flat washer		4
1.3		M6 lock washer		4
2	2FP852	Driver Side ARM REST for Sirius Ultimate Flip Seat		1
2.1		M6 x 60mm lg. Hex bolt		2
2.2		M6 flat washer		2
2.3		M6 lock washer		2
3	2FP853	Passenger Side ARM REST for Sirius Ultimate Flip Seat		1
3.1		M6 x 60mm lg. Hex bolt		2

3.2		M6 flat washer		2
3.3		M6 lock washer		2
4	2FP854	Driver Side back rest BRACKET for Sirius Ultimate Flip Seat (#4 in catalog)		1
4.1		M8 x 50mm lg. Hex bolt		2
4.2		M8 flat washer		2
4.3		M8 lock nut		2
5	2FP855	Passenger Side back rest BRACKET for Sirius Ultimate Flip Seat (#5 in catalog)		2
5.1		M8 x 50mm lg. Hex bolt		2
5.2		Seat back rest bracket rh		1
5.2		M8 flat washer		2
5.3		M8 lock nut		2
6	2FS184	STORAGE BIN for Ultimate Flip Seat Kit		1
6.1		M6 self drilling pan hd screw		4
7	2FP857	Platform support FRAME for Sirius Ultimate Flip Seat		1
7.1		M8 x 50mm lg. Hex bolt		4
7.2		M8 flat washer		8
7.3		M8 lock nut		4
7.4		M8 x 50mm lg. Hex bolt		4
8		Lock assembly with and key		1
9 & 10	2SB087	Seat belt receiver & retractor		2
11	2SB092	BAR - Seatbelt bar for Sirius for FLIP seat ONLY	2205001750A00	1
12	2FP856	Plastic flip frame assembly		1
12.1		M6 x 40mm oval head screw		2
12.2		M6 flat washer		4
12.3		M6 locknut		2
13	2FS182	SIRIUS Gray SEAT BOTTOM CUSHION for Ultimate Flip Seat		1
13A	2CS652	Cushion - Ultimate Flip Bottom (TAN with BLACK) for SIRIUS Premium	STA01-005-01	1
13B	2CS672	Cushion - Ultimate Flip Bottom (BLACK with TAN) for SIRIUS Premium	STA01-005-02	1
13.1		M6 x 30mm lg. Flat head screw		6
13.2		M6 flat washer		6
13.3		M6 lock washer		6
14	2FP858	Footrest SUPPORT FRAME for Sirius Ultimate Flip Seat		1
14.1		M10 x 55mm lg. Hex bolt		2
14.2		M10 flat washer		4
14.3		M10 lock nut		2
15	2FP861	Safety GRAB BAR for Sirius Ultimate Flip Seat		1
15.1		M6 x 30mm lg. Hex bolt (lower)		2
15.2		M6 flat washer		2
15.3		M6 lock washer		2
15.4	2FP964	Snap Pin (upper) & Clevis Pin (lower) for Footplate		2
16	2FP859	FOOTREST / Footplate for Sirius Ultimate Flip Seat		1



17	2FP860	Footplate FRAME for Sirius Ultimate Flip Seat		1
17.1		M8 x 35MM Lg. Hex bolt (Botton)		4
17.2		M8 Flat Washer		8
17.3		M8 Lock nut		4
17.4	2AS030	Cooler - Portable Insert for Ultimate Flip Seat	3407013623	1
17.5	2AS032	*New Design*Mounting Bracket for Ultimate Flip Seat Cooler	3401014489	1
17.6	2FP862	LID for SIRIUS Ultimate Flip Seat TRUNK storage area		1

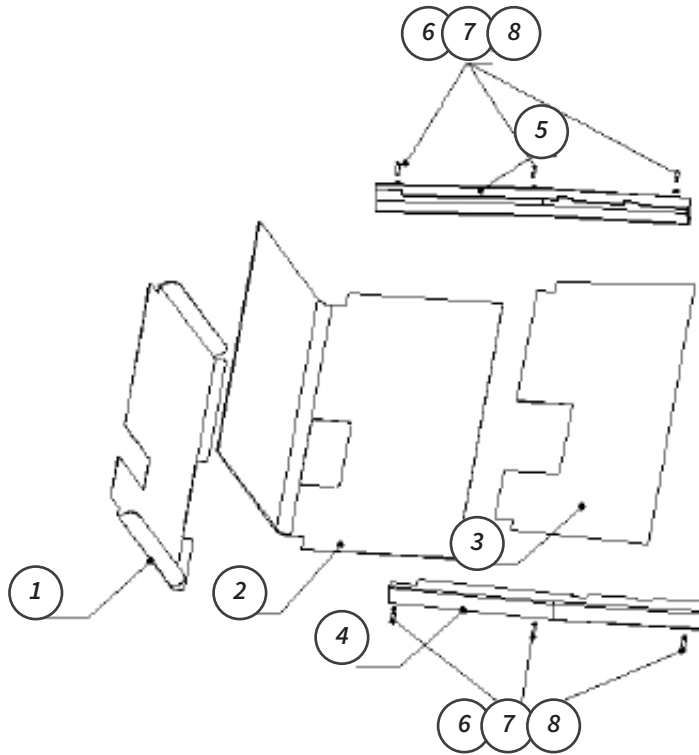
## 14-1 OEM Flip Seat (Sirius 2+2 and 4+2)



Item No.	STAR EV Part No.	Description	MPN	Qty
1	2CS073	Backrest cushion cover	2501506025A00	1
1.1	3HD800	Hex bolt, M8 x 30 A2-70 SS	2200100010000	8
2	2CS571	Backrest cushion	2501504073A00	1
3	2FP803	Flip seat backrest support, driver side: Sirius OEM FLIP SEAT	2207201548A00	1
3.1	3HD806	Hex bolt, M8 x 65 A2-70 SS	2200100099000	4
3.2	3HD802	Hex bolt, M8 x 45 A2-70 SS	2200100103000	6
3.3	Hardware	Hex bolt, M8 x 25 A2-70 SS	2200100162000	2
3.4	3HD814	Flat washer, M8, A200 SS	2200700021000	20
3.5	3HD816	Nut, M8 A2-70 SS	2200401003000	8
4	2FP804	Flip seat backrest support, passenger side: Sirius OEM FLIP SEAT	2207201549A00	1
5	2CS074	Flip seat arm rest, driver side	2202600153A00	1
6	2CS075	Flip seat arm rest, passenger side	2202600202A00	1
6.1	Hardware	Hex screw, M8x30 A2-70	2200301022000	4
6.2	2HD814	Flat washer, M8,A200 SS	2200700021000	4
6.3	2HD816	Nut, M8 A2-70 SS	2200401003000	4
7	2HG700	Hinge, 25x25x0.6mm SS (for Flip seat access / storage panel)	22002200031000	2
7.1	Hardware	Screws, M3 x 8	1205209002000	4
7.2	Hardware	Nut, M3 SS	2200400016000	4
7.3	Hardware	Self tapping screw, ST2.9x13, A2-70 SS	2200500008000	4
8	2SB092	BAR - Seatbelt bar for Sirius for FLIP seat ONLY	2205001750A00	1
8.1	3HD109	Hex bolt, M10 x 35 A2-70 SS	2200100164000	4

8.2	3HD120	Hex nut, M10, SS	2200400005000	4
8.3	3HD116	Spring washer, M10 SS	2200701014000	4
8.4	3HD122	Flat washer, M10, A200	2200700029000	8
9	2FP810	Flip seat bottom support frame, driver side: Sirius OEM FLIP	2207201553A00	1
9.1	3HD800	Hex bolt, M8 x 30 A2-70 SS	2200100010000	2
9.2	3HD814	Flat washer, M8, A200 SS	2200700021000	4
9.3	3HD816	Nut, M8 A2-70 SS	2200401003000	2
10	2FP811	Flip seat bottom support frame, passenger side: Sirius OEM FLIP SEAT	2207201554A00	1
11	2FP805	Flip seat frame :Sirius OEM FLIP SEAT	2207201550A00	1
12	2FP800	Flip seat stationary board, PVC: Sirius OEM FLIP SEAT	2207301317A00	1
12.1	3HD600	Bolt, counter sunk, M6 x 20 10.9 Zinc plated	2200301141000	6
12.2	3HD612	Acorn nut, M6 A2-70 SS	2200402003000	6
12.3	2HD614	Flat washer, M6 304SS	2200700088000	6
13	2TK070	Flip seat storage trunk	2401016011A00	1
13.1	Hardware	Self tapping screw, ST4.2 x 25, black	2200300068000	4
14	2TK072	Flip seat storage trunk cover, PVC	2300806215A00	1
15	2TK073	LOCK-Flip seat trunk opener, 60 mm x 35 mm	2209400072000	1
16	2HD806	Hex bolt, M8 x 65 A2-70 SS	2200100099000	2
16.1	2HD806	Hex bolt, M8 x 65 A2-70 SS	2200100099000	4
16.2	3HD816	Lock nut, M8 A2-70 SS	2200401003000	4
16.3	3HD814	Flat washer, M8, A200 SS	2200700021000	8
17	2FP807	Foot board assembly: Sirius OEM FLIP SEAT	2206200207A00	1
17.1	3HD801	Hex bolt, M8 x 35 A2-70 SS	2200100066000	6
17.2	3HD814	Flat washer, M8, A200 SS	2200700021000	8
17.3	3HD816	Lock nut, M8 A2-70 SS	2200401003000	2
18	2CS076	Flip seat BOTTOM cushion	2501500171A00	1
18.1	3HD800	Hex bolt, M8x30 A2-70 SS	2200100010000	4
19	2FP801	Plastic flip board, PVC: Sirius OEM FLIP SEAT	2207301318A00	1
19.1	Hardware	Hex screw, M6 x 12 A2-70 SS	2200300019000	10
19.2	3HD612	Acorn nut, M6 A2-70	2200402003000	10
20	2FS170	Flip frame	2207201551A00	1
20.1	3HD805	Hex bolt, M8 x 55 A2-70 SS	2200100013000	2
20.2	3HD816	Lock nut, M8 A2-70 SS	2200401003000	2
20.3	3HD814	Flat washer, M8, A200 SS	2200700021000	4
21	2FP808	Flip seat safety grab handle: Sirius OEM FLIP SEAT	2202600188A00	1
21.1	3HD802	Hex bolt, M8 x 45 A2-70 SS	2200100103000	4
21.2	3HD814	Flat washer, M8, A200 SS	2200700021000	8
21.3	3HD816	Nut, M8 A2-70 SS	2200401003000	4
22	2SB087	2pt seat belt with hub	2501304023000	1

# 15 Floor for 2 and 2+2



Item No.	STAR EV Part No.	Description	MPN	Qty
1	2BD710	Front firewall, 1.5t zinc plate, powder coated black both sides	2207301189A00	1
2	2FM270	Floor mat, 940 x 1140	2302600107000	1
3	2BD720	Floor bed, 1.5t Zinc plate, powder coated black both sides	2300409022A00	1
4	2RP750	Rocker panel, driver side, extruded aluminum	2208200193A00	1
4-1	2RP760	LED Rocker Panel - Driver Side Black with "Sirius" Logo for 2P / 2+2 SIRIUS	2103022463	1
5	2RP751	Rocker panel, passenger side, extruded aluminum	2208200194A00	1
5-1	2RP761	LED Rocker Panel - Passenger Side Black with "Sirius" Logo for 2P / 2+2 SIRIUS	2103022464	1
6	2WS474	Cross head screw, M6x50 A2-70 SS	2200304045000	6
7	3HD841	Flat washer, M8 Zinc plated	2200700081000	6
8	2WS476	Lock nut, M6 A2-70 SS	2200401001000	6

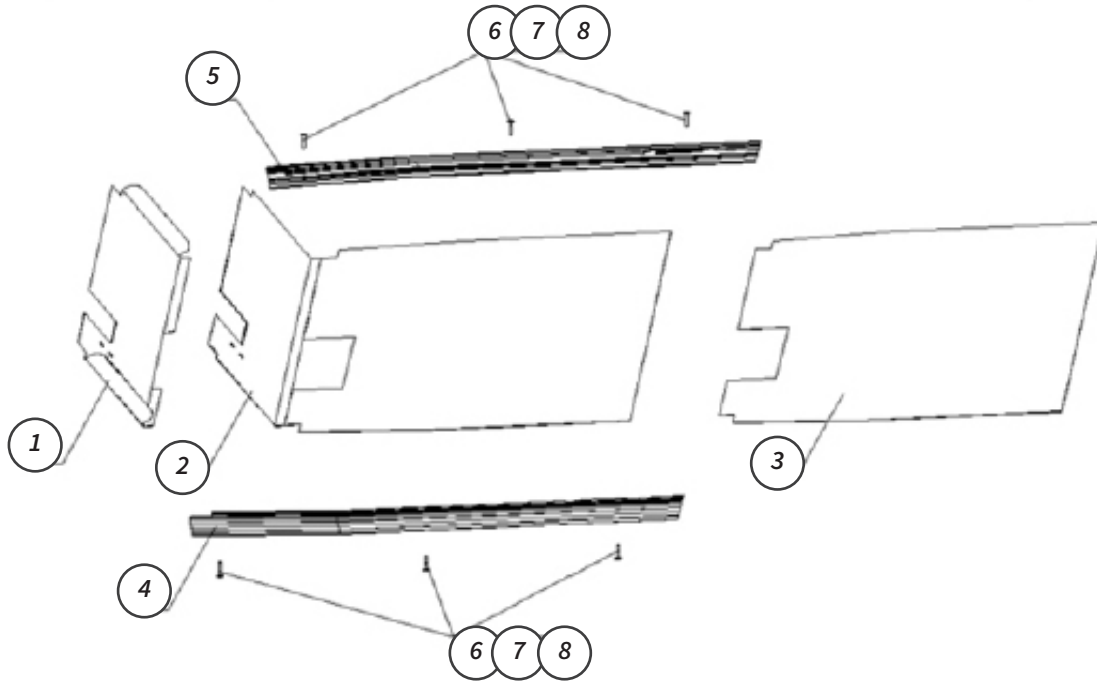


2RP760 - LED Rocker Panel - Driver Side Black with "Sirius" Logo for 2P / 2+2 SIRIUS



2RP761 - LED Rocker Panel - Passenger Side Black with "Sirius" Logo for 2P / 2+2 SIRIUS

# 15-1 Floor for 4 and 4+2



Item No.	STAR EV Part No.	Description	MPN	Qty
1		Front Firewall		1
2	2FM001	Floor Mat (2pc Set)-*SOUTHERN TIDE* for 4+2 Sirius		1
3		Floor	2300409025A00	1
4	2RP755	Rocker Panel - Driver Side for 4P/4+2 Sirius	2208200242A00	1
4.1	2RP762	LED Rocker Panel - Passenger Side BLACK with "Sirius" Logo for 4P / 4+2 Sirius	2103021463	1
5	2RP756	Rocker Panel - Passenger Side for 4P/4+2 Sirius	2208200243A00	1
5.1	2RP763	LED Rocker Panel - Passenger Side BLACK with "Sirius" Logo for 4P / 4+2 Sirius	2103021463	1
6	2WS474	Cross recess pan head screw	2200304045000	6
7	3HD841	Flat washer	2200700081000	6
8	2WS476	Hexagon lock nut with non-metallic insert	2200401001000	6



2RP762 - LED Rocker Panel - Driver Side Black with "SIRIUS" Logo for 4P / 4+2 SIRIUS



2RP763 - LED Rocker Panel - Passenger Side Black with "SIRIUS" Logo for 4P / 4+2 SIRIUS

# 16 Electric Components



Item No.	STAR EV Part No.	Description	MPN	Qty
1		Batteries, 8 x 6V Trojan T105	2100101021000	8
1-2	2AC750	Accelerator - throttle box for Sirius 2P / 2+2	2102000036000	1
1-2	2AC755	Accelerator - throttle box model WTF-1290465 Sirius 4P / 4+2	2102000036000	1
2	2BT402	Battery terminal cover, black	2301902002000	6
3	2BT404	Battery terminal cover, red	2301902001000	6
4	2MO700	Motor - ADC -ACX-3357 4KW AC MOTOR for Sirius (KDS - Sept 2018 & before)	2101903060000	1
4	2MO701	Motor(HSLT) , 4KW - for Sirius 2P / 2+2 (QDS - Mid Sept 2018 & AFTER)	2101903035000	1

4	2MO710	Motor (HSLT) , 5KW - for Sirius 4P / 4+2 (QDS™)	2101903076000	1
5	2CN700	AC 350 Controller, A 48V ONLY for SIRIUS	2101701024000	1
6	2SW290	Unique Key Switch, on/off, 10A/250V wire length 260 mm	2101500006000	1
6	2SW291	Universal Ignition switch with keys for Sirius	2101500048000	1
6-A	2WH710	Ignition and Hazard switch Wireharness for Sirius Lead Batteries ONLY	2901711211A00	1
6-B	2WH711	Ignition and Hazard switch Wireharness (4 wires) for Sirius with Lithium or Lead acid batteries		1
7	2SW430	Forward/reverse switch	2101400046000	1
8	2SW145	Fast/Slow speed switch	6101100016000	1
9	2SW701	Cigarette lighter, 12V120W with cover	2102404001000	1
10	2SW152	Backup beeper	2902400002C00	1
11	2RC065	Charger receptacle, Y-60 48V with protection switch and cover	2100600020A00	1
12	2PT700	Receptacle wire	2901702117A00	1
13	2BT140	Battery cable, 1 set	2100402485A00	1
14	2WH792	Controller cable +/-, 1 set	2901701178A00	1
15	2BT155	Motor cable, 1 set	2901706123A00	1
16	2WH701	MAIN / Control Wireharness for 2P Sirius QDS™ System (sensor pin R-Blk-W-B)	2901705239A00	1
17	2WH750	Lighting wire harness	2901704127A00	1
18	2SW590	Combination switch with 1.2m wire	2101400169000	1
19	2MT276	Display, 48V , with 1.2m wire	2100200086000	1
20	2LT740	Headlight, driver side	2100700260000	1
20.1	2LT757	3rd Generation Headlight-Driver Side Assembly for SIRIUS (DOT)	3208054349	1
20.2	2LT758	3rd Generation Headlight-PASSENGER Assembly for SIRIUS (DOT)	3208054350	1
21	2LT741	Headlight, passenger side	2100700261000	1
21.1	Hardware	Clip nut, M5	2200406029000	2
21.2	Hardware	Screw, M5 x 15, SS	1205211014000	2
21.3	3HD629	Flat washer, M6 A200 SS	2200700015000	10
21.4	3HD628	M6 clip nut, 1MM	2200406071000	8
21.5	Hardware	Screw, M6x20 A2-70 SS	2200304003000	8
22	2LT755	Taillight-Driver Side Assembly for Sirius (Rev 2 w/ textured light)		
22	2LT750	Taillight-DRIVER Side Assembly for Sirius (Rev 1 w/smooth light)	2100700262000	1
23	2LT756	Taillight-Passenger Side Assembly for Sirius (Rev 2 w/ textured light)		
23	2LT751	Taillight-PASSENGER Assembly for Sirius (Rev 1 w/smooth light)	2100700263000	1
23.1	Hardware	Hex bolt, M5		6
23.2	Hardware	Flat washer, M5		6
24	2SW700	USB port, DC12V to DC5V 2.1A x 2		1
25	2RL060	Flasher, DC12V/130W, 90±30 times/min water, vibra-tion proof, with mounting clip		1

26	2CV155	Voltage converter, DC48V-DC12V/20A, KSI control, water/vibration proof		1
27	2PG485	Charger plug, Y-60 48V 60A, no wire		1
28		AC cord, onboard option only	2100401014000	1
29	2SW055	Emergency switch, 250VAC10A, water proof	2101400157000	1
30	2SW115	Front trunk release button, $\Phi 16 \times 22$ , flat head, SS, NO, self return	2101400170000	1
31	2CV750	Dash light module, 12V, one for two lights, wire 200 mm	2101700107000	1
32	2LT790	Dash light, driver side, 12V, white, 1.1m wire	2102103006000	1
33	2LT791	Dash light, passenger side, 12V, white, 1.1m wire	2102103007000	1
34	2SW210	Horn, DC12V3A, 105dB, metal housing, w/EMARK label	2101600001000	1
35	2BI740	LED BOARD for Headlight-Driver / Passenger for Sirius	2200025399000	1
36	2MT298	SIRIUS 10.1" Display with Mounting Bracket		1



2AC750



2AC755



2WH710



2WH711



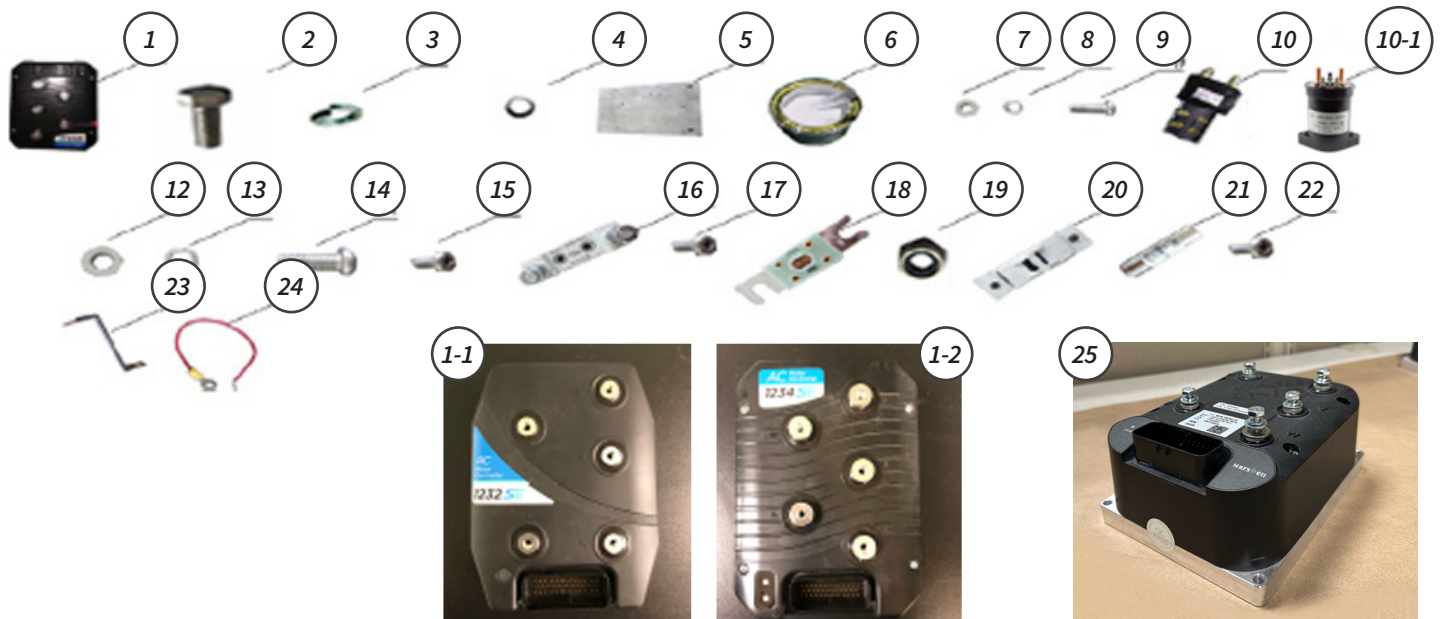
2BI740



2MT298



# 17 Controller Assembly

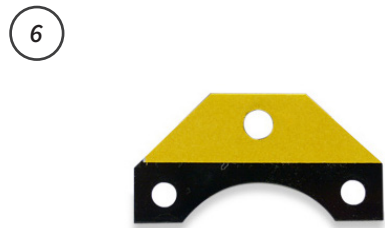
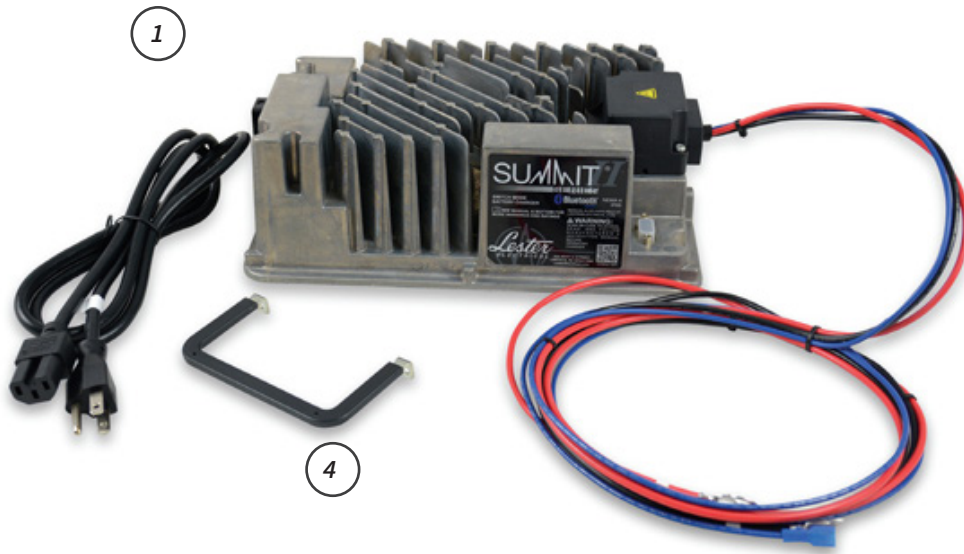


Item No.	STAR EV Part No.	Description	MPN	Qty
1-1	2CN700	1232SE-5321 , 350 A for 2 Passenger and 2+2	1232SE-5321	1
1-2	2CN710	1234SE-5421, 450 A for 4 Passenger and 4+2	1234SE-5421	1
2	Hardware	Outer hexagon bolt	1205201026000	5
3	Hardware	Spring washer	2200701010000	5
4	3HD614	Flat washer	2200700088000	5
5	2CN949	Controller mounting panel for 4P / 4+2	2209200077A00	1
5	2CN945	Controller mounting panel for 2P / 2+2	2209200064A00	1
6	2CN948	PASTE - Heat PASTE for the controller on the Sirius	9603005002000	0.01
7	Hardware	Cylindrical head socket screw	2200301048000	4
8	Hardware	Spring washer	2200701009000	4
9	Hardware	Flat washer	2200700014000	4
10	2SO090	Main contactor-SW180-108 for SIRIUS 4P/4+2	2102300015000	1
10-1	2SO045	Main contactor (JQX200-48ND) for Sirius 2P/2+2 (not 4P) or Roadster	2102300013000	1
11		DC contactor holder	2207200196C10	1
12	Hardware	Cross recess pan head screw	2200304008000	4
13	Hardware	Spring washer	2200701008000	8
14	Hardware	Flat washer	2200700009000	8
15	Hardware	Cross recess pan head screw	2200304020000	4
16	2FU174	Fuse Holder for fuse 2FU170 on Sirius 23P M-Series, AK / AP Series	1131550107000	1
17	Hardware	Cross recess pan head screw	2200304053000	2
18	3HD832	M8, hex bolt, zinc plated	2102601002000	1

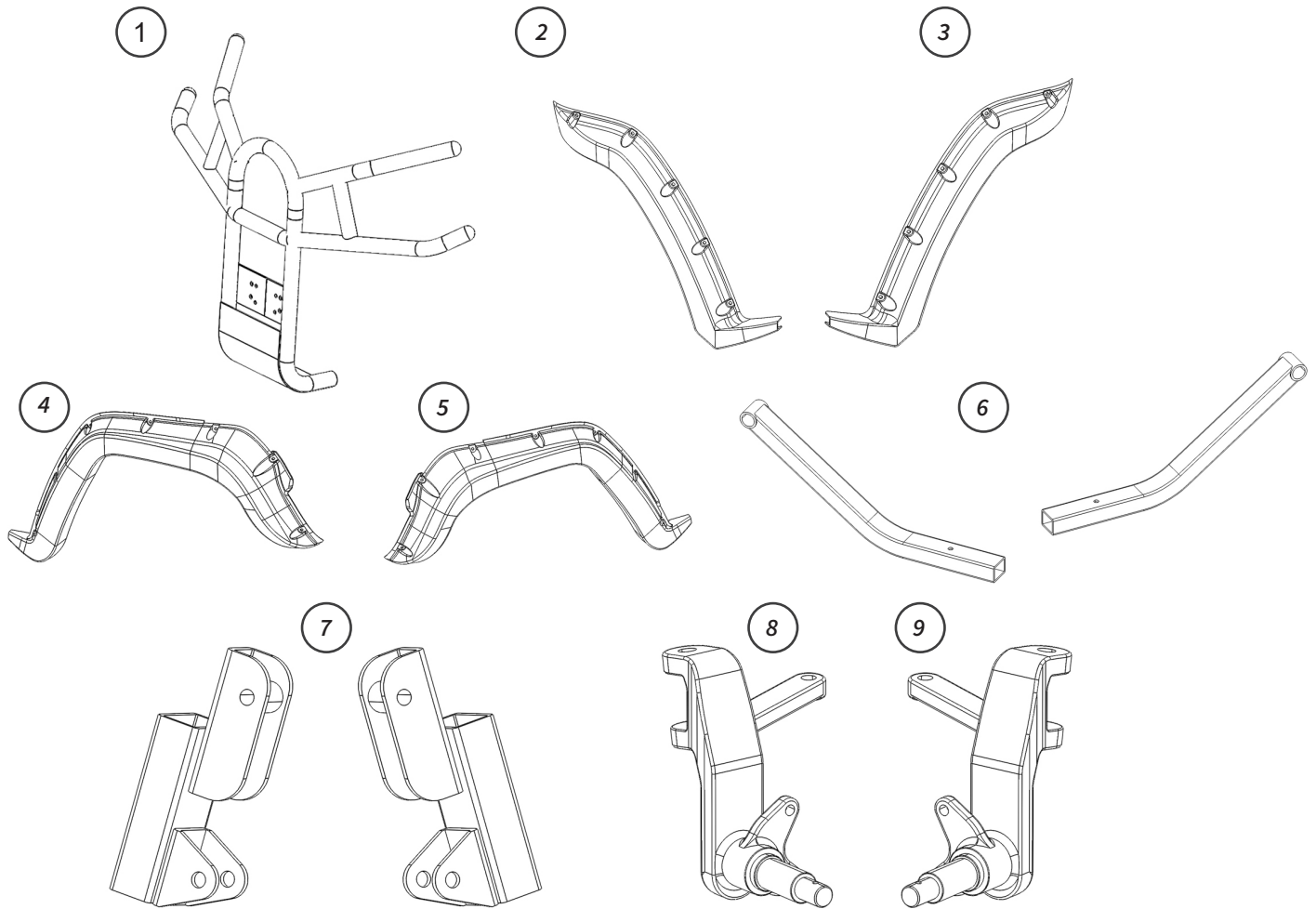
19	Hardware	Hexagon nut	2200400012000	2
20	2FU121	Fuse holder	2303400009000	1
21		Fuse protector	2102601009000	1
22	Hardware	Cross recess pan head screw	2200304067000	1
23		Conductive copper platoon	2209100055A00	1
24	Hardware	Assembly connection wire harness	2209100060A00	1
25	2CN248	Controller 48v - 350A MCX (see also 2CN240)	3203024397	1

# 18 Battery Charger

Item No.	STAR EV Part No.	Description	MPN	Qty
1	2CH000	Lester Summit II, 36-48 V, 650 W with handle	30600E05ALBS00B3	1
3	2CR052	Summit II - OFF-BOARD 9 Foot Output Cord for 48 V Lester charger including Plug	42594S	1
	2CH001	Handle Only for Lester Summit II (2CH000)	42317S	1
5	2CH911	Remote LED (on board only)		1
6	2CH916	Remote LED Mounting Plastic Plate ONLY for Lester Charger Sirius only On board.		1
7	2RC065	DC Female Receptacle for Sirius only	2100600020A00	1
8	2RC080	110v Charger Receptacle ONBOARD ONLY	3049120-041	1
9	2CR910	Cord for 110V with plug for 2P, 2+2, 4 and 4+2	2100601043000	
10	2RC900	220V AC Charger Receptacle for ONBOARD ONLY		1
11	2CR900	Charger cable 5m with G type plug ONLY for 220V AC Star Models		1



# 19 Sirius Lifted Unique Parts



Item No.	STAR EV Part No.	Description	MPN	Qty
1	2BG755	Brush Guard- Front for Sirius Lifted		1
2	2FN750	Fender Flare - Driver Side Front for Sirius Lifted	2302900015000	1
3	2FN751	Fender Flare - Passenger Side Front for Sirius Lifted	2302900016000	1
4	2FN755	Fender Flare - Driver Side Rear for Sirius Lifted	2302900017000	1
5	2FN756	Fender Flare - Passenger Side Rear for Sirius Lifted	2302900018000	1
6	2RR755	Support Swing Frame for Sirius Lifted w/ bushings & grease port	2204702003000	2
7	2SK750	Mounting Plate Rear Shock for Sirius Lifted with Hardware (driver or pass side)	2205001887000	2
8	2SP755	Spindle Only - Driver side for Sirius Lifted	2205400032A00	1
9	2SP756	Spindle Only - Passenger side for Sirius Lifted	2205400033A00	1
N/A	2RM287	12 x 7 (-43mm offset) Machined Black for Sirius Lifted		4
N/A	2TR120	23 x 10.5-12 4PR Tire 12" TWISTER for SPORT and Sirius Lifted		4
N/A	2SP702	Spindle Only - Driver side for Sirius 2P / 2+2		1
N/A	2SP703	Spindle Only - Passenger side for Sirius 2P / 2+2		1
N/A	2SP752	Spindle Only - Driver side for Sirius 4P / 4+2		1
N/A	2SP753	Spindle Only - Passenger side for Sirius 4P / 4+2		1